

WYRE 17" VESSEL

Cat. No
4-153WH



Features:

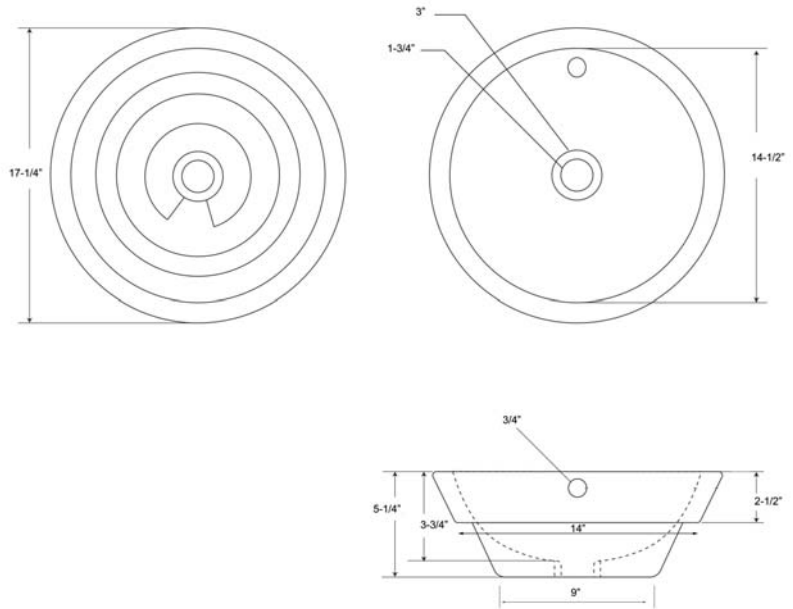
- ▶ Above counter basin
- ▶ Vitreous china for durability
- ▶ Pre-drilled overflow
- ▶ Drain not provided
- ▶ Can be used with grid drain #5600 or #57080 (Not included)

Diameter:	17- ¹ / ₄ "
Above counter height:	5- ¹ / ₄ "
Water depth to overflow:	2- ¹ / ₂ "
Base:	9"

Compliance Certification
 Meets or exceeds the following specifications: ASME A112.19.2 2018 and CSA B45.1-18 for ceramic plumbing fixtures.

Colors:
WH White

***Please do NOT drill hole without template or actual product.**



Interior Dimensions:

Basin Diameter:	14- ¹ / ₂ "
Basin Depth:	3- ³ / ₄ "
Back of basin to center of drain:	8- ⁵ / ₈ "

Dimensions of fixture are nominal and may vary within the range of tolerances established by AMSE Standard A112.19.2.2018 Dimensions and specifications subject to change without notice.