

KYNLEE UNDERMOUNT BASIN

Cat.No.
4-144WH



Drain not provided

W: 19-1/2"
D: 16-1/2"
H: 7"

Features:

- ▶ Made of Vitreous China
- ▶ Oval shape
- ▶ Pre-drilled overflow hole
- ▶ 1" Rim
- ▶ Designed for undermount installation
- ▶ Sink Clips needed (Order separately)
- ▶ For use with grid drain #5600 or #57080
- ▶ Drain not included
- ▶ Template included

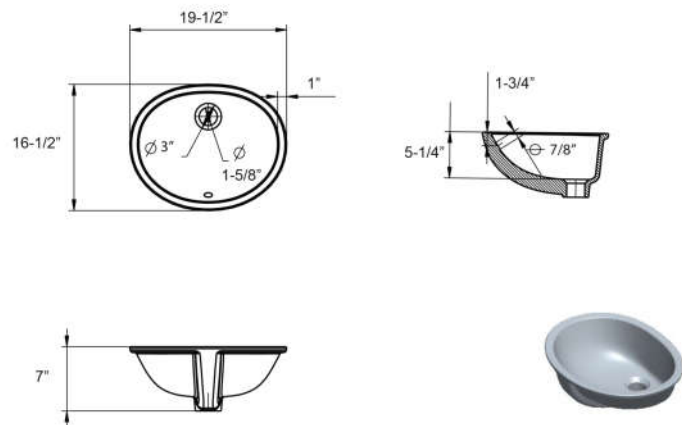
Colors:

WH White

Compliance Certification
Meets or exceeds the following specifications: ASME A112 2013 for Vitreous China fixtures.

Interior Dimensions:

Basin Interior: 17-1/4" x 14-1/8"
Basin Depth: 5-1/4"
Water depth to overflow: 3-1/2"
Drain: 1-5/8"



Dimensions of fixture are nominal and may vary within the range of tolerances established by ASME Standard A112.19.2.2013. Dimensions and specifications subject to change without notice.