

DORINDA 21" RECTANGULAR UNDERCOUNTER BASIN

Cat. No.
4-135WH



Drain not provided

W: 21-1/8"
D: 14-3/4"
H: 8-1/4"
Flange: 3-1/8" W x 1-5/8" H

Interior Dimensions:

Basin Interior: 18-1/2" x 12"
Basin Depth: 6-1/8"
Water depth to overflow: 5"

Features:

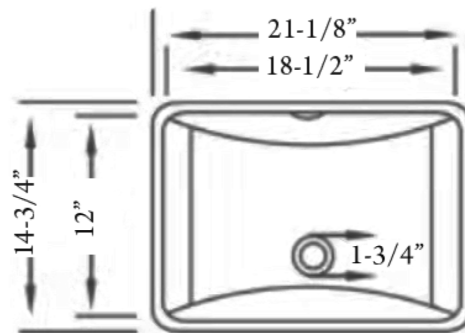
- ▶ Made of vitreous china
- ▶ Rectangular shape
- ▶ 3 Pre-drilled overflow holes
- ▶ For undercounter installation
- ▶ Sink Clips needed (Order Separately)
- ▶ For use with grid drain #5600 or #57080

Colors:

WH White

Compliance Certification

Meets or exceeds the following specifications: ASME A112.19.2 2013 and CSA B45.1-08 for Vitreous china fixtures.



Dimensions of fixture are nominal and may vary within the range of tolerances established by ASMEI Standard A112.19.2. Dimensions and specifications subject to change without notice.