

WHARTON 17" WALL-HUNG BASIN

Cat. No
4-115WH



W: 18-1/2"
D: 17-3/8"
H: 15"

Water depth 3" to overflow



Mounting hardware

***Please do NOT drill hole without
template or actual product.**

Interior Dimensions:

Basin Interior:	17-1/8" x 13-1/2"
Basin Depth:	4"
Back of basin to center of faucet:	4-1/2"
Back of basin to center of drain:	9-3/8"
Mount holes cc:	5-1/4"
Faucet hole diameter:	1-1/2"

Features:

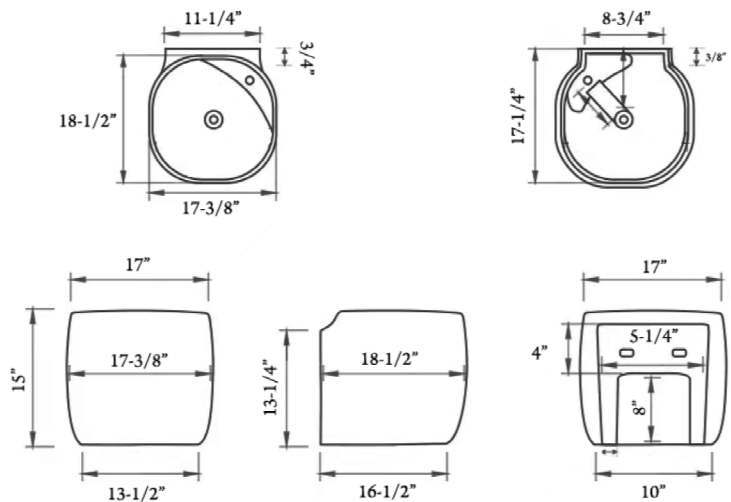
- ▶ Wall-hung basin
- ▶ Vitreous china for durability
- ▶ Pre-drilled oval overflow
- ▶ Drain not provided
- ▶ Open Back
- ▶ Pre-drilled faucet hole
- ▶ Can be used with grid drain #5600 or #5708
- ▶ Removable Chrome overflow cover included
- ▶ Mounting hardware included

Colors:

WH White

Compliance Certification

Meets or exceeds the following specifications: ASME A112.19.2 2018 and CSA B45.1-18 for ceramic plumbing fixtures.



Dimensions of fixture are nominal and may vary within the range of tolerances established by AMSE Standard A112.19.2.2018 Dimensions and specifications subject to change without notice.