

# SOPHIE 17" WALL HUNG BASIN

Cat. No  
4-1136



Faucet not included



Mounting hardware

W: 17"  
D: 12-1/4"  
H: 5-1/8"

## Interior Dimensions:

|                                    |                  |
|------------------------------------|------------------|
| Basin Interior:                    | 14-1/2" x 7-5/8" |
| Basin Depth:                       | 4-1/4"           |
| Back of basin to center of faucet: | 2-1/4"           |
| Back of basin to center of drain:  | 7-3/8"           |
| Mount holes cc:                    | 4-1/2"           |
| Faucet hole diameter:              | 1-3/8"           |

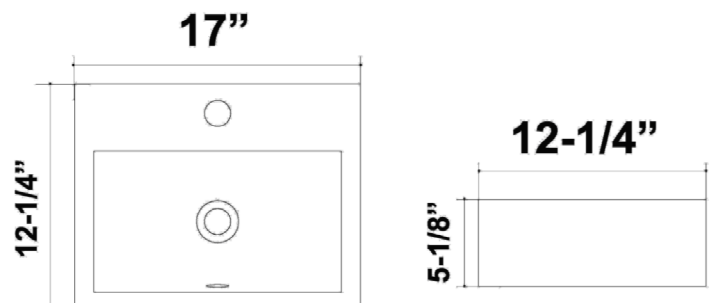
## Features:

- ▶ Rectangular wall hung basin
- ▶ Made of Vitreous China
- ▶ Pre-drilled with 1-3/8" single faucet hole
- ▶ No overflow
- ▶ Mounting hardware included
- ▶ Drain not provided

## Colors

WH White

Meets or exceeds the following specifications: ASME A112.19.2 2013 and CSA B45.1-13 for ceramic plumbing fixtures.



Dimensions of fixture are nominal and may vary within the range of tolerances established by ASME Standard A112.19.2.2013. Dimensions and specifications subject to change without notice.