

ANDELLE 16" CIRCULAR BASIN

Cat. No
4-112WH



Diameter: 16"
Height: 5-3/4"

Base: 11-5/8" x 12-3/8"

***Please do NOT drill hole without
template or actual product.**

Interior Dimensions:

Basin Interior Diameter: 15-3/4"
Basin Depth: 4-5/8"
Back of basin to center of drain: 8-3/4"

Features:

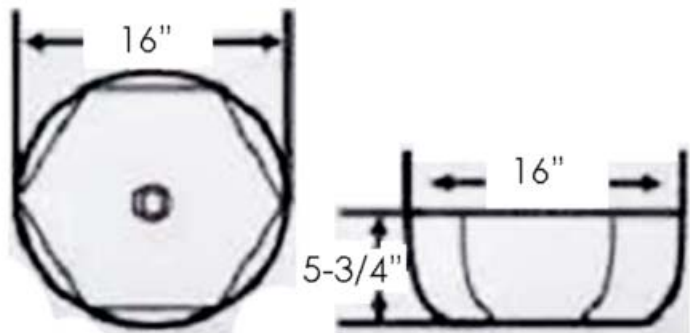
- ▶ Circular above counter basin
- ▶ Vitreous china for durability
- ▶ No overflow
- ▶ Drain not provided
- ▶ Can be used with grid drain #5601, #57100 grid drain, or umbrella drain # UD701 (Not included)

Colors:

WH White

Compliance Certification

Meets or exceeds the following specifications: ASME A112.19.2 2013 and CSA B45.1-13 for ceramic plumbing fixtures.



Dimensions of fixture are nominal and may vary within the range of tolerances established by AMSE Standard A112.19.2.2013 Dimensions and specifications subject to change without notice.