

LEEDS 25" WALL HUNG BASIN

Cat. No
4-112X



Faucet not included



Mounting hardware

W: 25-7/8"
D: 18-1/8"
H: 6"

Interior Dimensions:

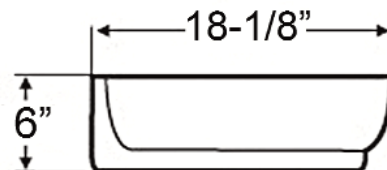
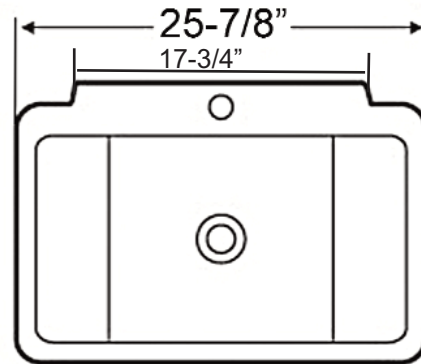
Basin Interior:	23" x 12-1/2"
Basin Depth:	4-3/4"
Back of basin to center of faucet:	2-1/2"
Back of basin to center of drain:	9-1/4"
Mount holes cc:	6-1/2"
Faucet hole diameter:	1-3/8"

Features:

- ▶ Rectangular wall hung basin
- ▶ Made of Vitreous China
- ▶ Pre-drilled with 1 hole (4-1126), 4" centerset (4-1125), and 6" mini widespread (4-1127)
- ▶ No overflow
- ▶ Mounting hardware included
- ▶ Drain not provided

Colors WH White

Meets or exceeds the following specifications: ASME A112.19.2 2018 and CSA B45.1-18 for ceramic plumbing fixtures.



Dimensions of fixture are nominal and may vary within the range of tolerances established by ASME Standard A112.19.2.2018. Dimensions and specifications subject to change without notice.