

## SPECIFICATIONS

### DESCRIPTION

- 2 check valves
- 1 - jet hand shower / scale-free
- Thermostatic coaxial cartridge with check valves
- Trim only
- RHFS, EX, SPEX - Floor-mount tub filler rough

### FLOW

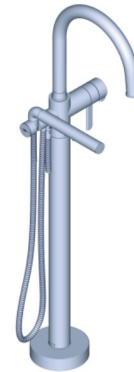
- 23 L/min, 6.0 gpm (US) 60psi

### STANDARDS

- ASME A112.18.1 / CSA B125.1
- ASSE 1016
- ADA

### WARRANTY

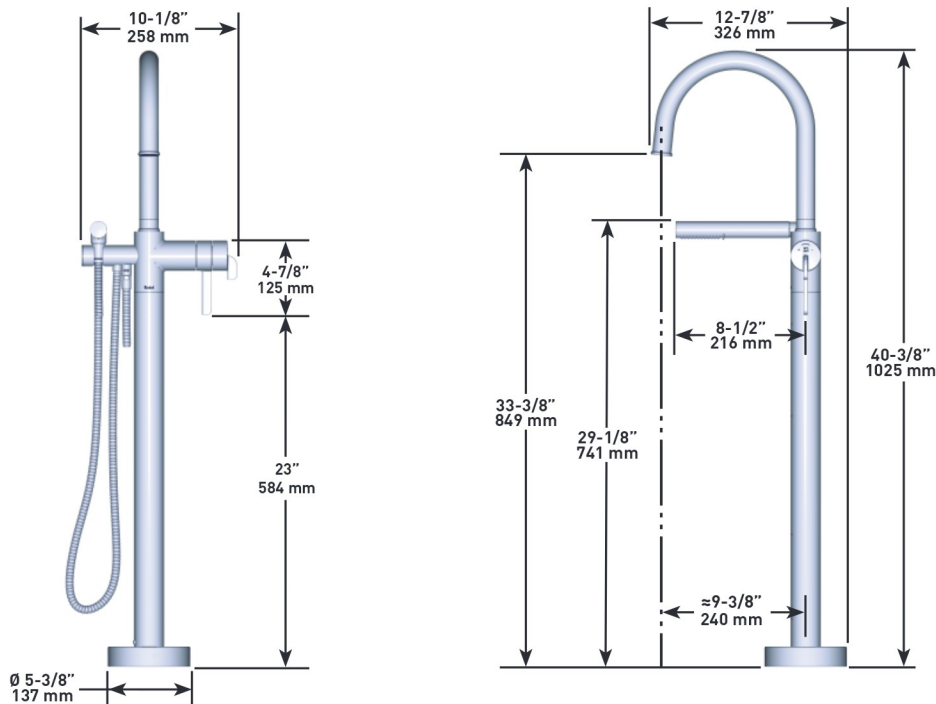
- Most products or parts carry "Limited Warranties" against manufacturing defects. For US customers please visit [houseofrohl.com/support](http://houseofrohl.com/support) and for Canadian customers please visit [houseofrohl.ca/support](http://houseofrohl.ca/support) for complete product and finish warranty.



### AUTHENTICA

2-way Type T (thermostatic) coaxial floor-mount tub filler with hand shower trim

**MODELS:** TAU39 SERIES



For warranty or additional information, contact:

U.S.A.  
[houseofrohl.com/support](http://houseofrohl.com/support)  
 1-800-777-9762

QUEBEC / MARITIMES / WESTERN CANADA  
 QUÉBEC / MARITIMES / OUEST CANADIEN  
 QUEBEC / MARITIMOS / CANADA OCCIDENTAL  
[houseofrohl.ca/support](http://houseofrohl.ca/support)  
 1-866-473-8442

ONTARIO  
[houseofrohl.ca/support](http://houseofrohl.ca/support)  
 1-800-287-5354