

1" ZINC ADJUSTABLE SHOWER ROD FLANGE

Cat. No.
360



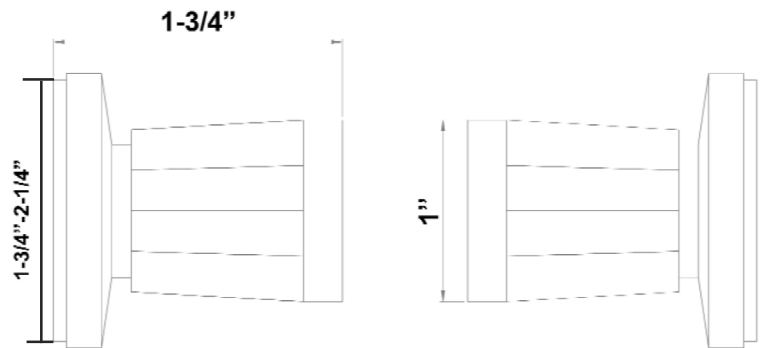
Base Diameter: 1-5/8"
Tube Diameter: 1"

Features:

- ▶ To be used with straight shower rods only
- ▶ For use with 1" shower rods
- ▶ Sold in pairs
- ▶ Available in 7 finishes
- ▶ Die cast construction
- ▶ Use of ceiling supports required

Finishes:

CP	Polished Chrome
PN	Polished Nickel
BN	Brushed Nickel
ORB	Oil Rubbed Bronze
PB	Polished Brass
MB	Black
WH	White



Dimensions are nominal and may vary. Dimensions and specifications subject to change without notice.