











33 501 660 Product version up to 1/23/2020




- 4-7/8" Projection
- US drain with overflow
- Rigid spout
- Round aerated stream
- Total height 5-1/4"
- Height to aerator/spout outlet 2"
- 1-3/8" hole diameter
- 2x 3/8" flexible supply lines
- 2 x pressure hose with 3/8" compression fitting
- Water flow rate limited to max. 1.2 gpm
- lead-free
- This product can help a building meet the requirements of Green Building Rating Systems, e.g. LEED®, BREEAM®, DGNB

(ADA)

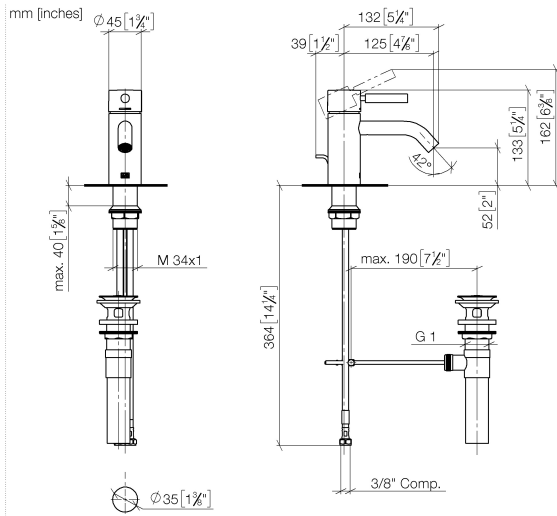
Suitable only for basins with overflow.

	Chrome	33 501 660-00 0010
	Brushed Platinum	33 501 660-06 0010
	Dark Chrome	33 501 660-19 0010
	Light gold	33 501 660-26 0010
	Brushed Light Gold	33 501 660-27 0010
	Matte Black	33 501 660-33 0010
	Brushed Dark Brass	33 501 660-39 0010
	Brushed Bronze	33 501 660-42 0010
	Brushed Chrome	33 501 660-93 0010
	Brushed Dark Platinum	33 501 660-99 0010

Recommended article

	Concealed wall elbow - •Min. rough in depth " •Max. rough in depth "	35 085 970-90 0010
---	---	-----------------------

33 501 660 Product version up to 1/23/2020



Codes & Standards

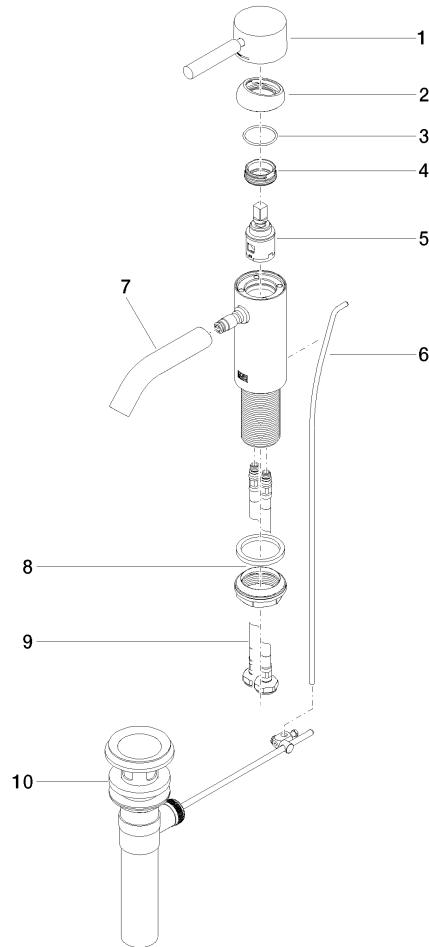
ADA	ASME A112.18.1	California Energy Commission (CEC)	cUPC
EPA WaterSense	NSF372	NSF61	WaterSense



Certificates and sustainability

IAPMO_N-4976 IAPMO_6397 IAPMO_8834 IAPMO_4976 (

33 501 660 Product version up to 1/23/2020



Spare parts list

Number	Item Number	Designation	Number of units	Lead time
	2 09 28 30 041-00	cover	1.00	10
	3 09 14 10 091 90	seal	1.00	2
	1 90 20 66 002 00-00	handle	1.00	10
	7 90 11 06 206 01-00	spout	1.00	10
	6 09 31 09 110-00	pull-rod	1.00	10
	5 90 15 05 042 00 90	cartridge	1.00	2
	9 04 30 04 102 00 90	Flexible supply line 3/8" -	2.00	2
	8 04 23 10 044 07 90	fixing set	1.00	2
	4 09 24 04 266 90	nut	1.00	2
	10 90 11 01 023 00-00	pop-up waste	1.00	10