

Features

Solid brass construction
 Euro-motion ceramic disc 40 mm valve cartridge
 9.25 gallons (35 liters) per minute spout maximum flow rate
 3/4" braided hot and cold supply lines (with 1/2" adapters)
 37.26" (94.7 cm) tub spout height at outlet
 8.73" (22.2 cm) tub spout reach (center-center)
 Contemporary handshower design of brass construction
 Floor mounting bracket with integral base and escutcheon
 ADA Compliant (Handles Only)
 1.8 GPM (6.8 LPM) Max, Handshower Only

FREESTANDING TUB FILLER

3290-4261



Codes / Standards Compliance

Meets or exceeds the following at date of manufacture:

ASME A112.18.1/CSA B125.1
 IAMPO/cUPC
 IPC
 ADA & ICC/ANSI A117.1 (Handle Only)
 Energy Policy Act of 1991
 California Energy Commission
 ASME A112.18.3 (Back Flow)
 All applicable US Federal and State material regulations
 Other: This product is NOT watersense certified

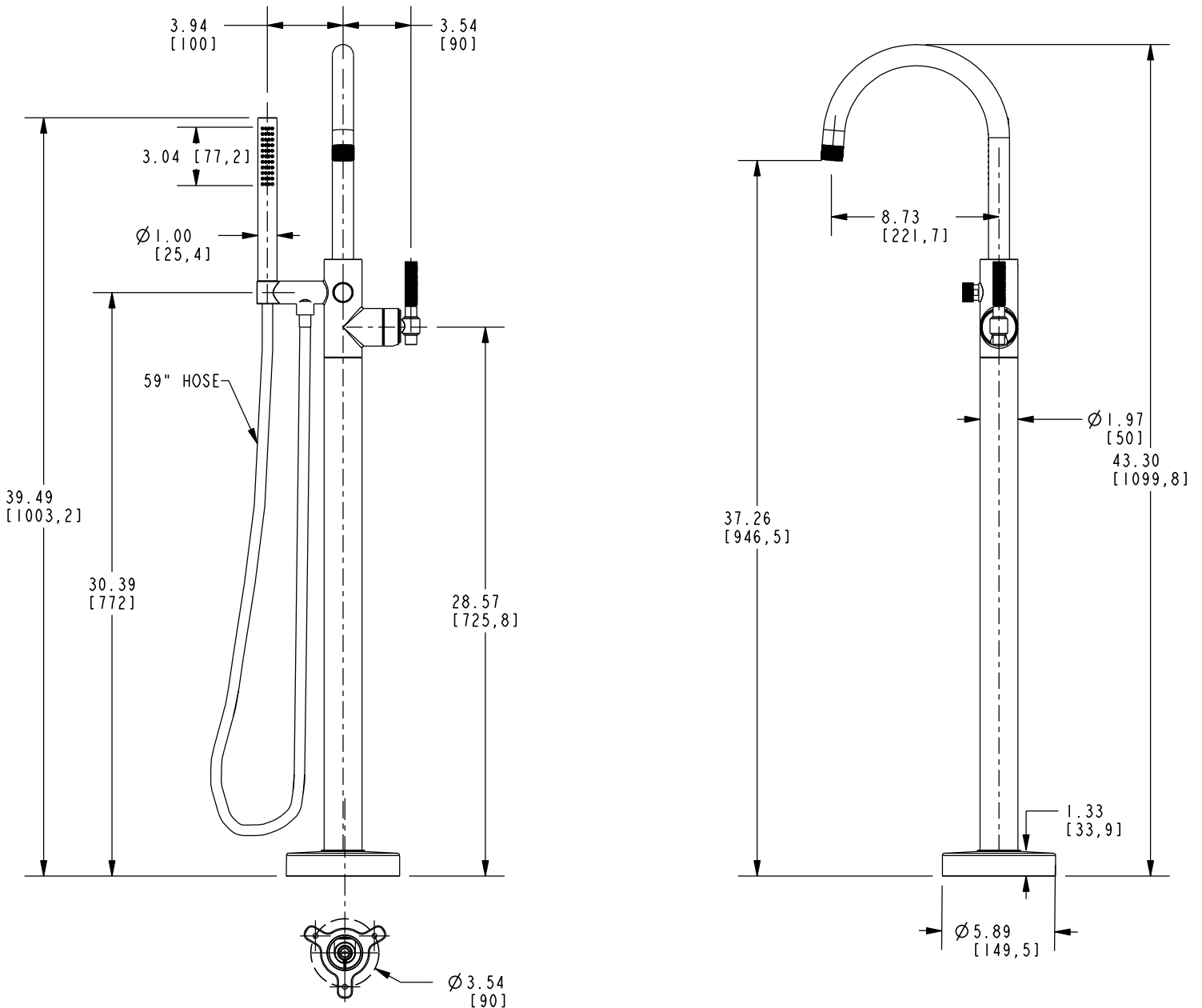


ACCESSORY OPTIONAL	
System Element	Water Supply Rough
Description	Freestanding Tub Fill Rough Kit (Floor Mount)
Inlet/Outlet Size	3/4" NPT / 3/4" NPT
Part Number	1-339
Image	

3290-4261

PRODUCT DIMENSIONS (Units are in inches)

Product Dimensions are provided for reference only. For specific product installation guidelines, please reference the Installation Instructions of the product being installed.



FREESTANDING TUB FILLER

3290-4261

Page 2 of 2

EN- 4745

REV B

NEWPORT BRASS
Flawless Beauty. From Faucet to Finish.

t: 949.417.5207 | www.newportbrass.com
©2024 Brasstech, Inc.