

Metropol Classic
Freestanding Tub Filler Trim with 1.75 GPM Handshower
 Finish: **chrome** Part no. : **31445001**



Description

Features

- Spray type hand shower: IntenseRain, Full
- Flow: 5.44 GPM (20.6 L/Min)
- Flow rate of hand shower at 3 bar: 1.75 GPM (6.6 L/Min)
- Ceramic cartridge
- Integrated double backflow prevention
- Deck mounted

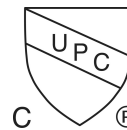
Item details

List Price \$ 2,674.00

Technology



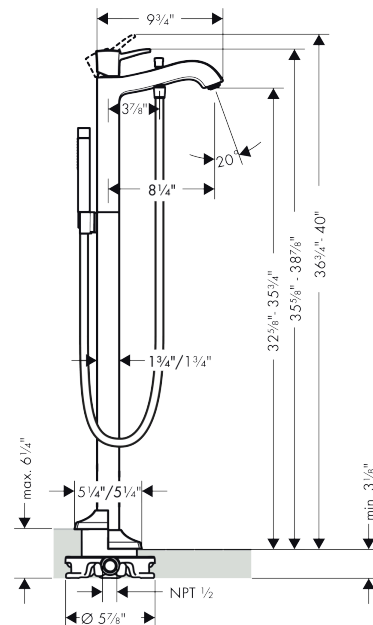
Compliance / Sustainability



Product image



Scale drawing

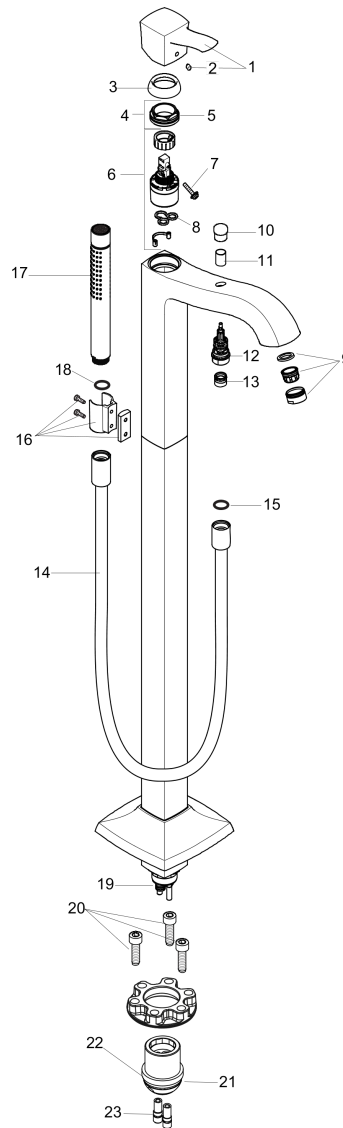


Metropol Classic
Freestanding Tub Filler Trim with 1.75 GPM Handshower
 Finish: **chrome** Part no. : **31445001**



Exploded drawing

Year of production: >01/19



Metropol Classic
Freestanding Tub Filler Trim with 1.75 GPM Handshower
 Finish: **chrome** Part no. : **31445001**



Spare parts list

Year of production: >01/19

Pos.	Description	Part no.	Price	PU
1	handle	92817000	-	1
2	screw cover	96338000	-	1
3	flange	97406000	-	1
4	nut	97209000	-	1
5	O-Ring 32x2	98193000	-	1
6	cartridge, assy	92730000	-	1
7	locking screw for handle	95140000	-	1
8	seal	95008000	-	1
9	aerator M24x1 (30 l/min)	96512000	-	1
10	diverter knob	97981000	-	1
11	sleeve	97979000	-	1
12	selector	97978000	-	1
13	set of non return valves DW 15	94074000	-	1
14	shower hose 1,25 m	28282000	-	1
15	seal	98058000	-	1
16	shower holder, assy	96295000	-	1
17	handshower	04486000	-	1
18	filter packing	94246000	-	1
19	O-ring 9x1,5	98117000	-	1
20	hexagon socket screw M10x35	97670000	-	1
21	O-ring 29x3	98371000	-	1
22	O-ring 44x2,5	98162000	-	1
23	O-ring 7x2	98419000	-	1
a	extension set 60 mm	97686000	-	1