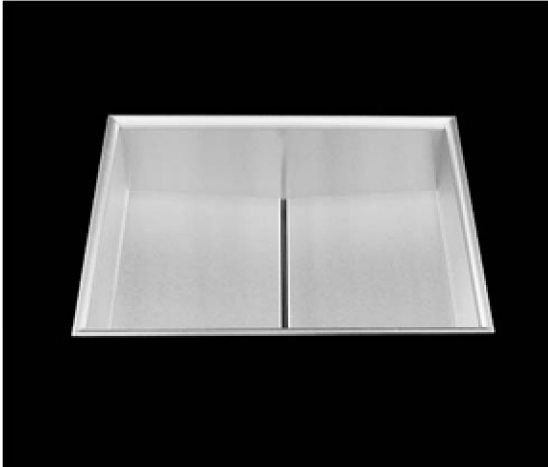
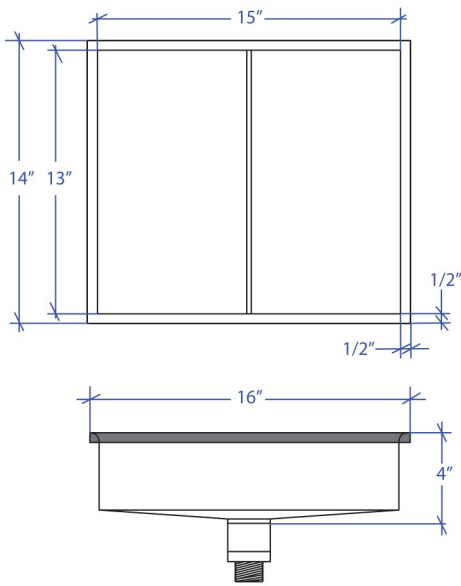


# CRESCENT MCFB-301SB



\*ADA compliant



## • FEATURES

- 16-gauge type 304 stainless steel
- Stainless steel rim support tubing
- 1/4" round rim and basin design

## • TECHNICAL INFORMATION

- External dimension: 16"Lx14"Wx4"D
- Basin dimensions: 15"Lx13"Wx4"D
- Rim width: 3/4"
- Rim thickness: 5/16"

## • FINISHES

- Satin Brushed stainless steel

## • INSTALLATION OPTIONS

- Flush-mount

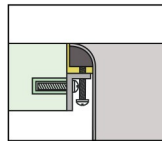
## • MINIMUM CABINET SIZE (I.D.)

- Flush-mount 19"

## • INDUSTRY'S ONLY STAINLESS STEEL SINK DESIGNED SPECIFICALLY TO BE FLUSH-MOUNTED

## • INTERNATIONAL PATENT PENDING

## • FLUSH-MOUNT INSTALLATION



Flush-mount

## • ACCESSORIES



Flush Mount Kit  
(Included)  
MTK-301 AL

### PROJECT INFORMATION

Project			
Date	/	/	QTY
Specifier			
Contact			
Note			