

ILLUSION 650 PEDESTAL LAVATORY

Cat. No.
3-741WH



Faucet not included

W: 25-³/₄"
D: 17-³/₈"
H: 34-³/₄"

Column Dimensions

Length from wall to back of column: 5-³/₄"
Top of column: 6-¹/₄" x 7"
Bottom of column: 5-¹/₄" x 6"
Column height: 29-¹/₄"

Interior Dimensions:

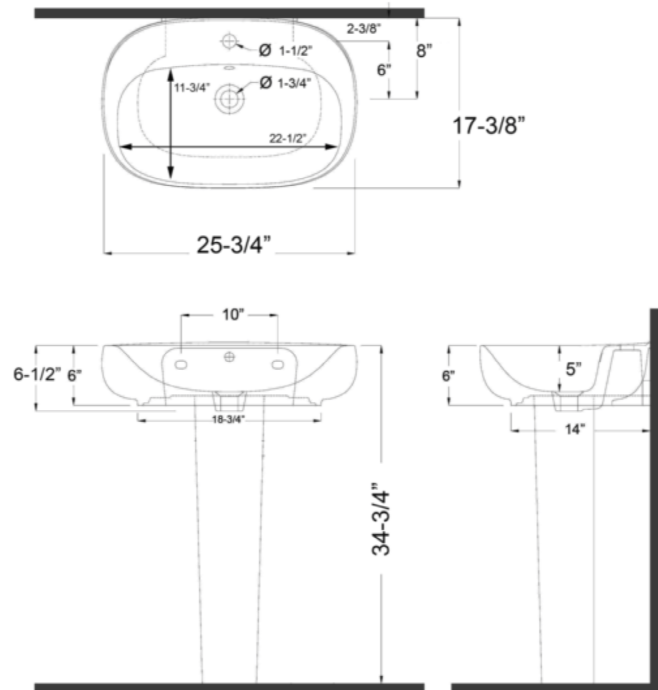
Basin Interior: 22-¹/₂" x 11-³/₄"
Basin Depth: 5"
Water depth to overflow: 2-¹/₂"
Back of basin to center of faucet: 2-³/₈"
Back of basin to center of drain: 8"
Mount bolts height: 32-⁵/₈"
Mount holes cc: 10"
Faucet and spout holes: 1-¹/₂"
Drain hole: 1-³/₄"
Flange: 2-³/₄" W x 4-¹/₄" D x 1/2 H

Features:

- ▶ Made of Vitreous China
- ▶ Available pre-drilled for single hole (**3-741WH**), 4" mini widespread (**3-744WH**) and 8" widespread faucet (**3-748WH**)
- ▶ Pre-drilled overflow
- ▶ Back of column is open
- ▶ Bottom of column is open
- ▶ Use with grid drain 5600 or 57080
(NOT INCLUDED)
- ▶ Mounting hardware included (T801A)

Colors:

White



Dimensions of fixture are nominal and may vary within the range of tolerances established by ASME Standard A112.19.2.2018. Dimensions and specifications subject to change without notice.