

# ILLUSION 550 PEDESTAL LAVATORY

Cat. No.  
3-721WH



Faucet not included

W: 21-<sup>3</sup>/<sub>4</sub>"  
D: 17-<sup>1</sup>/<sub>8</sub>"  
H: 35-<sup>1</sup>/<sub>8</sub>"

## Column Dimensions

Length from wall to back of column: 6-<sup>3</sup>/<sub>4</sub>"  
Top of column: 6-<sup>1</sup>/<sub>4</sub>" x 7"  
Bottom of column: 5-<sup>1</sup>/<sub>4</sub>" x 6"  
Column height: 29-<sup>1</sup>/<sub>4</sub>"

## Interior Dimensions:

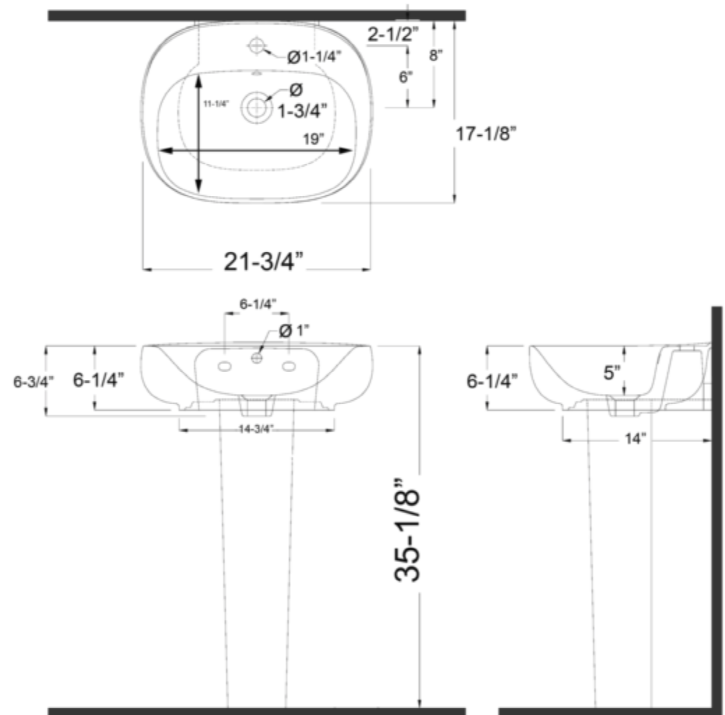
Basin Interior: 19" x 11-<sup>1</sup>/<sub>4</sub>"  
Basin Depth: 5"  
Water depth to overflow: 2-<sup>3</sup>/<sub>4</sub>"  
Back of basin to center of faucet: 2-<sup>1</sup>/<sub>2</sub>"  
Back of basin to center of drain: 8"  
Mount bolts height: 32-<sup>7</sup>/<sub>8</sub>"  
Mount holes cc: 6-<sup>1</sup>/<sub>4</sub>"  
Faucet and spout holes: 1-<sup>1</sup>/<sub>4</sub>"  
Drain hole: 1-<sup>3</sup>/<sub>4</sub>"  
Flange: 3" W x 5" D x <sup>1</sup>/<sub>2</sub>" H

## Features:

- ▶ Made of Vitreous China
- ▶ Available pre-drilled for single hole (3-721WH), 4" centerset (3-724WH)
- ▶ Pre-drilled overflow
- ▶ Back of column is open
- ▶ Bottom of column is open
- ▶ Use with grid drain 5600 or 57080 (NOT INCLUDED)
- ▶ Mounting hardware included (T801A)

## Colors:

White



Dimensions of fixture are nominal and may vary within the range of tolerances established by ASME Standard A112.19.2.2018. Dimensions and specifications subject to change without notice.