

ETHAN PEDESTAL LAVATORY

Cat. No.
3-302X



Faucet not included



Mounting hardware

W: 26-1/2"
D: 21-1/8"
H: 36-3/8"

Column: 28" L x 8-1/8" W x 5-3/4" D
Water depth 3-1/4" to overflow

Interior Dimensions:

Basin Interior: 17-3/8" x 10-3/8"
Basin Depth: 6"
Mount bolts height: 33-5/8"
Mount holes cc: 5-1/2"
Faucet and spout holes: 1-3/8"
Drain hole: 1-7/8"

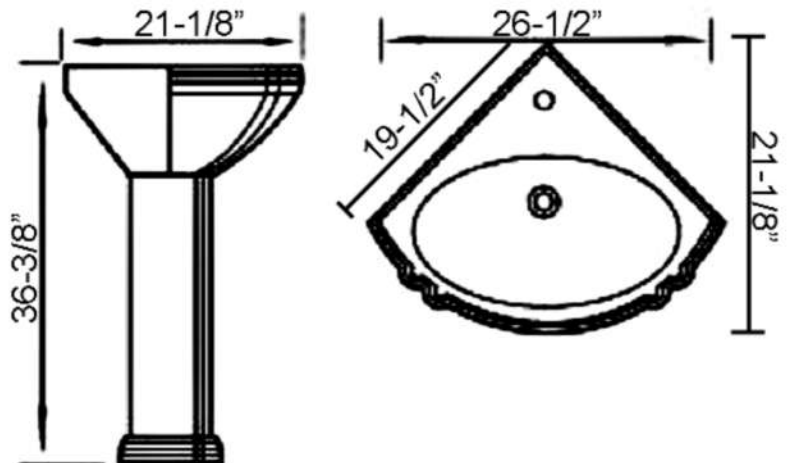
Features:

- ▶ Made of vitreous china
- ▶ Designed for corner installation
- ▶ Mounting hardware included
- ▶ Available with 1 faucet hole
- ▶ Pre-drilled overflow
- ▶ IAPMO Certified



Colors:
White

Compliance Certification
Meets or exceeds the following specifications: ASME 12.19.2.2018 for vitreous china fixtures.



Dimensions of fixture are nominal and may vary within the range of tolerances established by ASME Standard A112.19.2.2018. Dimensions and specifications subject to change without notice.