

ANDERS PEDESTAL LAVATORY

Cat. No.
3-300X



Faucet not included



Mounting hardware

W: 34-1/2"
D: 22-5/8"
H: 33-1/2"

Column: 24-3/8" H x 10-1/2" W x 8-1/2"D

Interior Dimensions:

Basin Interior: 18-1/4" x 13-3/8"
Basin Depth: 7"
Water depth to overflow: 5"
Back of basin to center of drain: 9-3/4"
Back of basin to center of faucet: 2-5/8"
Mount bolts height: 28-1/2"
Mount holes cc: 24"
Faucet and spout holes: 1-1/4"
Drain hole: 1-3/4"

Features:

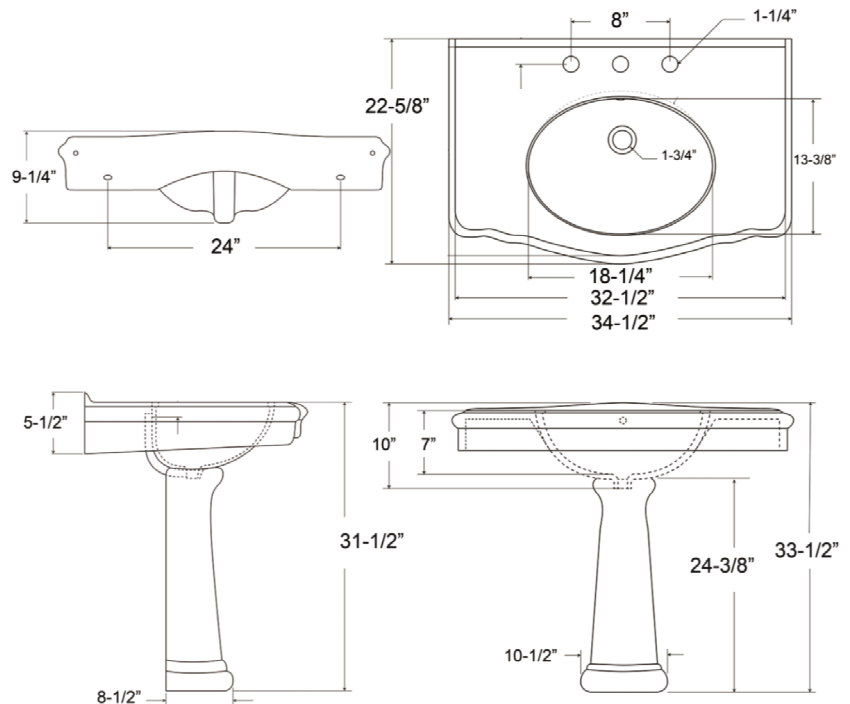
- ▶ Made of vitreous china
- ▶ Mounting hardware included
- ▶ Available pre-drilled for single hole (3-3001), 4" centerset (3-3004), or 8" widespread (3-3008) faucet
- ▶ Pre-drilled overflow
- ▶ IAPMO approved

Colors:

White

Compliance Certification

- Meets or exceeds the following specifications: ASME 12.19.2.2018
- for vitreous china fixtures.



Dimensions of fixture are nominal and may vary within the range of tolerances established by ASME Standard A112.19.2.2018. Dimensions and specifications subject to change without notice.