

27 812 660 Product version from 9/1/2025



Fits: TARA, VAIA, META

- COMPACT RAIN, flow rate max. 1.8 gpm (at 3 bar)
- Function from: 1.3 gpm
- Internal back flow preventer
- Descaling system
- Metal shower hose 49-1/4" with anti-twist device

Technical data:

- Flange diameter 2-3/8"
- 1/2" connection

Notes:

- This product reduces water consumption by 47% (compared to requirements of EPAct '92)
- This product contributes to meeting the requirements of the LEED® Green Building Rating
- This product can help a building meet the requirements of Green Building Rating Systems, e.g. LEED®, BREEAM®, DGNB

	Chrome	27 812 660-00 0010
	Brushed Platinum	27 812 660-06 0010
	Platinum	27 812 660-08 0010
	Dark Chrome	27 812 660-19 0010
	Light Gold (PVD)	27 812 660-26 0010
	Brushed Light Gold (PVD)	27 812 660-27 0010
	Brushed Durabronze (23kt Gold)	27 812 660-28 0010
	Matte Black	27 812 660-33 0010
	Brushed Gold (PVD)	27 812 660-37 0010
	Brushed Dark Brass (PVD)	27 812 660-39 0010
	Brushed Bronze (PVD)	27 812 660-42 0010
	Brushed Dark Bronze (PVD)	27 812 660-43 0010
	Brushed Champagne (22kt Gold)	27 812 660-46 0010
	Champagne (22kt Gold)	27 812 660-47 0010
	Brushed Chrome	27 812 660-93 0010
	Brushed Dark Platinum	27 812 660-99 0010

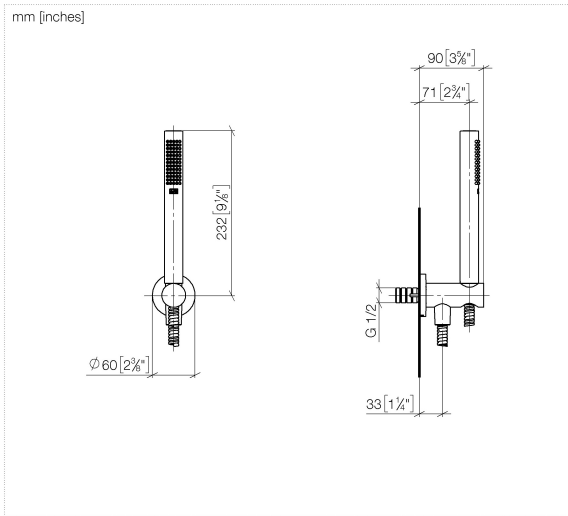
Recommended article

Rough-in adapter -

35 080 970-90
0010



27 812 660 Product version from 9/1/2025



Codes & Standards

ASME A112.18.1

cUPC

EPA WaterSense

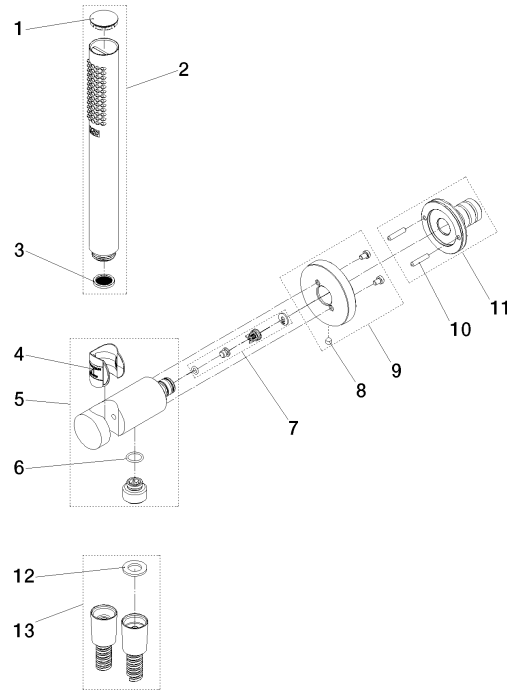
WaterSense



Certificates and sustainability

IAPMO_4976 (

IAPMO_11777



Spare parts list

Number	Item Number	Designation	Number of units	Lead time
10	90 24 03 325 00 90	nipple	1.00	2
7	90 23 01 131 00 90	back-flow preventer	1.00	2
9	90 27 66 029 00-00	rosette	1.00	10
11	04 31 11 115 00 90	pin	1.00	2
1	09 21 02 170-00	cap	1.00	10
4	09 18 40 216 90	sleeve	1.00	2
12	90 14 20 026 00 90	seal	1.00	2
5	90 11 03 137 00-00	connection	1.00	10
6	09 14 10 213 90	seal	1.00	2
8	90 31 11 112 00 90	pin	1.00	2
3	09 23 01 039 90	sieve	1.00	2
2	90 12 11 140 41-00	shower	1.00	10
13	90 30 02 008 00-00	hose	1.00	10