

SPECIFICATIONS

DESCRIPTION

- Trim only
- RHTB, RHTB-SPEX or RHTB-EX rough required to complete
- Ceramic cartridge
- 1-Jet hand shower/scale free

FLOW

- 23 L/min, 6.0 gpm (US) 60psi

STANDARDS

- ASME A112.18.1 / CSA B125.1
- ADA

WARRANTY

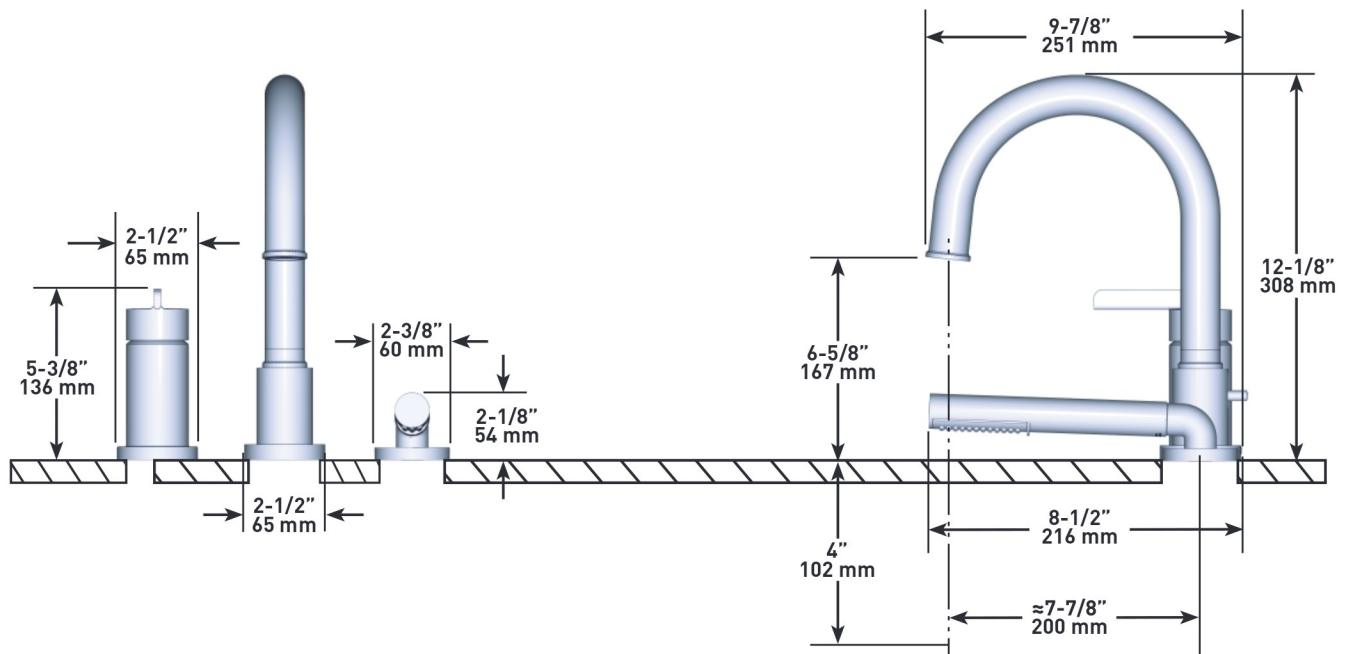
- Most products or parts carry "Limited Warranties" against manufacturing defects. For US customers please visit houseofrohl.com/support and for Canadian customers please visit houseofrohl.ca/support for complete product and finish warranty.



AUTHENTICA

3-piece Type P (pressure balance) deck-mount tub filler with hand shower trim

MODELS: TAU16 SERIES



For warranty or additional information, contact:

U.S.A.
houseofrohl.com/support
 1-800-777-9762

QUEBEC / MARITIMES / WESTERN CANADA
 QUÉBEC / MARITIMES / OUEST CANADIEN
 QUEBEC / MARITIMOS / CANADA OCCIDENTAL
houseofrohl.ca/support
 1-866-473-8442

ONTARIO
houseofrohl.ca/support
 1-800-287-5354