






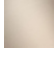


CL.1 Lavatory spout, deck-mounted without drain - Chrome

CL.1

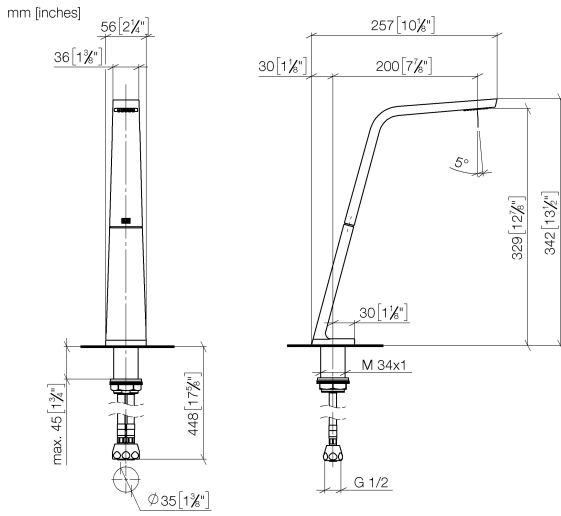
13 717 705



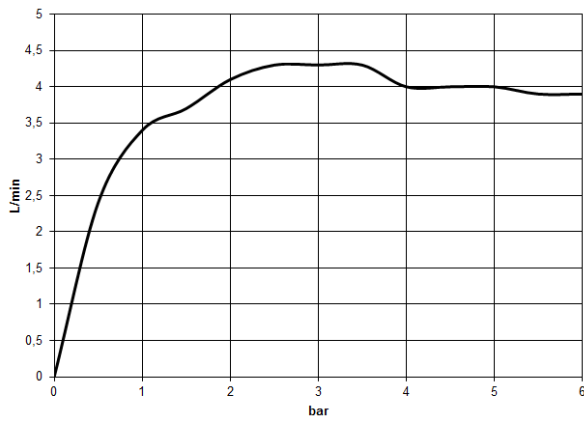
- 7-7/8" Projection
- Rigid spout
- Rectangular aerator with 40 individual streams
- Total height 13-1/2"
- Height to aerator/spout outlet 13"
- 1-3/8" hole diameter
- Water flow rate limited to max. 1.1 gpm
- 1/2" connection
- 2x 3/8" flexible supply lines
- lead-free
- This product can help a building meet the requirements of Green Building Rating Systems, e.g. LEED®, BREEAM®, DGNB

	Chrome	13 717 705-00
	Brushed Platinum	13 717 705-06
	Dark Chrome	13 717 705-19
	Brushed Champagne (22kt Gold)	13 717 705-46
	Champagne (22kt Gold)	13 717 705-47
	Brushed Dark Platinum	13 717 705-99

13 717 705



Flow rate chart



Codes & Standards

ASME
A112.18.1/CSA
B125.1

California Energy
Commission
(CEC)

NSF/ANSI 372

NSF/ANSI/CAN
61

Water Sense





CL.1 Lavatory spout, deck-mounted without drain - Chrome

CL.1

13 717 705

Certificates

LGA_28

GDV_0400

IAPMO_N-4

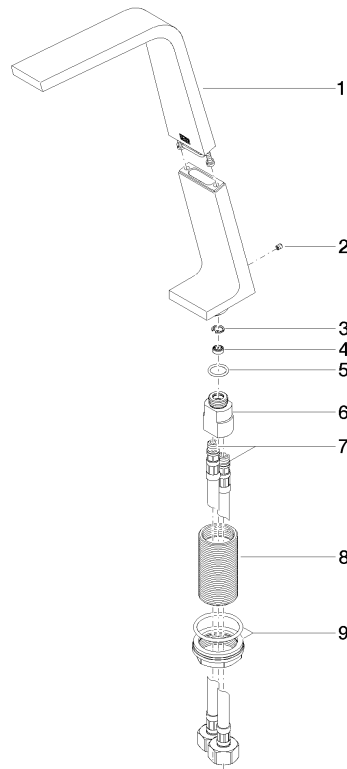
IAPMO_8834

WRAS_1512

IAPMO_6

IAPMO_4976

13 717 705



Spare parts list

Number	Item Number	Designation	Number of units	Lead time
1	90 11 70 003 00-00	Outlet complete 45 x 100 x 213 mm - Chrome	1	10
2	09 31 11 044 90	Mounting bracket Threaded pin With hex socket With cup point M4 x 5 mm -	1	2
3	09 16 01 016 90	Ring Retaining ring Ø 10 x 1 mm -	1	2
4	09 23 01 034 90	Flow limiter white 1.1 gpm -	1	2
5	09 14 10 130 90	O-Ring EPDM 70 14,0 x 2,00 mm -	1	2
6	09 11 10 055 10 90	Connection 19 x 35 x 26 mm -	1	2
7	04 30 04 019 00 90	Flexible supply line With union nut M10x1 x 1/2" x 420 mm -	2	2
8	09 30 01 208 90	Connection Ø 34 x 65 mm -	1	2
9	04 23 10 044 06 90	Mounting bracket With seals M34 x 1 -	1	2