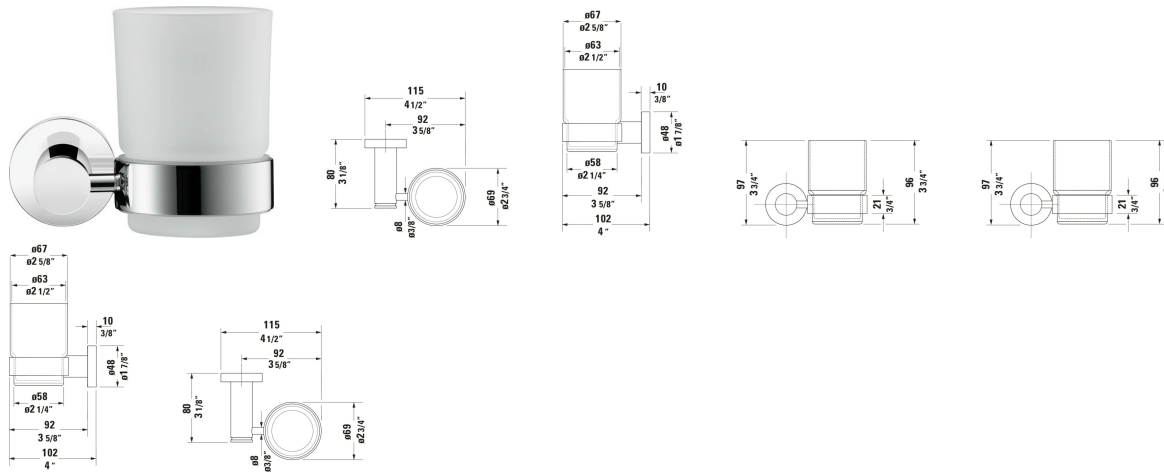


D-Code Toothbrush Holder # 009920..00 / 009920..00

| < Ø 2 3/4 " > |



| Toothbrush Holder | Dimension | Weight | Order number |
|---|-----------------|----------|--------------|
| Accent color: White Matte, Material: Opal glassBrass, Fixation type: Screw mounting, Installation Type: Wall-mounted, Position toothbrush holder: Right | | | |
| Colors | | | |
| 10 Chrome 46 Black Matte | | | |
| Variant | | | |
| Chrome | 4 5/8 "x3 7/8 " | 1.345 lb | 009920..00 |
| Black Matte | 4 5/8 "x3 7/8 " | 1.345 lb | 009920..00 |

All drawings contain the necessary measurements which are subject to standard tolerances. They are stated in inch & mm and are non-binding. Exact measurements, in particular for customized installation scenarios, can only be taken from the finished ceramic piece.