

# artos<sup>®</sup>

## C06090P

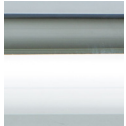
## INSTALLATION GUIDE

cadiz towel warmer,  
plug-in

BRUSHED NICKEL(BN)



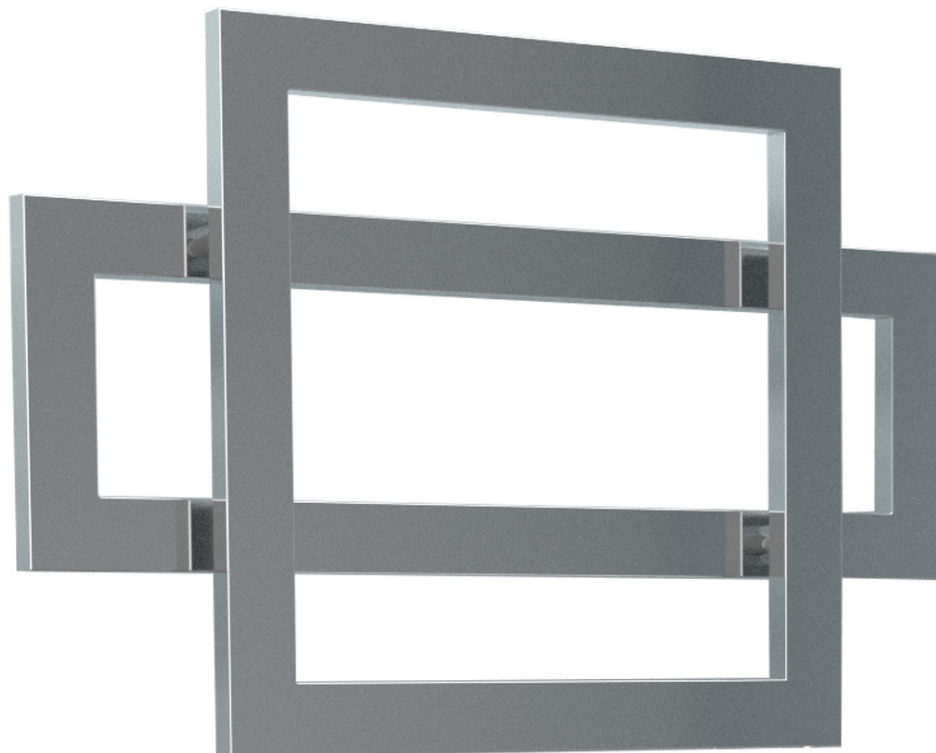
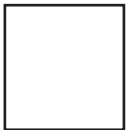
CHROME(CH)



BLACK(BK)



WHITE(WH)

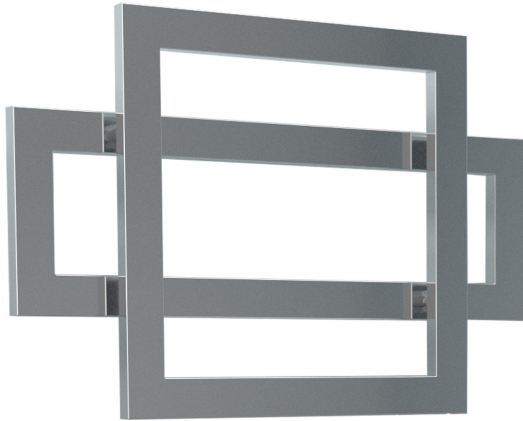


# artos<sup>®</sup>

C06090P

## OPERATING SPECIFICATIONS

cadiz towel warmer,  
plug-in



### FEATURES

Towel warming, drying and auxiliary heating.

### ELEMENT

300W, 110V

### CODES

UL Approved  
CSA-US Approved

### REQUIREMENTS

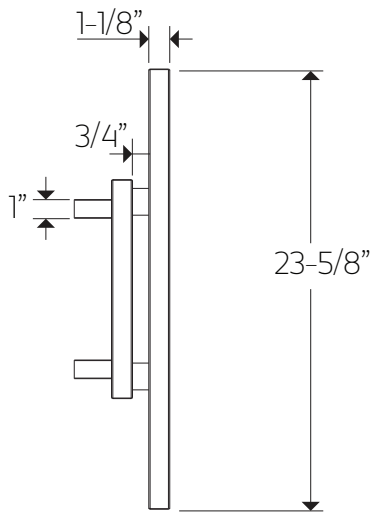
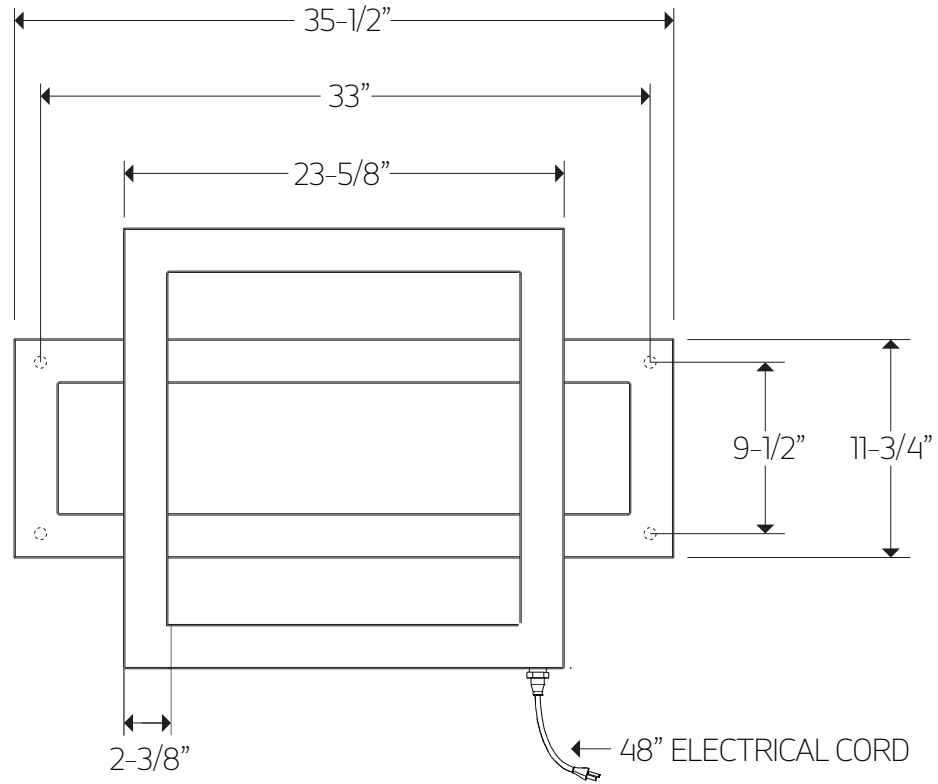
The towel warmer must be installed so that the Element is at the bottom.

# artos<sup>®</sup>

C06090P

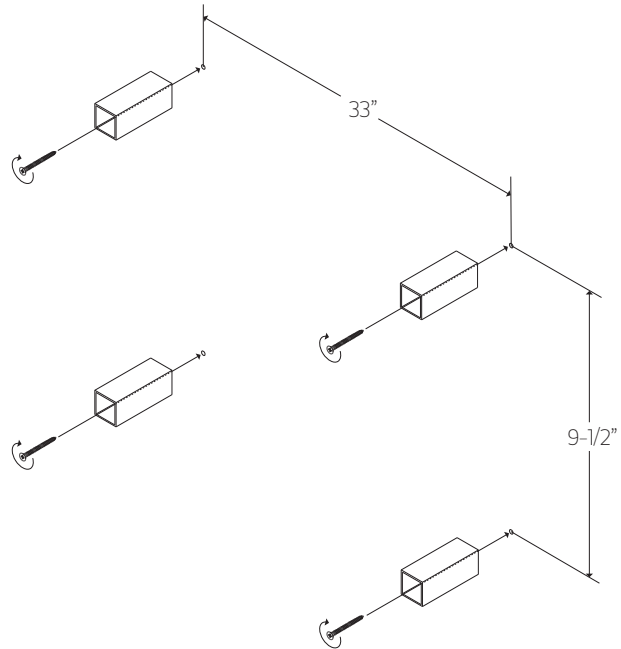
cadiz towel warmer,  
plug-in

## PRODUCT DIMENSIONS



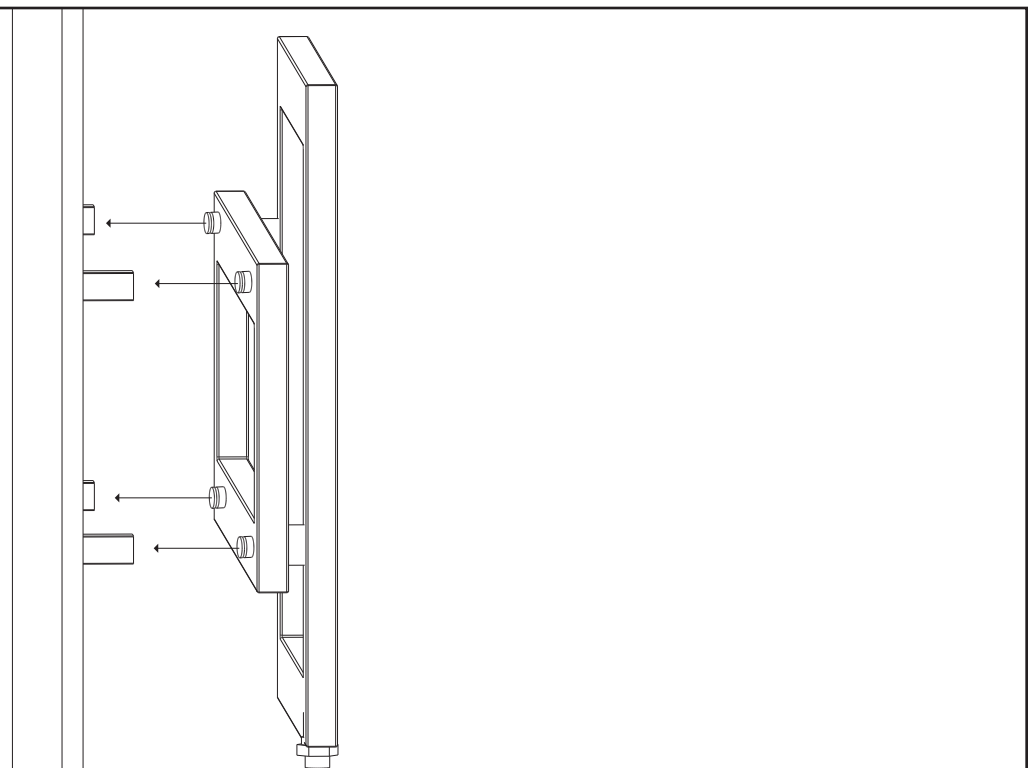
### STEP 1

**\*ALL DIMENSIONS ARE APPROXIMATE. PLEASE MEASURE UNIT BEFORE INSTALLATION**



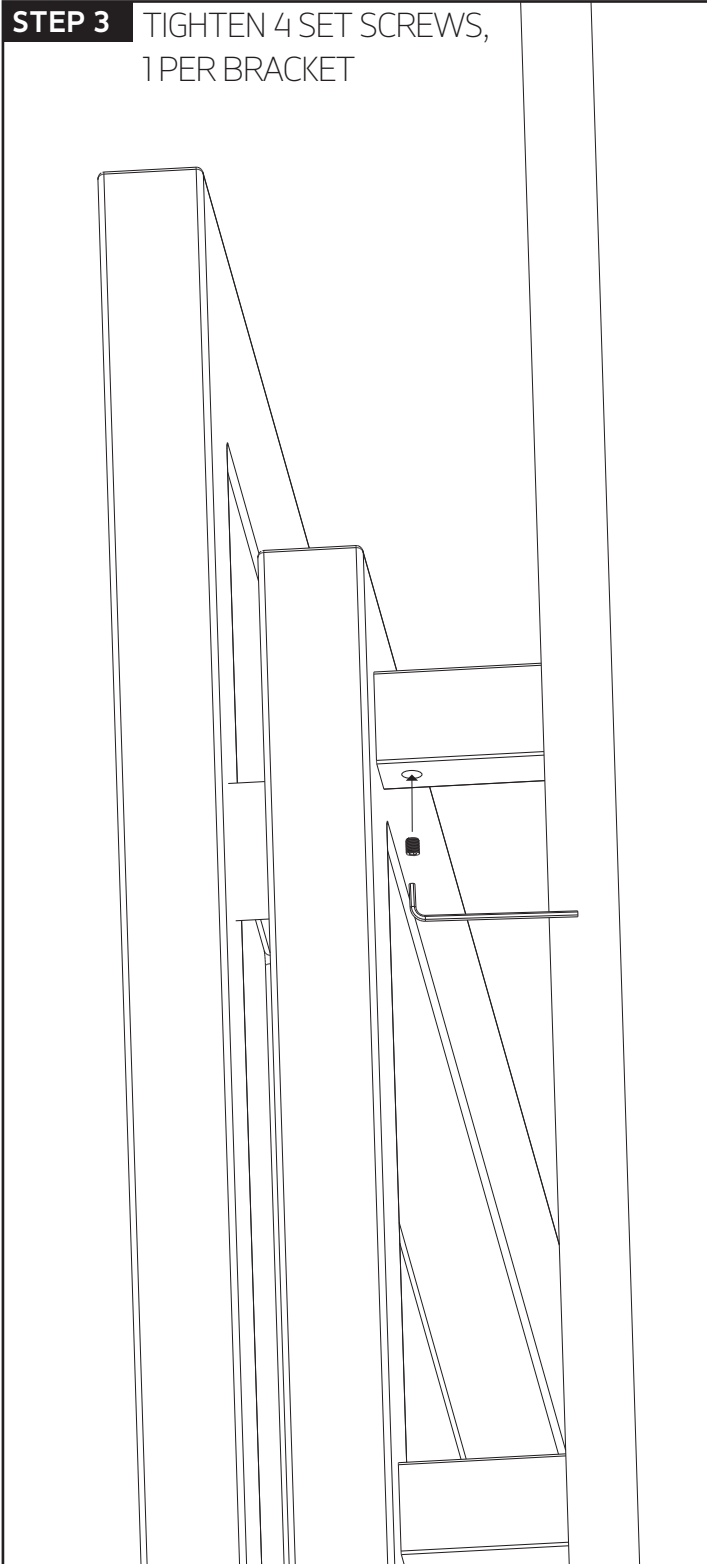
WE RECOMMEND THAT  
AT LEAST 2 OF THE  
WALL BRACKETS ARE  
SECURED INTO A STUD  
OR BACKER

### STEP 2



# INSTALLATION STEPS

**STEP 3** TIGHTEN 4 SET SCREWS,  
1 PER BRACKET

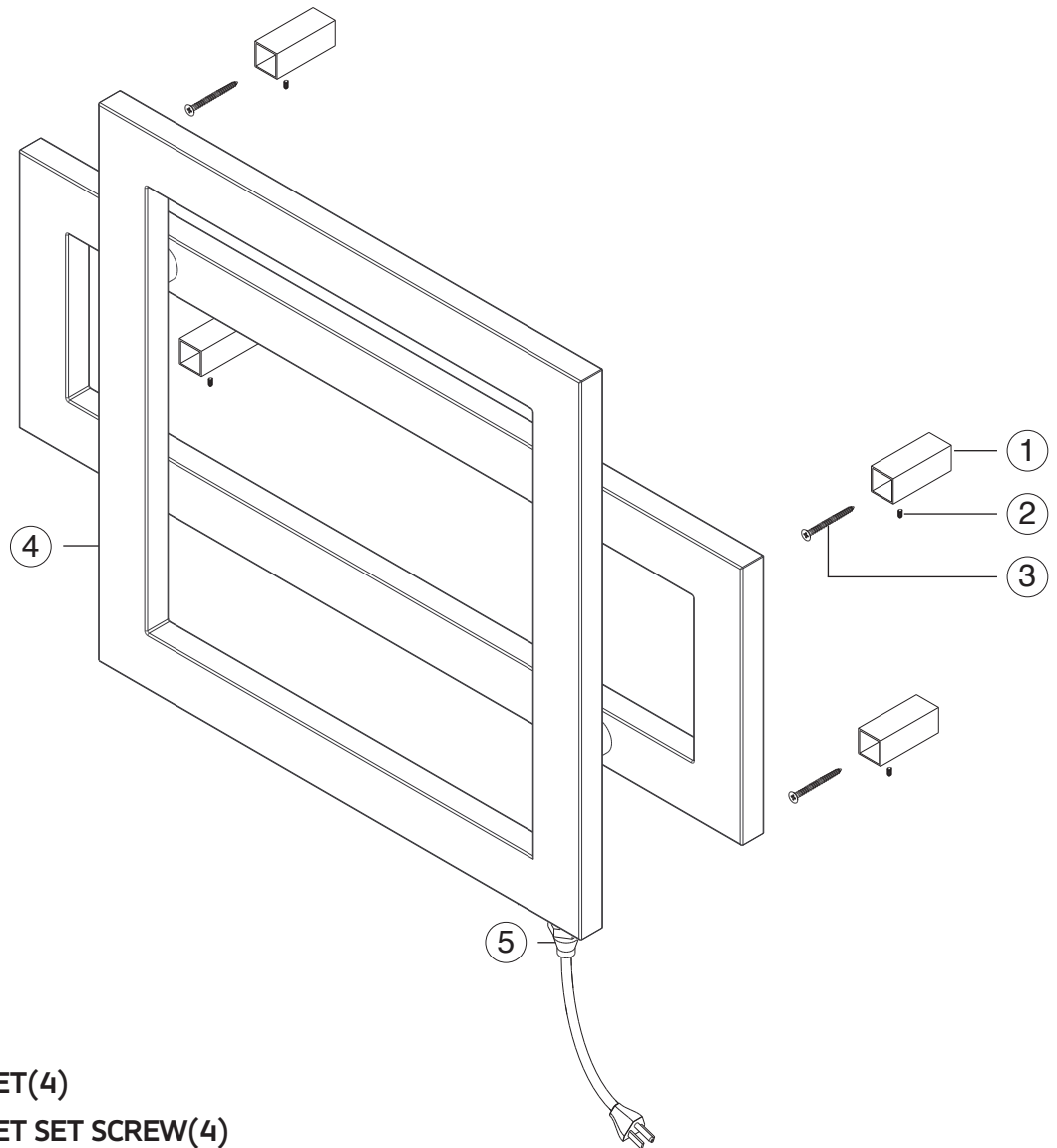


# artos<sup>®</sup>

C06090P

cadiz towel warmer,  
plug-in

## PARTS BREAKDOWN



- ① WALL BRACKET(4)
- ② WALL BRACKET SET SCREW(4)
- ③ WALL BRACKET SCREW(4)
- ④ TOWEL WARMER
- ⑤ ELEMENT