



California Faucets®

30.15S, 30F.15S, 30K.15S, 30X.15S, 30XF.15S, 30XK.15S, 33.13, 33.15, 33.15S, 34.13, 34.13M, 34.15, 35.13, 35.13M, 35.15, 37.72, 38.62, 38T.62, 38X.62, 38XT.62, 39.62, 40.62, 41.62, 45X.62, 46.13, 46.13M, 46.15, 46.15S, 47.13, 47.13M, 47.15, 48.13, 48.13M, 48.15, 48.15S, 48X.13, 48X.13M, 48X.15S, 52F.62, 52K.62, 53.62, 53F.62, 53K.62, 55.13, 55.13M, 55.15, 60.13, 60.13M, 60.15, 60.15S, 61.13, 61.13M, 61.15, 61.15S, 61XD.13, 61XD.13M, 61XD.15, 61XD.15S, 62.62, 64.13, 64.13M, 64.15, 64.15S, 68.13, 68.13M, 68.15, 70.72, 74.62, 77R.72, 80.15S, 80W.15S, 80WB.15S, 80WR.15S

## Handshower and Diverter Trim Only Installation Instructions

**CALIFORNIA FAUCETS RECOMMENDS THAT ALL PLUMBING PRODUCTS BE INSTALLED BY A LICENSED PROFESSIONAL**

**IMPORTANT: Read all instructions prior to installation and provide copy of instructions to consumer.**

### Operating Specifications:

Recommended Supply Pressure: 20 to 70 psi\*† [1.4 to 4.8 bar]

Maximum Flow Rate: 15 gpm [57 Lpm]

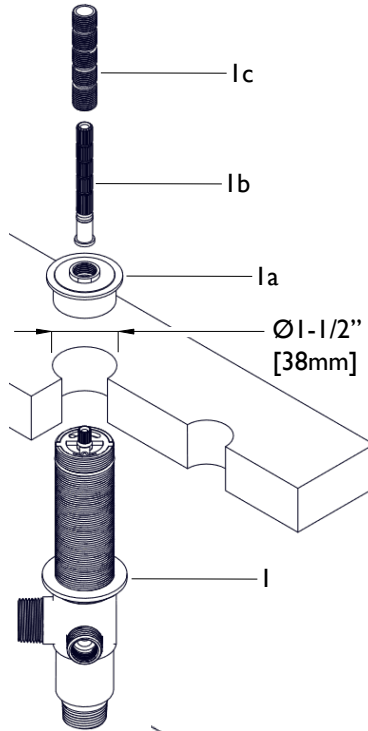
\* Operating pressures between hot and cold supplies should vary no more than 30 psi [2.1 bar].

† If water pressure exceeds 70 psi [4.8 bar], install a Pressure-Reducing Valve (PRV).

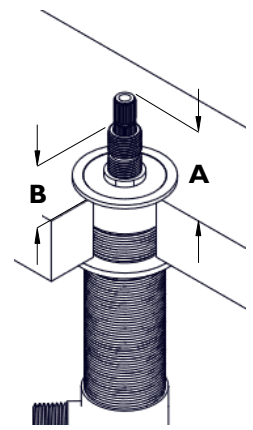
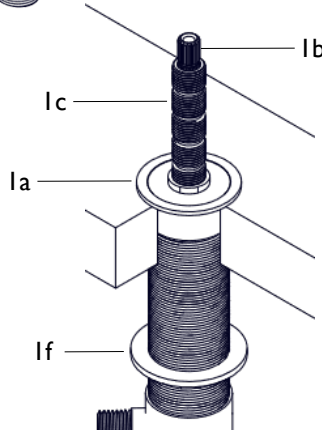
## IA INSTALLING DIVERTER VALVE

**IMPORTANT:** Skip to Step 1B for products 62.62, 74.62, or 77R.72. For all other products, skip Step 1B

- Tub/Deck recommended hole size shall be **Ø1-1/2" [38mm]**
- Unscrew ALLTHREAD (1c), remove STEM (1b) and unscrew diverter TOP NUT (1a)
- From underside, slide DIVERTER (1) up through tub/deck hole and tighten TOP NUT (1a) onto DIVERTER (1) body
- From underside, secure DIVERTER (1) into place by tightening FLANGE NUT (1f)
- Using the table on the right, trim STEM (1b) to a height of **dimension A**, then slide into place
- Trim ALLTHREAD (1c) to **dimension B**, then tighten into place
- Place HANDLE (3a) on DIVERTER (1) to confirm proper alignment. Rotate & retighten DIVERTER (1) if necessary



Series	A" [mm]	B" [mm]
30	1-1/16" [42]	1" [25]
33	2-5/16" [59]	1-1/2" [38]
34	2-5/16" [59]	1-1/2" [38]
35	2-5/16" [59]	1-1/2" [38]
37	1-1/8" [29]	5/16" [8]
38	1-1/16" [27]	5/16" [8]
39	1-3/8" [35]	5/16" [8]
40	1-1/16" [27]	5/16" [8]
41	1-1/8" [29]	1/2" [13]
45	2"-5/16" [59]	1" [25]
46	2-5/16" [59]	1-3/8" [35]
47	2-5/16" [59]	1-3/8" [35]
48	2-5/16" [59]	1-1/2" [38]
52	1-3/8" [35]	9/16" [14]
53	1-3/8" [35]	9/16" [14]
55	2-3/8" [60]	1-5/8" [41]
56	2-5/16" [59]	1-1/2" [38]
60	2-1/4" [57]	1-3/8" [35]
61	2-1/16" [53]	1-3/8" [35]
65	1-7/8" [48]	1-1/16" [27]
66	1-7/8" [48]	1-1/16" [27]
70	1-3/8" [35]	1/2" [13]
77	1-1/8" [29]	5/16" [8]
80	1-1/2" [38]	3/4" [19]
85	1-1/2" [38]	5/16" [8]

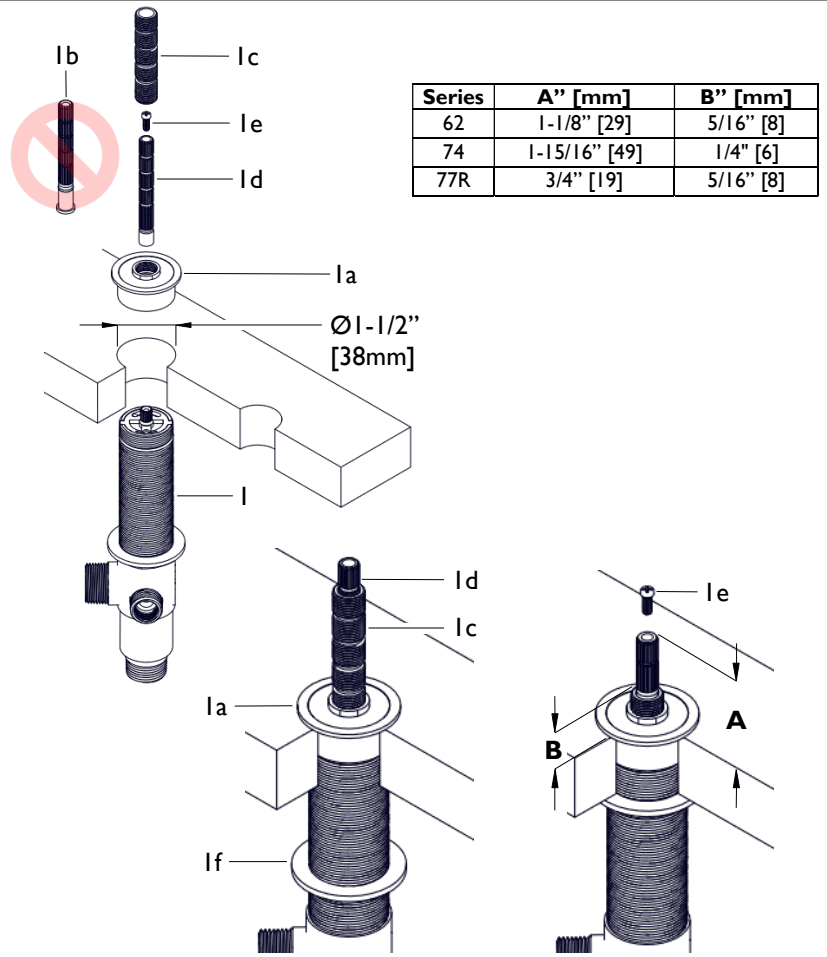


## 1B INSTALLING DIVERTER VALVE

**IMPORTANT:** This step is only for 62,62, 74,62, or 77R,72

- Tub/Deck recommended hole size shall be **Ø1-1/2" [38mm]**
- Unscrew ALLTHREAD (1c) and discard STEM (1b). Unscrew diverter TOP NUT (1a)
- From underside, slide DIVERTER (1) up through tub/deck hole and tighten TOP NUT (1a) onto DIVERTER (1) body
- From underside, secure DIVERTER (1) into place by tightening FLANGE NUT (1f)
- Use BROACH EXTENSION (1d) and trim to a height of **dimension A**. Secure into place with SCREW (1e)
- Trim ALLTHREAD (1c) to **dimension B**, then tighten into place
- Place HANDLE (3a) on DIVERTER (1) to confirm proper alignment. Rotate & retighten DIVERTER (1) if necessary

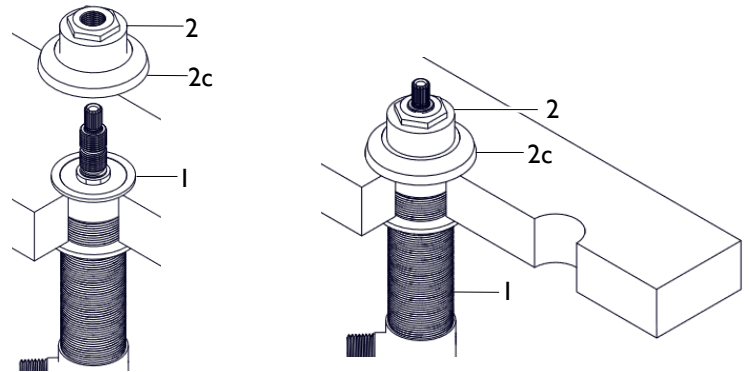
**IMPORTANT:** Proceed to Steps 2A and 3A



## 2A INSTALLING ESCUTCHEON

- Slide BASE RING (2c) and ESCUTCHEON (2) onto DIVERTER (1) and secure to tub/deck surface

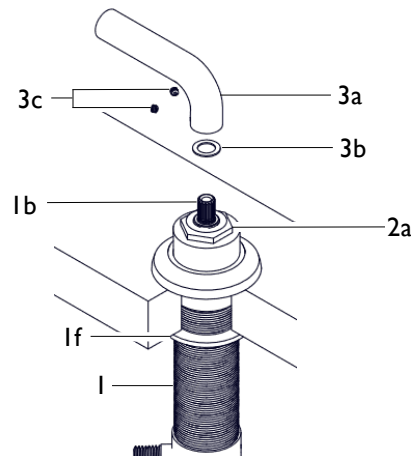
**NOTE:** The escutcheon assembly may vary, consisting of one, two, or three parts, depending on series.



## 3A INSTALLING HANDLE

- Loosen SETSCREWS (3c) from HANDLE (3a); some handle types may only have one SETSCREW
- Place WASHER (3b) onto STEM (1b); slide HANDLE (3a) down to engage valve STEM (1b)
- Secure HANDLE (3a) with SETSCREWS (3c), then rotate HANDLE to check operation. Open position is when HANDLE is rotated forward

**IMPORTANT:** For correct handle alignment, it may be necessary to loosen LOCK NUT (2a) and FLANGE NUT (1f), and then rotate DIVERTER (1) so that HANDLE (3a) is properly oriented.



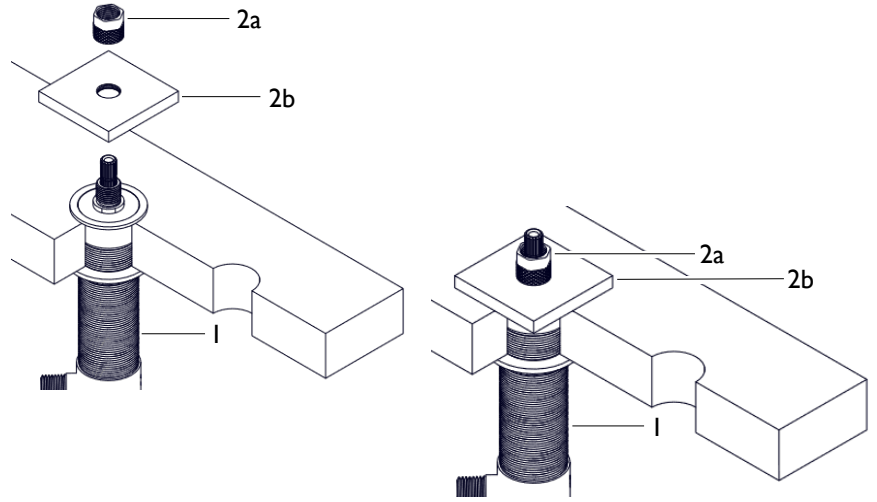
## 2B INSTALLING ESCUTCHEON

**IMPORTANT:** This step is only for 70.72 or 77.72

- Place ESCUTCHEON (2b) onto DIVERTER (1) and secure to tub/deck surface with LOCK NUT (2a)
- Use a ruler or straight edge to align ESCUTCHEON (2b) to Roman Tub Trim, then tighten LOCK NUT (2a)

**NOTE:** Return to Section I if diverter is not aligned properly.

**IMPORTANT:** Proceed to Step 3B



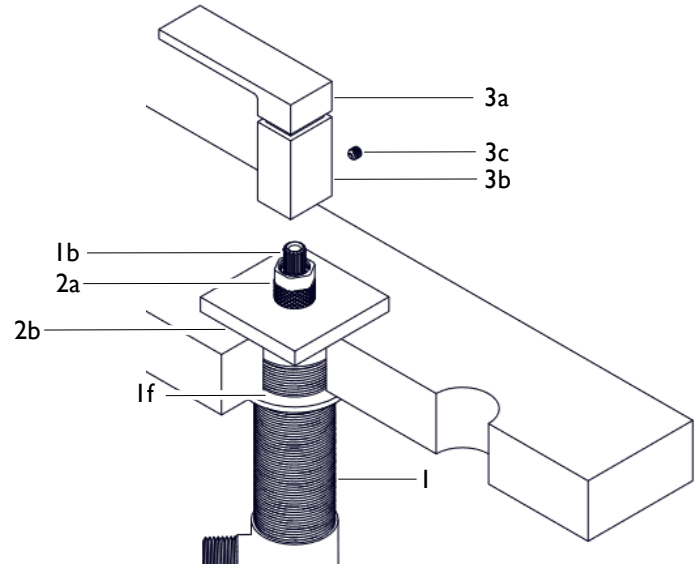
## 3B INSTALLING HANDLE

- Loosen SETSCREW (3c) from handle POST (3b)

**NOTE:** HANDLE (3a) may require aligning with POST (3b) to achieve desired orientation.

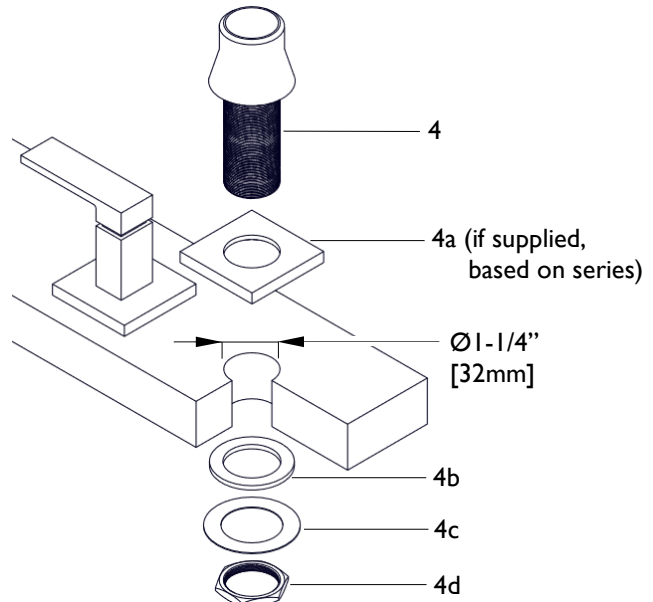
- Slide HANDLE (3a) and POST (3b) down to engage valve STEM (1b)
- Handle POST (3b) shall completely cover LOCK NUT (2a) and seat against ESCUTCHEON (2b).
- Secure handle POST (3b) with SETSCREW (3c), then rotate HANDLE (3a) to check operation. Open position is when HANDLE is rotated forward

**IMPORTANT:** To obtain correct handle alignment, it may be necessary to loosen LOCK NUT (2a) and FLANGE NUT (1f), and then rotate DIVERTER (1) so that HANDLE (3a) is properly oriented.



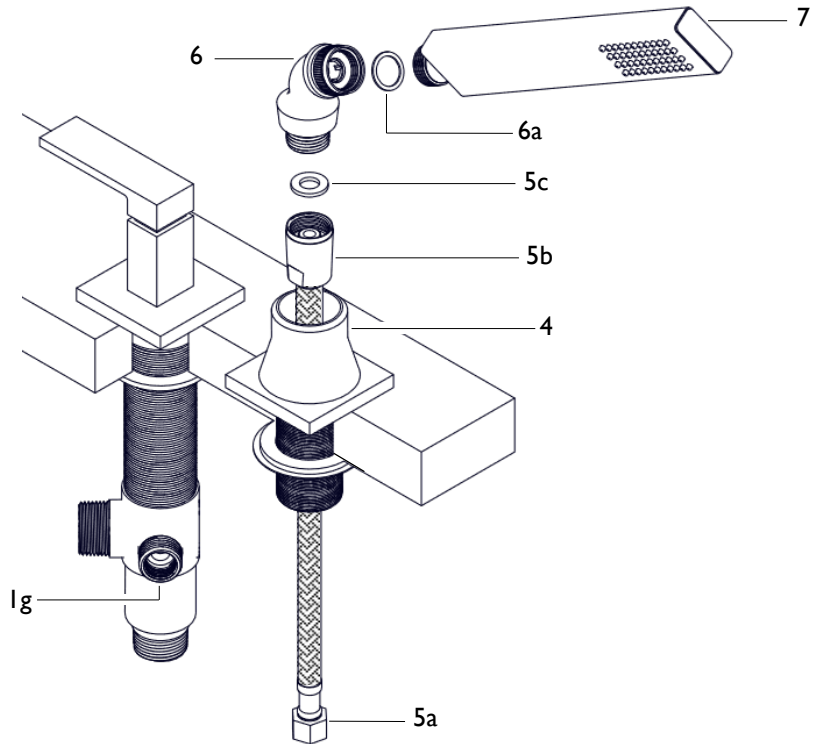
## 4 INSTALLING HANDSHOWER HOLDER

- Tub/Deck recommended hole size shall be  $\text{Ø}1\text{-}1/4\text{'}$  [32mm]
- Place HOLDER (4) down through ESCUTCHEON (4a) (if supplied) and tub/deck hole
- From underside slide RUBBER WASHER (4b) and STEEL WASHER (4c) onto HOLDER (4)
- Secure HOLDER (4) in place with NUT (4d)



## 5 INSTALLING HANDSHOWER

- Slide HEX END (5a) of hose down through HOLDER (4)
- Insert RUBBER WASHER (5c) into CONICAL END (5b) of hose and tighten onto ELBOW (6)
- Insert FIBER WASHER (6a) into swivel nut of ELBOW (6) and tighten HANDSHOWER (7) to ELBOW (6)
- Attach HEX END (5a) of hose to 1/2" DIVERTER OUTPUT (1g)



## 6 INSTALLING SUPPLY LINES

- Must use rigid copper piping (not flex) for all connections between spout and valves
- California Faucets recommends that all installation types have access panel(s) to allow for maintenance and/or service

**Disclaimer:** To conform to many local codes and/or ordinances, it may be required that California Faucets Roman Tub with Handshower sets be installed in conjunction with an ASSE 1070 approved tempering valve to reduce the hot water supply to a safe temperature.

**Important:** The **INSTALLER** is responsible to check local codes and/or ordinances, to confirm and verify proper maximum hot water temperature settings for all products installed

**Warning:** Water temperatures in excess 110°F (43°C) are dangerous and may cause severe scalding and injury

