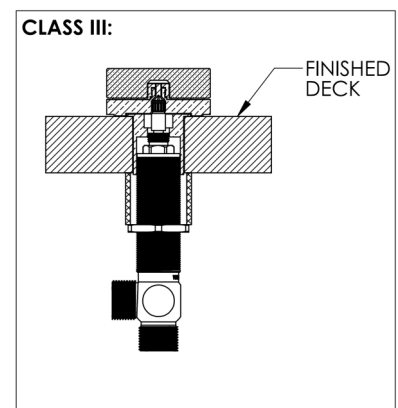
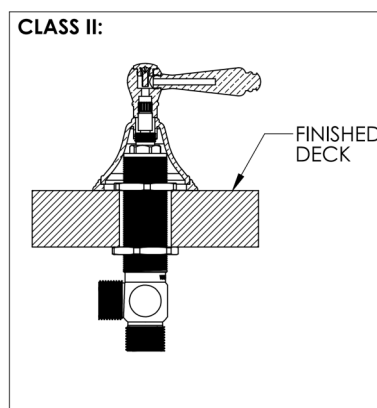
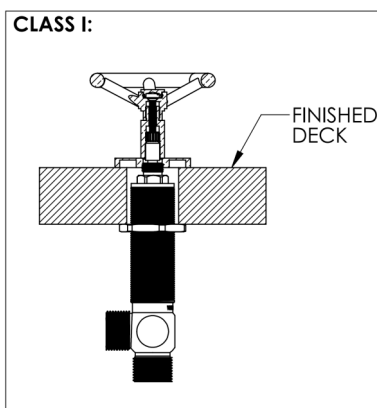


NOTE: These instructions do not represent step-by-step directions. They are a product supplement only to be used by a qualified/ licensed plumber. We recommend all plumbing fixtures be installed by a professional.

For support please call (718)-257-2800 or visit www.watermark-designs.com

GENERAL INSTRUCTIONS:

- ALWAYS flush lines of debris; Always provide an access panel for later service.
- USE TEFLON TAPE OR PIPE SEALANT FOR THREADED CONNECTIONS
- DO NOT USE PLUMBER'S PUTTY ON ANY OF THE BRASS COMPONENTS
 - This will cause the finish to tarnish and void the warranty. A non-corrosive Alkoxy Silicone is recommended.
- DURING SWEATING OF LINES DO NOT OVERHEAT CASTING
 - Overheating may cause damage to internal mechanism
- COPPER ADAPTORS MAY BE REQUIRED TO COMPLETE YOUR INSTALLATION
- Stem protrusion varies between different handles, see the diagrams below for reference.



HANDLE CLASSES QUICK GUIDE

CLASS I: Escutcheon/escutcheon ring threaded but not big enough to fit another lock nut. Stem protrusion from the deck is generally between 1"-2"

CLASS 2: Escutcheon big enough to fit another lock nut. Stem protrusion from the deck is generally over 2".

CLASS 3: Handle uses its own lock nut in conjunction to the lock nut included with the valve. A plastic collar is provided with the handle as well. Stem protrusion from the deck is under 1"

CLASS I		
B9M	EV4	MZ5
BG4	H4	RNS4
BG5	J5	RNK8
BK	J6	SP4
BKA.1	L8	SP5
CL14	L9	TIA
CL15	LLD4	TIB
CL16	LLP5	TIC
DD2	LLO6	
DD3	MZ4	

CLASS II		
AA	S1	TR24
AX	S1A	TR25
BB	S2	U
BR4	SW	V
CC	SWA	WW
CRY4	SU	X
CRY5	SWU	XX
DD	T	Y
IN14	T6	Y2
IN16	TR14	YY
R2	TR15	

CLASS III	
BL1	E1
BL2	E2
BL3	E3
BR4	ZEN
ED1	
ED2	
ED3	
ED4	

PARTS LISTS FOR ROMAN TUB SETS:

- The basic Roman tub set should include the items in the below diagram.
- *Carefully* remove all parts from the box.

Two Valve Roman Tub

ITEM NO.	PART NUMBER	QTY.
1	DECK SPOUT	1
2	#10-24 SOCKET; CUP POINT; 1/2" LENGTH	1
3	22-8 NIPPLE	1
4	22-8 LOCK NUT	1
5	508-TEE	1
6	508 VALVE BRASS LOCK NUT	2
7	CRT-508	2
8	SS-508 VALVE BODY	2

*** NIPPLE CONNECTION VARIES DEPENDING ON THE SPOUT**

Three Valve Roman Tub

ITEM NO.	PART NUMBER	QTY.
1	DECK SPOUT	1
2	#10-24 SOCKET; CUP POINT; 1/2" LENGTH	1
3	HAND SHOWER	1
4	DECK ELBOW ASSY	1
5	DM-3079	1
6	DECK BASE	1
7	DECK BASE LOCK NUT	1
8	RUBBER WASHER	2
9	SS-508 VALVE WASHER	1
10	SS-DD4 VALVE BODY	1
11	CRT-DD4	1
12	SS-DD4 NIPPLE EXTENSION	1
13	22-8 LOCK NUT	1
14	22-8 NIPPLE	1
15	SS-508 VALVE BODY	2
16	CRT-508	2
17	SS-508 BRASS LOCK NUT	2

*** NIPPLE CONNECTION VARIES DEPENDING ON THE SPOUT**

INSTALLATION DIAGRAMS FOR 2 VALVE AND 3 VALVE ROMAN TUB SETS

NOTES:

- The valves shown in the diagram are laid out to represent the installation of a **CLASS III** handle trim
- Rough in hole sizes are 1 3/8" for all roman tub valves
- Hard piping is required with roman tub sets

