

artos[®]

PS144

INSTALLATION GUIDE

premier series shower set

BRUSHED NICKEL (BN)



CHROME (CH)



BLACK (BK)



SATIN BRASS (SB)



artos[®]

PS144

premier series shower set

OPERATING SPECIFICATIONS



FEATURES

Solid Brass
2-Outlets

INCLUDES

F903B-58TK
F907-60
F908-4



OPERATING PRESSURE

Minimum: 15 psi
Maximum: 75 psi
Above 90psi it may be necessary to install a pressure reducer

OPERATING TEMPERATURE

Maximum: 176°



FLOW CAPACITY

Shower Head: 1.8 USGPM
Tub Filler: 6.0 USGPM

APPROVAL



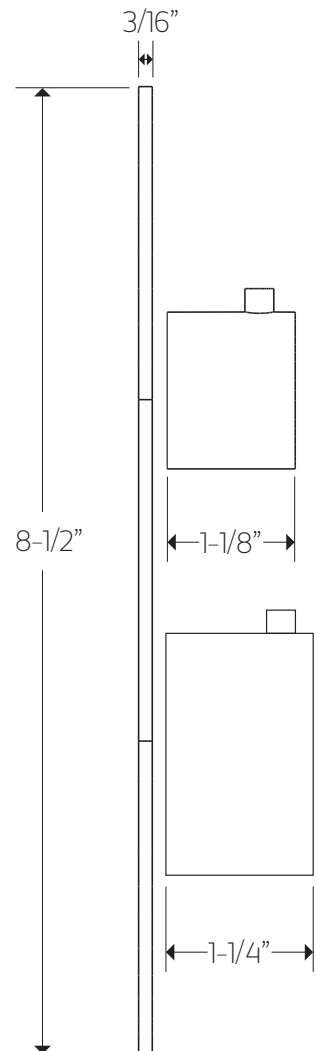
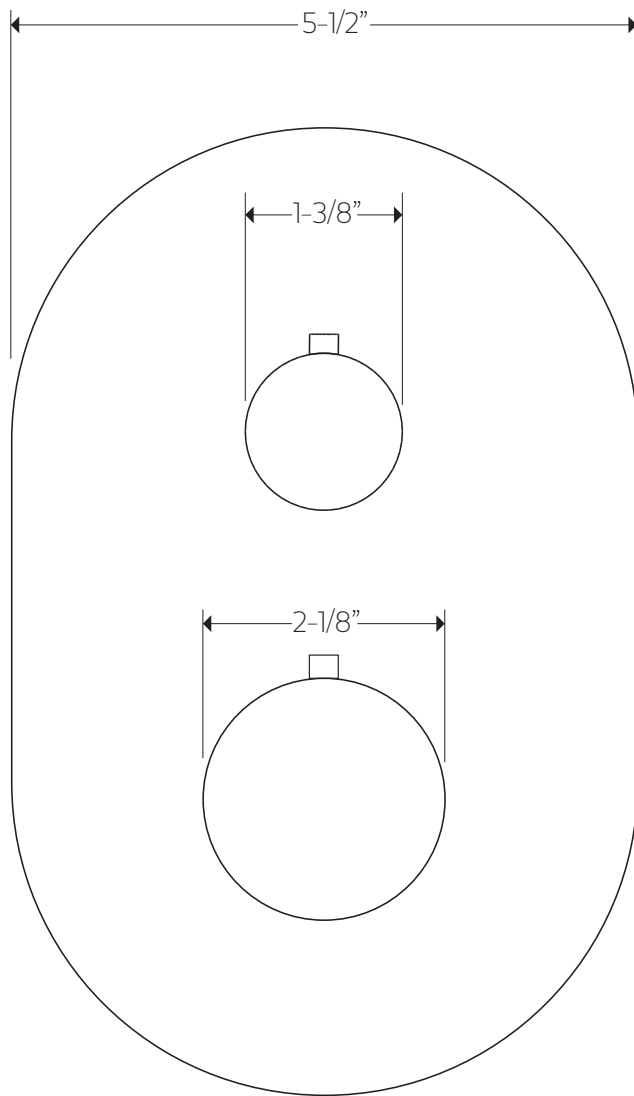
artos[®]

PS144

premier series shower set

PRODUCT DIMENSIONS

for trim kit



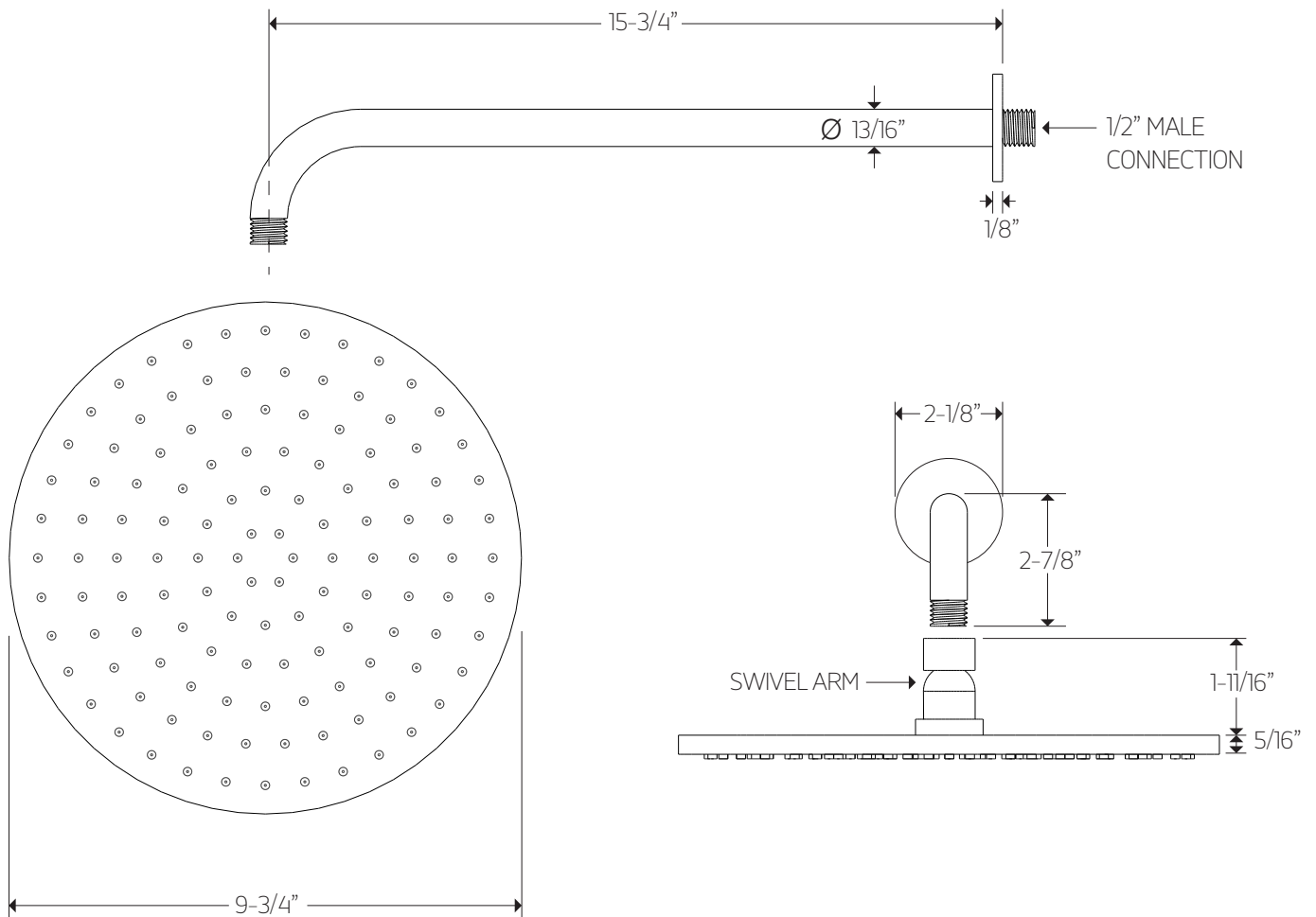
artos[®]

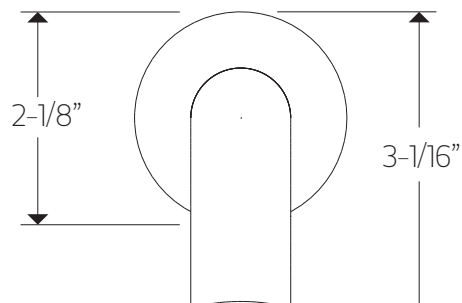
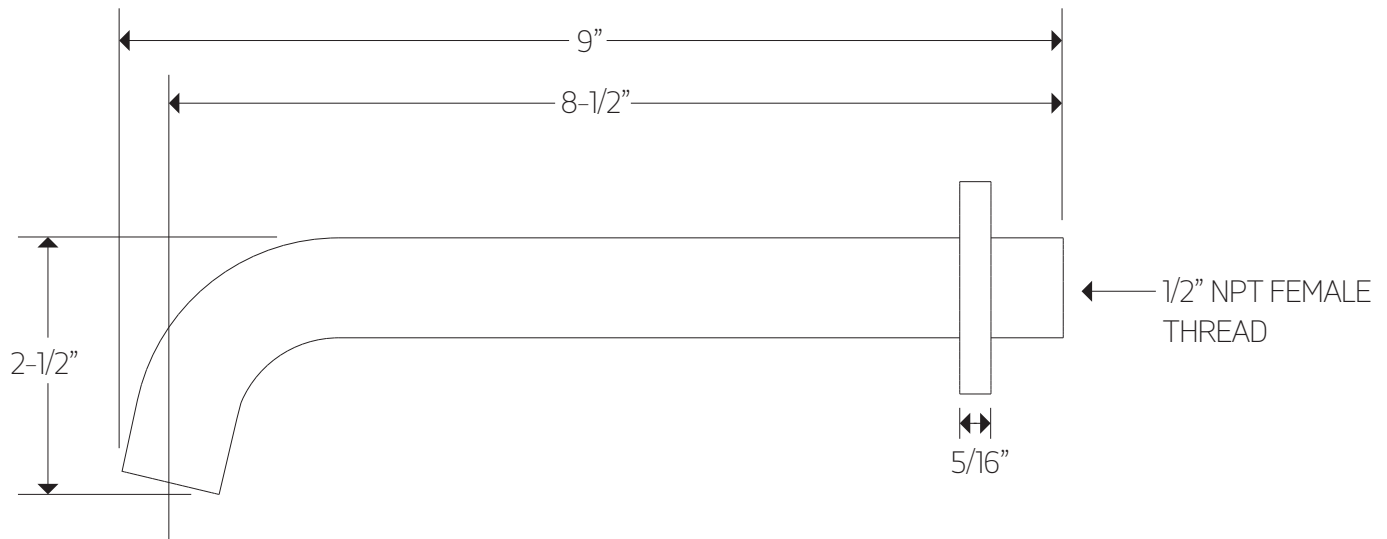
PS144

premier series shower set

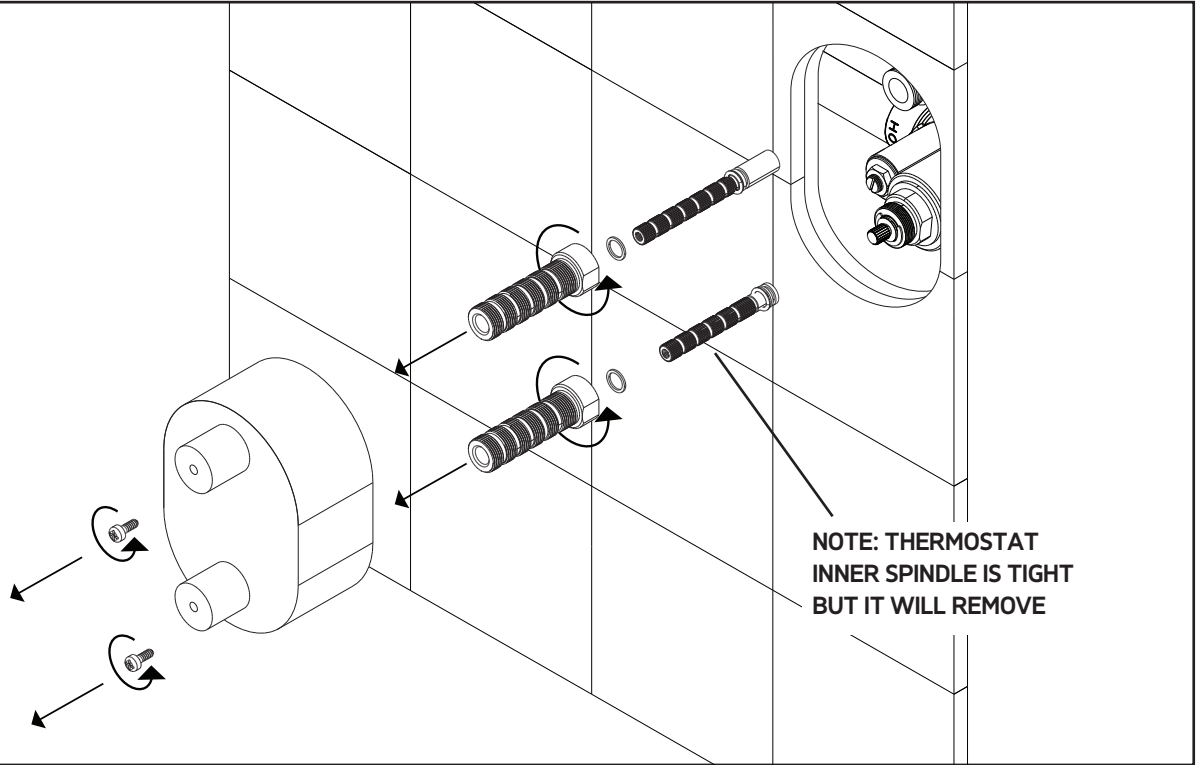
PRODUCT DIMENSIONS

for shower head

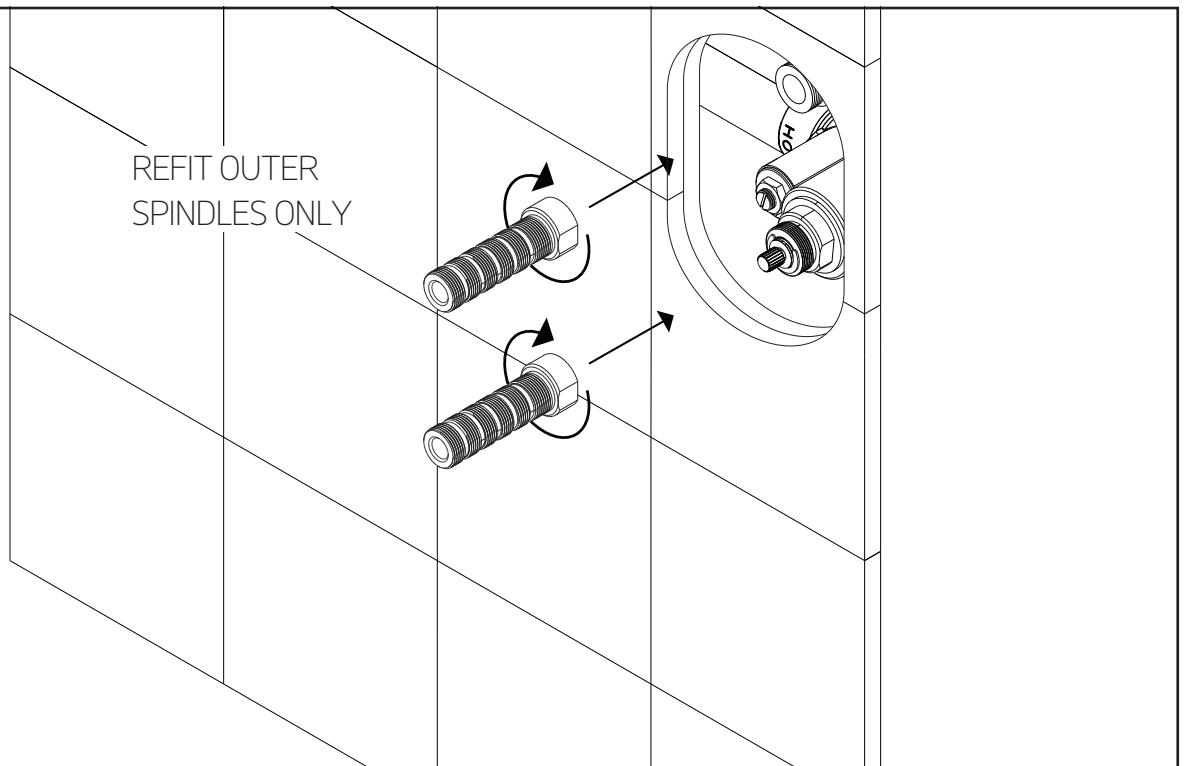




STEP 1

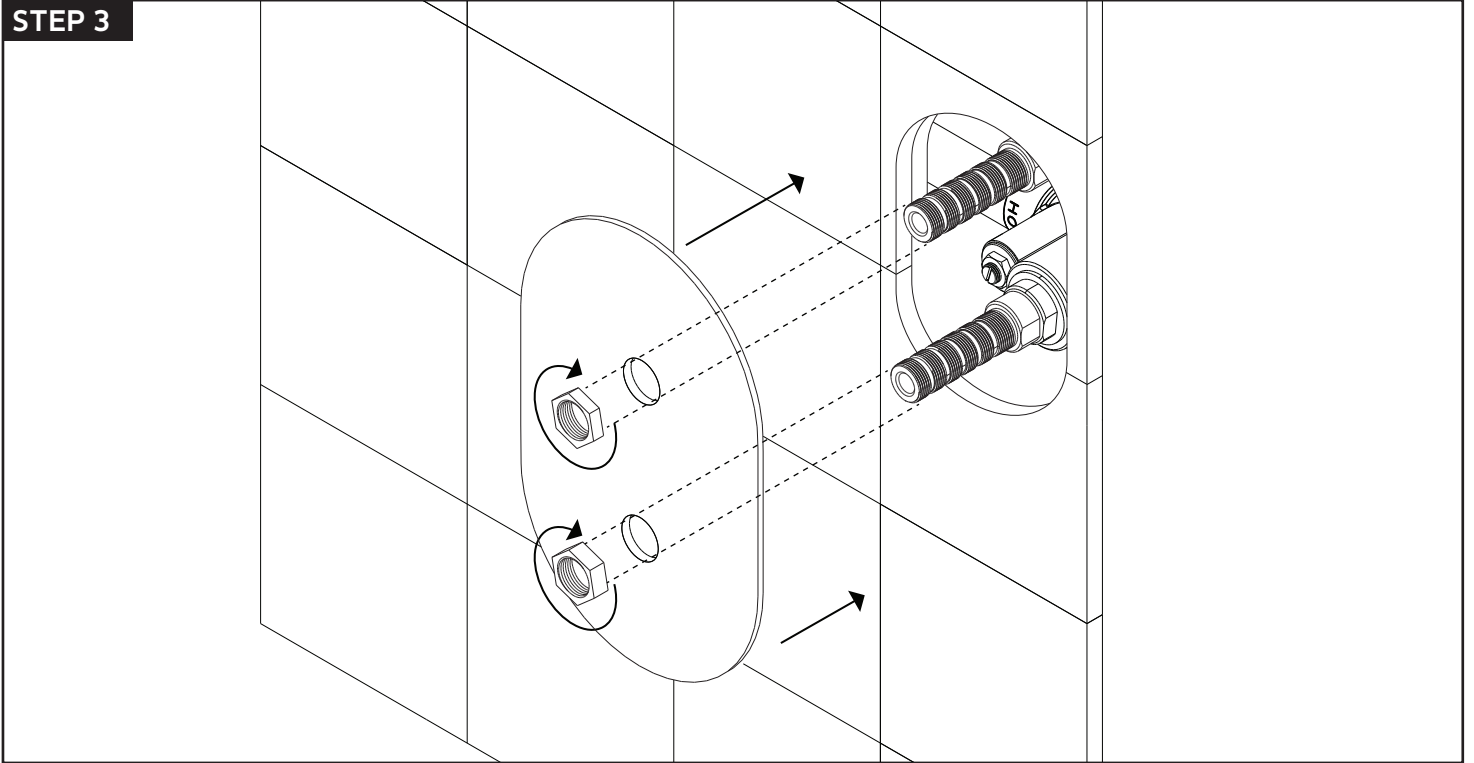


STEP 2

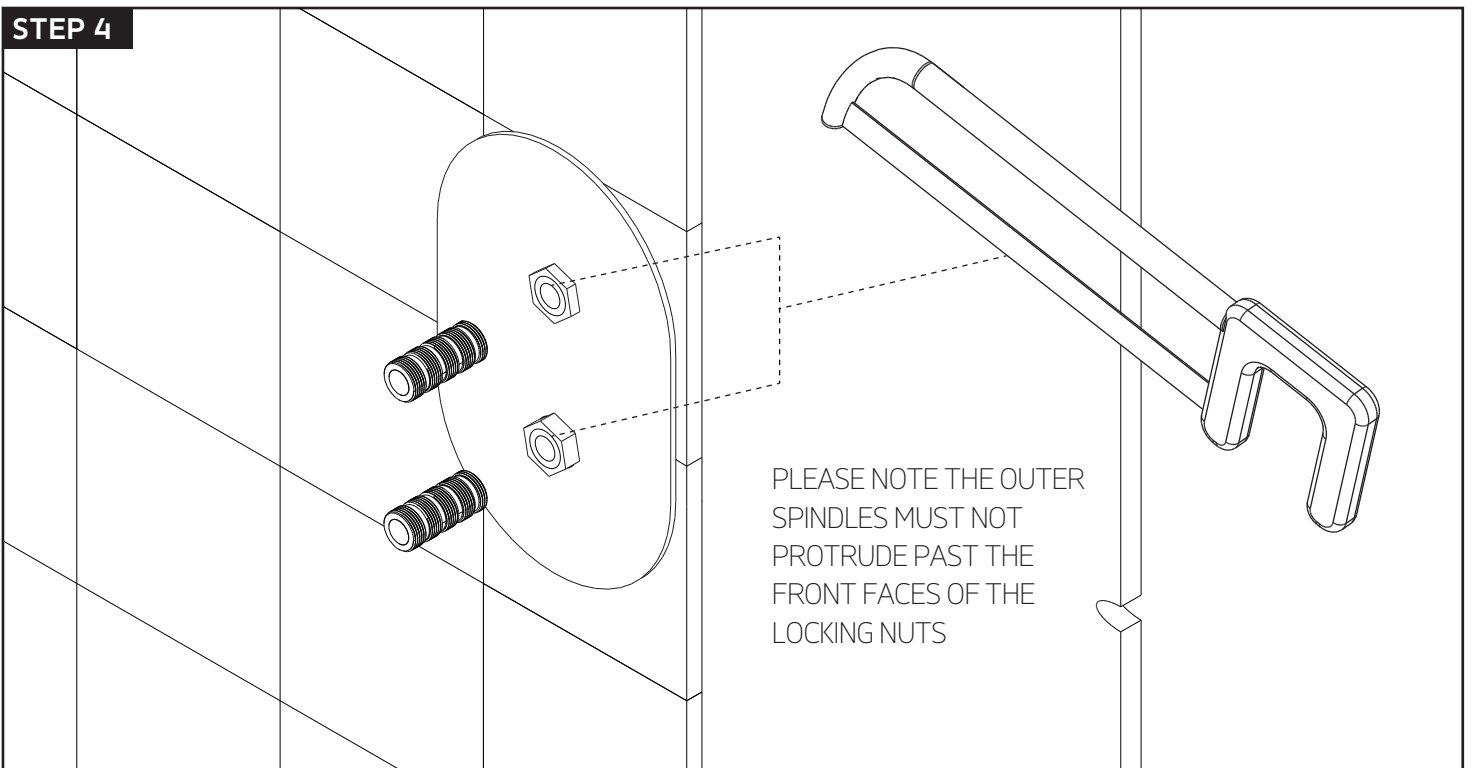


INSTALLATION STEPS

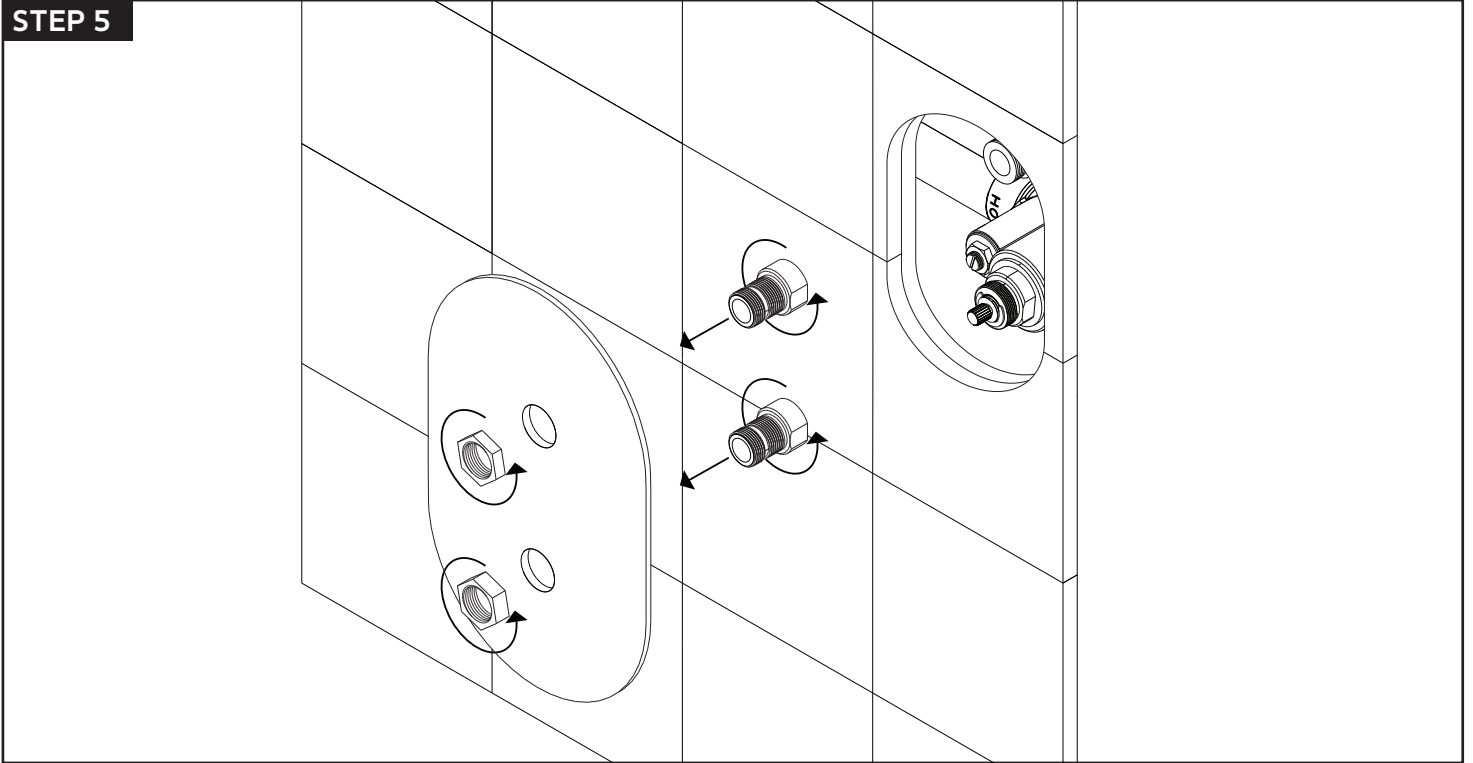
STEP 3



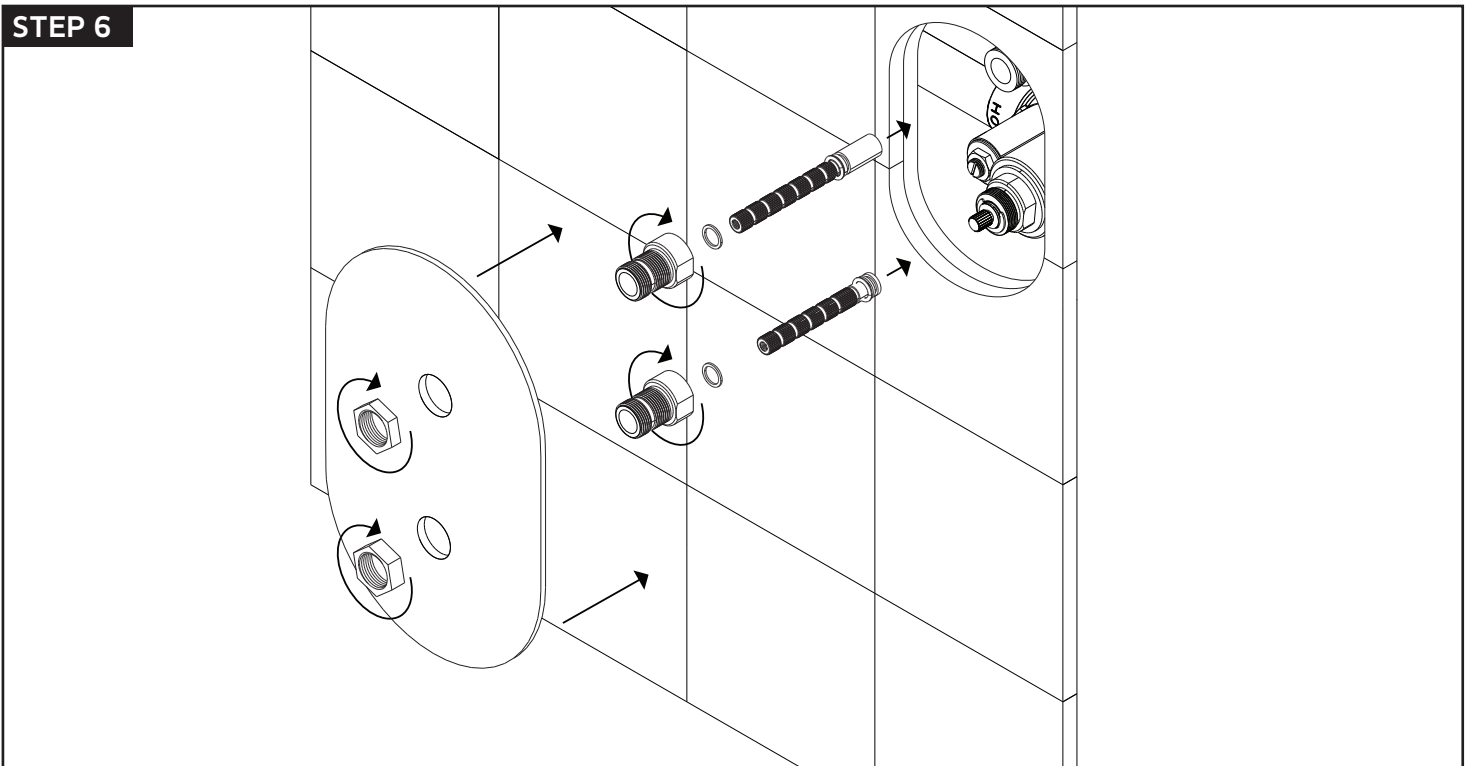
STEP 4



STEP 5

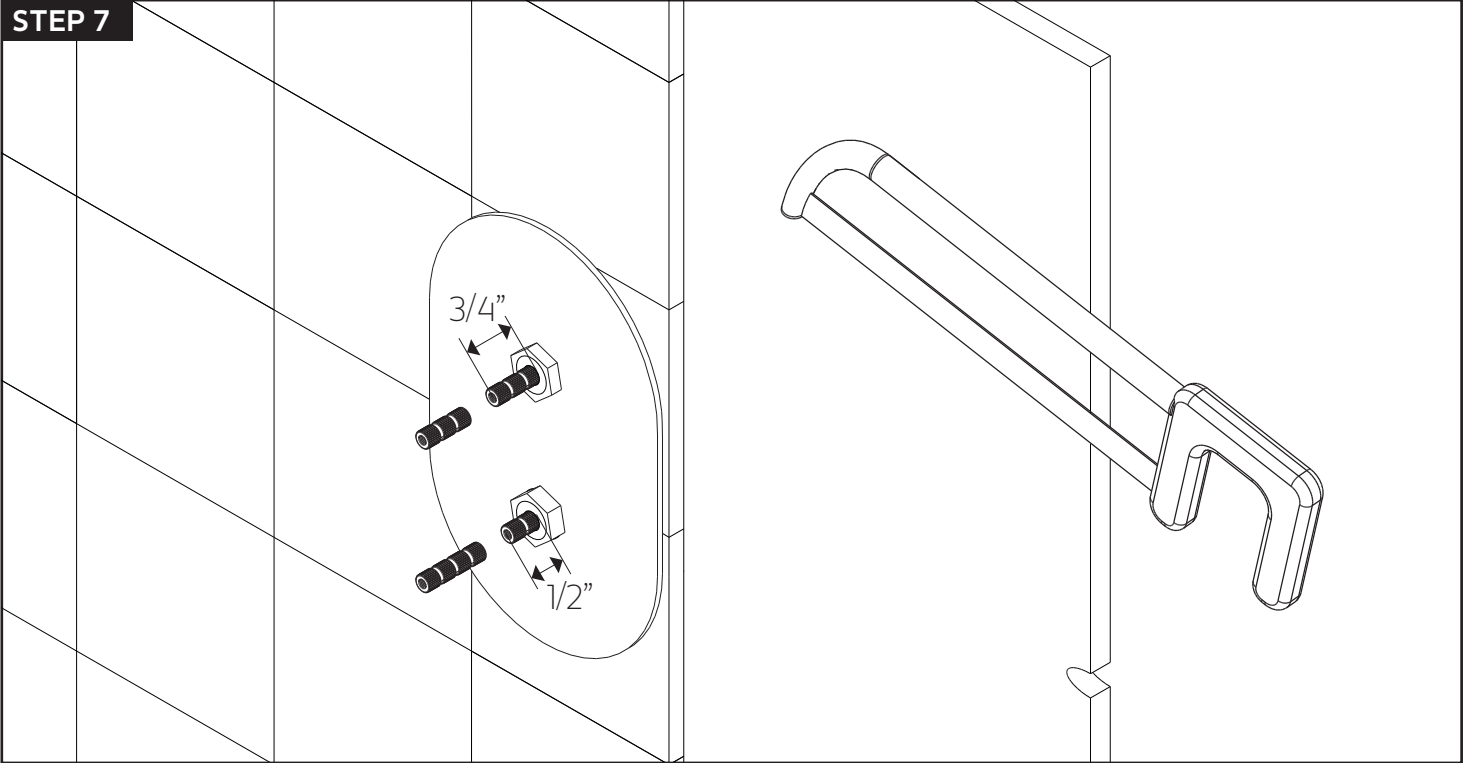


STEP 6

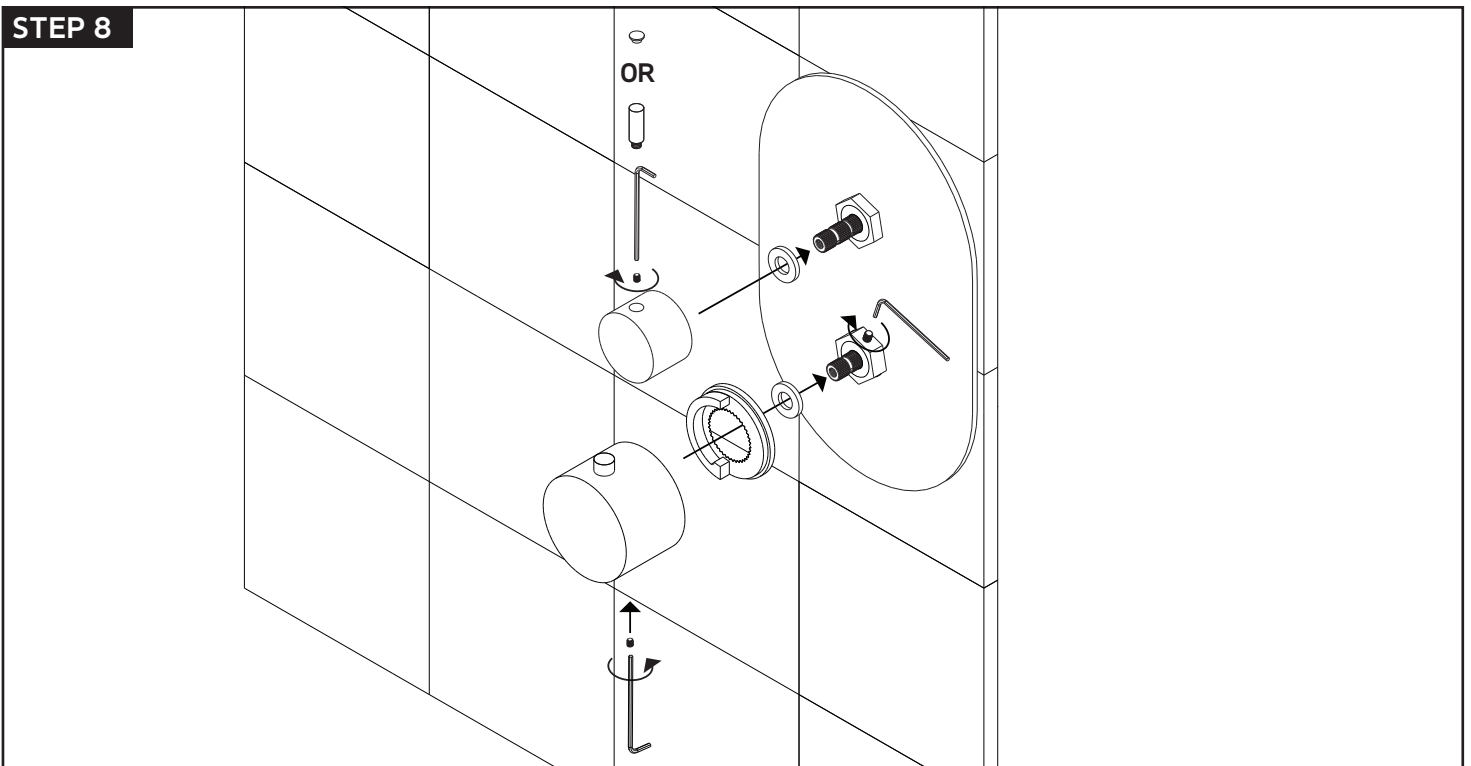


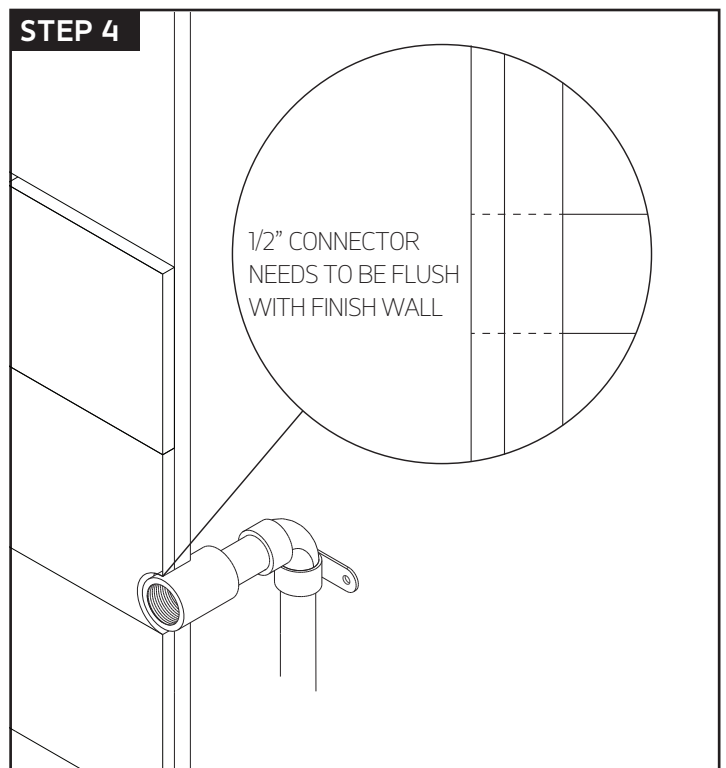
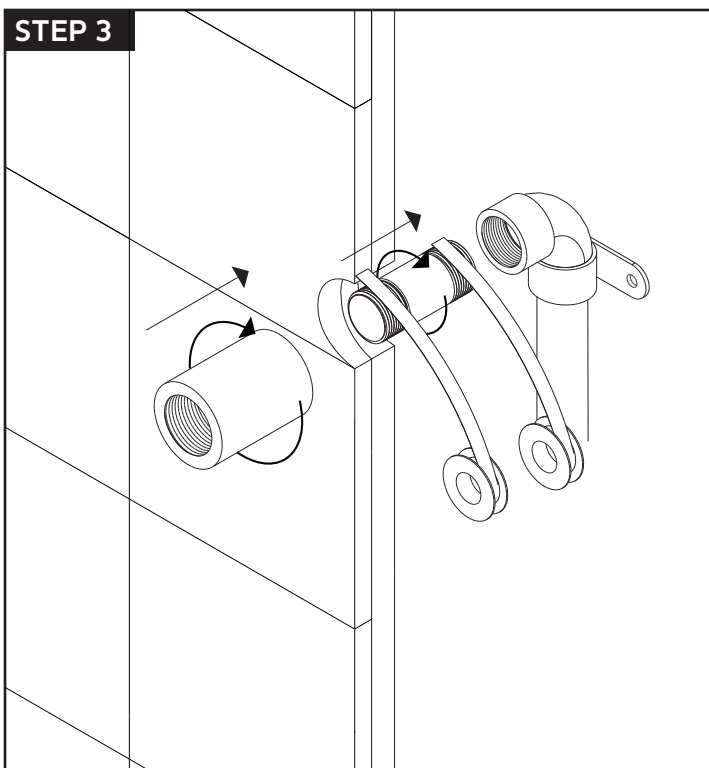
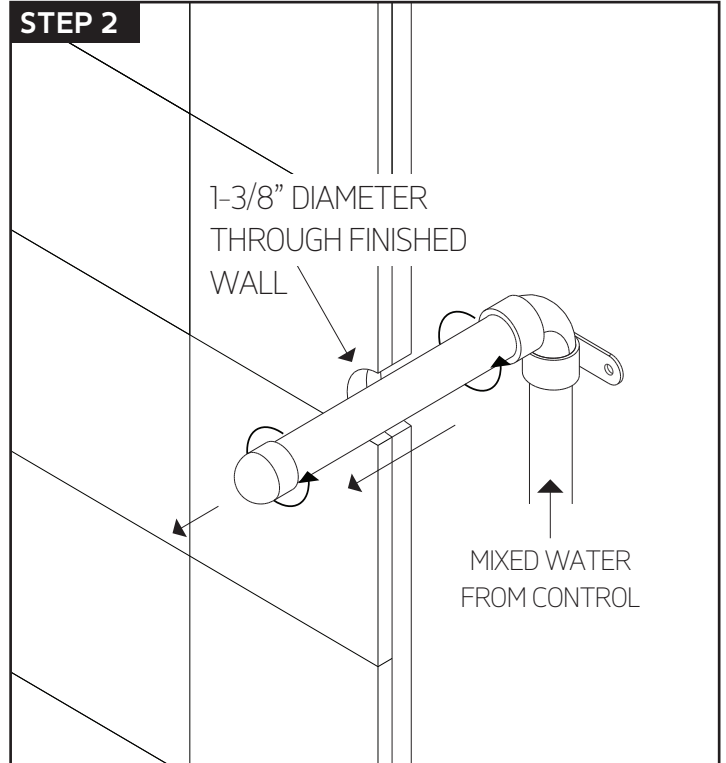
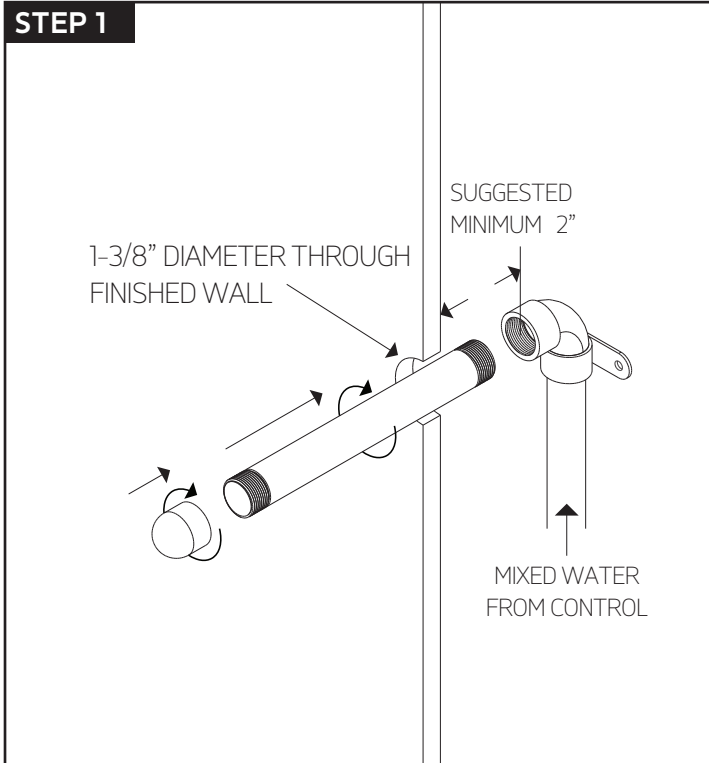
INSTALLATION STEPS

STEP 7



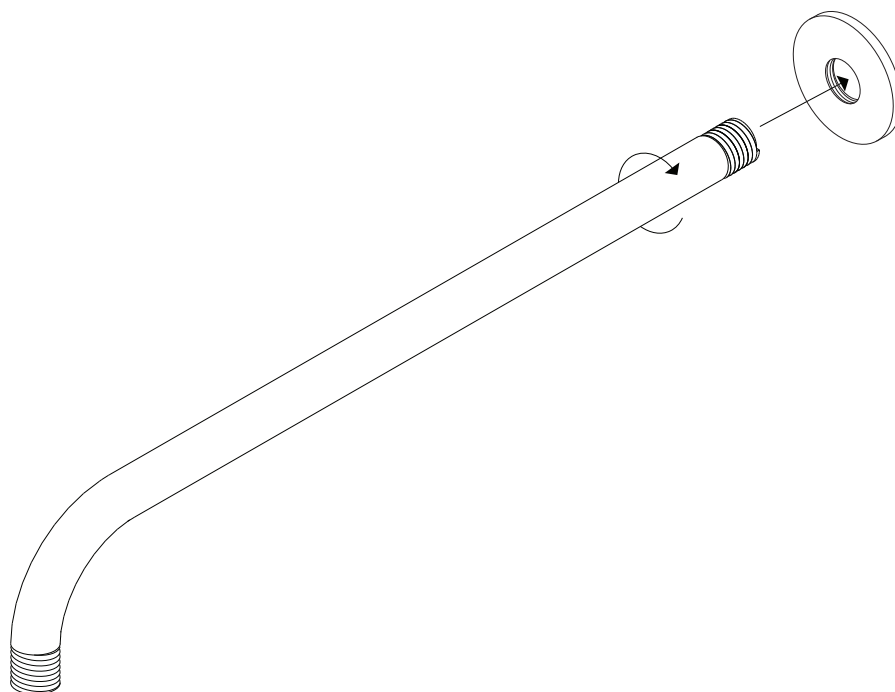
STEP 8



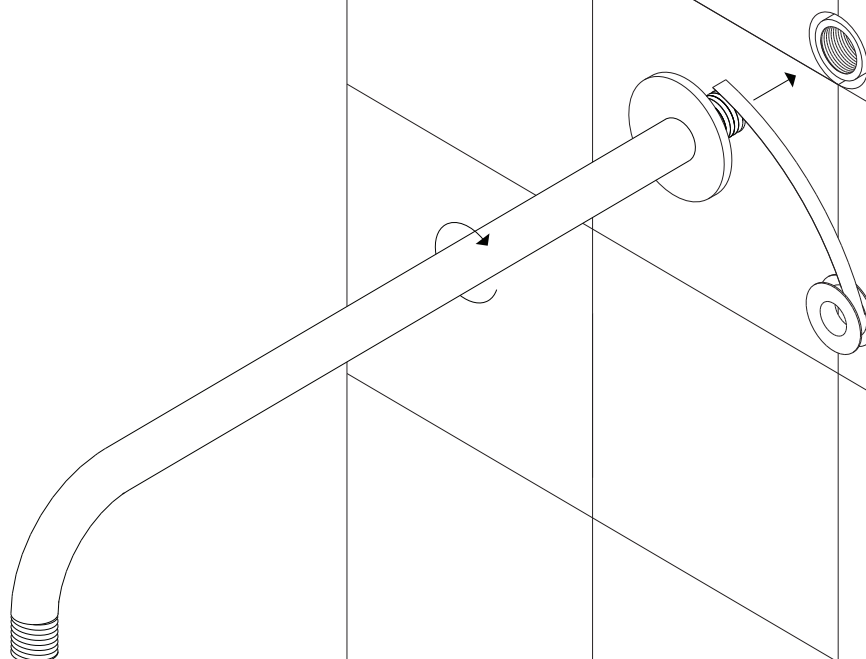


INSTALLATION STEPS

STEP 5



STEP 6



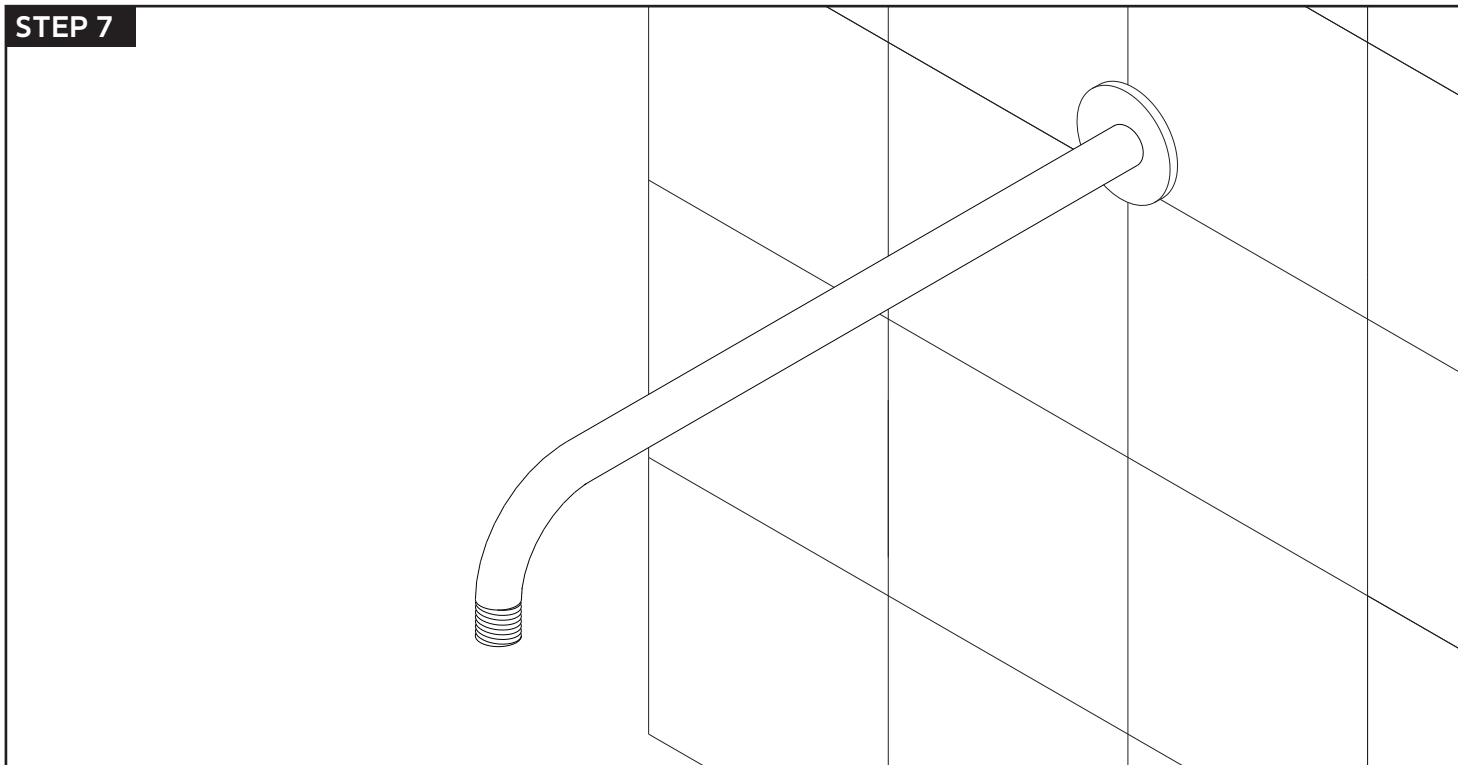
artos[®]

PS144

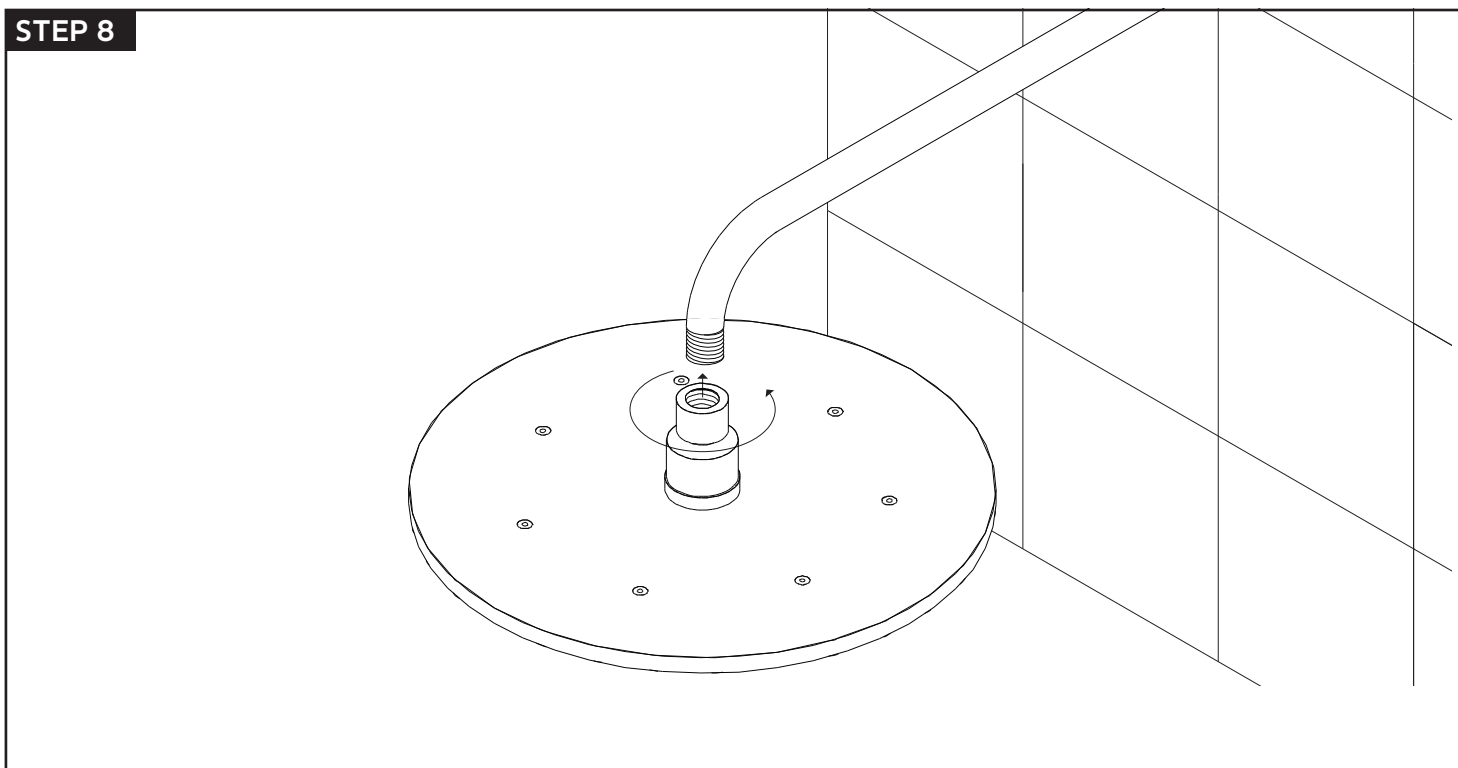
INSTALLATION STEPS

shower head

STEP 7



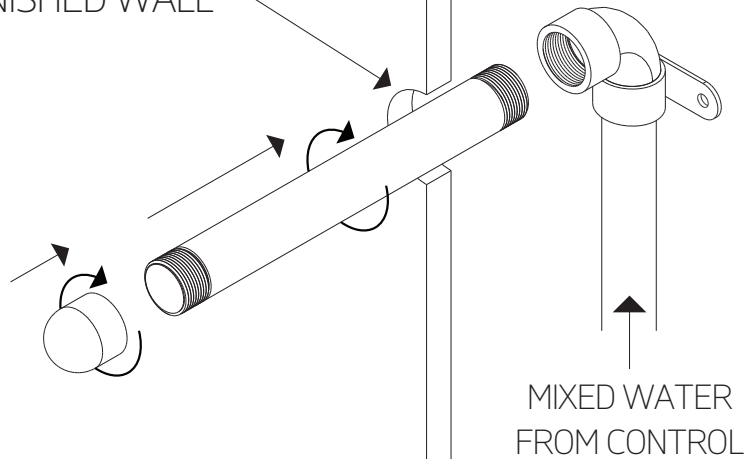
STEP 8



tub filler

STEP 1

1-5/8" DIAMETER THROUGH
FINISHED WALL

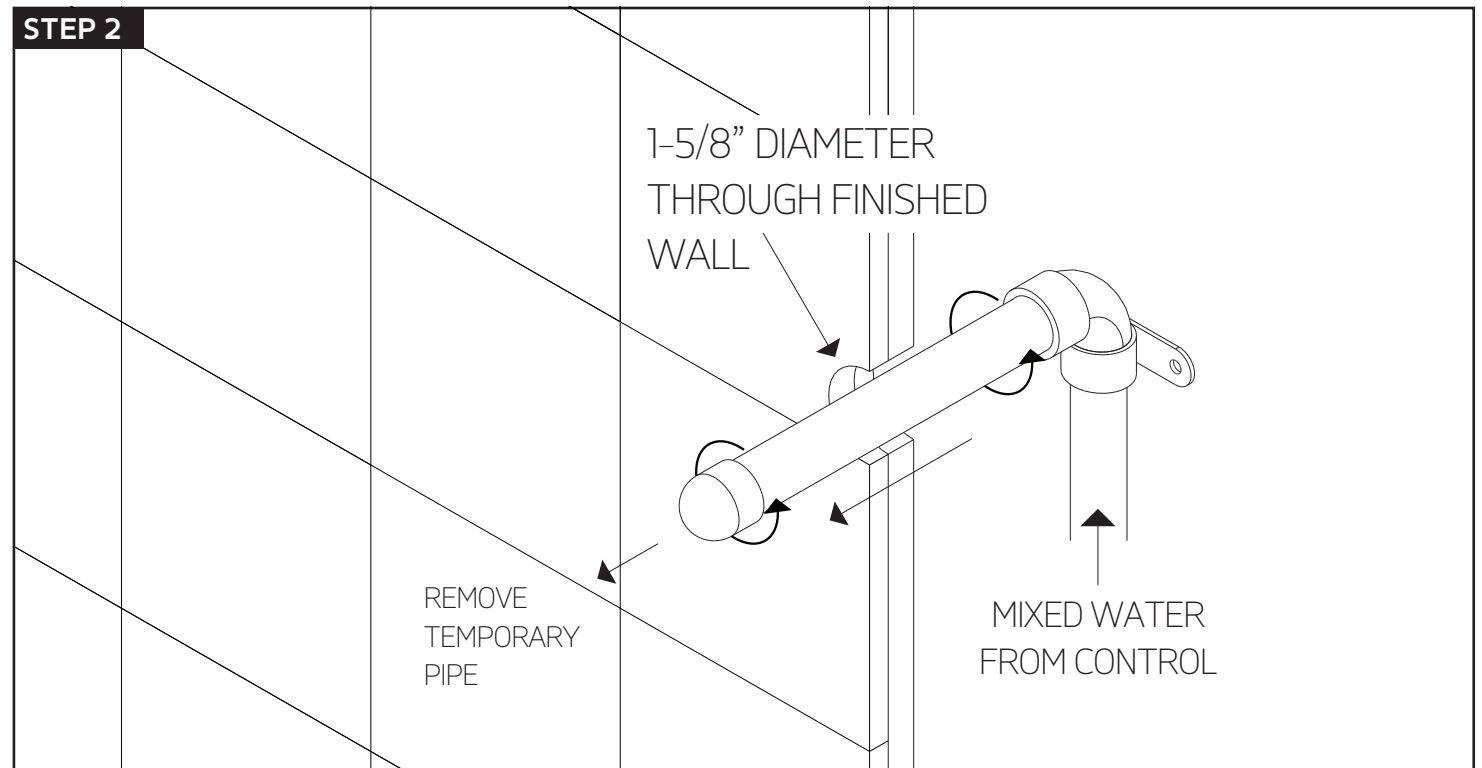


STEP 2

1-5/8" DIAMETER
THROUGH FINISHED
WALL

REMOVE
TEMPORARY
PIPE

MIXED WATER
FROM CONTROL



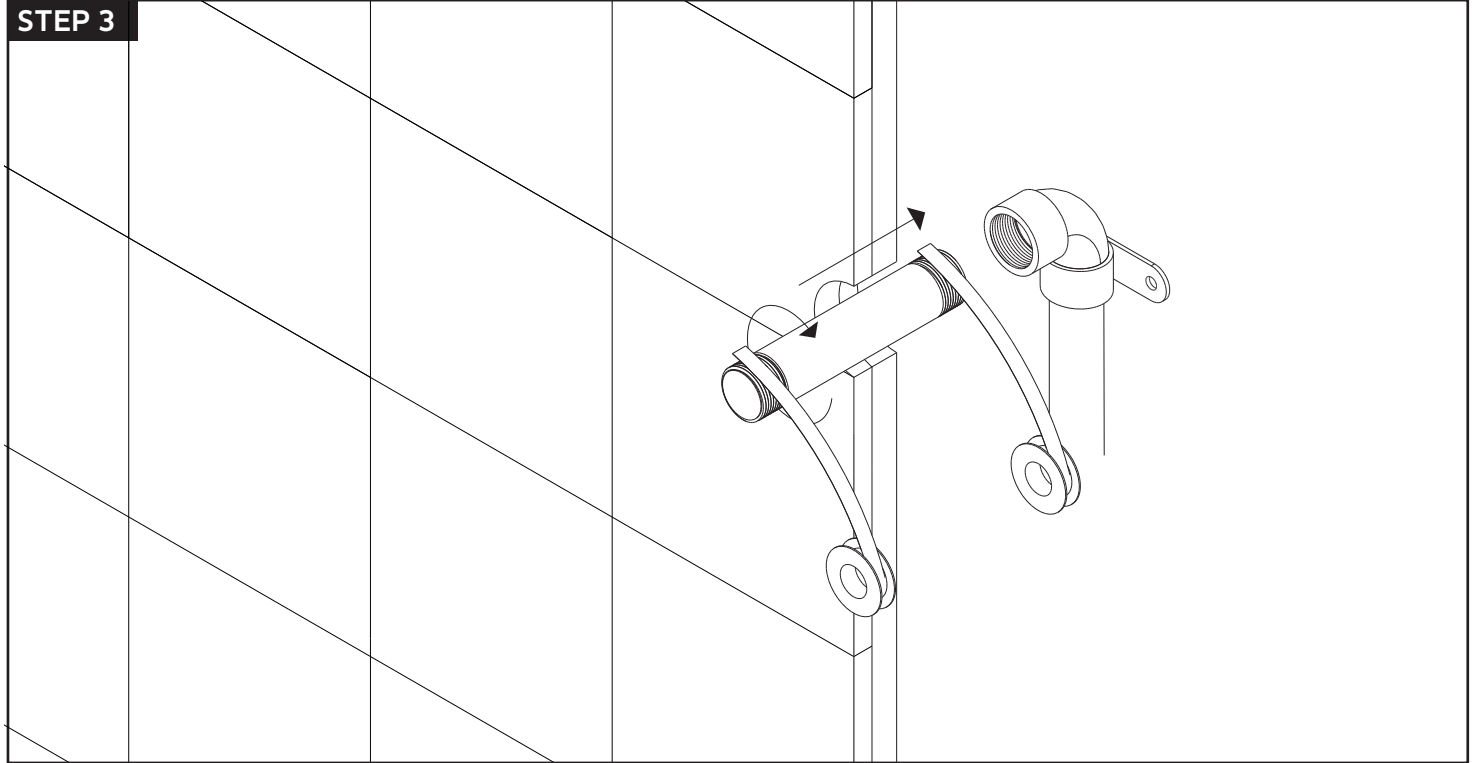
artos[®]

PS144

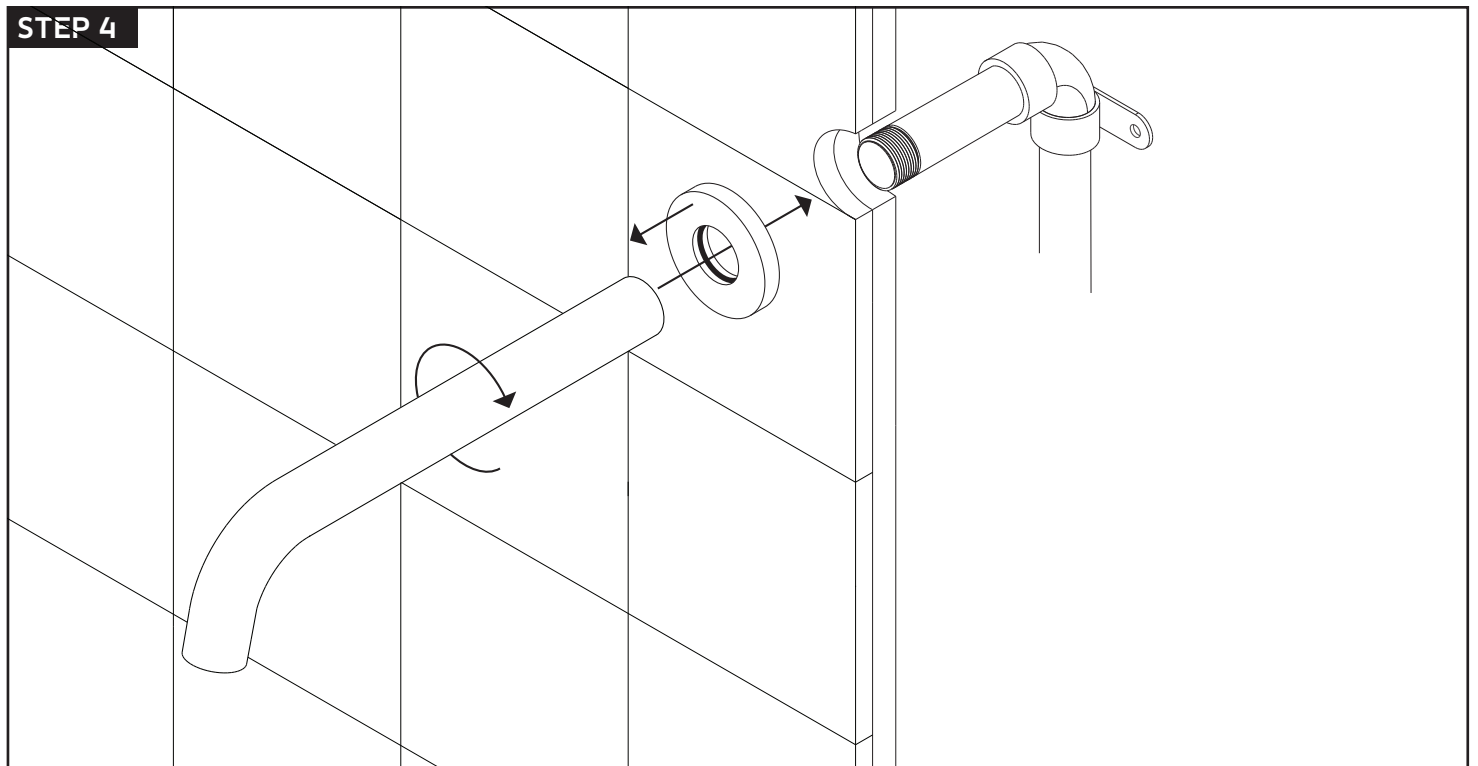
INSTALLATION STEPS

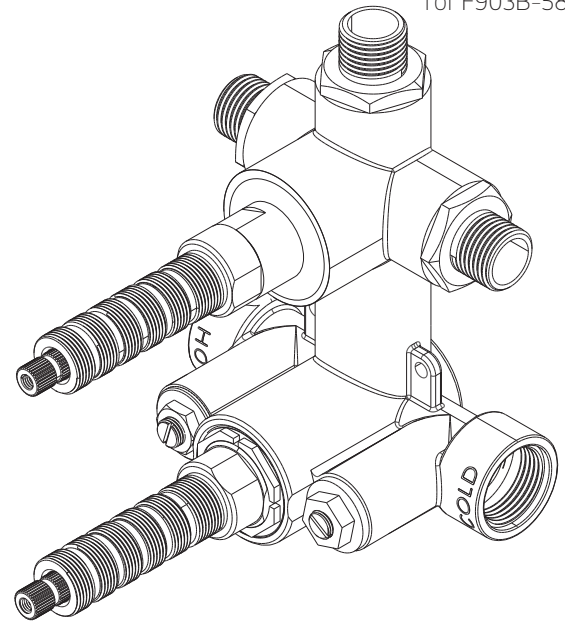
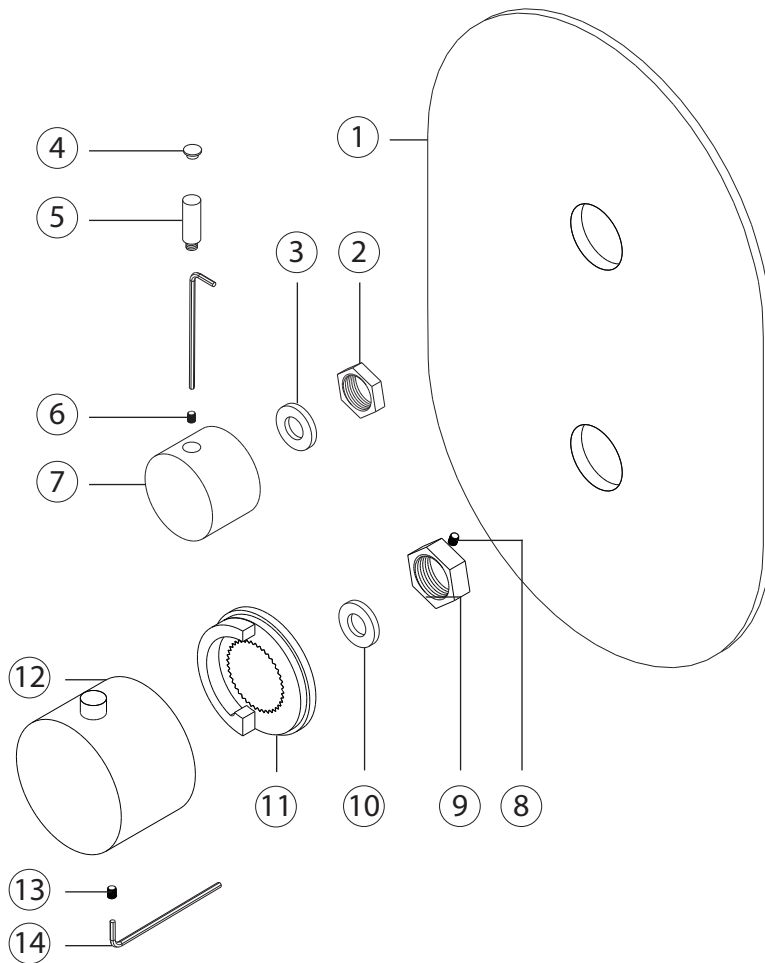
tub filler

STEP 3

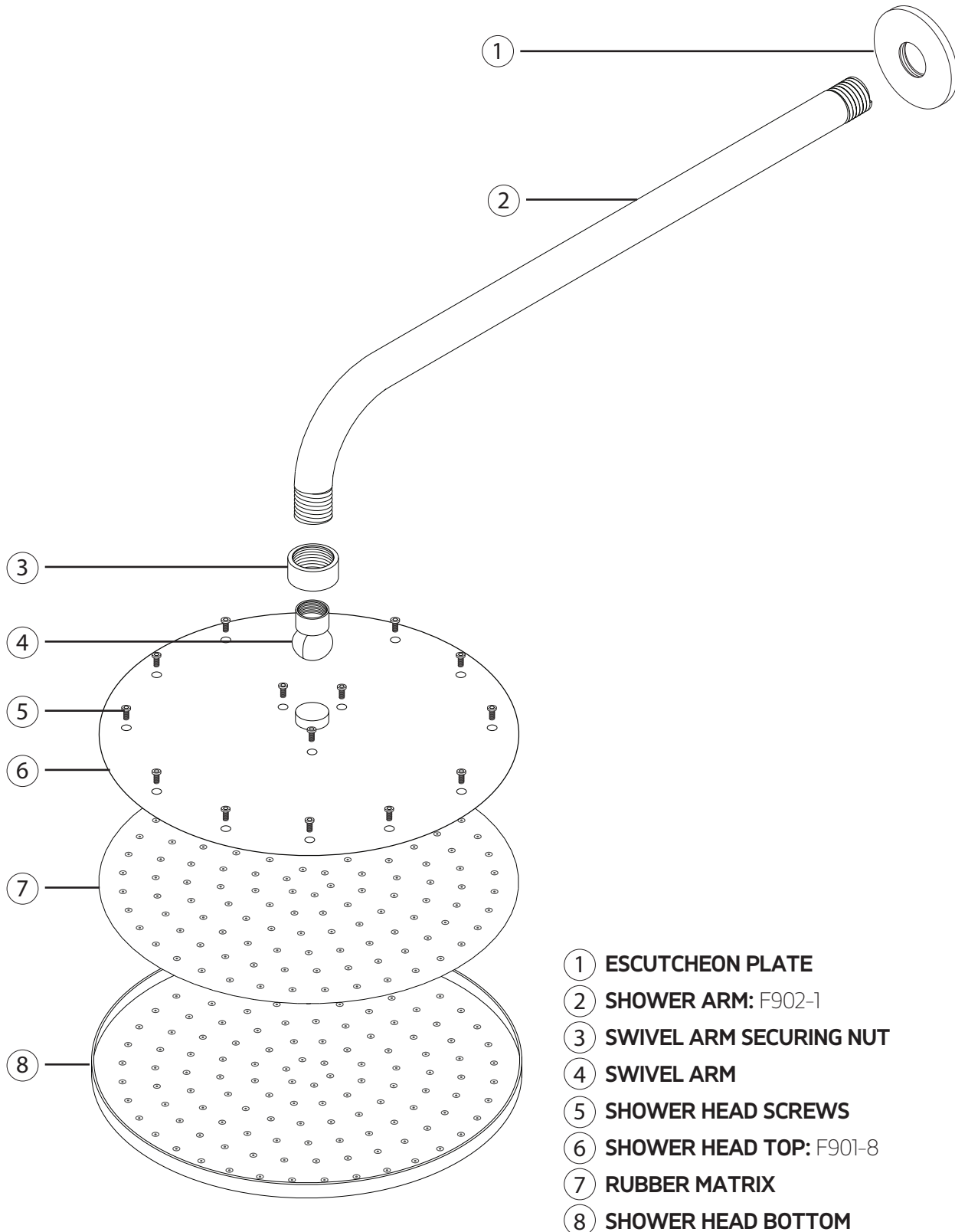


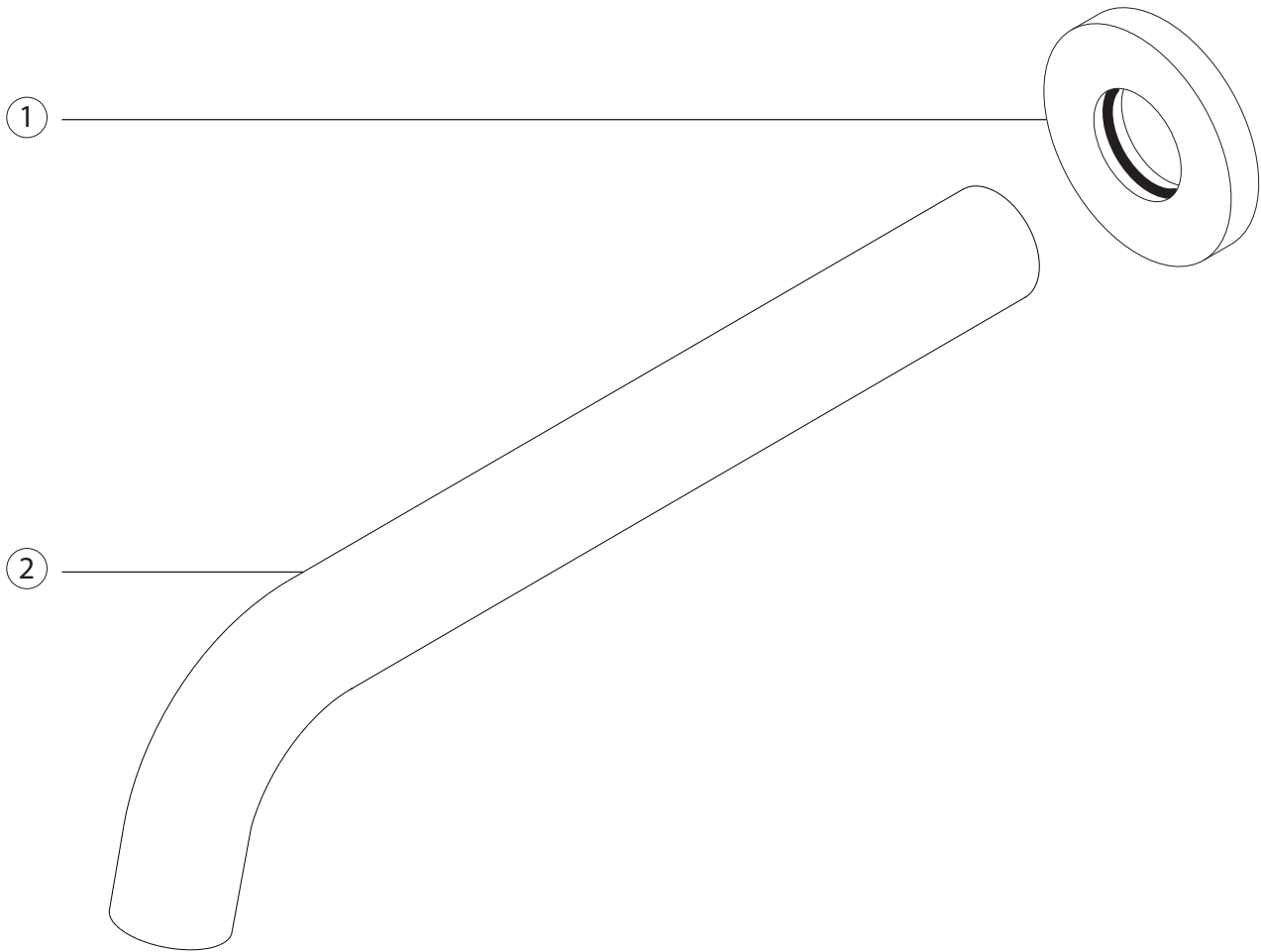
STEP 4





- | | |
|------------------------------|-------------------------------|
| ① ESCUTCHEON: F903-8P | ⑧ LOCKING NUT SET SCREW |
| ② DIVERTER LOCKING NUT | ⑨ THERMOSTAT LOCKING NUT |
| ③ NYLON WASHER | ⑩ NYLON WASHER |
| ④ HANDLE HOLE CAP | ⑪ TEMPERATURE LIMITING RING |
| ⑤ DIVERTER HANDLE LEVER | ⑫ THERMOSTAT HANDLE: F904A-1H |
| ⑥ DIVERTER SET SCREW | ⑬ THERMOSTAT SET SCREW |
| ⑦ DIVERTER HANDLE: F903A-12H | ⑭ ALLEN WRENCH |





① **ESCUTCHEON:** F908-45E

② **TUB FILLER SPOUT:** F908-4SP