

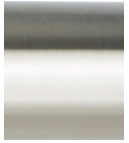
artos®

PS141

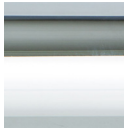
INSTALLATION GUIDE

premier series shower set

BRUSHED NICKEL(BN)



CHROME(CH)



BLACK (BK)



artos[®]

PS141

premier series shower set

OPERATING SPECIFICATIONS



FEATURES

Solid Brass
2-Outlets

INCLUDES

F903B-60TK
F907-70
F907-24



OPERATING PRESSURE

Minimum: 15 psi
Maximum: 75 psi
Above 90psi it may be necessary to install a pressure reducer

OPERATING TEMPERATURE

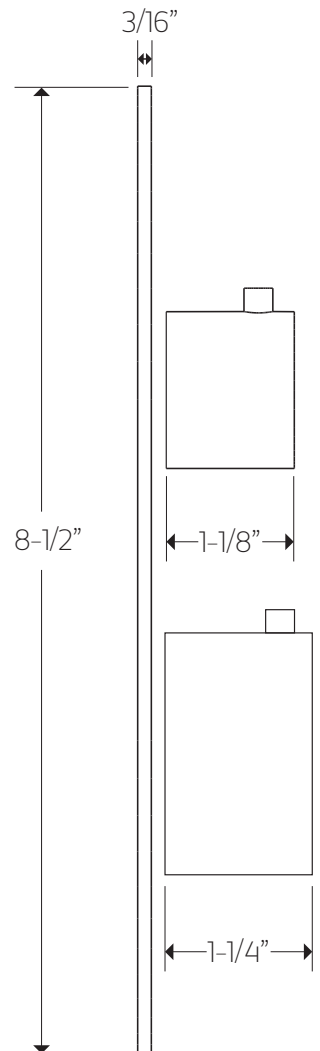
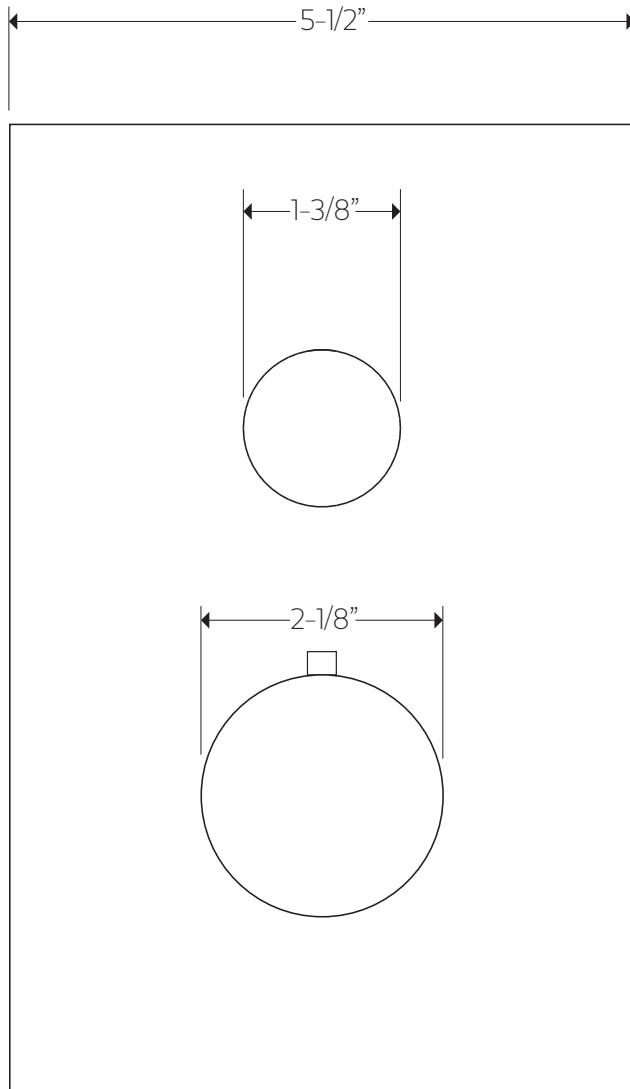
Maximum: 176°

FLOW CAPACITY

Hand Shower: 1.8 USGPM
Shower Head: 1.8 USGPM

APPROVAL





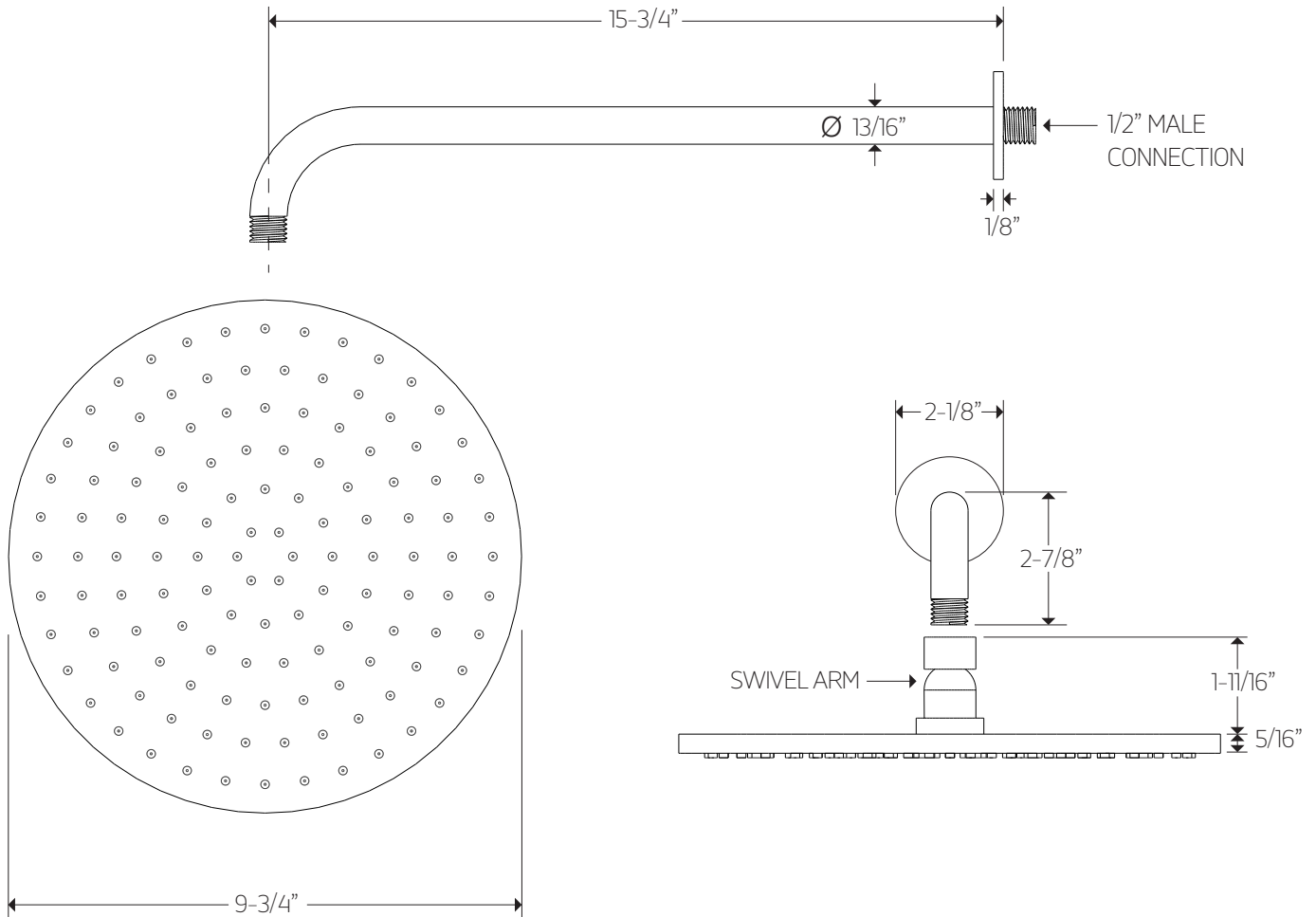
artos[®]

PS141

PRODUCT DIMENSIONS

premier series shower set

for shower head



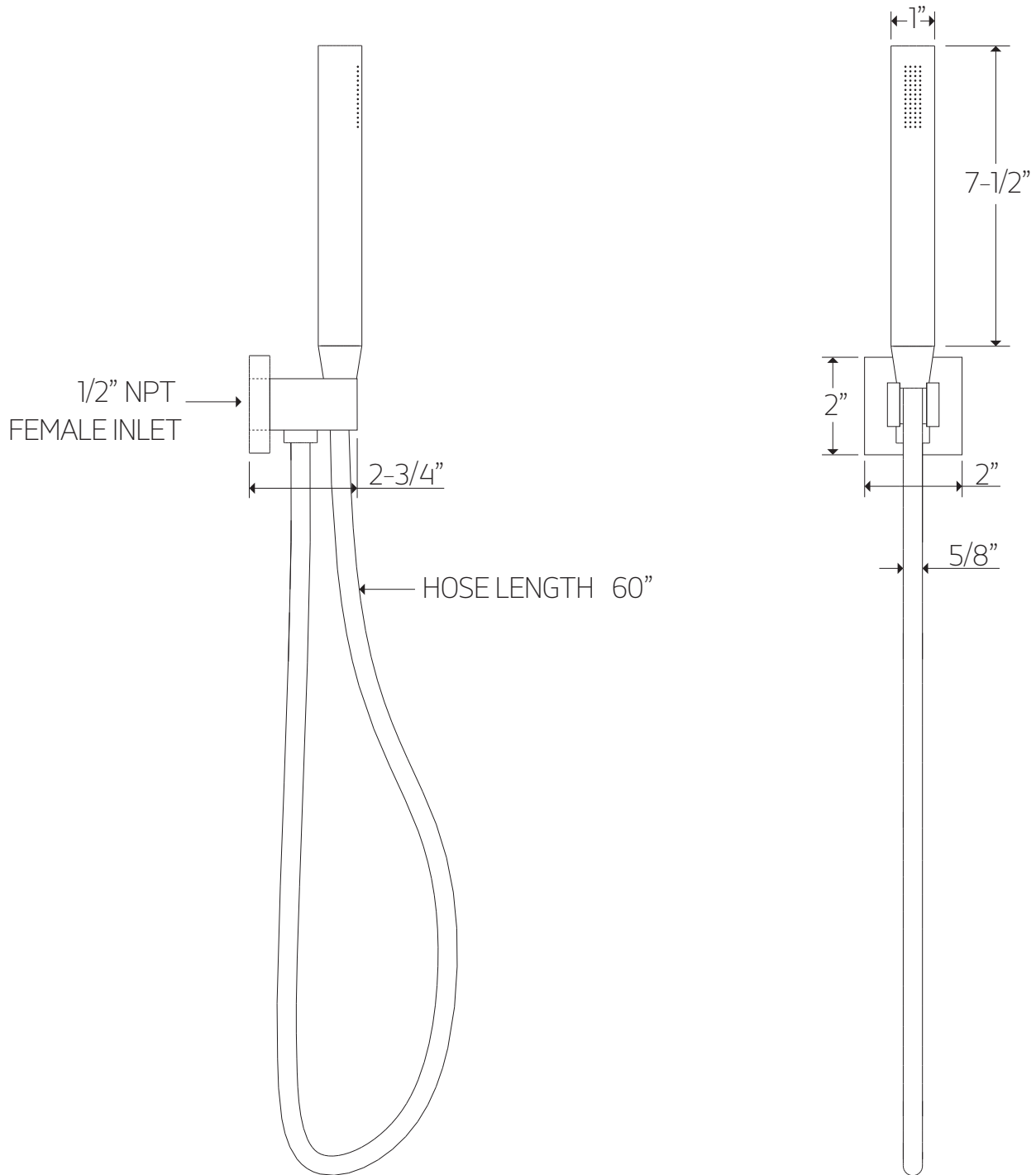
artos[®]

PS141

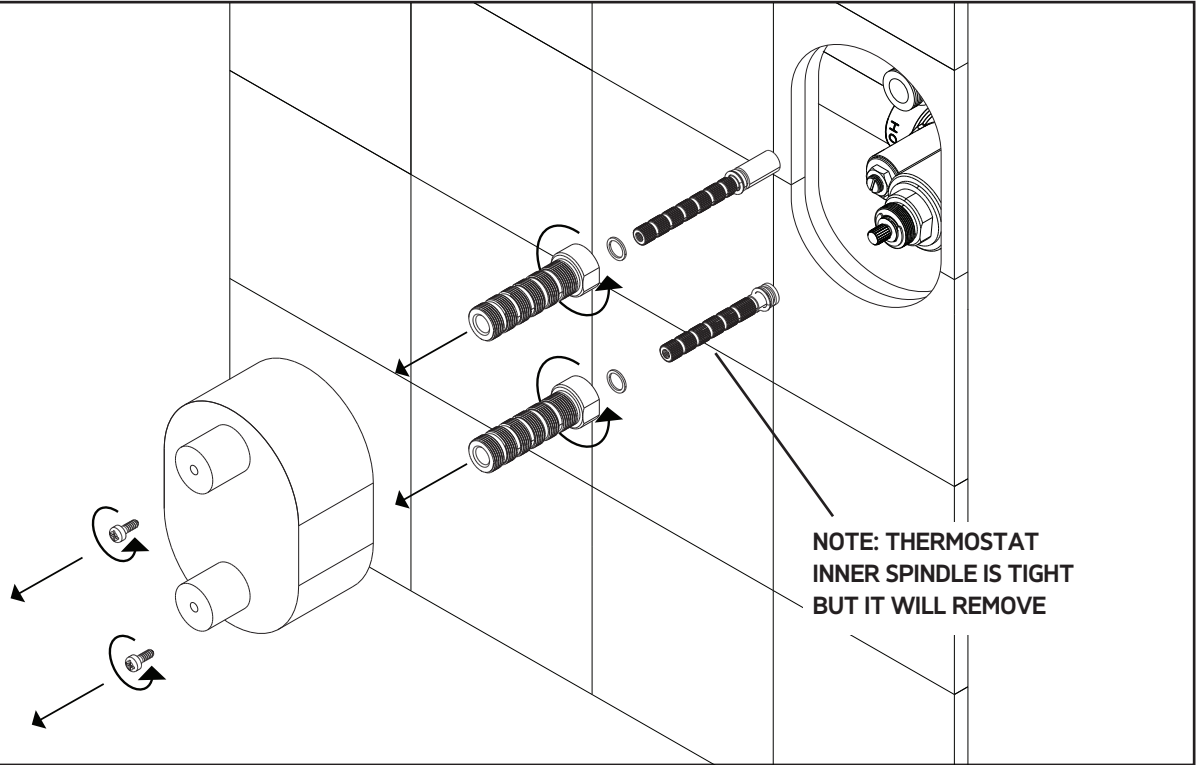
PRODUCT DIMENSIONS

premier series shower set

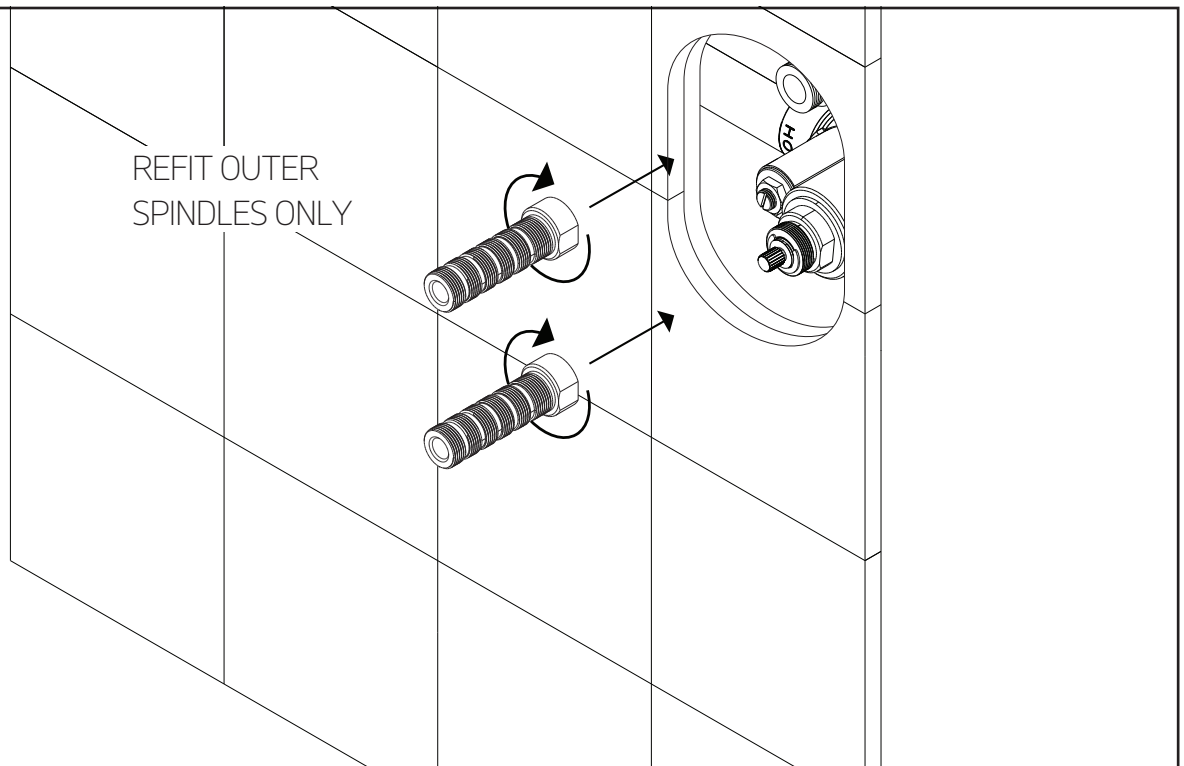
for hand shower



STEP 1

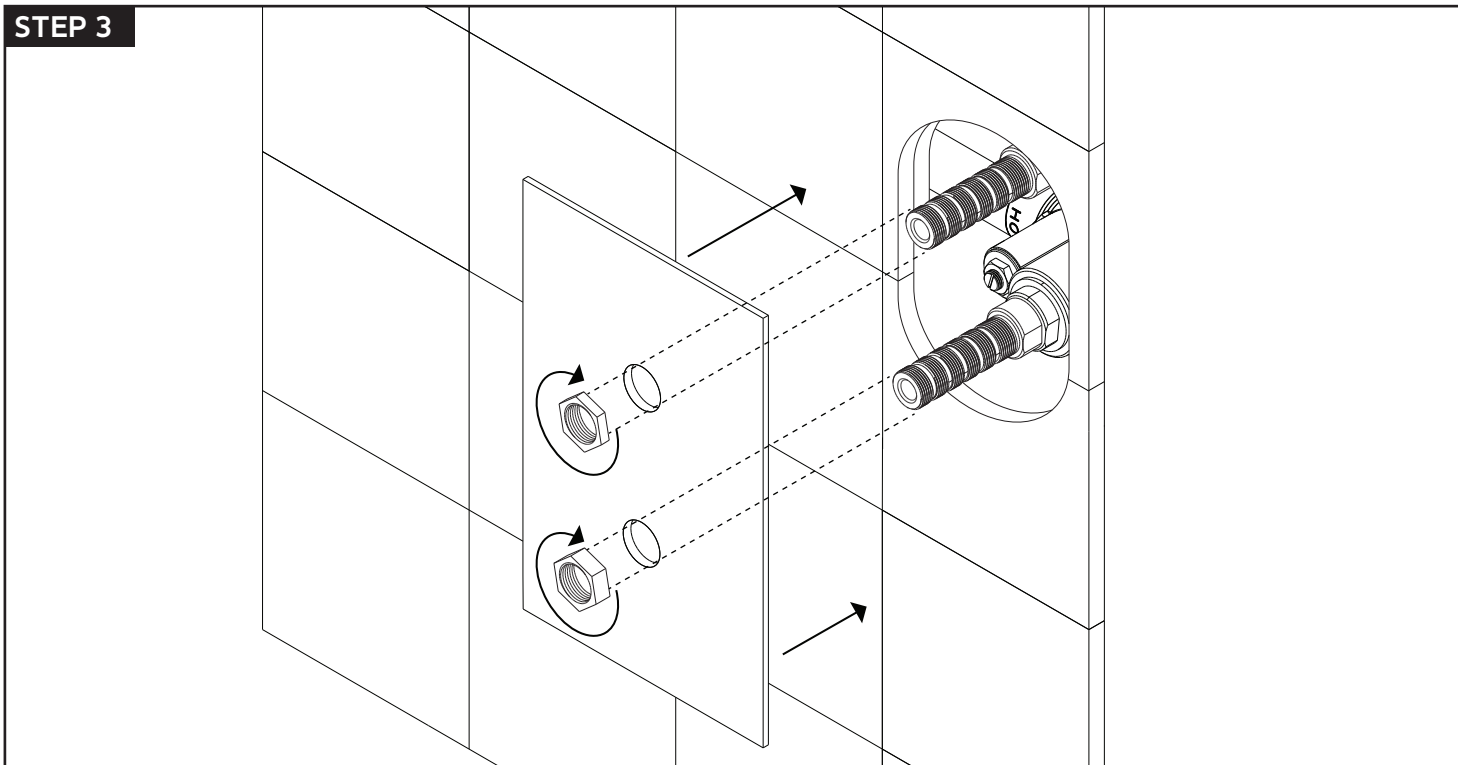


STEP 2

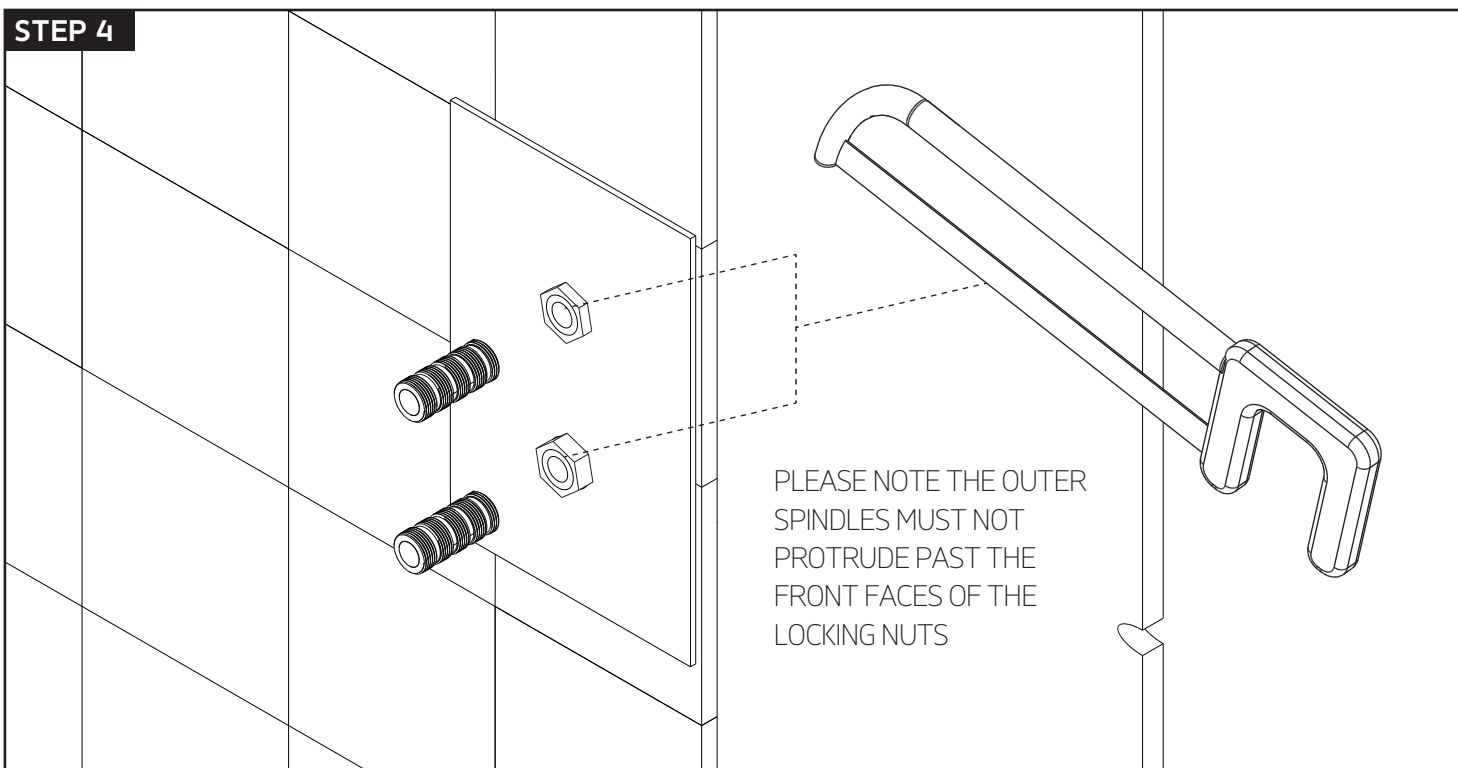


INSTALLATION STEPS

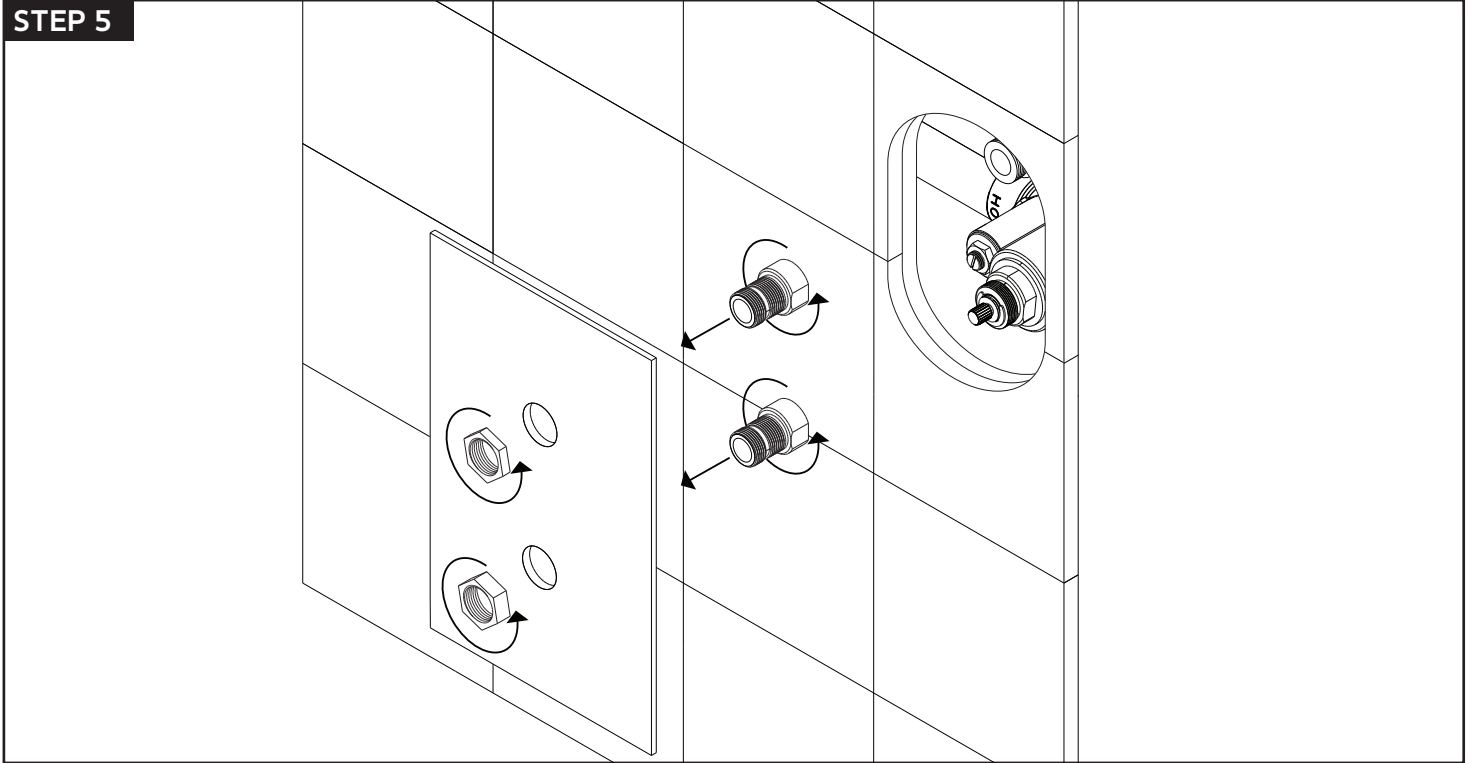
STEP 3



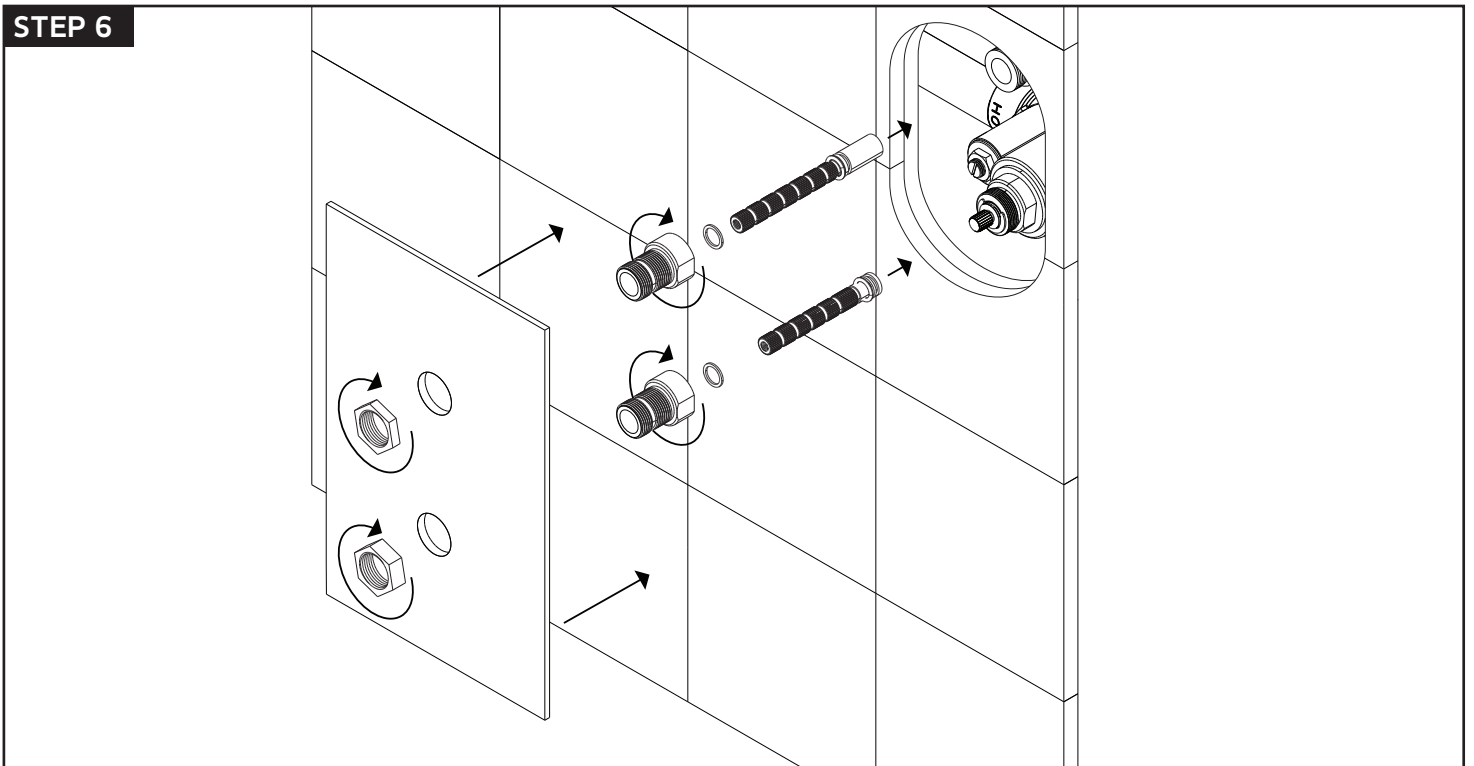
STEP 4



STEP 5

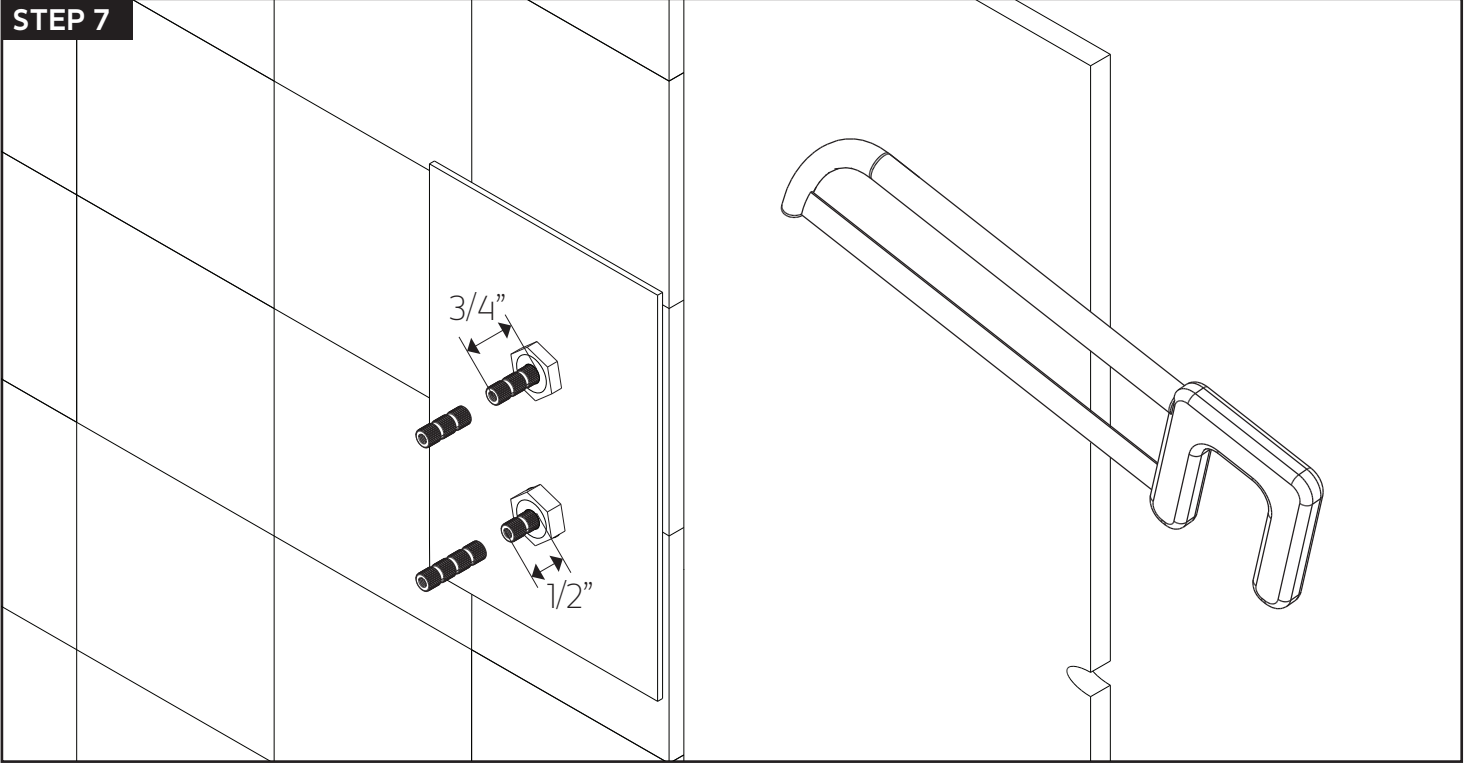


STEP 6

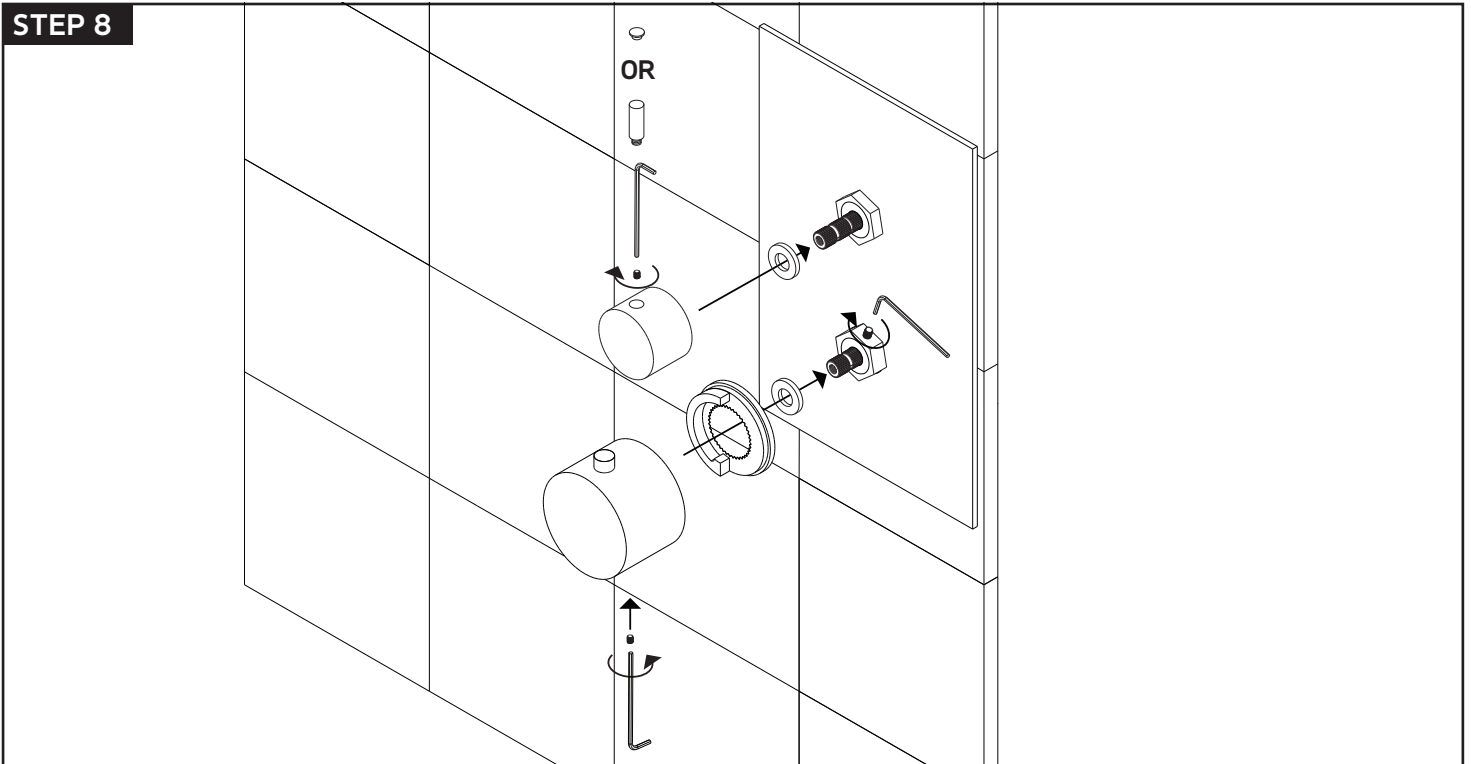


INSTALLATION STEPS

STEP 7



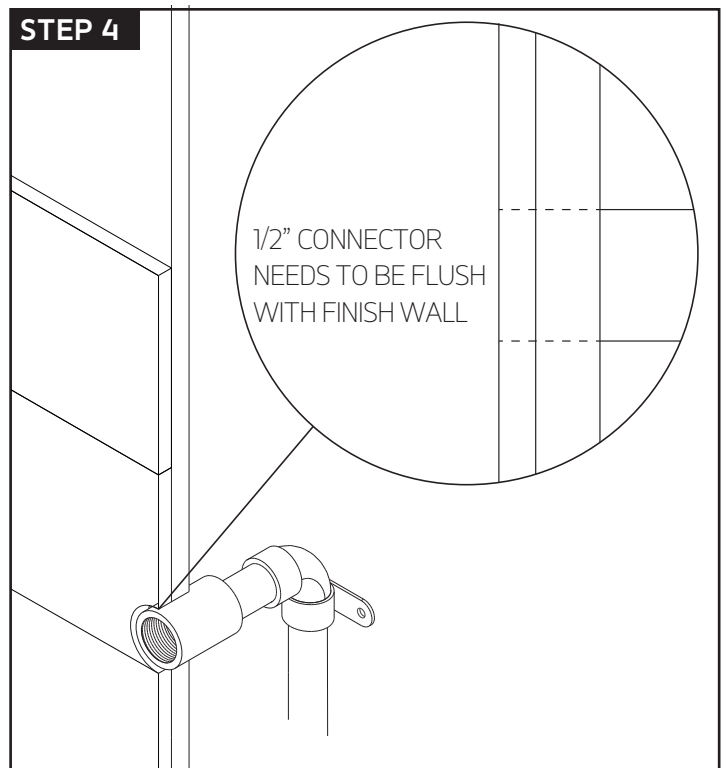
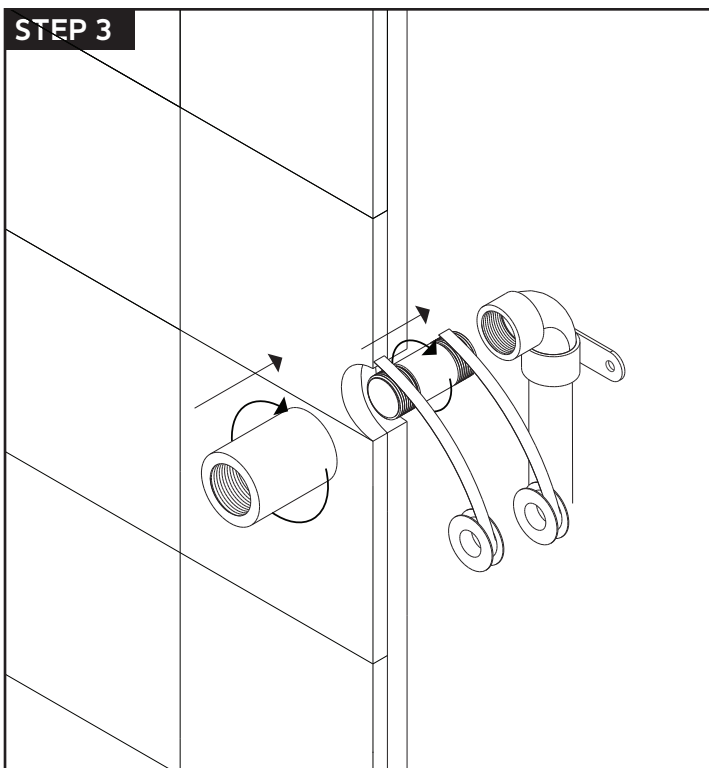
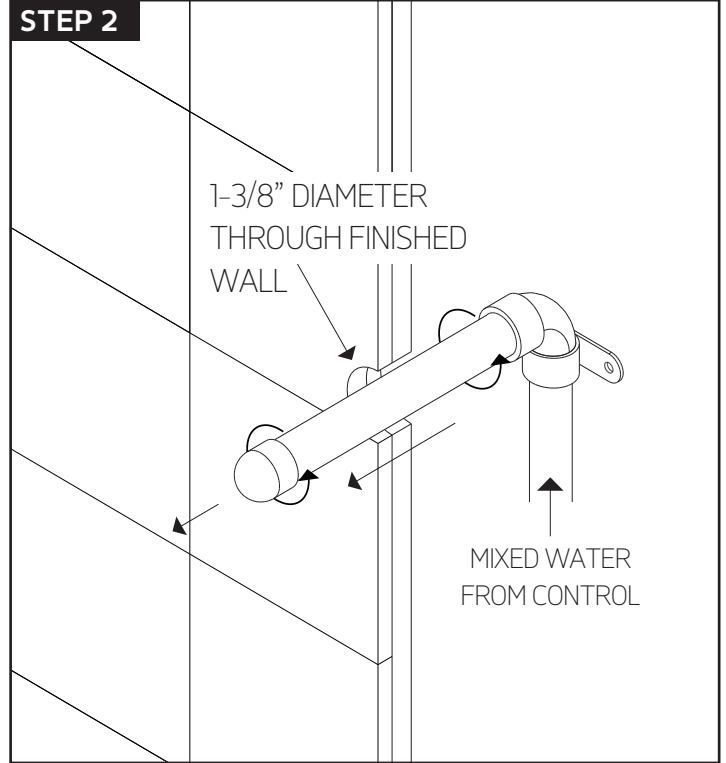
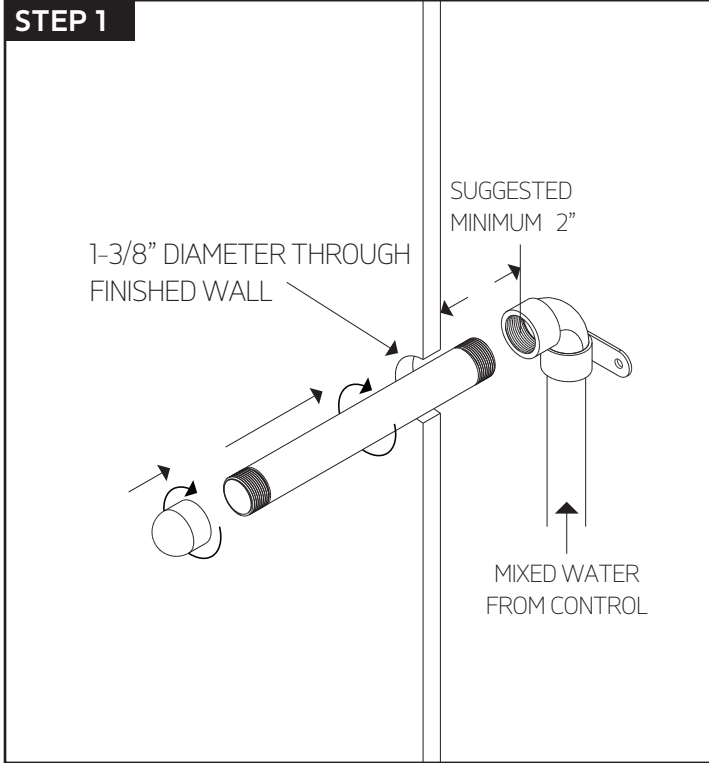
STEP 8



artos[®]

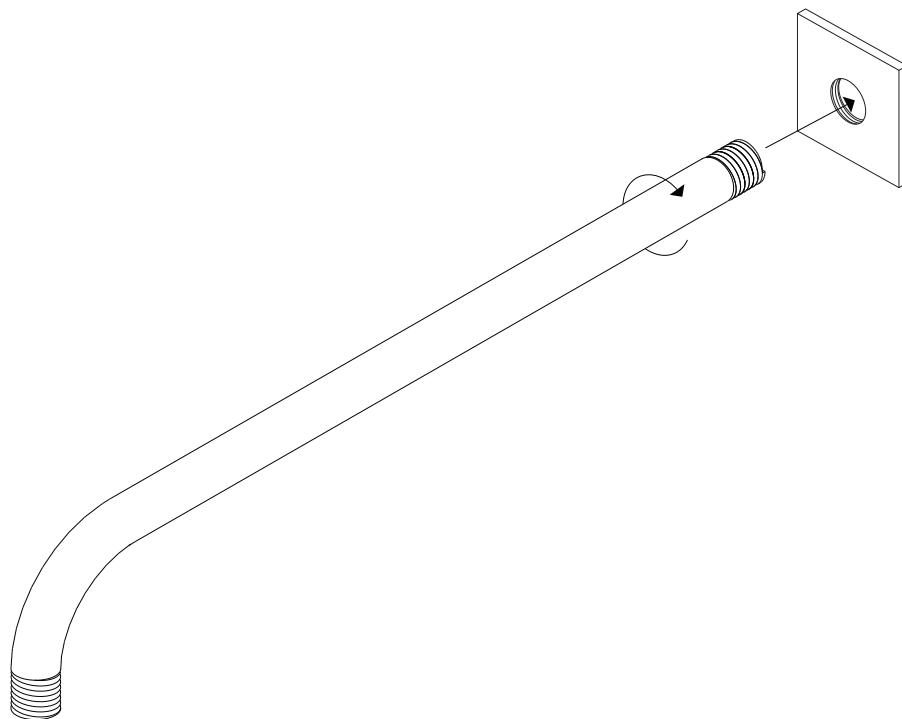
PS141

shower head

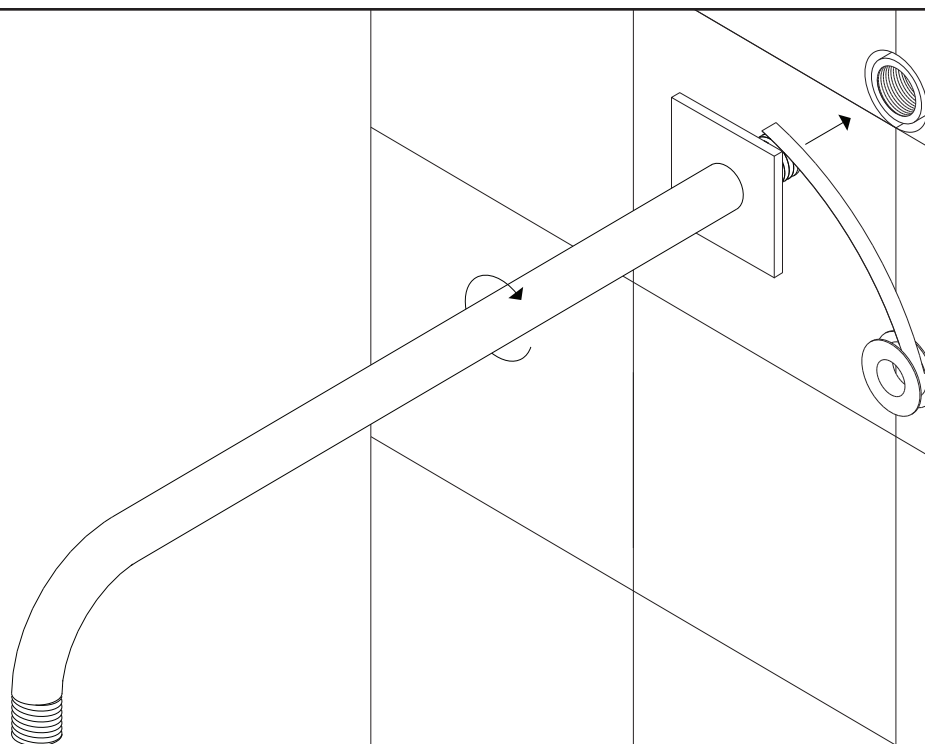


INSTALLATION STEPS

STEP 5



STEP 6



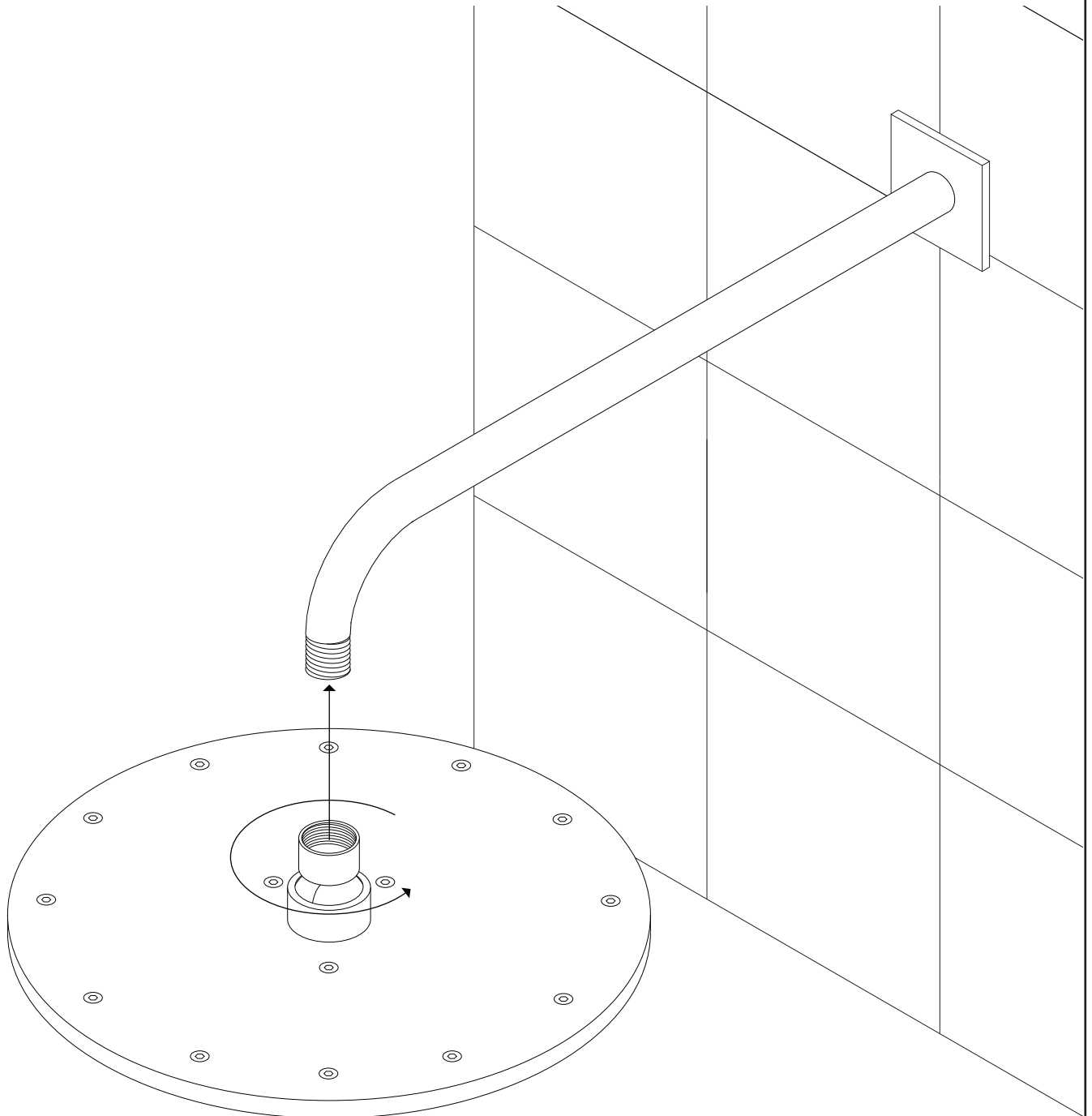
artos[®]

PS141

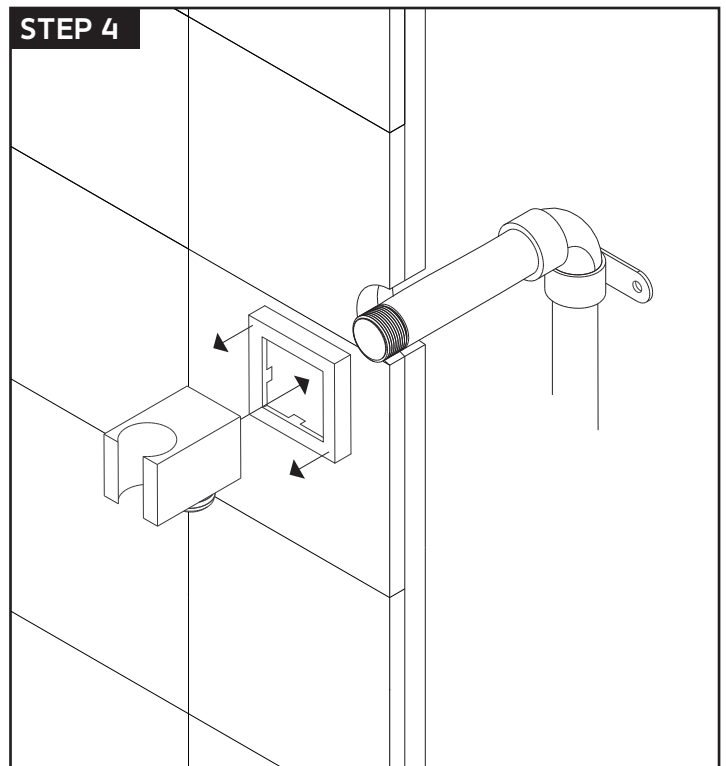
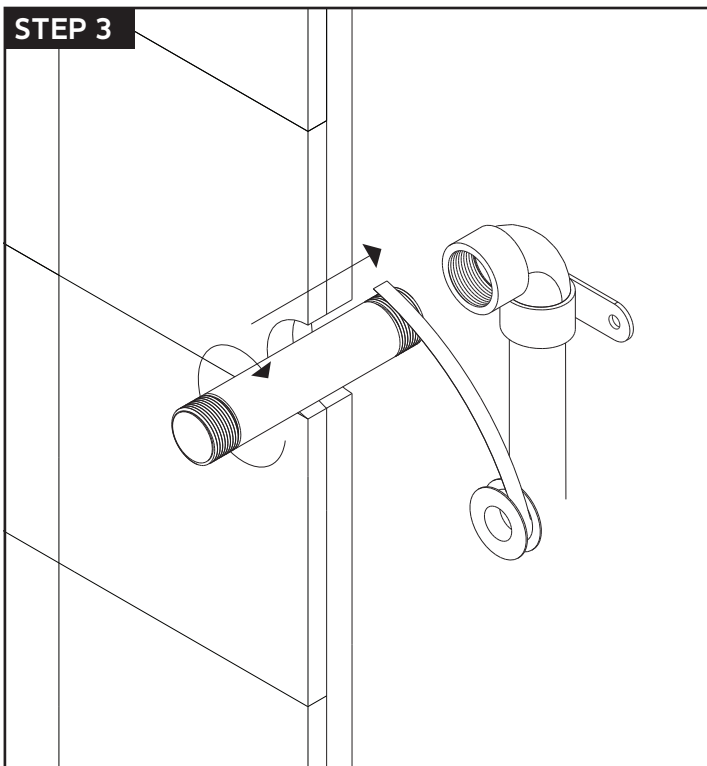
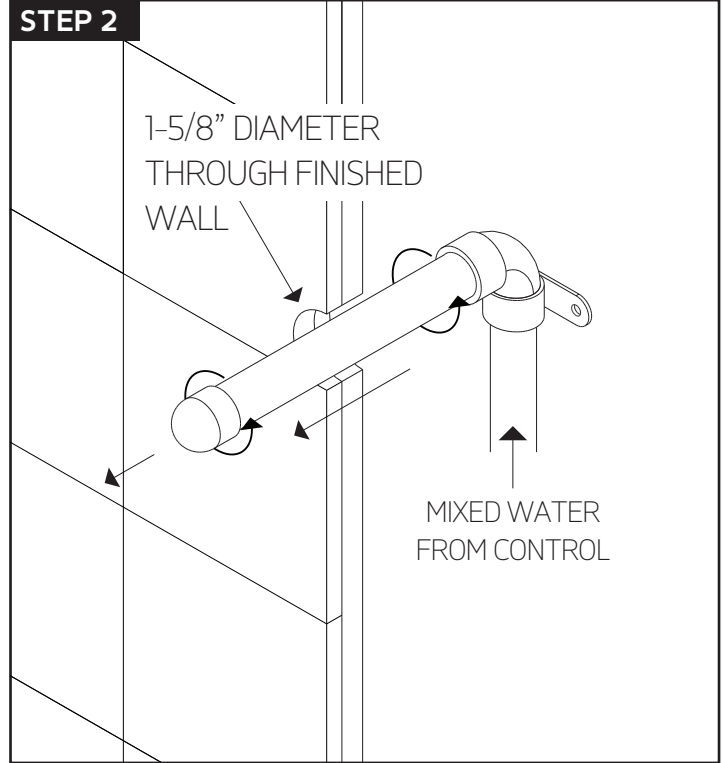
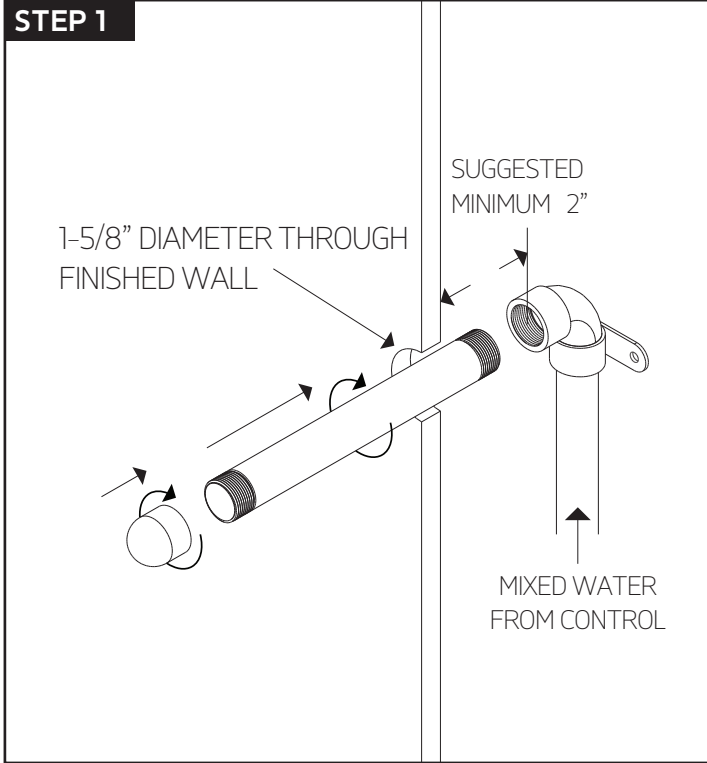
INSTALLATION STEPS

valve trim

STEP 7



hand shower



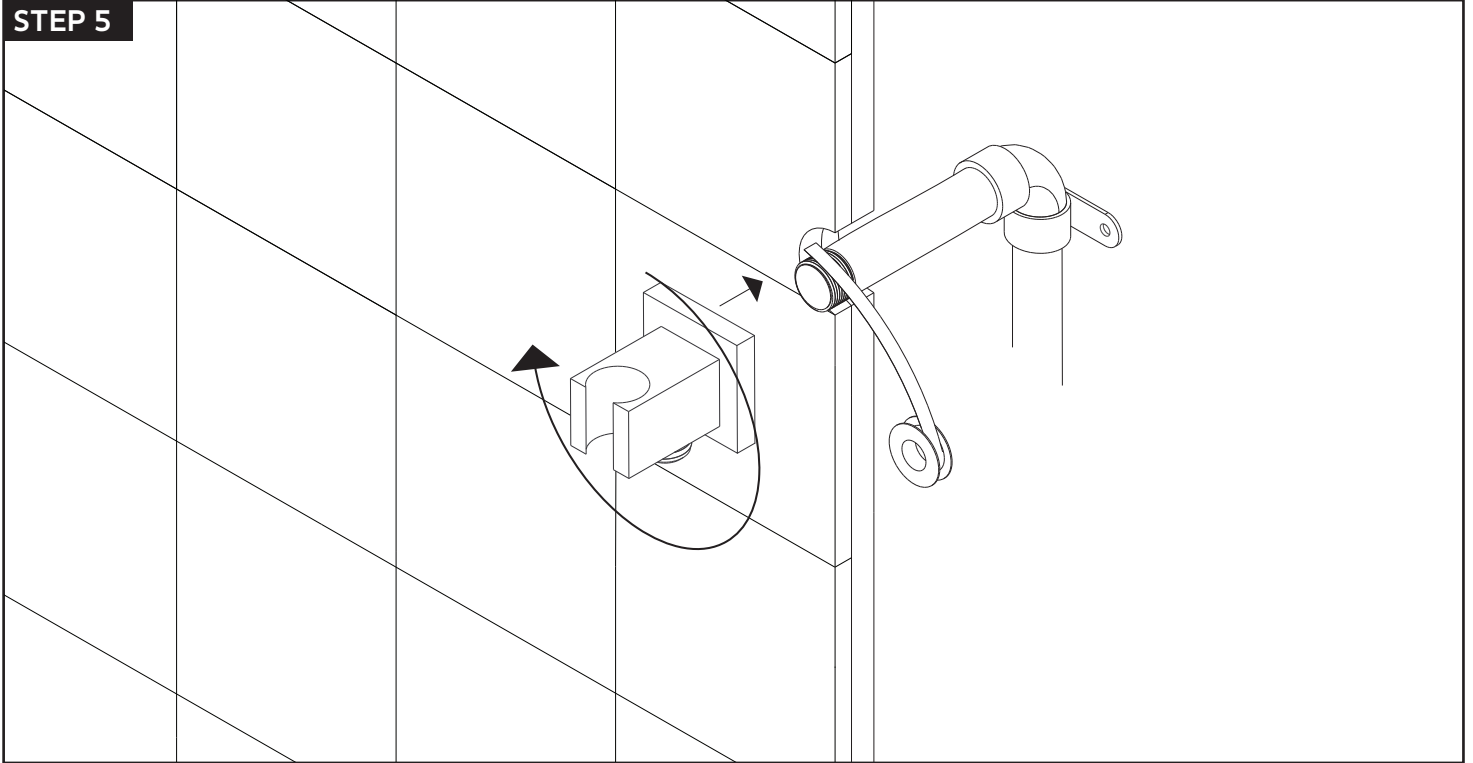
artos[®]

PS141

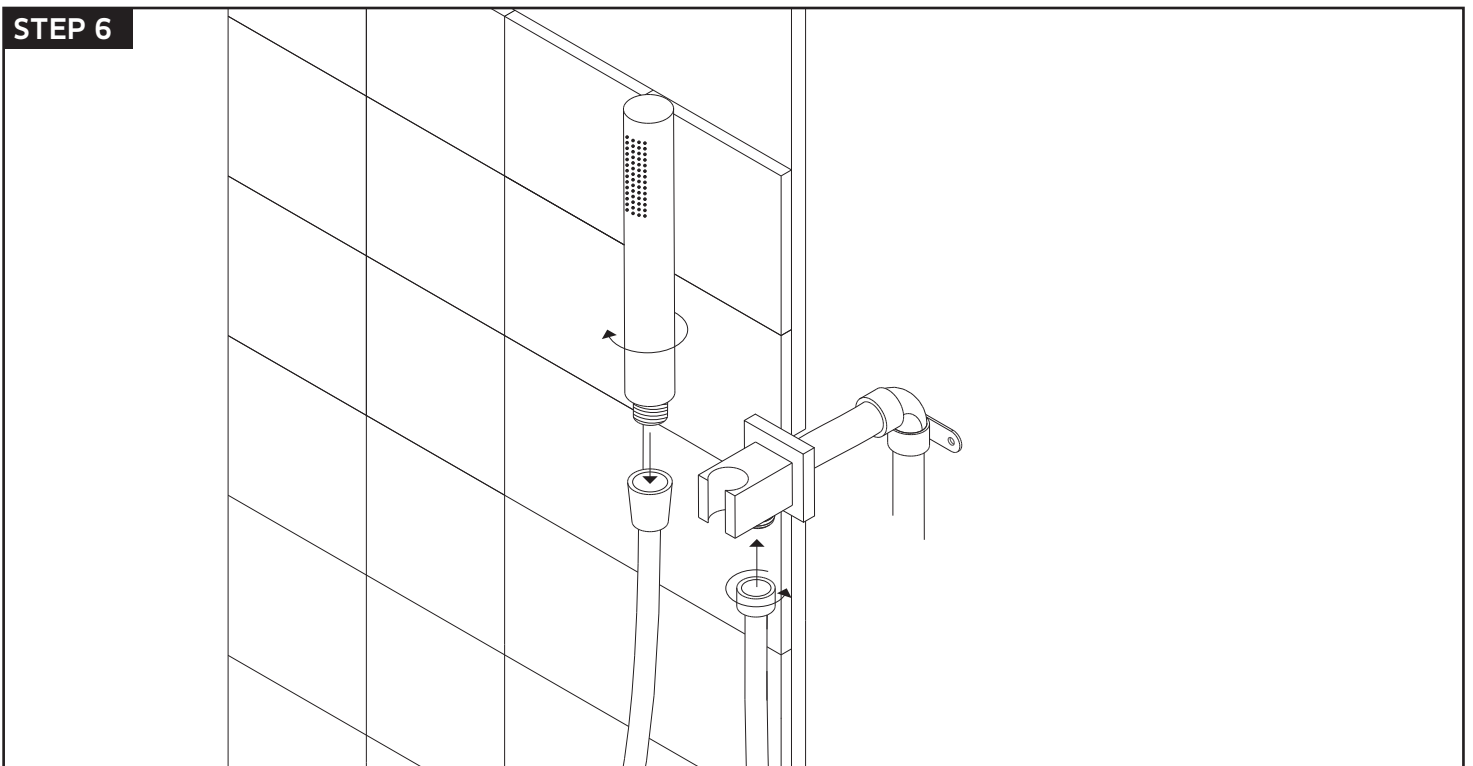
INSTALLATION STEPS

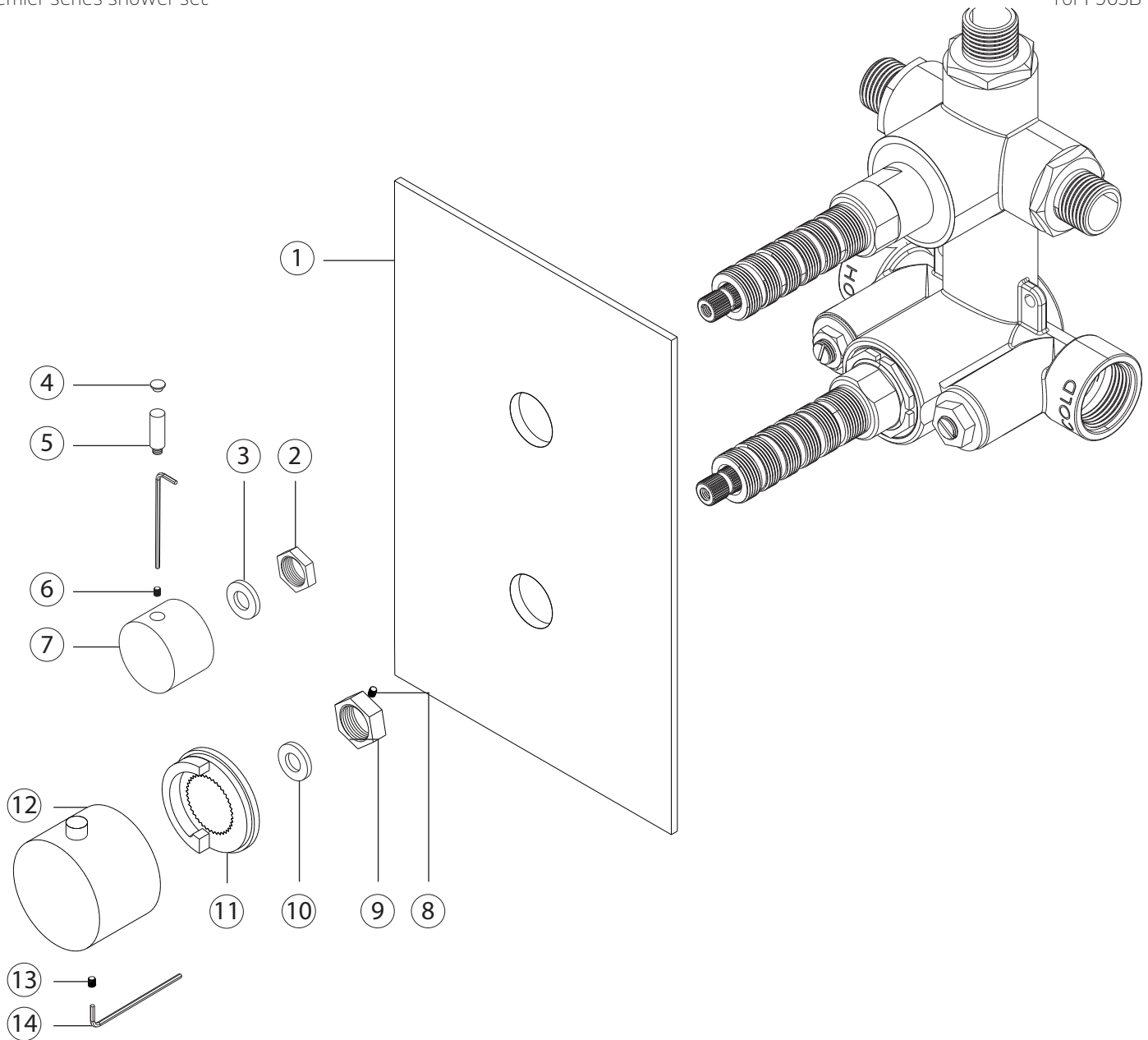
hand shower

STEP 5



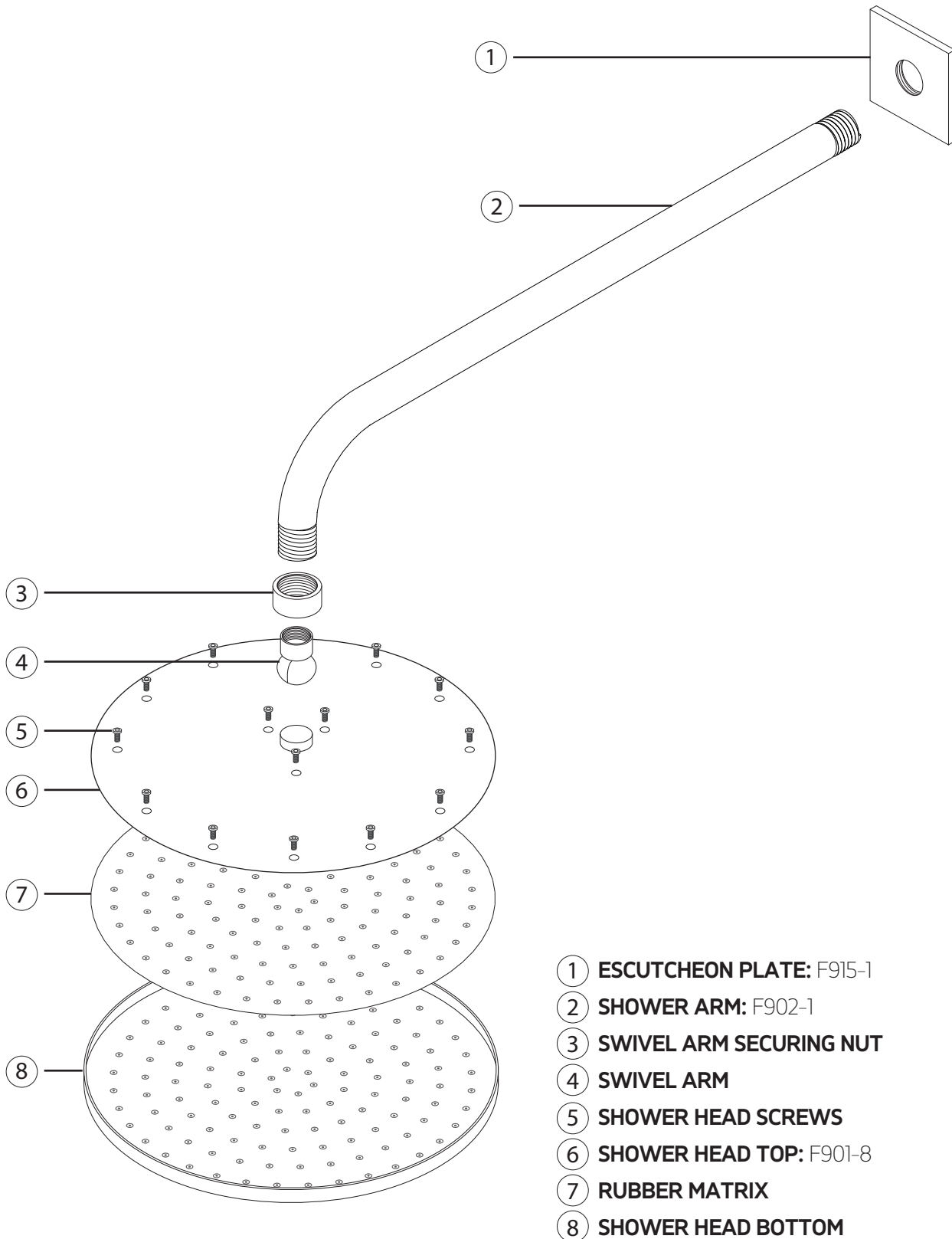
STEP 6



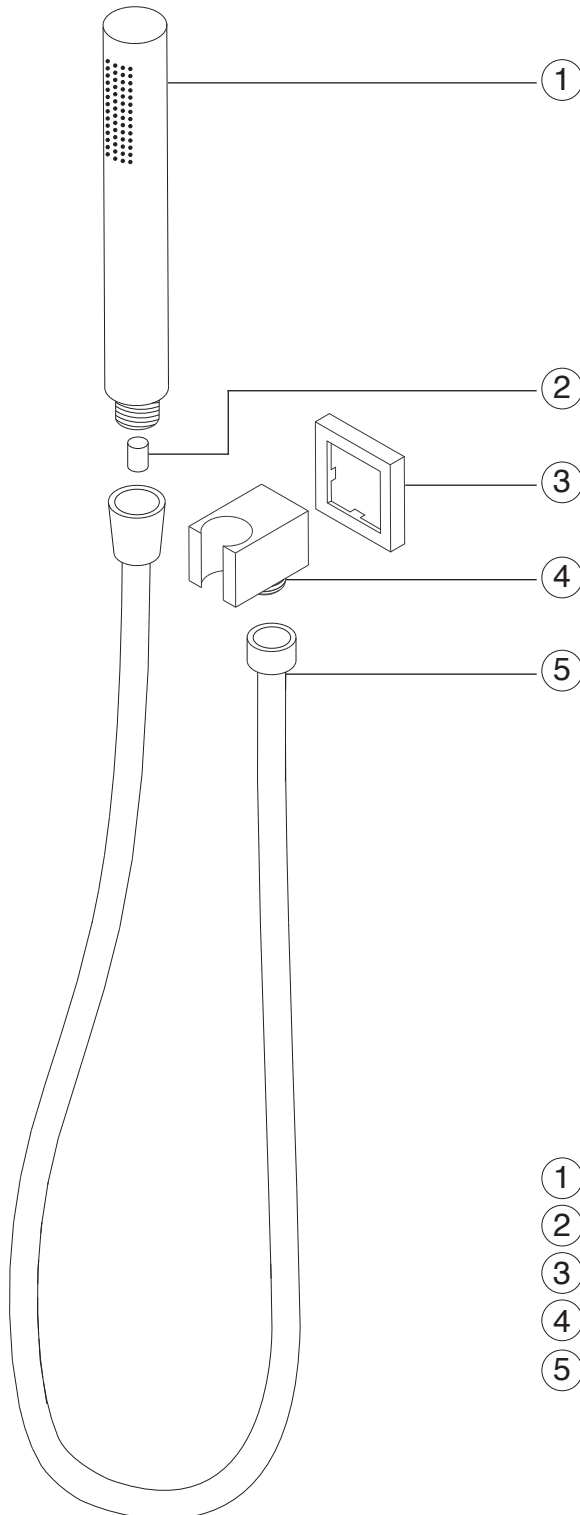


- ① ESCUTCHEON: F903A-9P
- ② DIVERTER LOCKING NUT
- ③ NYLON WASHER
- ④ HANDLE HOLE CAP
- ⑤ DIVERTER HANDLE LEVER
- ⑥ DIVERTER SET SCREW
- ⑦ DIVERTER HANDLE: F903A-12H

- ⑧ LOCKING NUT SET SCREW
- ⑨ THERMOSTAT LOCKING NUT
- ⑩ NYLON WASHER
- ⑪ TEMPERATURE LIMITING RING
- ⑫ THERMOSTAT HANDLE: F904A-1H
- ⑬ THERMOSTAT SET SCREW
- ⑭ ALLEN WRENCH



- ① ESCUTCHEON PLATE: F915-1
- ② SHOWER ARM: F902-1
- ③ SWIVEL ARM SECURING NUT
- ④ SWIVEL ARM
- ⑤ SHOWER HEAD SCREWS
- ⑥ SHOWER HEAD TOP: F901-8
- ⑦ RUBBER MATRIX
- ⑧ SHOWER HEAD BOTTOM



- ① **HAND SHOWER:** F901-3
- ② **HAND SHOWER CHECK VALVE**
- ③ **ESCUTCHEON PLATE**
- ④ **SHOWER OUTLET ELBOW AND HOLDER:** FSC1002
- ⑤ **SHOWER HOSE:** F902-8