

artos[®]

PS140

INSTALLATION GUIDE

premier series shower set

BRUSHED NICKEL (BN)



CHROME (CH)



BLACK (BK)



SATIN BRASS (SB)



artos[®]

PS140

premier series shower set

OPERATING SPECIFICATIONS



FEATURES

Solid Brass
2-Outlets

INCLUDES

F903B-58TK
F907-5
F907-60



OPERATING PRESSURE

Minimum: 15 psi
Maximum: 75 psi
Above 90psi it may be necessary to install a pressure reducer

OPERATING TEMPERATURE

Maximum: 176°

FLOW CAPACITY

Hand Shower: 2.0 USGPM
Shower Head: 1.8 USGPM

F901-8 APPROVAL



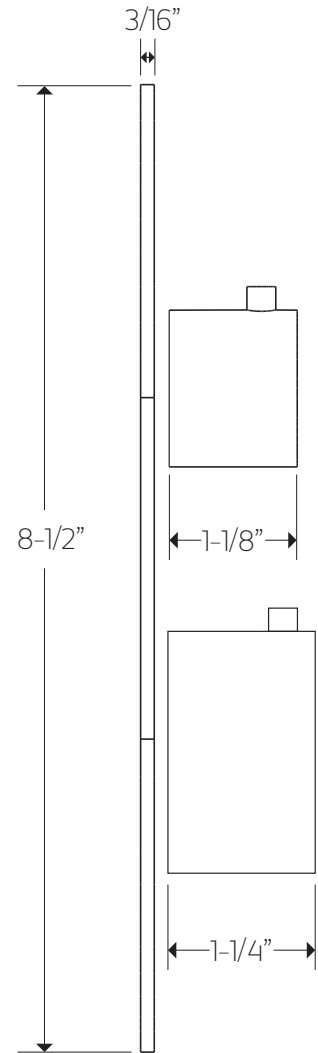
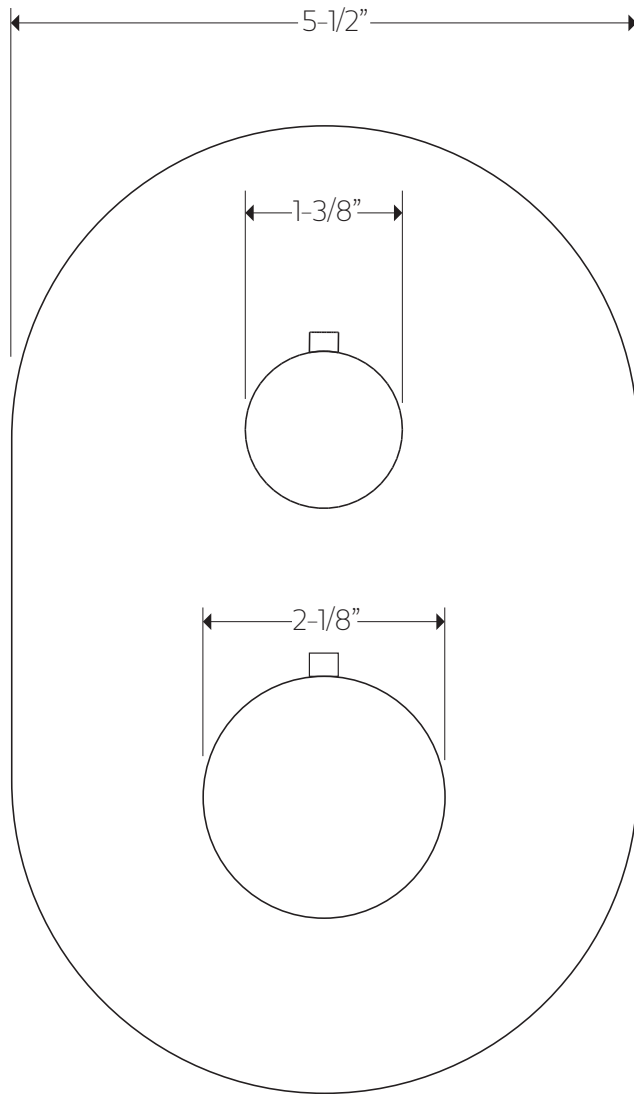
artos[®]

PS140

PRODUCT DIMENSIONS

premier series shower set

for trim kit



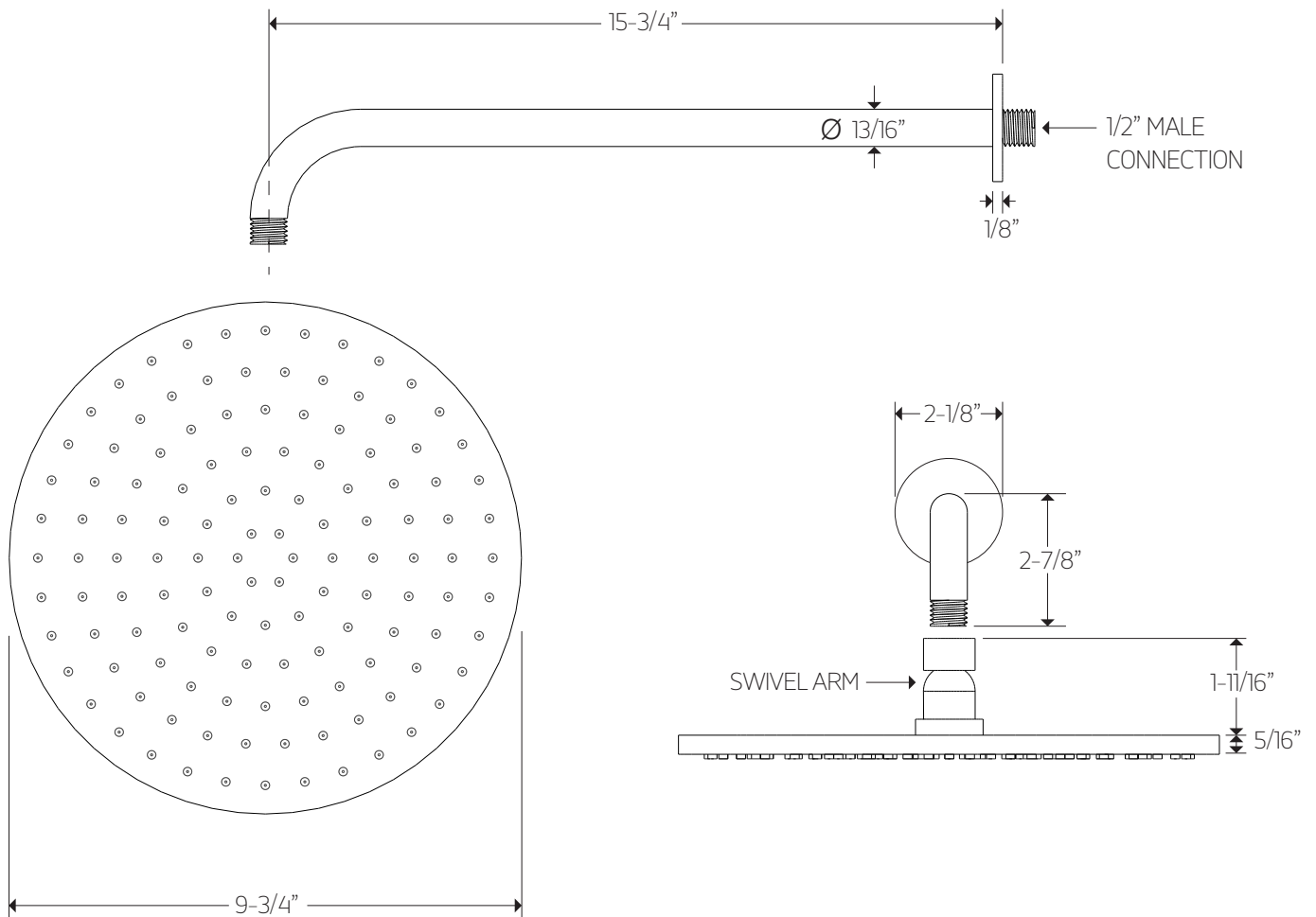
artos[®]

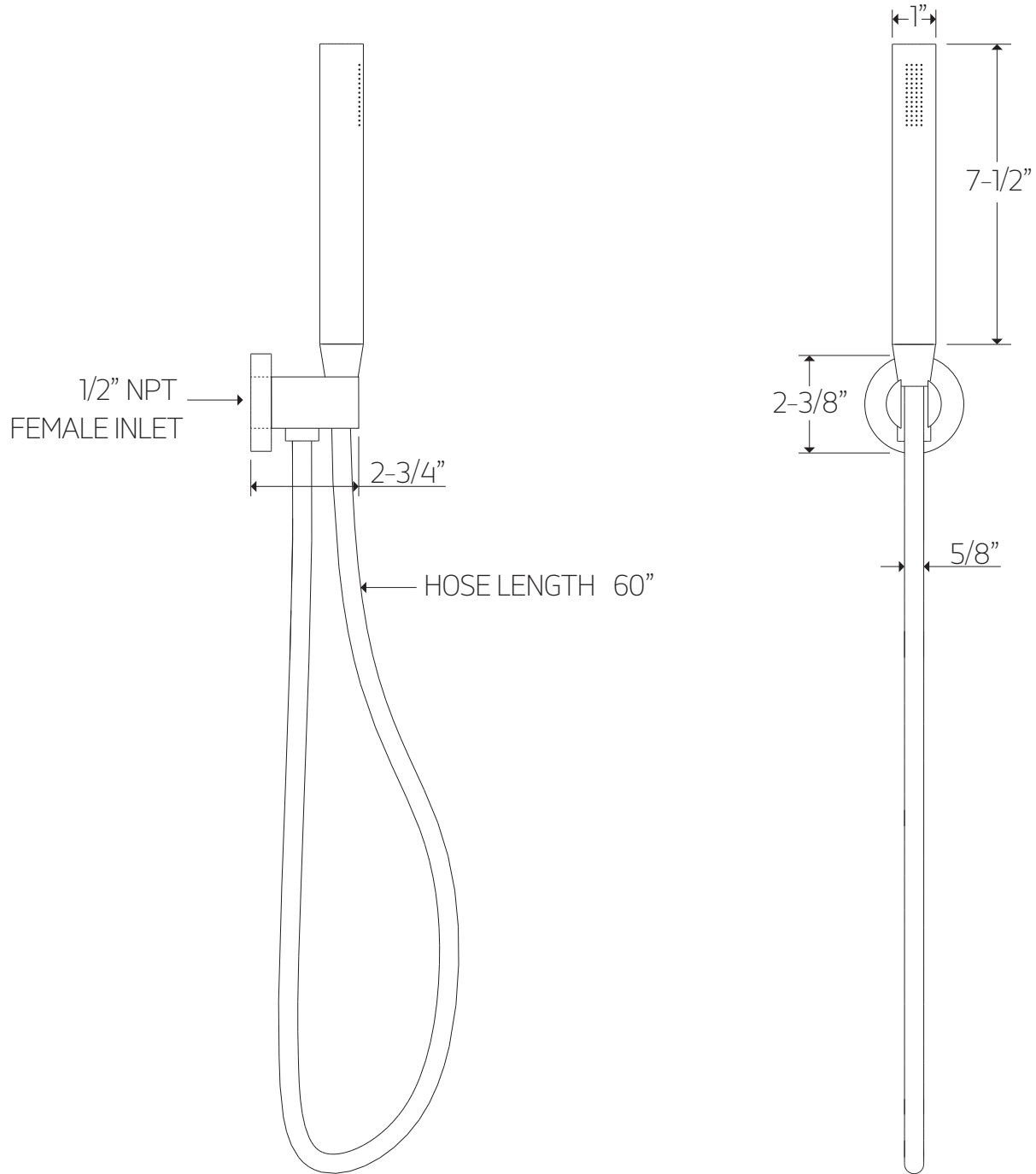
PS140

premier series shower set

PRODUCT DIMENSIONS

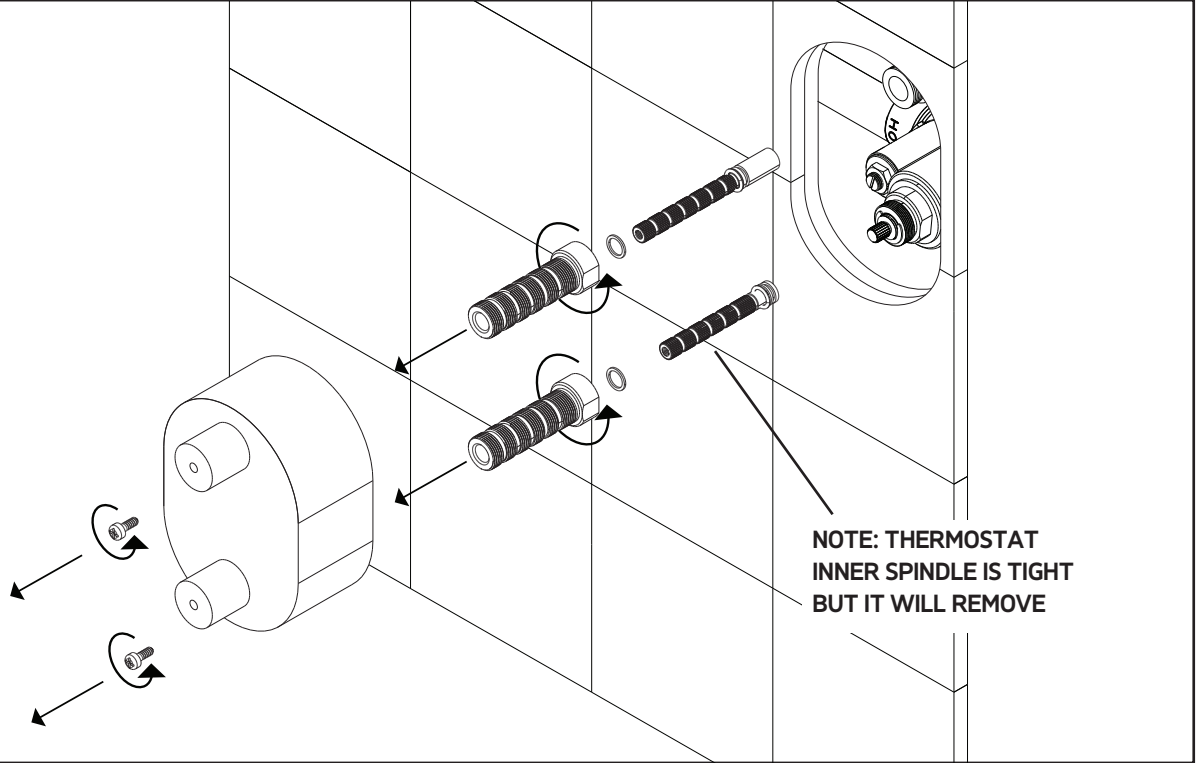
for showerhead



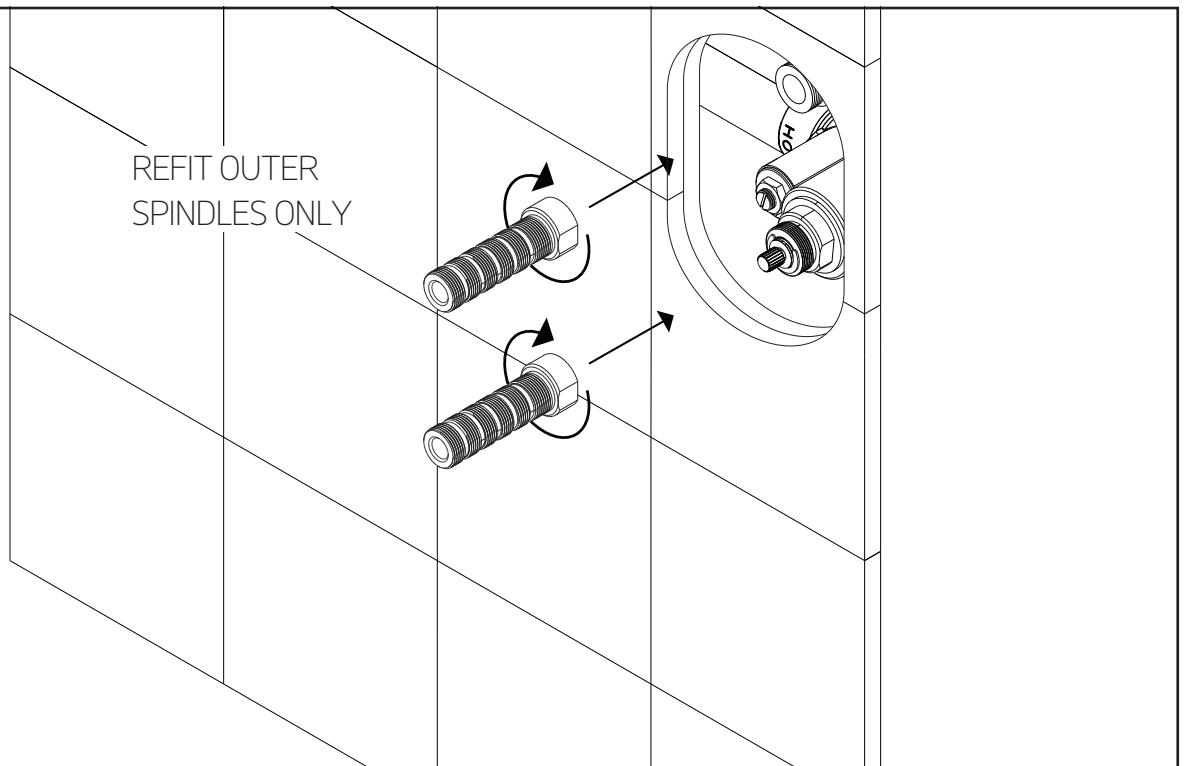


valve trim

STEP 1

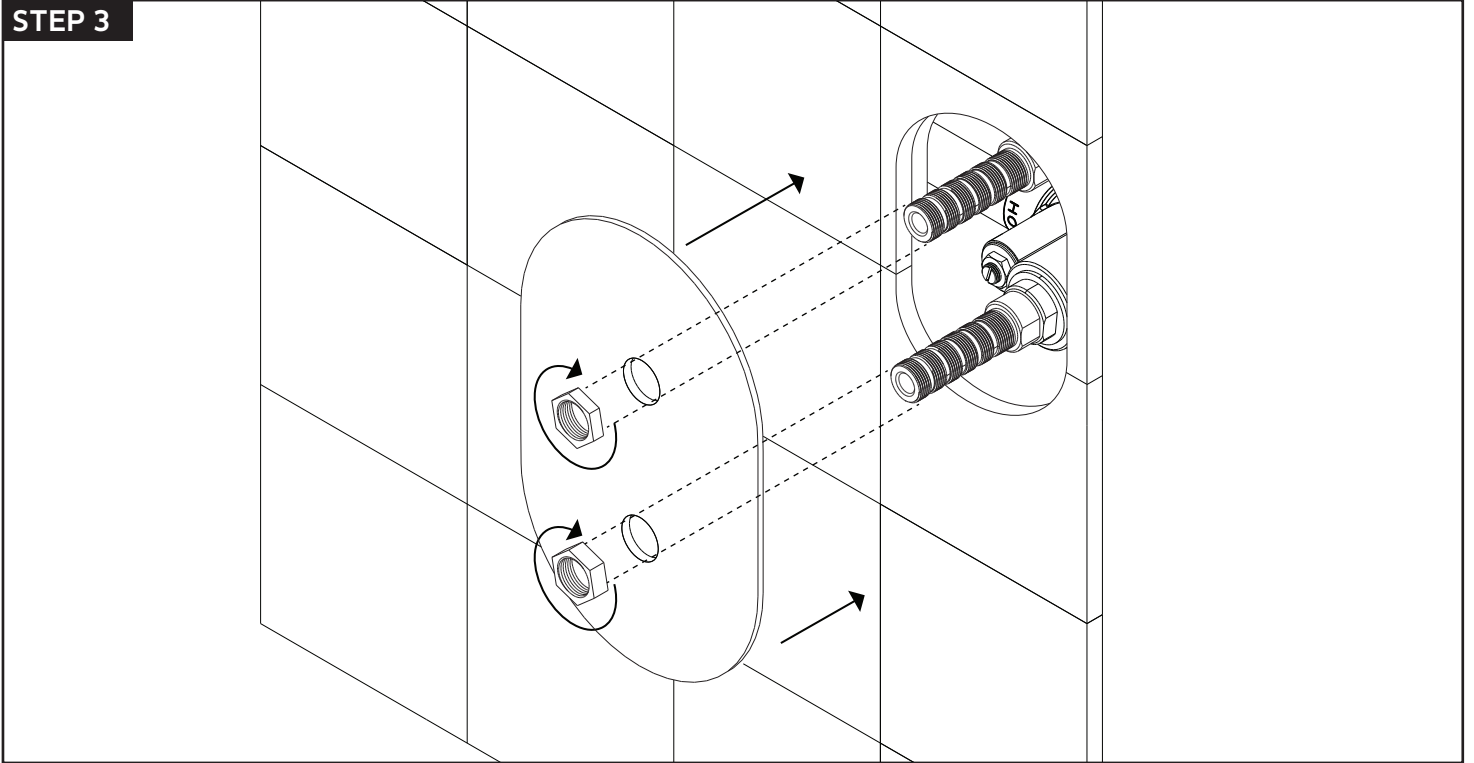


STEP 2

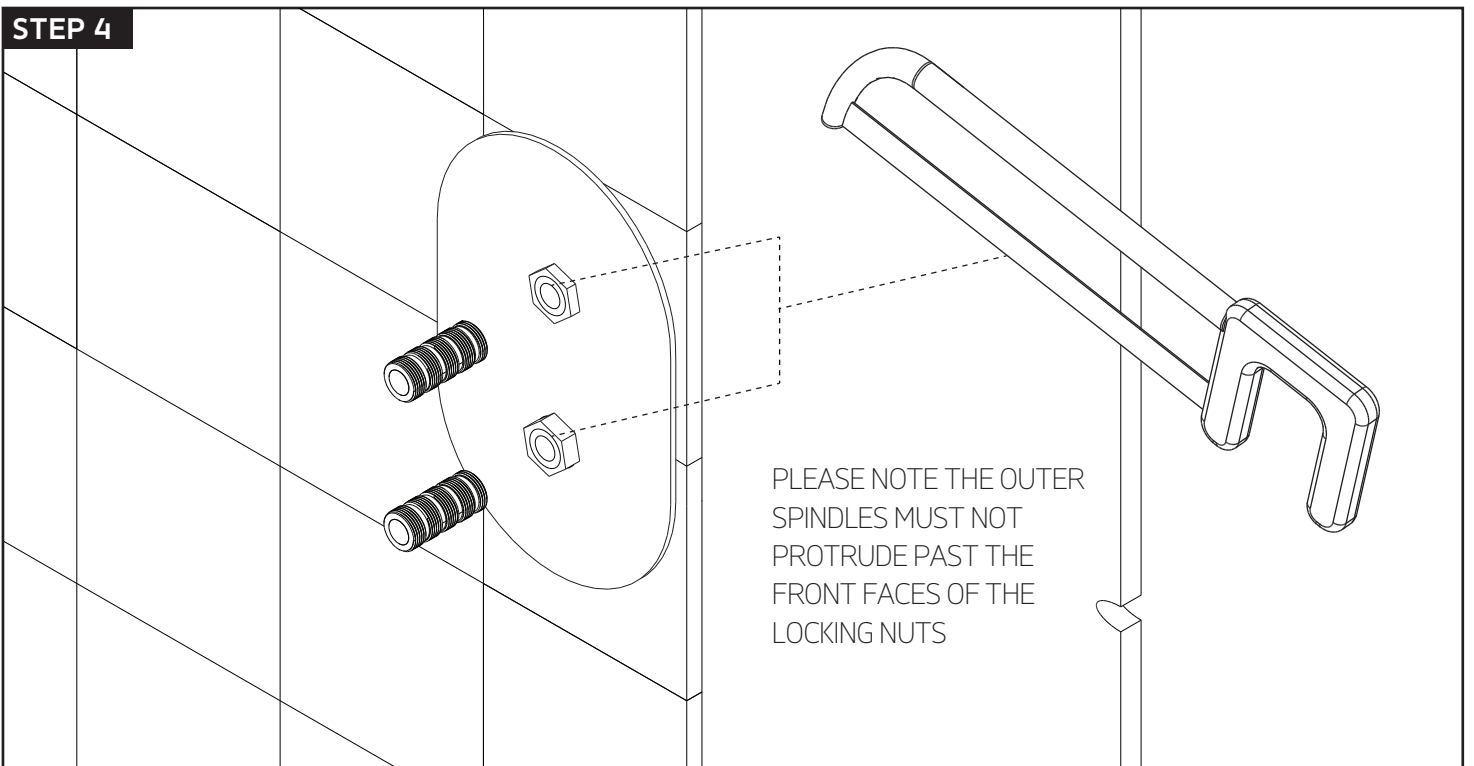


INSTALLATION STEPS

STEP 3

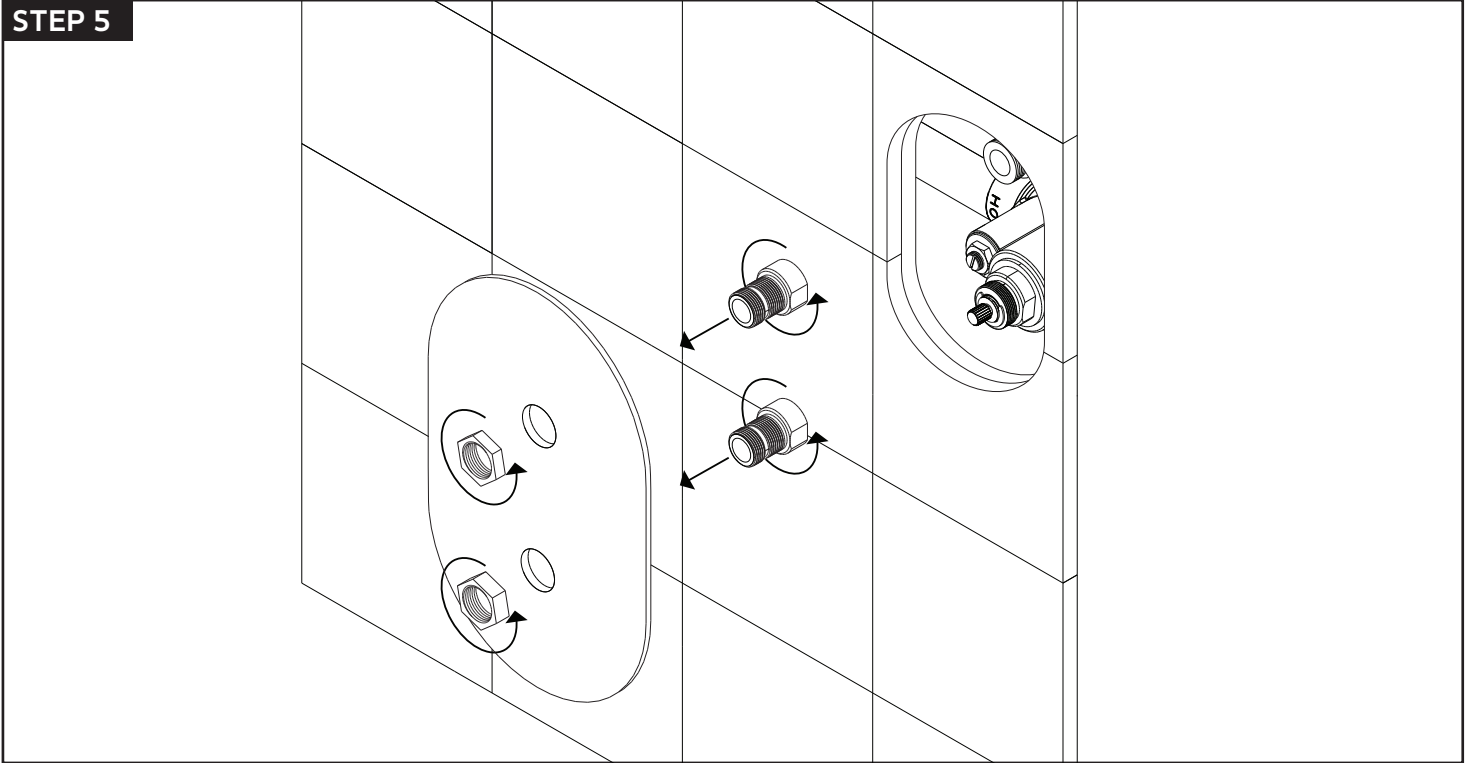


STEP 4

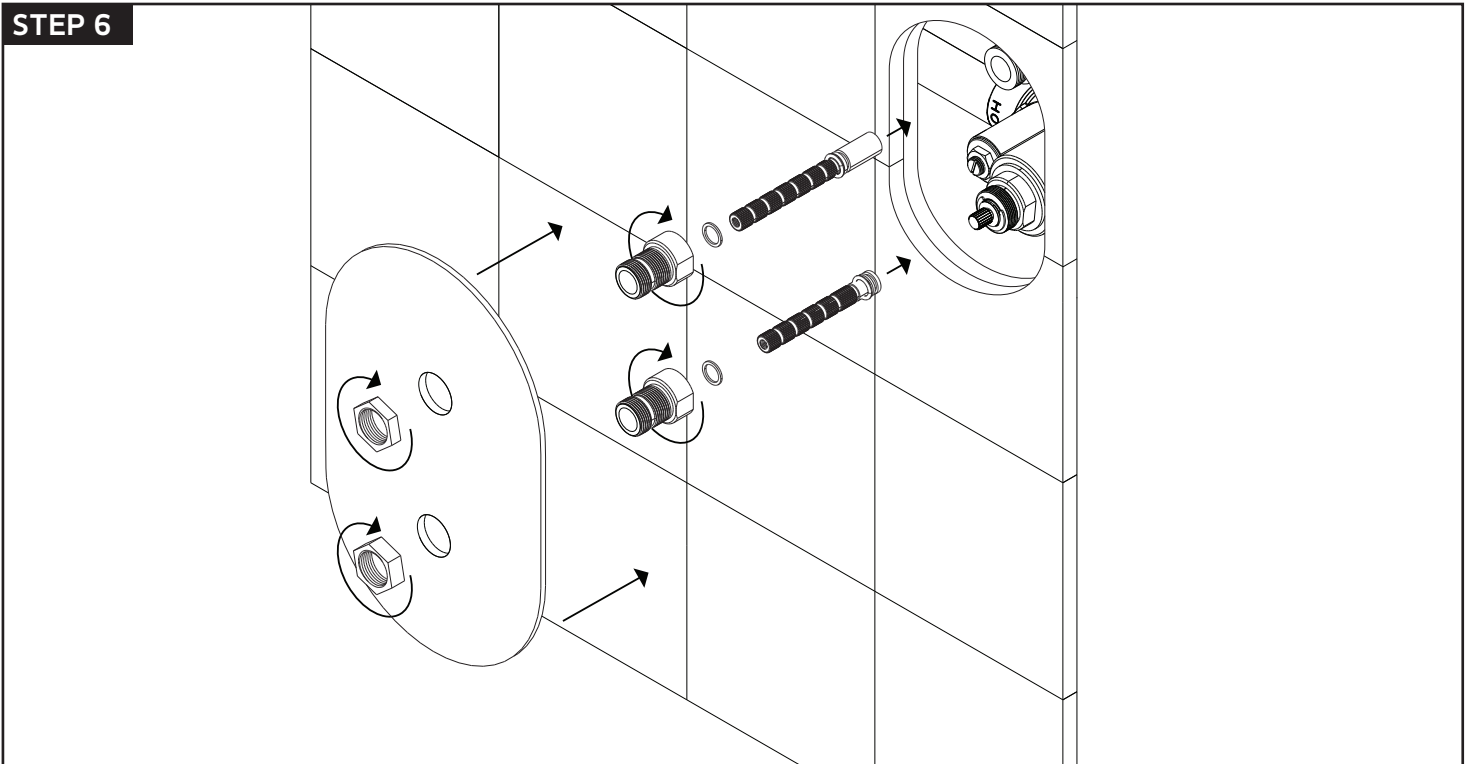


valve trim

STEP 5

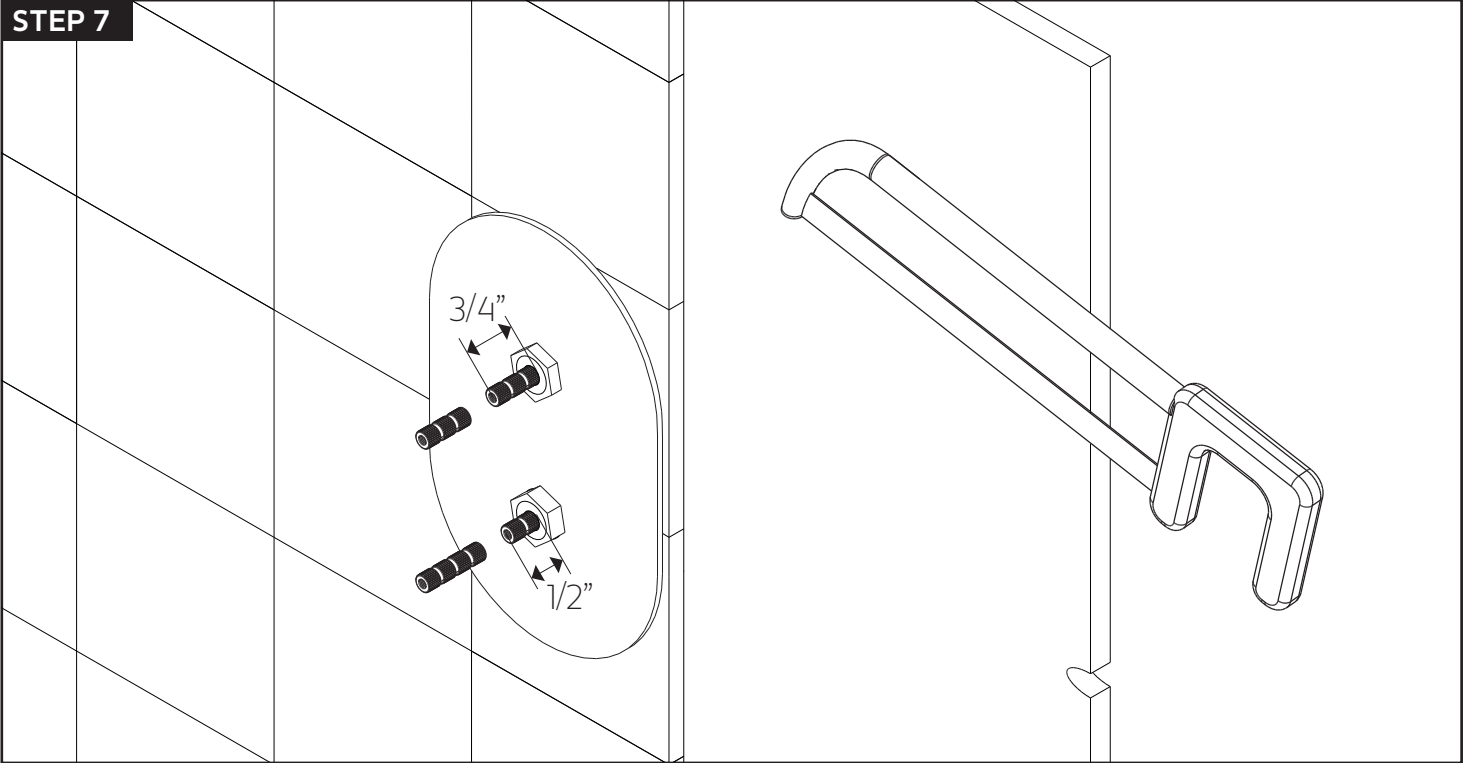


STEP 6

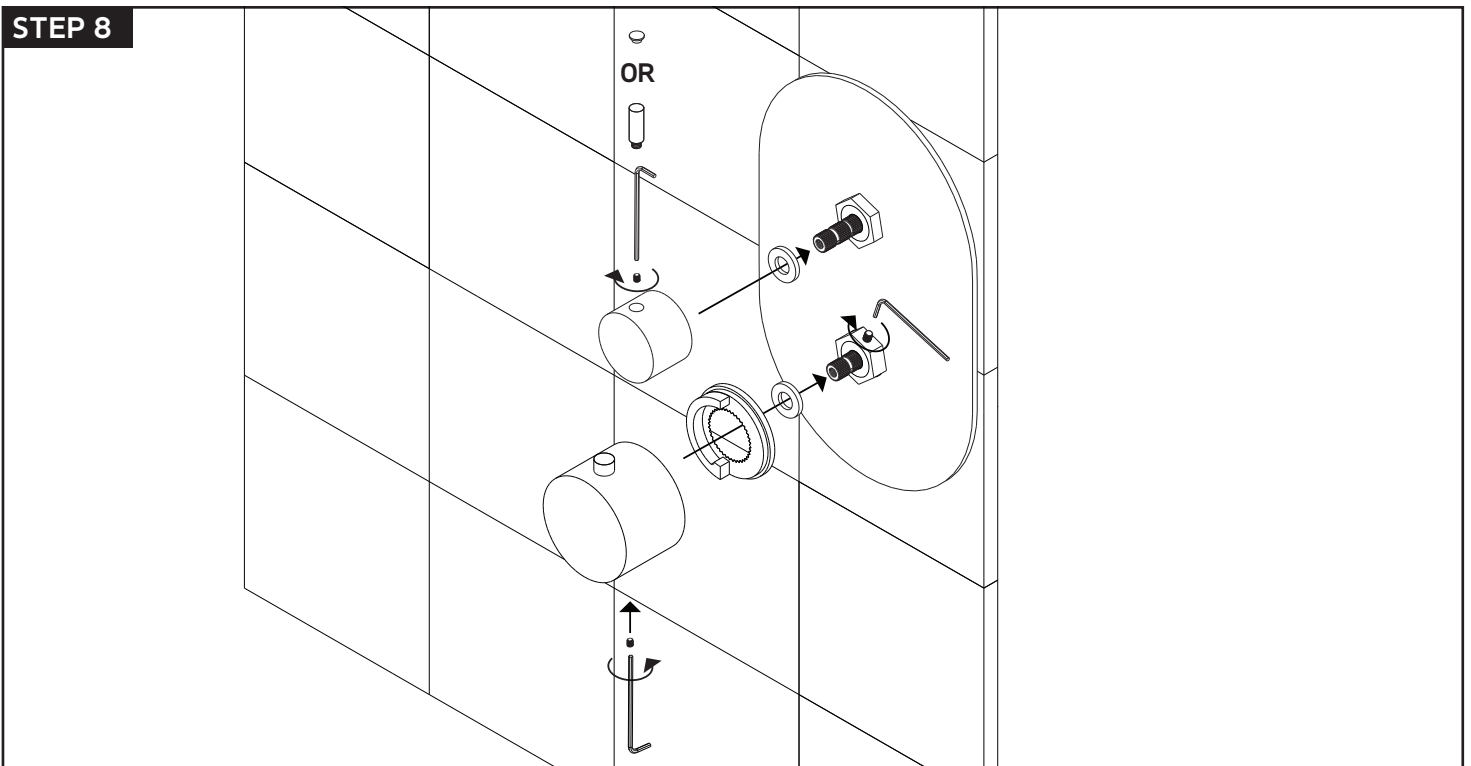


INSTALLATION STEPS

STEP 7

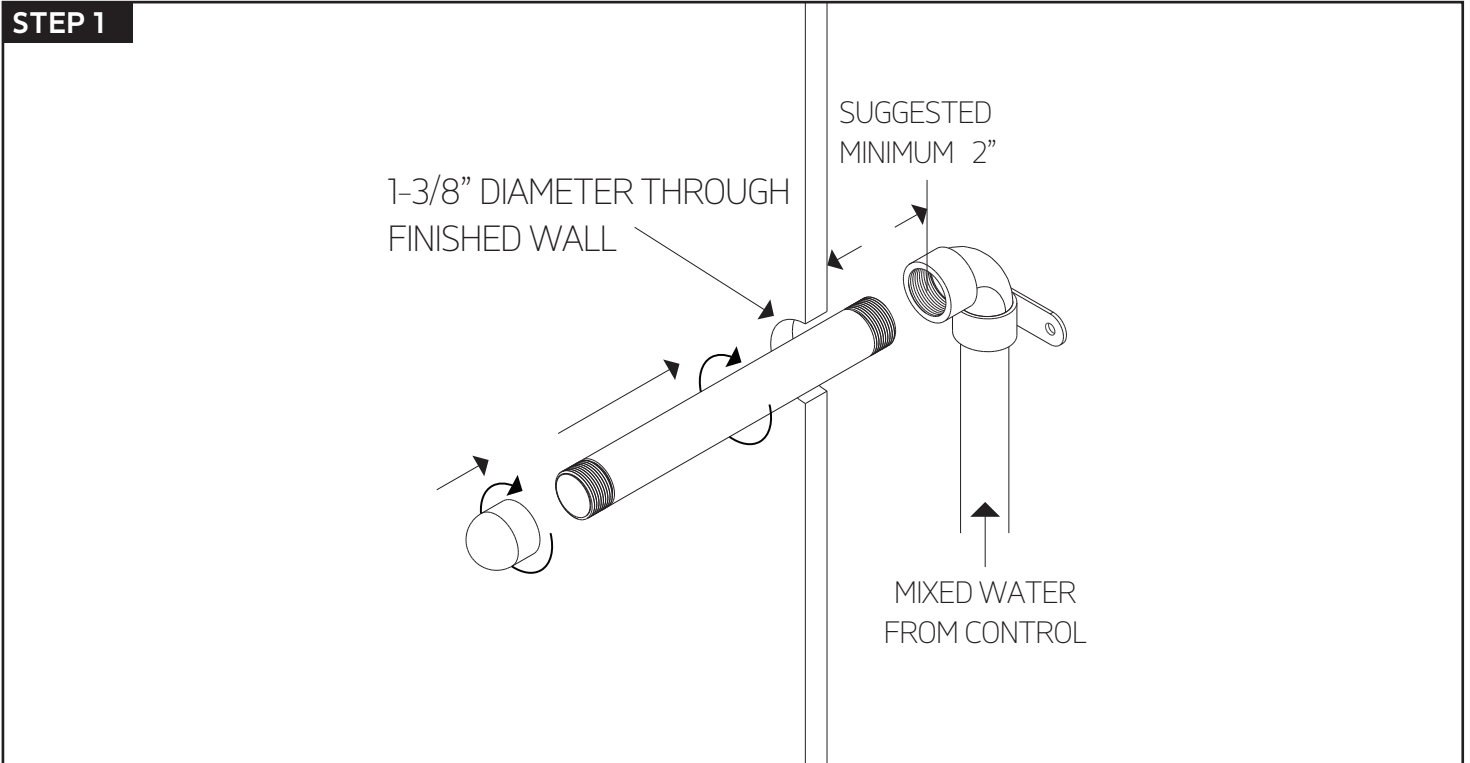


STEP 8

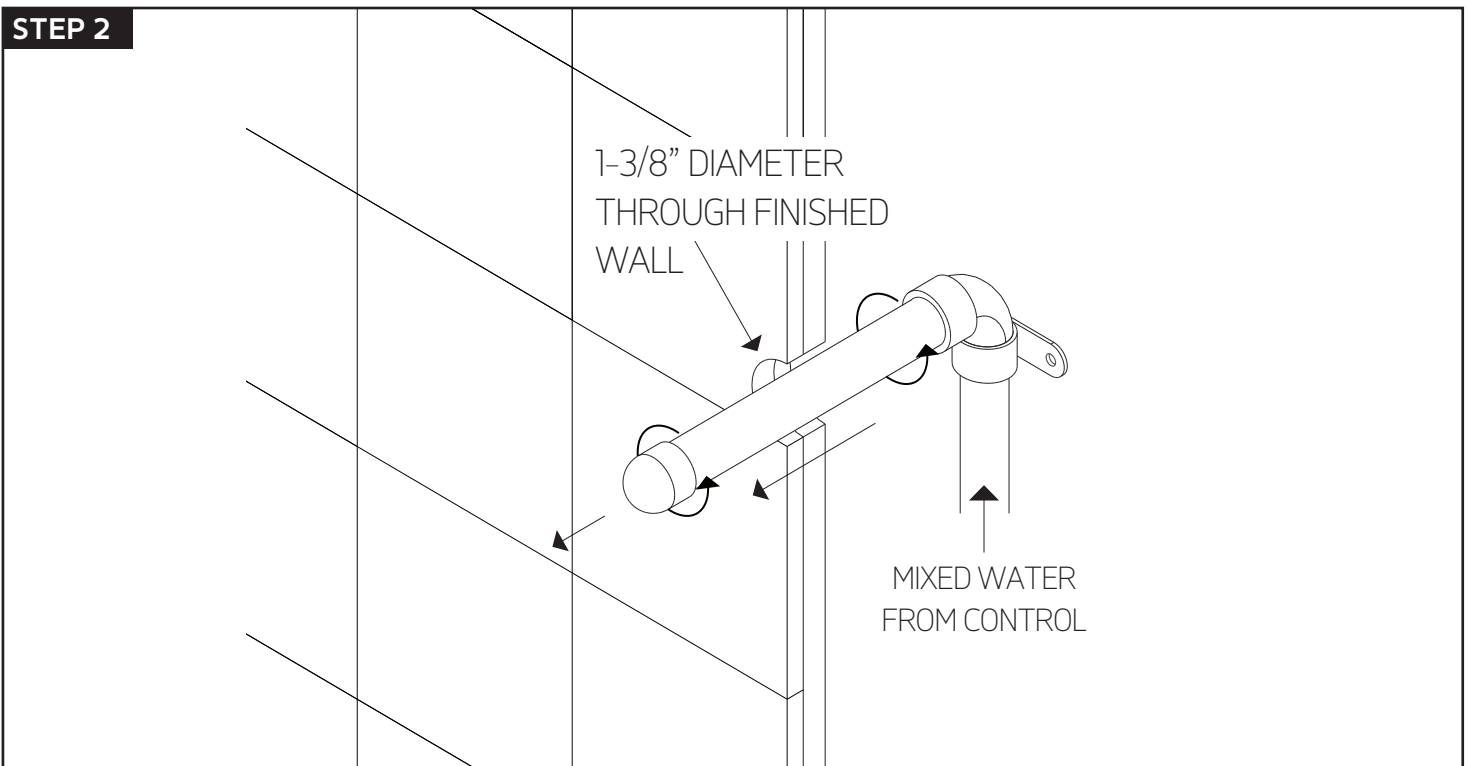


shower head

STEP 1

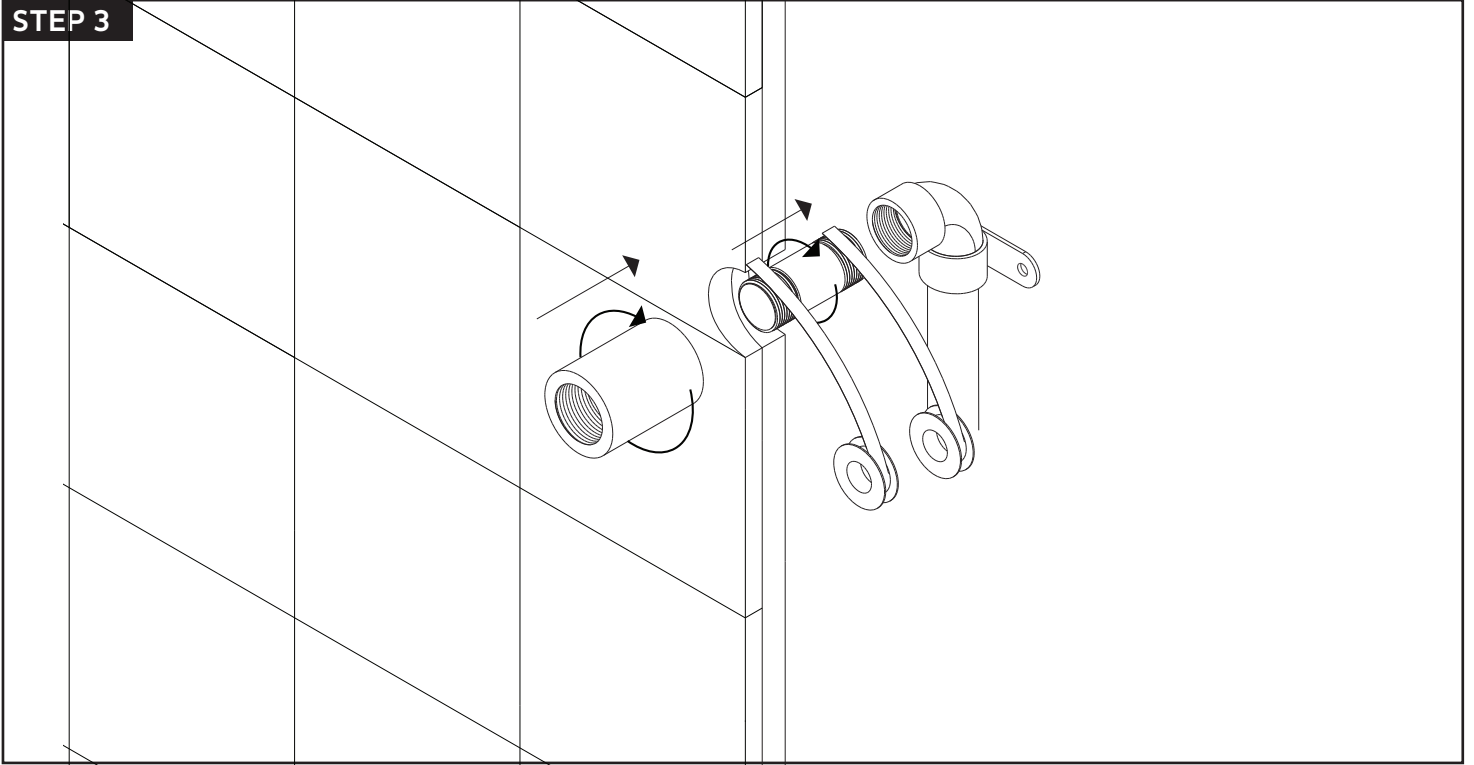


STEP 2

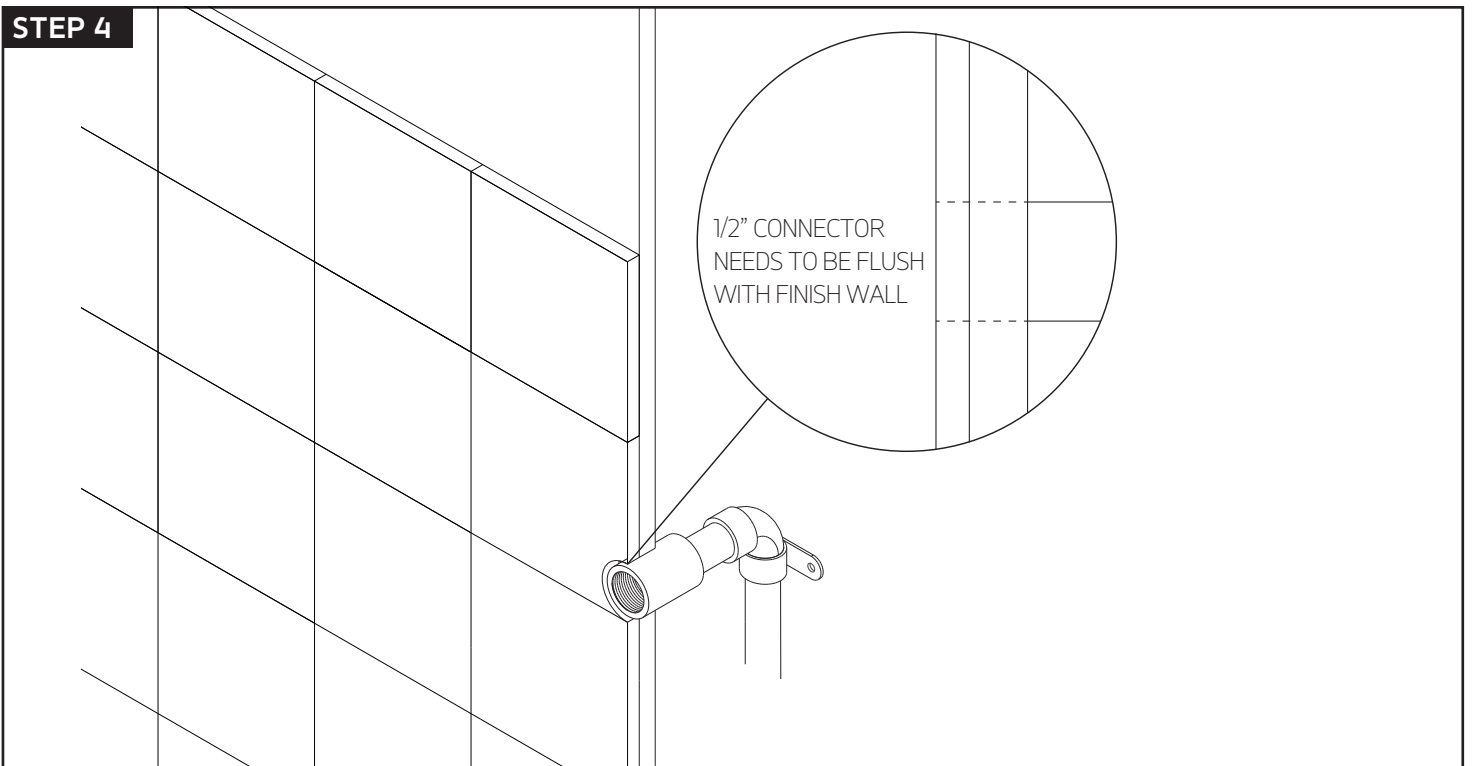


INSTALLATION STEPS

STEP 3



STEP 4

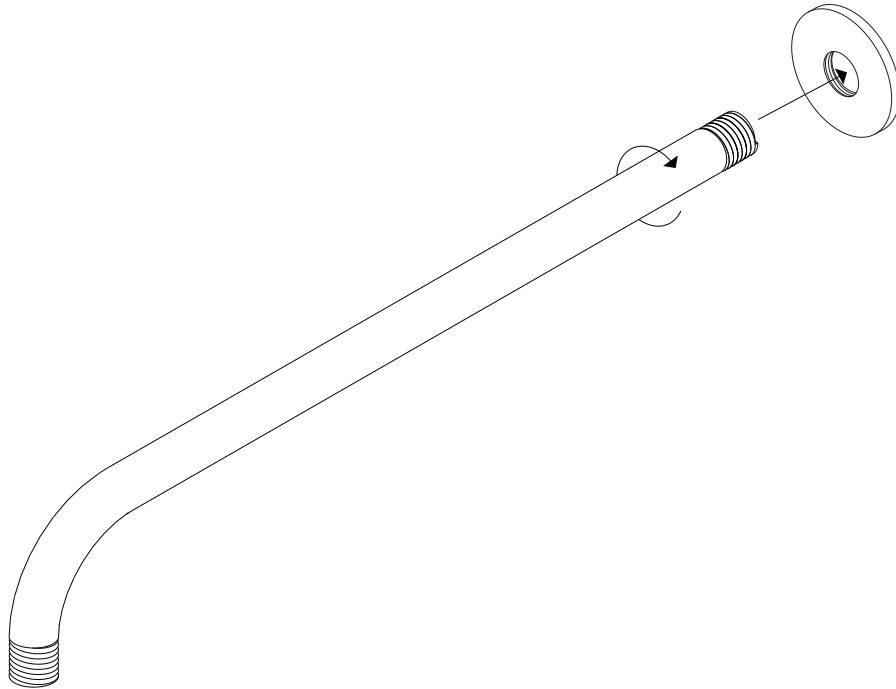


artos[®]

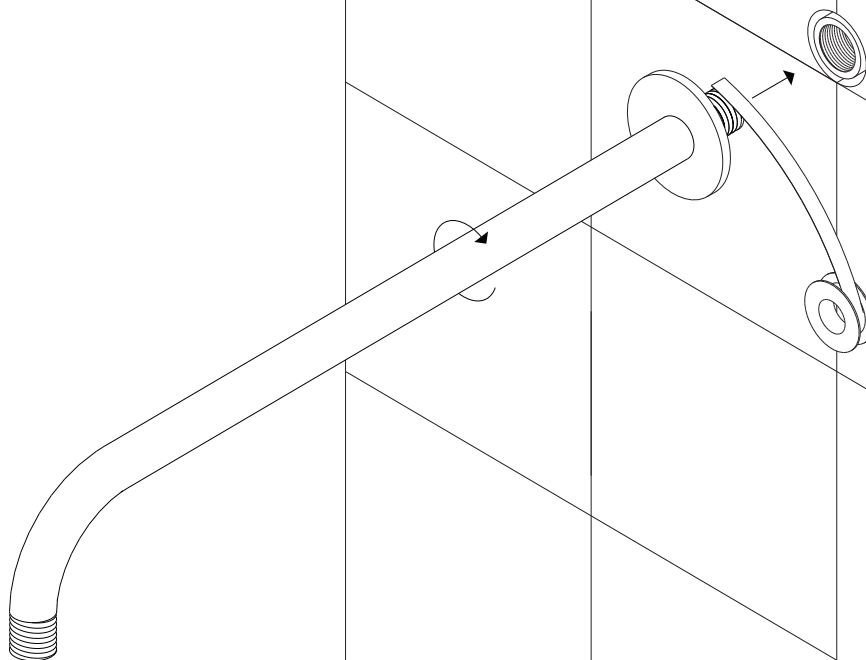
PS140

shower head

STEP 5

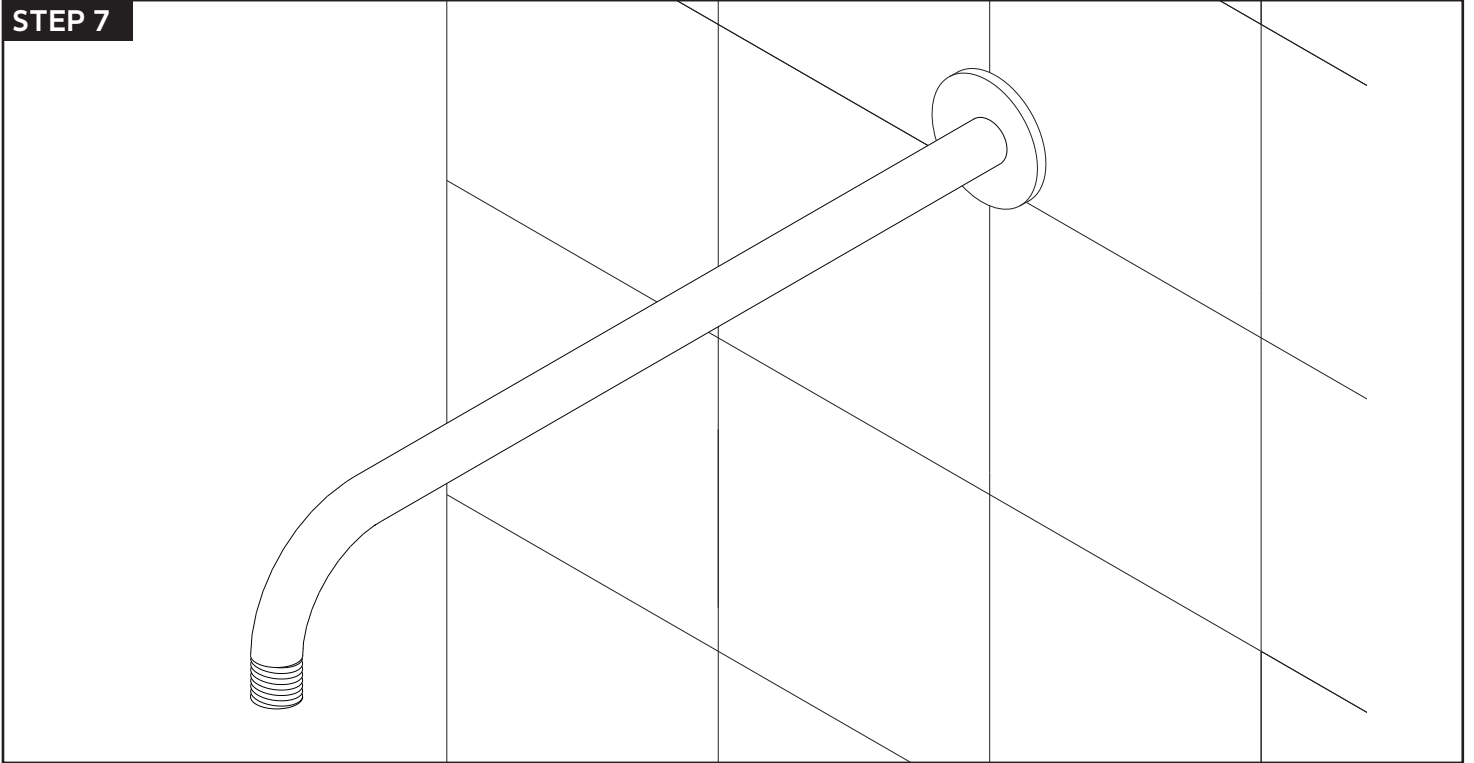


STEP 6

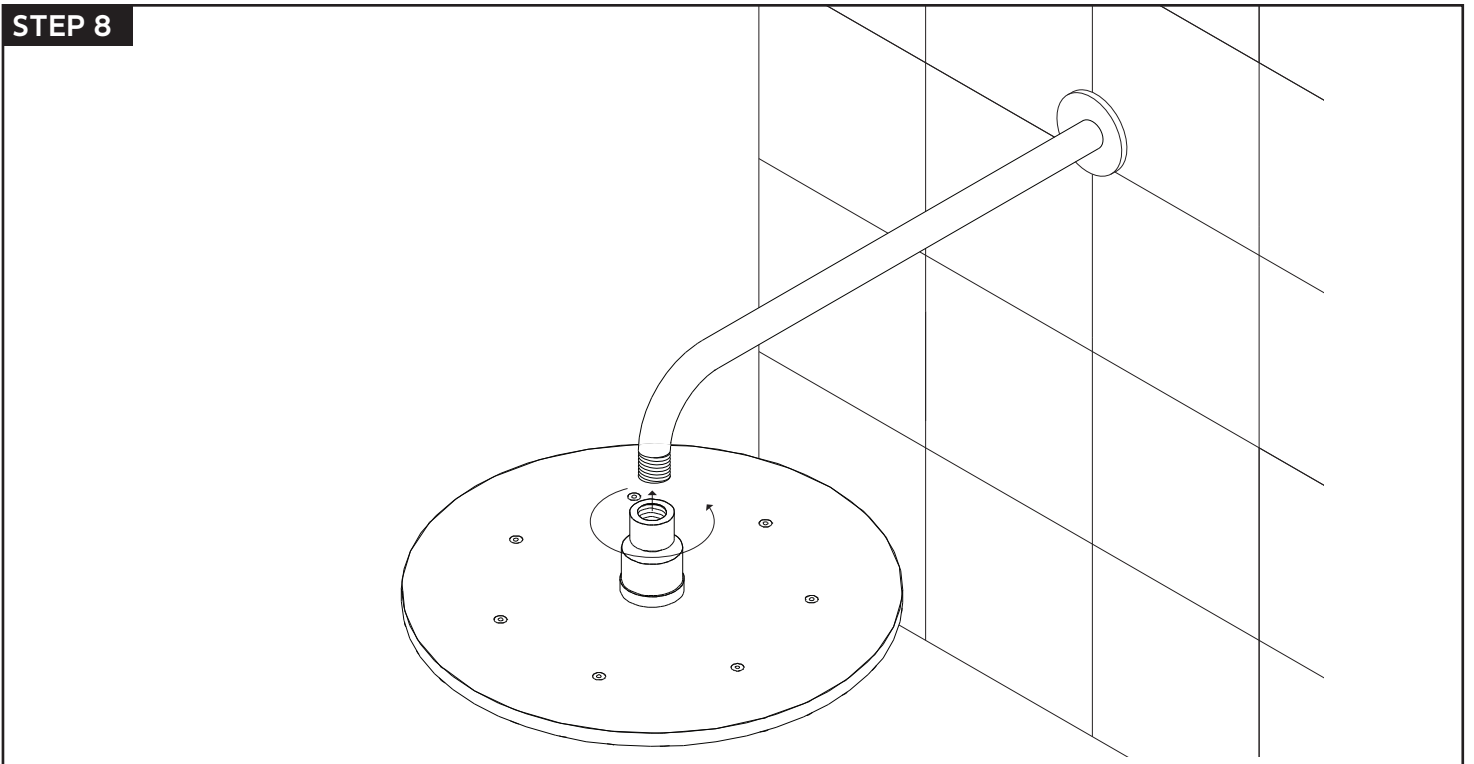


INSTALLATION STEPS

STEP 7



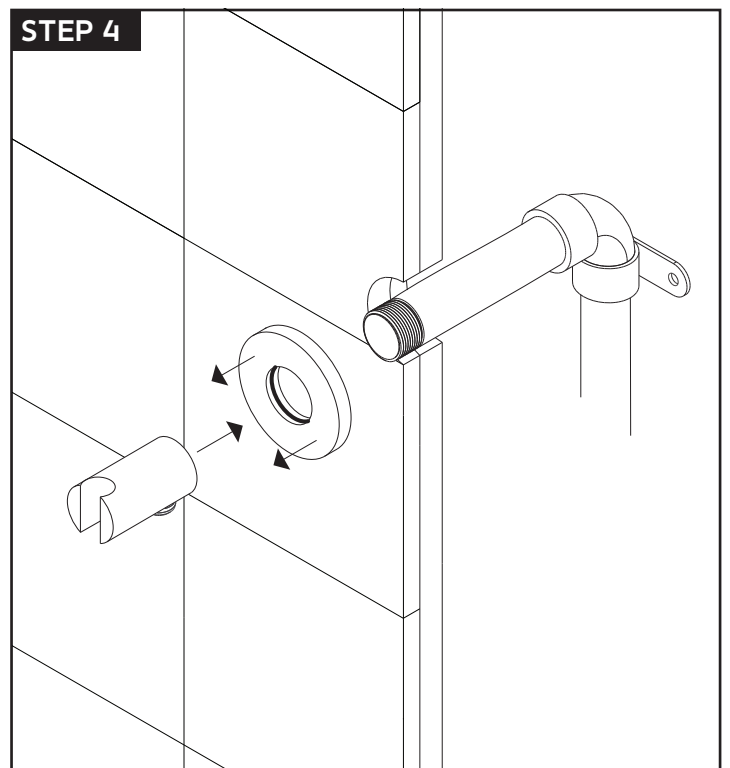
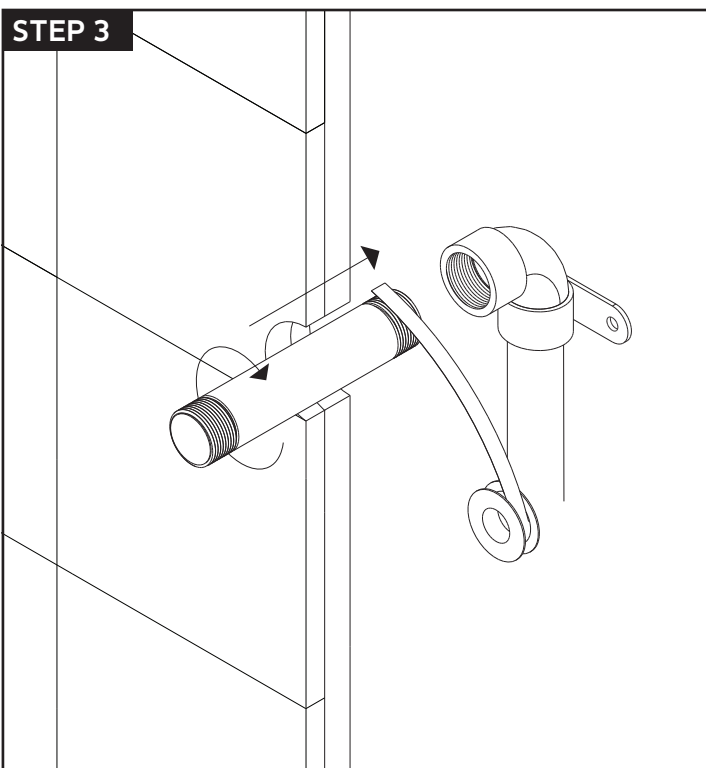
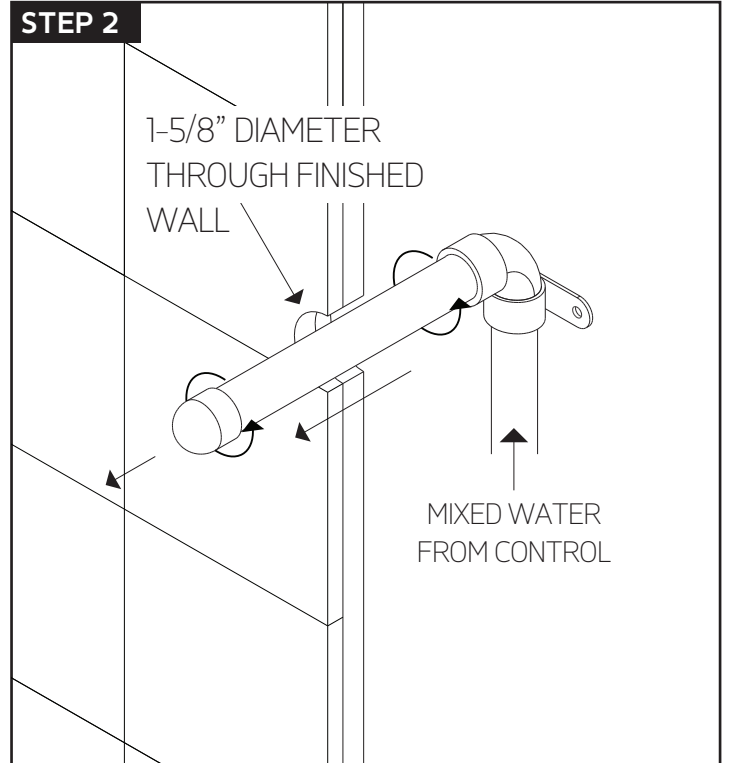
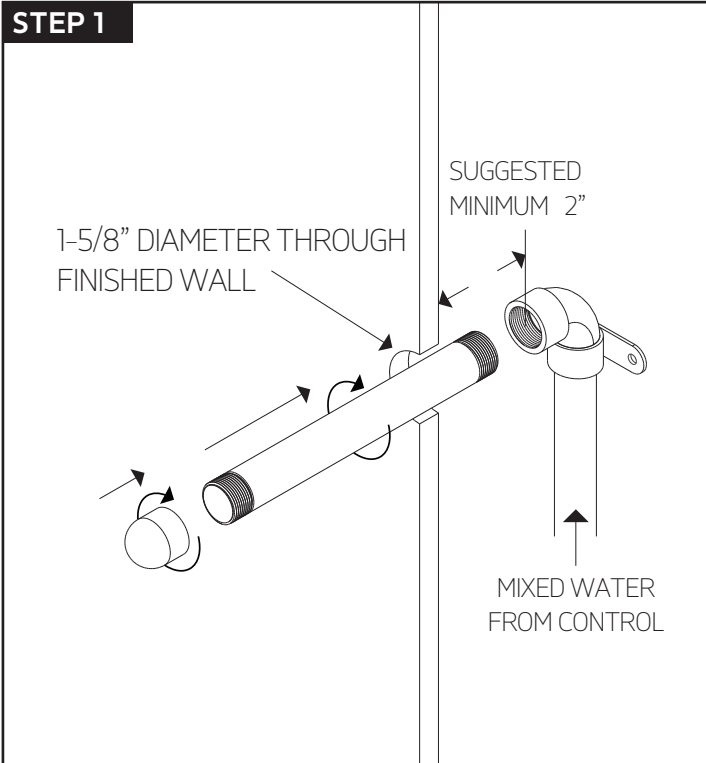
STEP 8



artos[®]

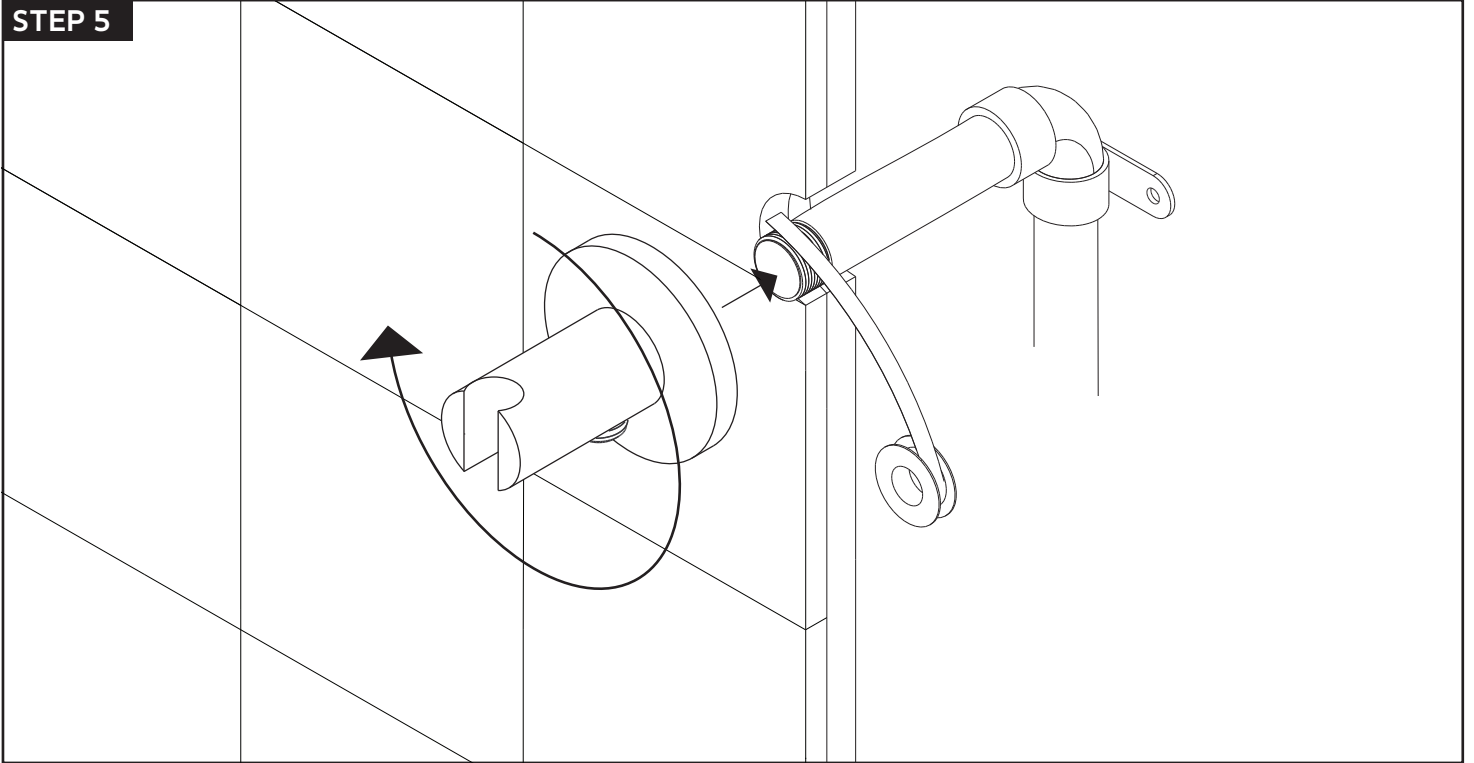
PS140

handshower

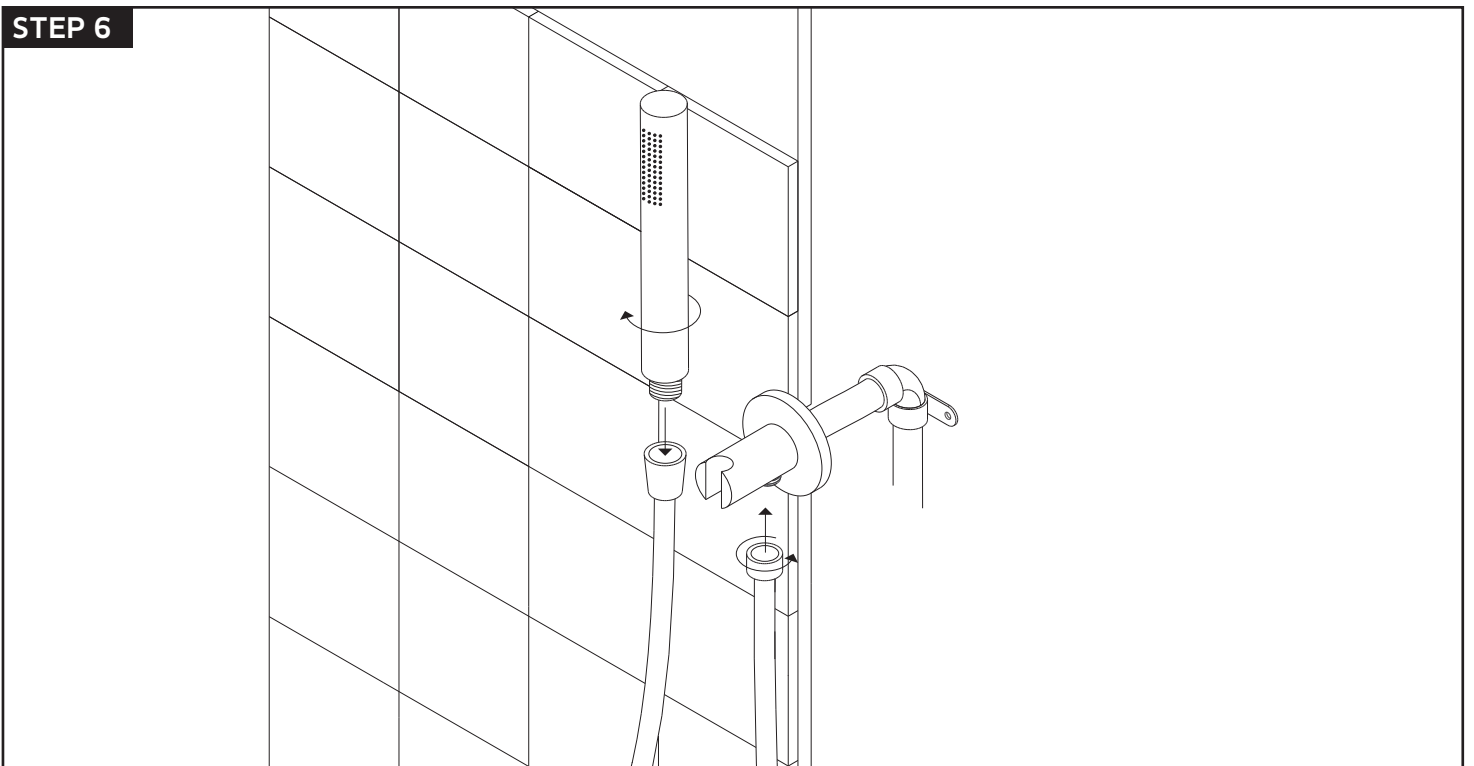


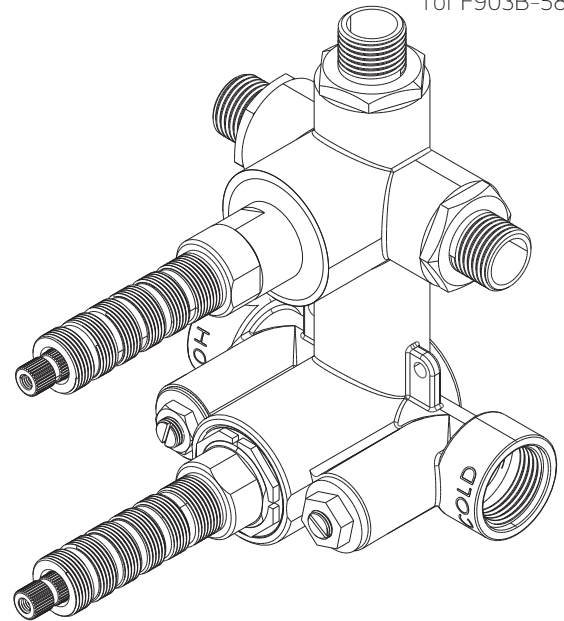
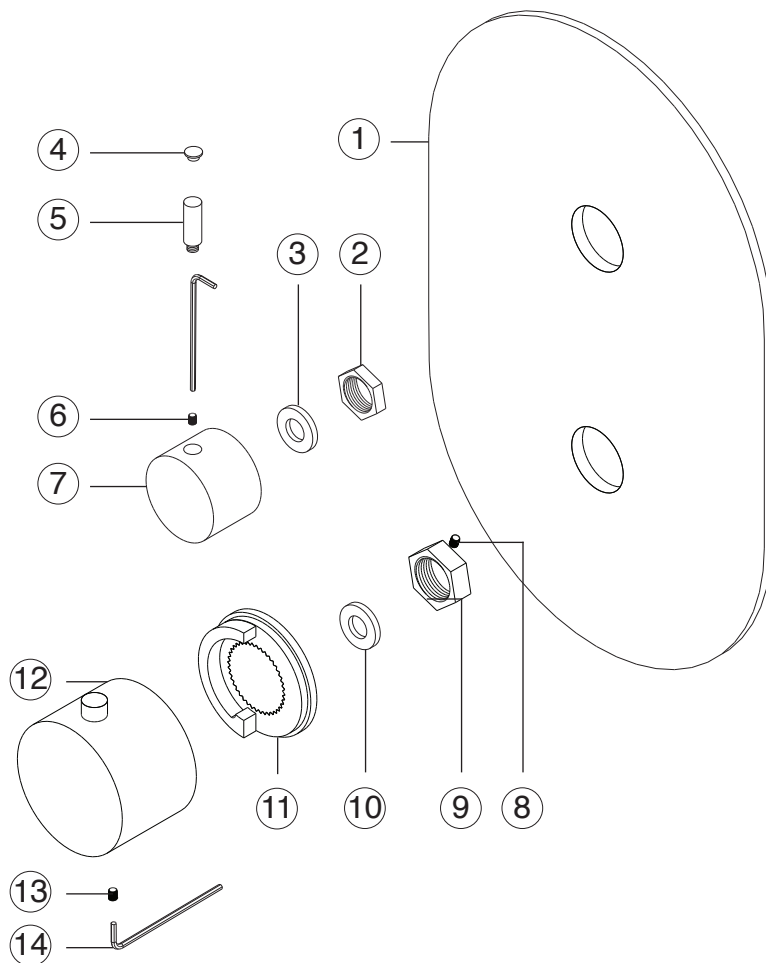
INSTALLATION STEPS

STEP 5

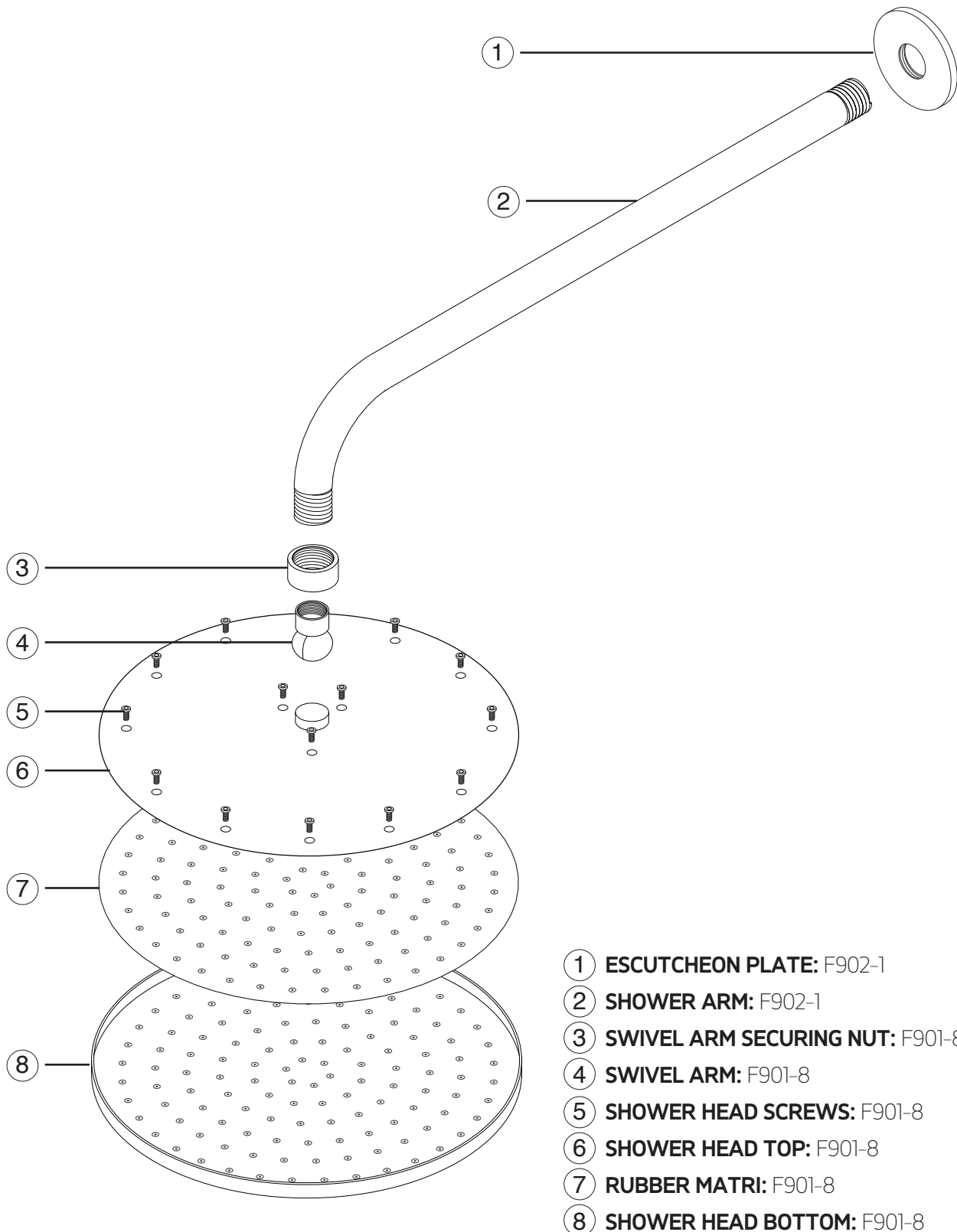


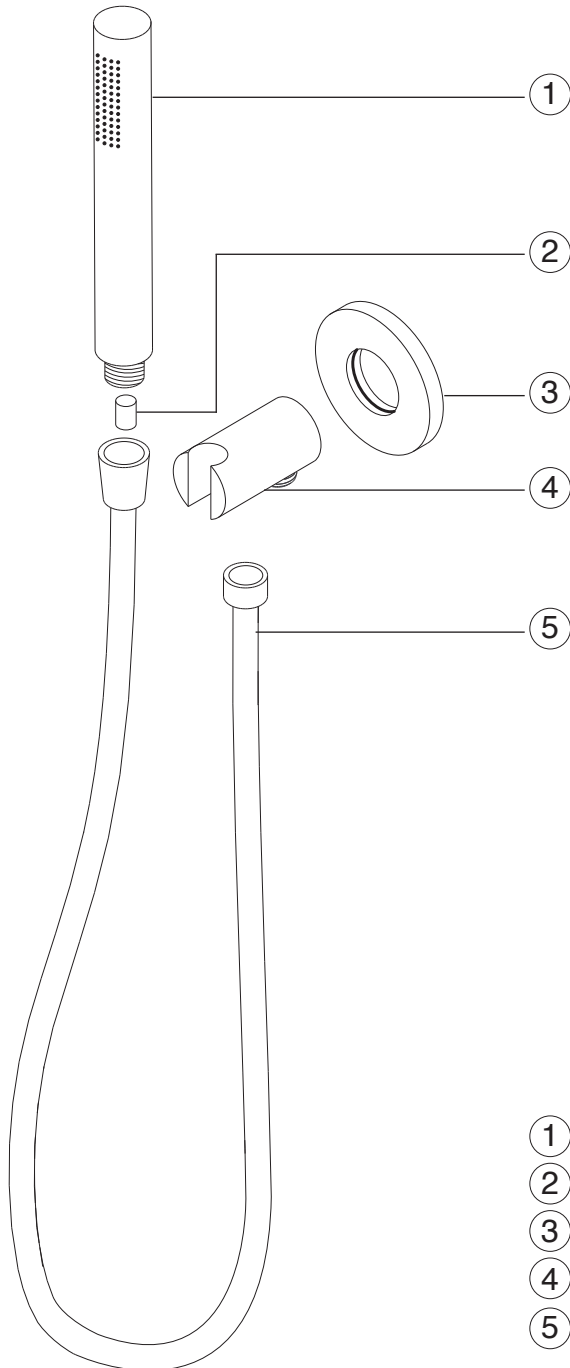
STEP 6





- | | |
|------------------------------|-------------------------------|
| ① ESCUTCHEON: F903A-8P | ⑧ LOCKING NUT SET SCREW |
| ② DIVERTER LOCKING NUT | ⑨ THERMOSTAT LOCKING NUT |
| ③ NYLON WASHER | ⑩ NYLON WASHER |
| ④ HANDLE HOLE CAP | ⑪ TEMPERATURE LIMITING RING |
| ⑤ DIVERTER HANDLE LEVER | ⑫ THERMOSTAT HANDLE: F904A-1H |
| ⑥ DIVERTER SET SCREW | ⑬ THERMOSTAT SET SCREW |
| ⑦ DIVERTER HANDLE: F903A-12H | ⑭ ALLEN WRENCH |





- ① **HAND SHOWER:** F901-3
- ② **HAND SHOWER CHECK VALVE**
- ③ **ESCUTCHEON PLATE**
- ④ **SHOWER OUTLET ELBOW AND HOLDER:** F902-42
- ⑤ **SHOWER HOSE:** F902-8