

# artos<sup>®</sup>

PS139

INSTALLATION GUIDE

premier series shower set

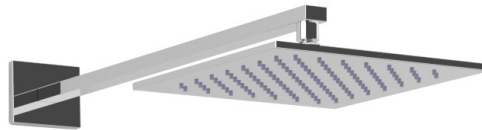
BRUSHED NICKEL(BN)



CHROME(CH)



BLACK (BK)

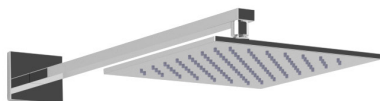


# artos<sup>®</sup>

## PS139

premier series shower set

## OPERATING SPECIFICATIONS



### FEATURES

Solid Brass

2-Outlets

### INCLUDES

F903B-59TK

F703-6

F907-50

### OPERATING PRESSURE

Minimum: 15 psi

Maximum: 75 psi

Above 90psi it may be necessary to install a pressure reducer

### OPERATING TEMPERATURE

Maximum: 176°

### FLOW CAPACITY

Hand Shower: 1.8 USGPM

Shower Head: 1.8 USGPM



### F901-8 APPROVAL



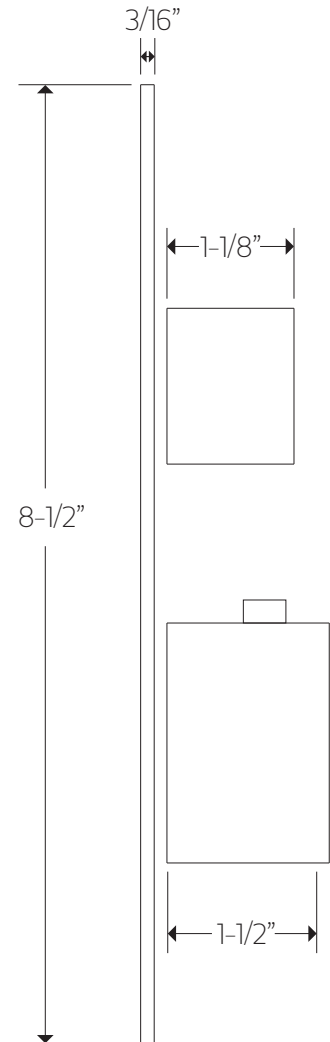
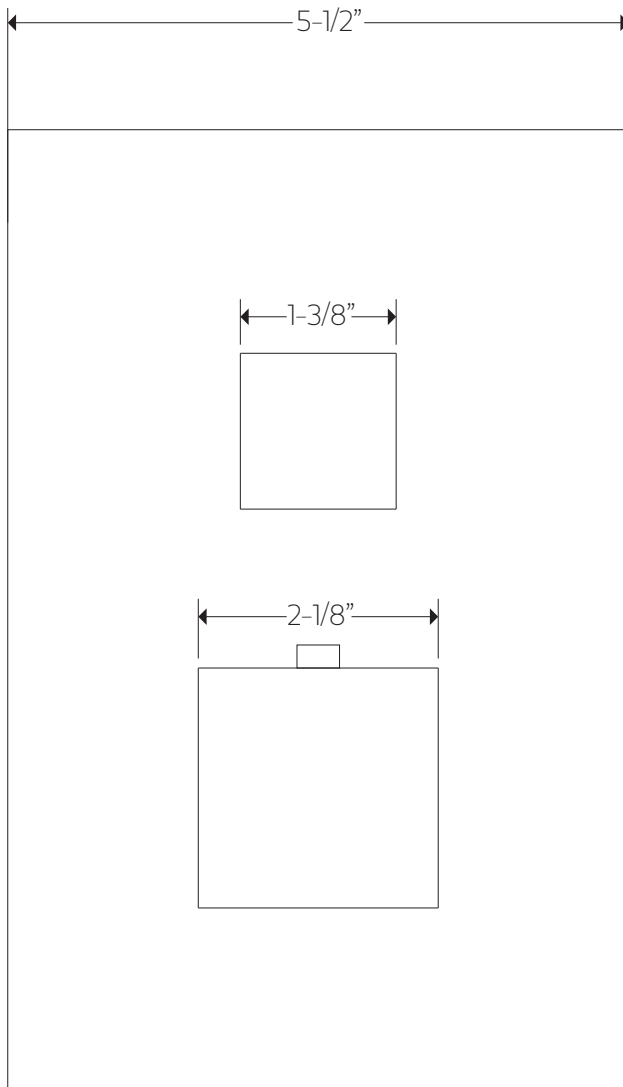
# artos<sup>®</sup>

PS139

## PRODUCT DIMENSIONS

premier series shower set

for trim kit



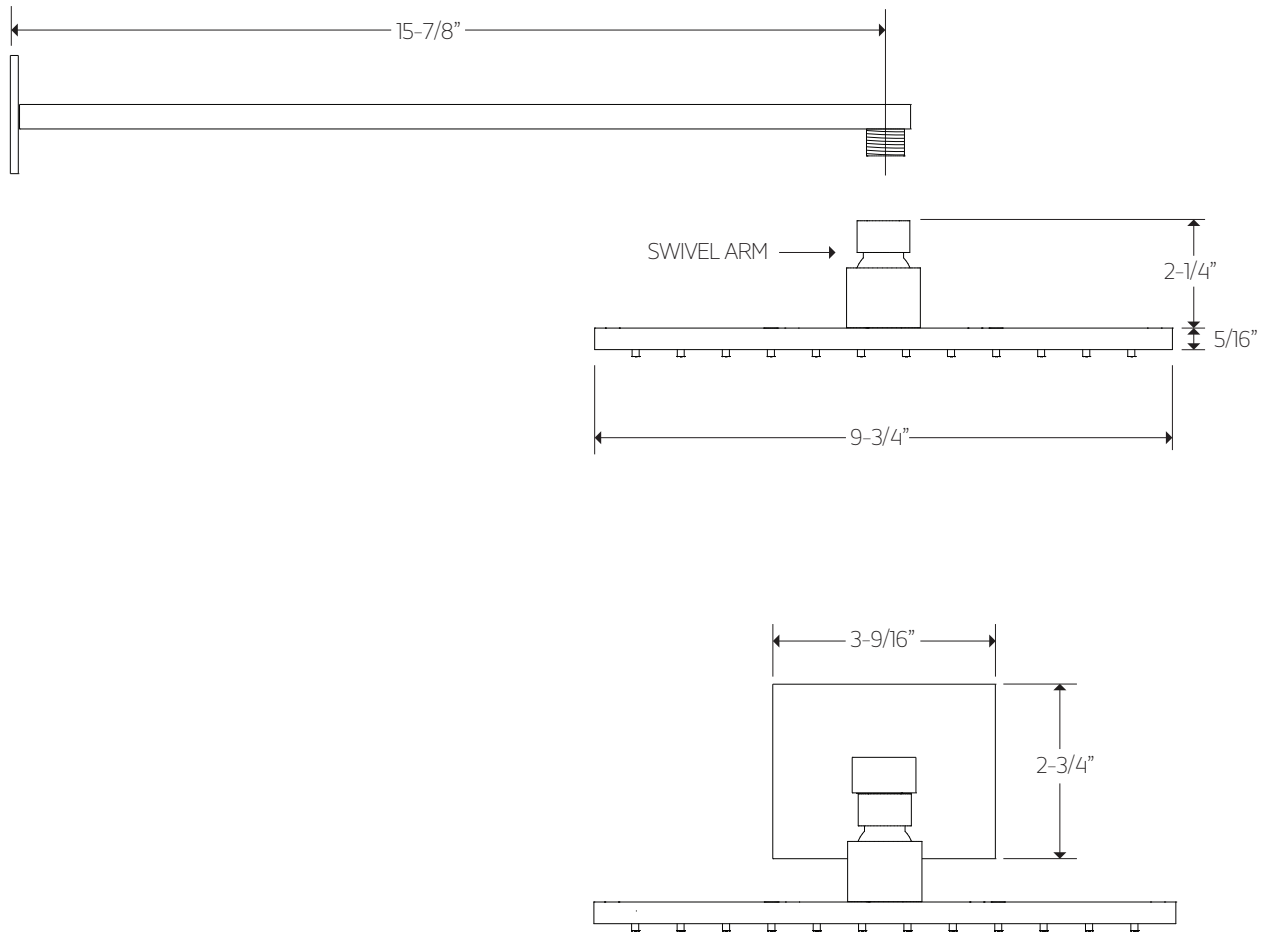
# artos<sup>®</sup>

## PS139

premier series shower set

## PRODUCT DIMENSIONS

for showerhead



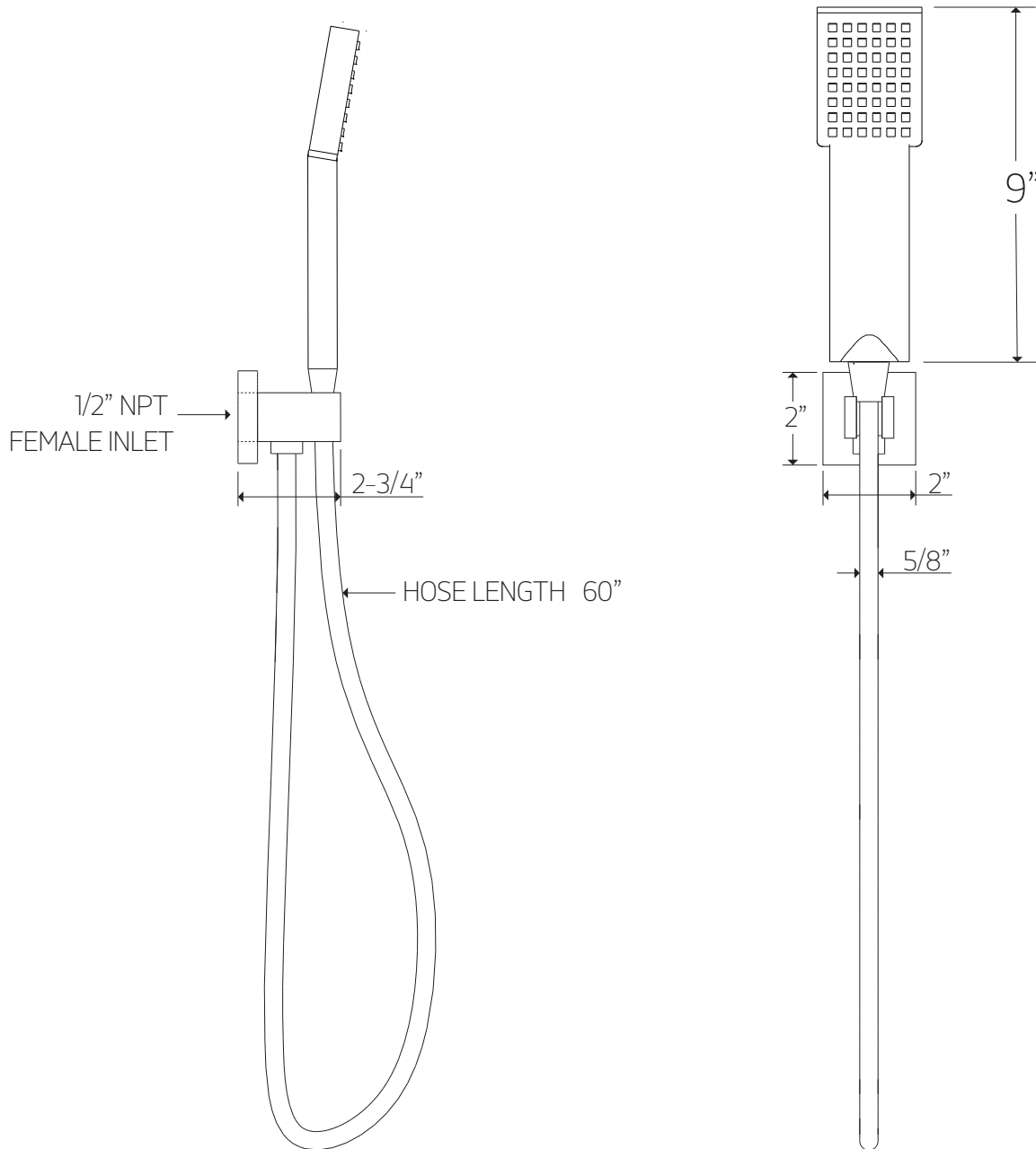
# artos<sup>®</sup>

PS139

## PRODUCT DIMENSIONS

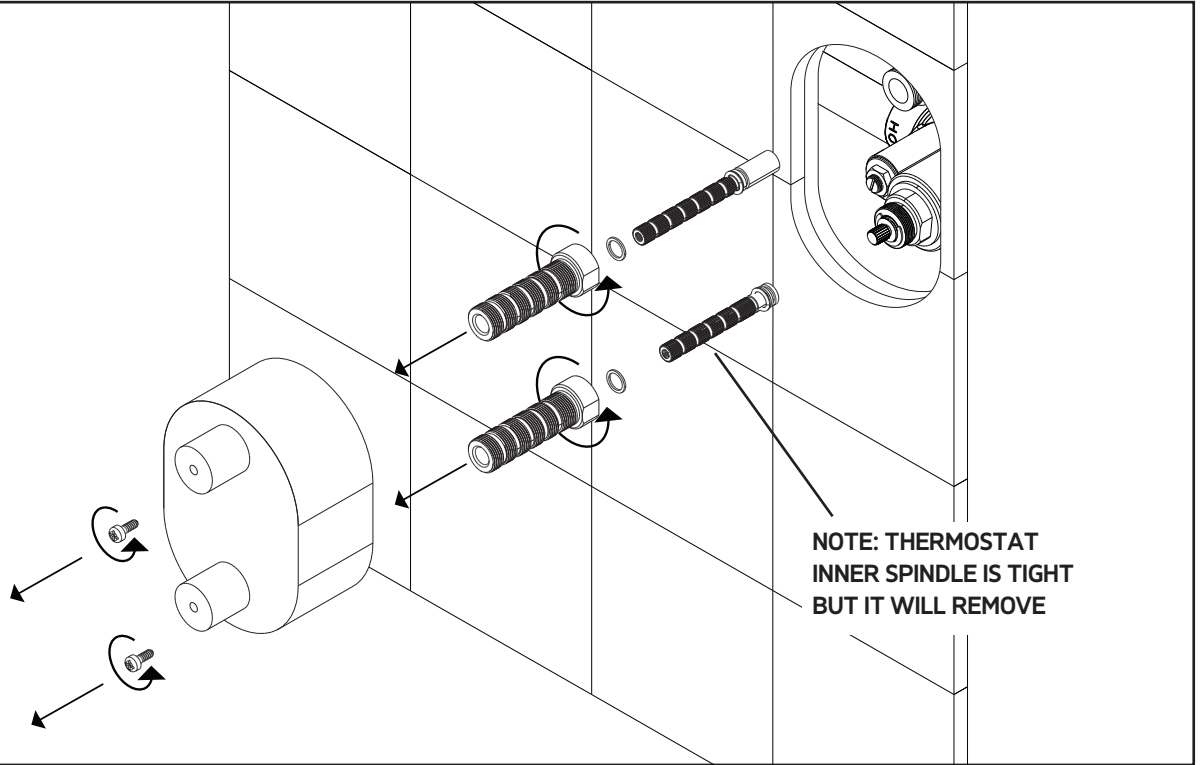
premier series shower set

for hand shower

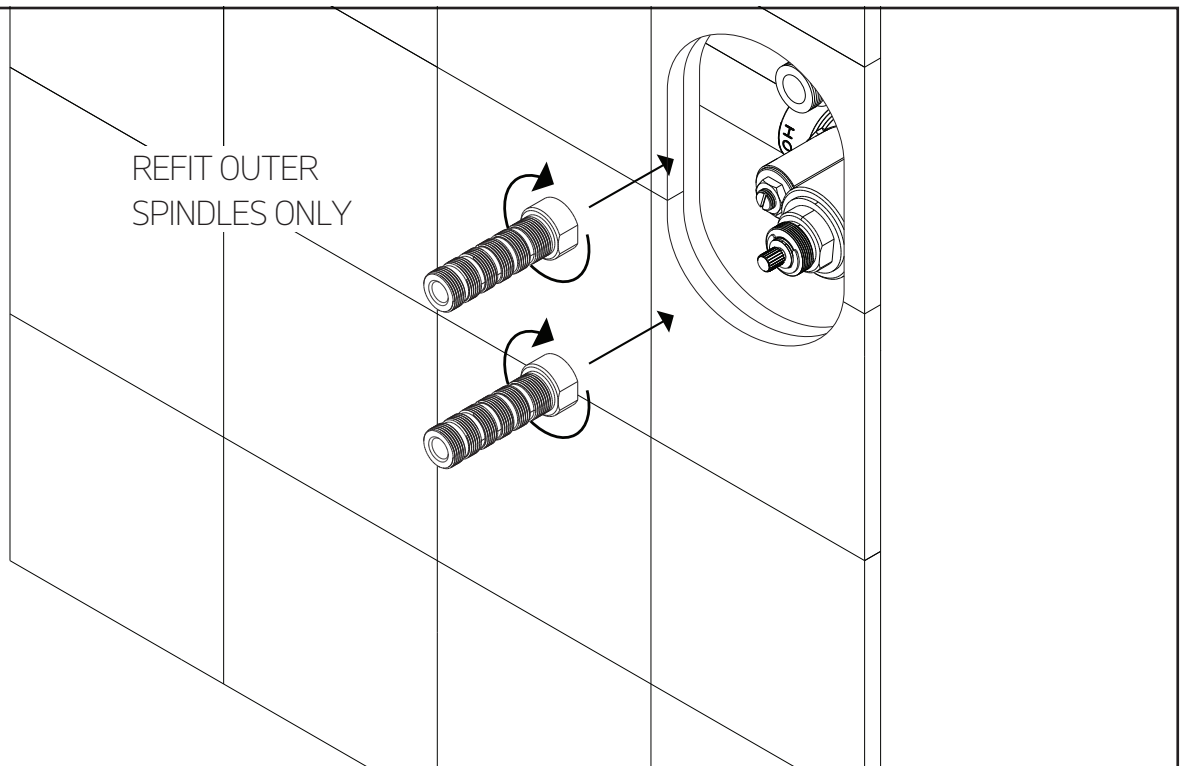


### valve trim

#### STEP 1

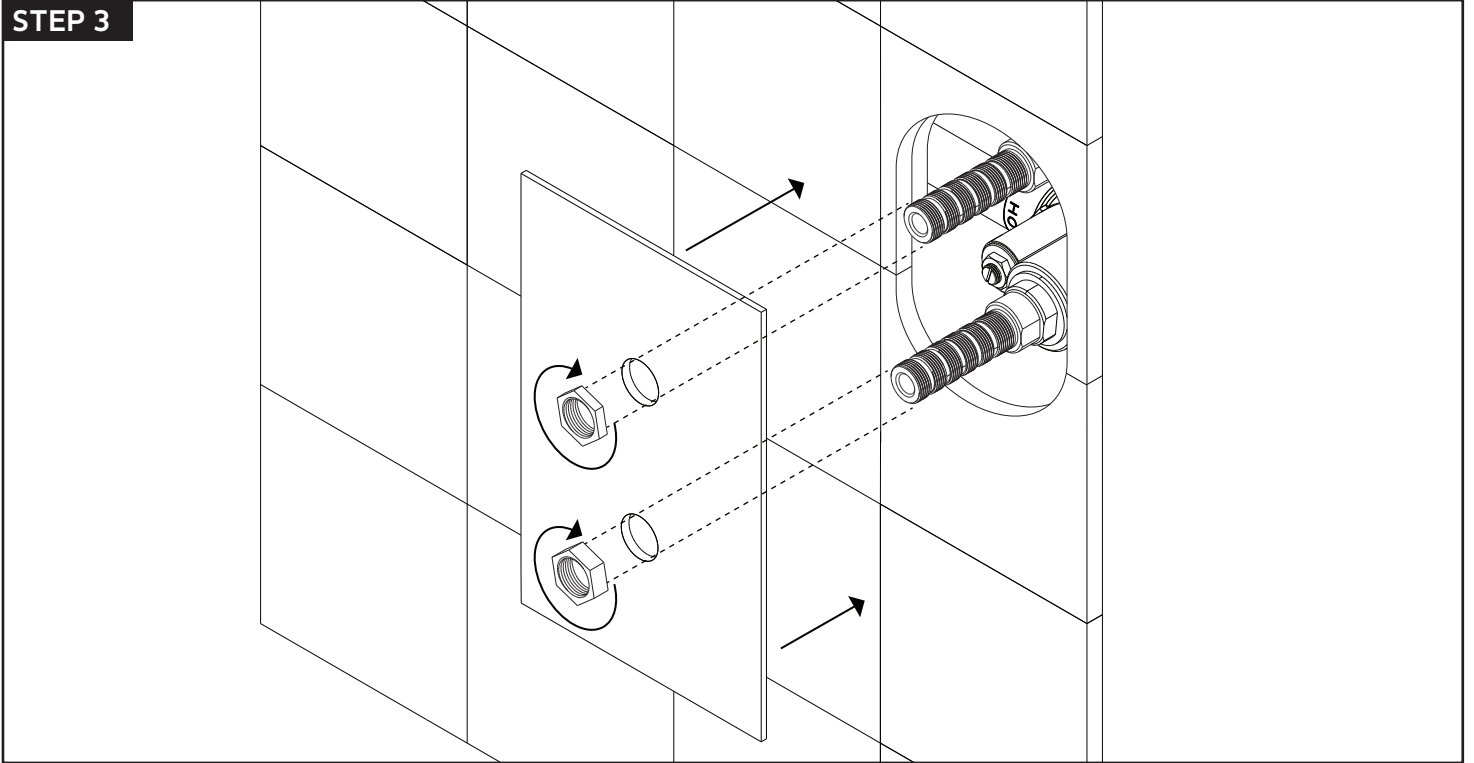


#### STEP 2

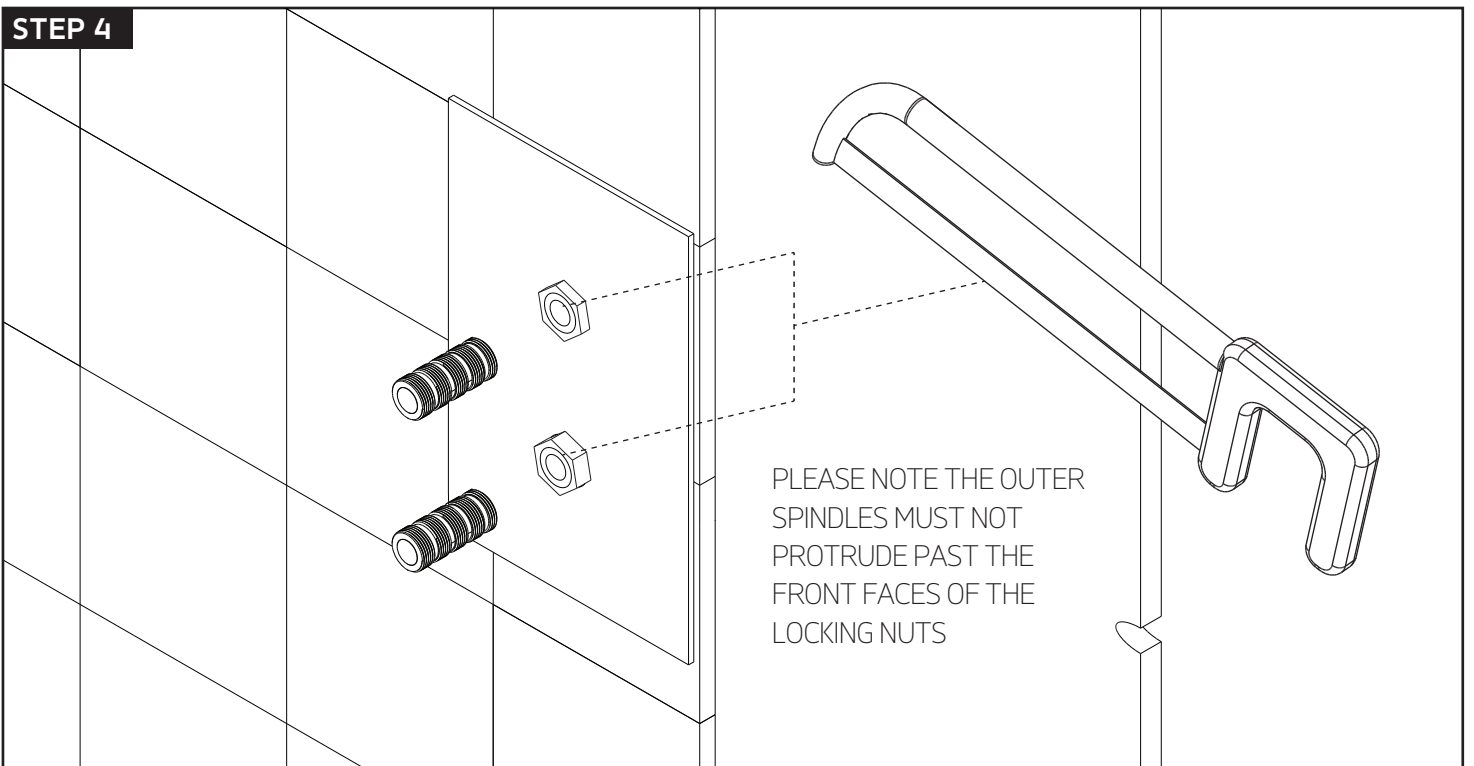


# INSTALLATION STEPS

## STEP 3

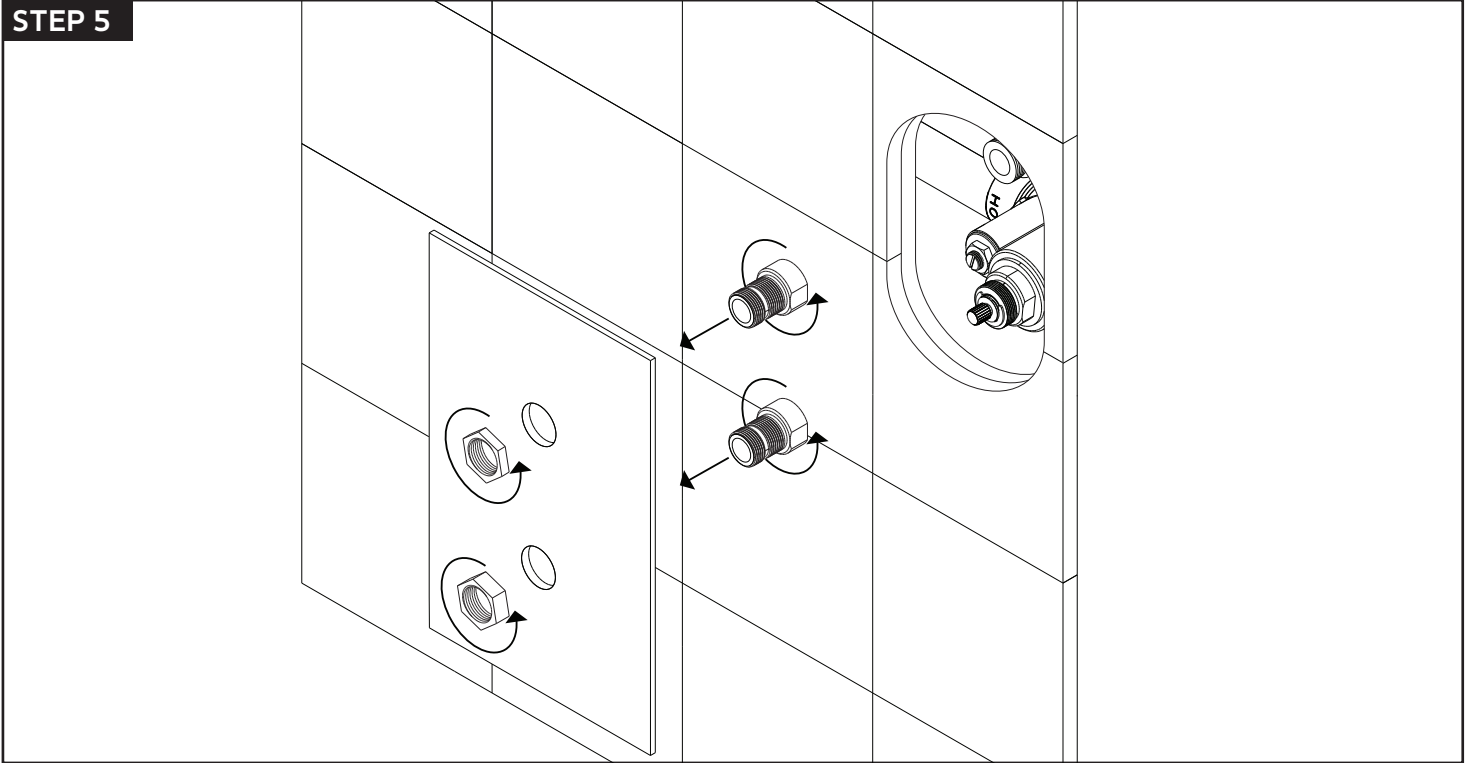


## STEP 4

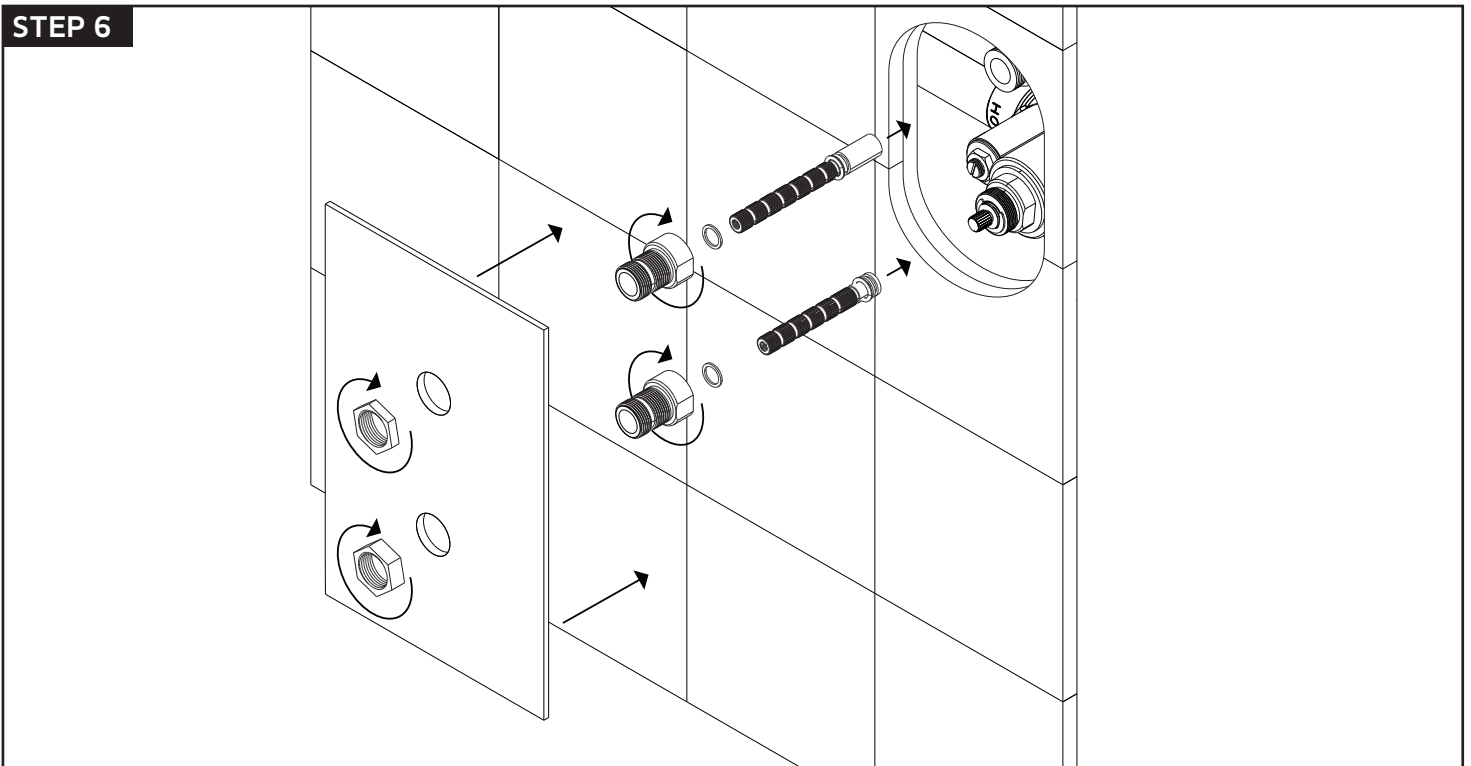


### valve trim

#### STEP 5

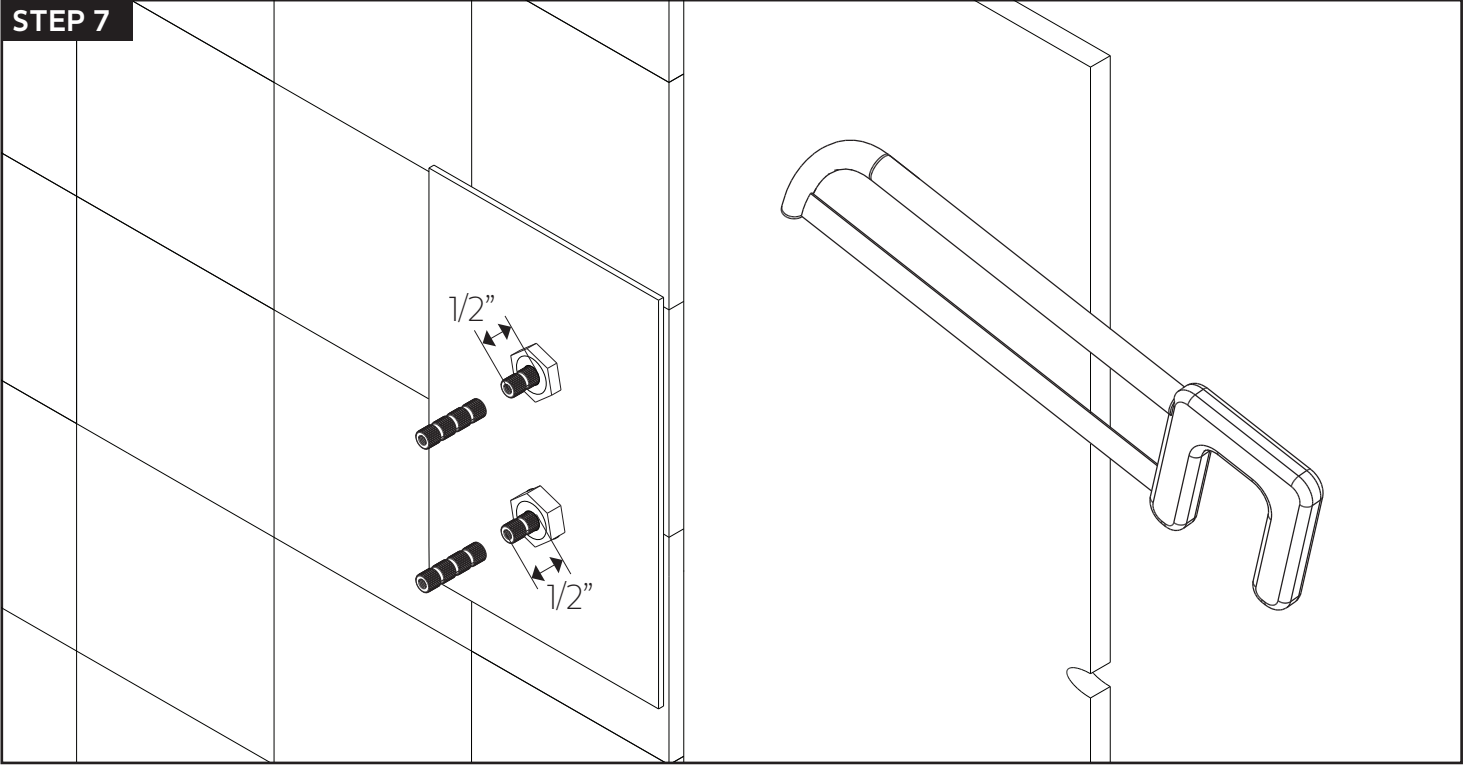


#### STEP 6

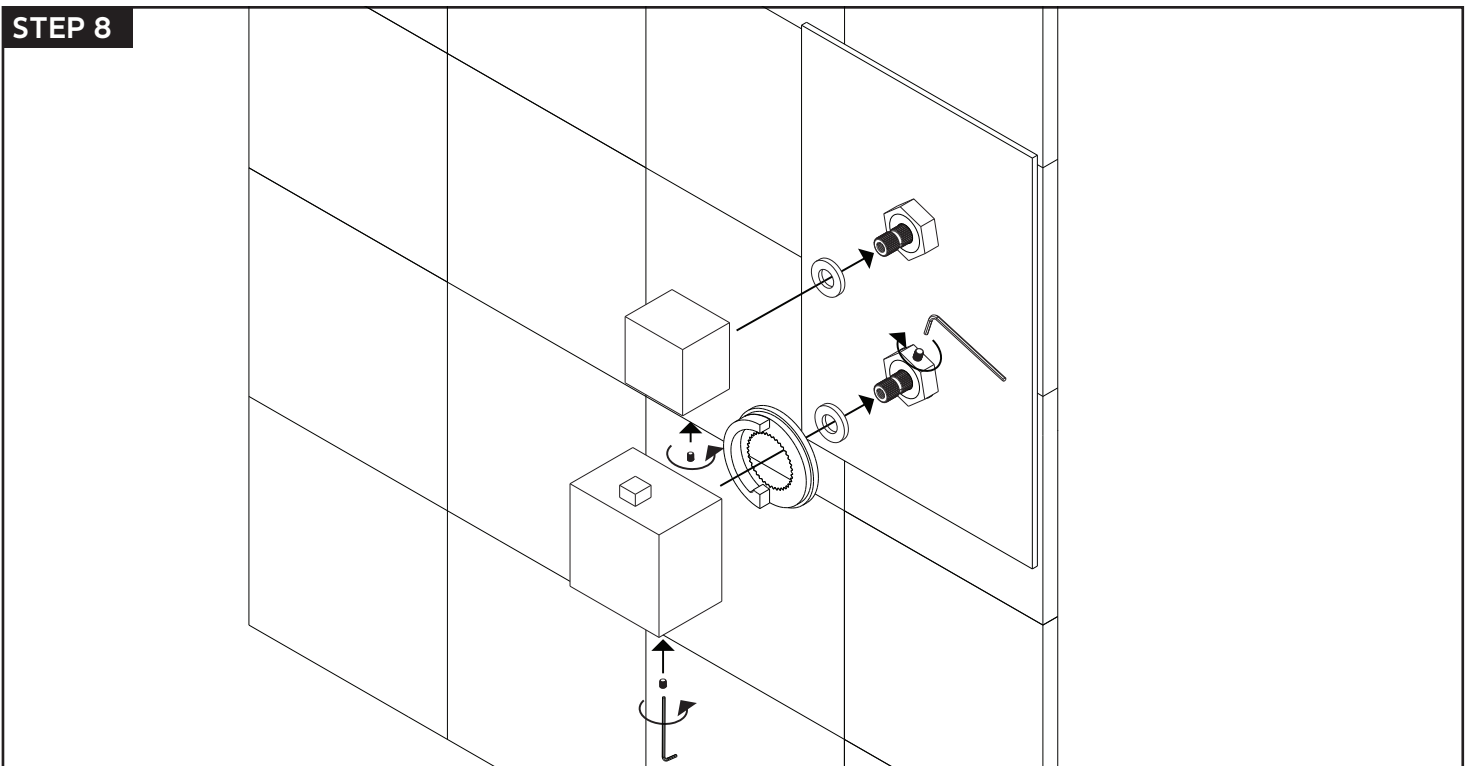


# INSTALLATION STEPS

## STEP 7

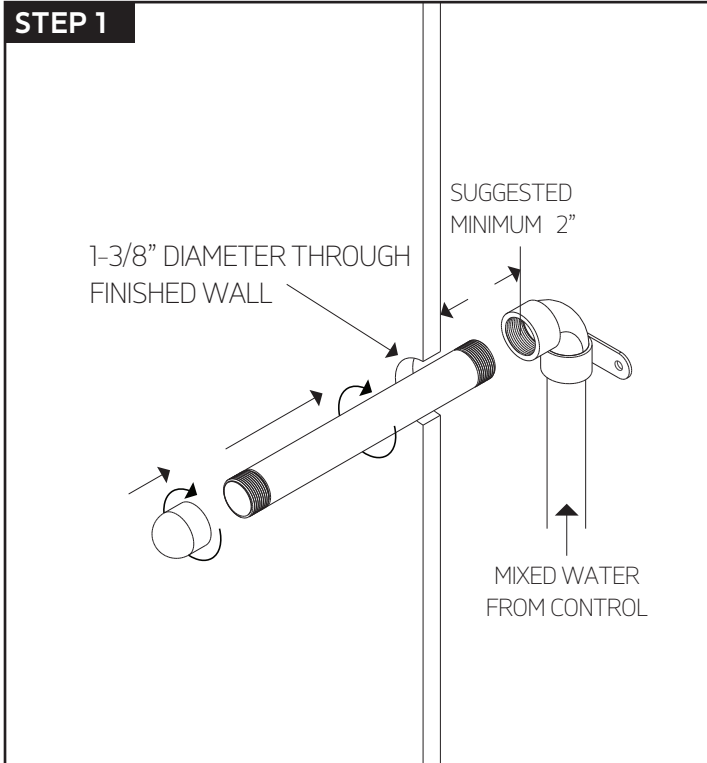


## STEP 8

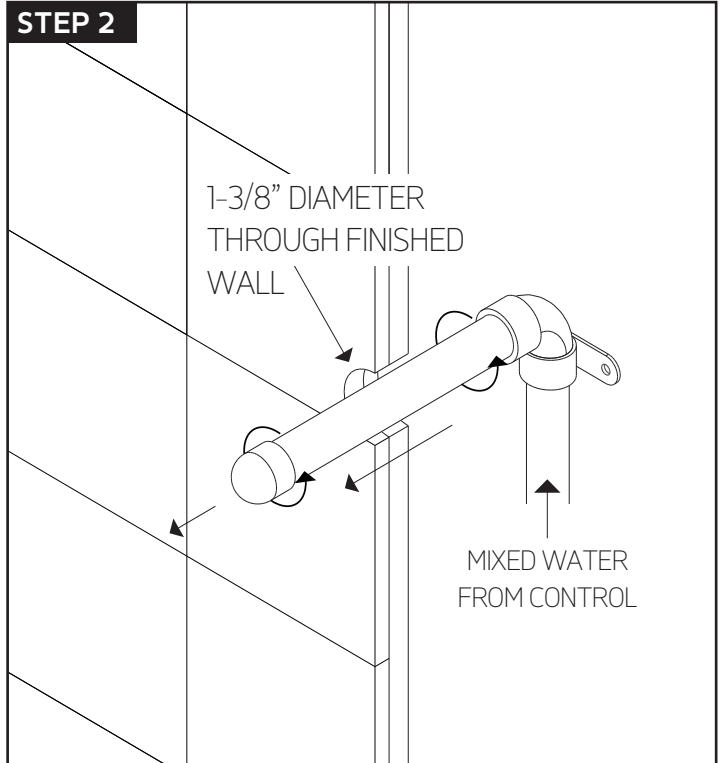


### shower head

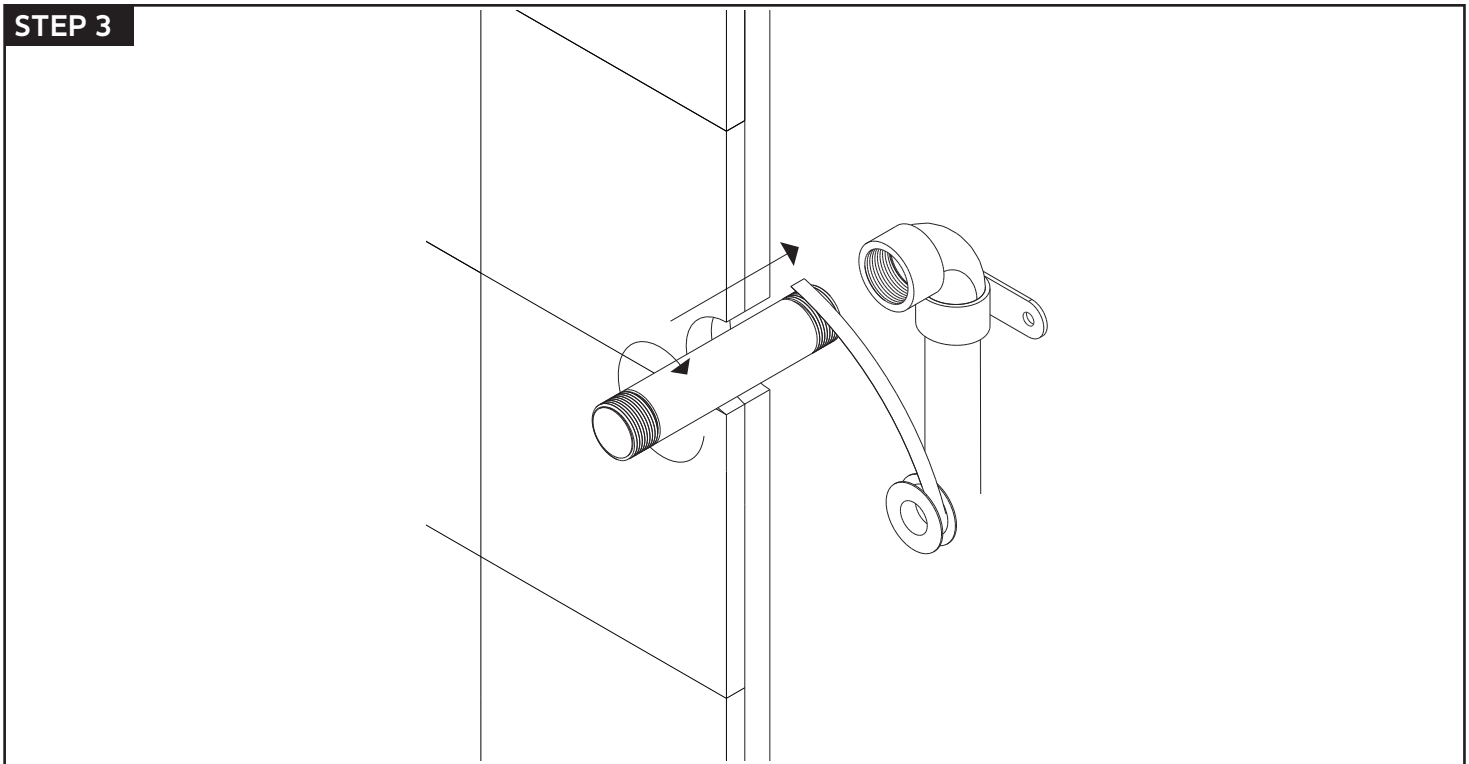
#### STEP 1



#### STEP 2

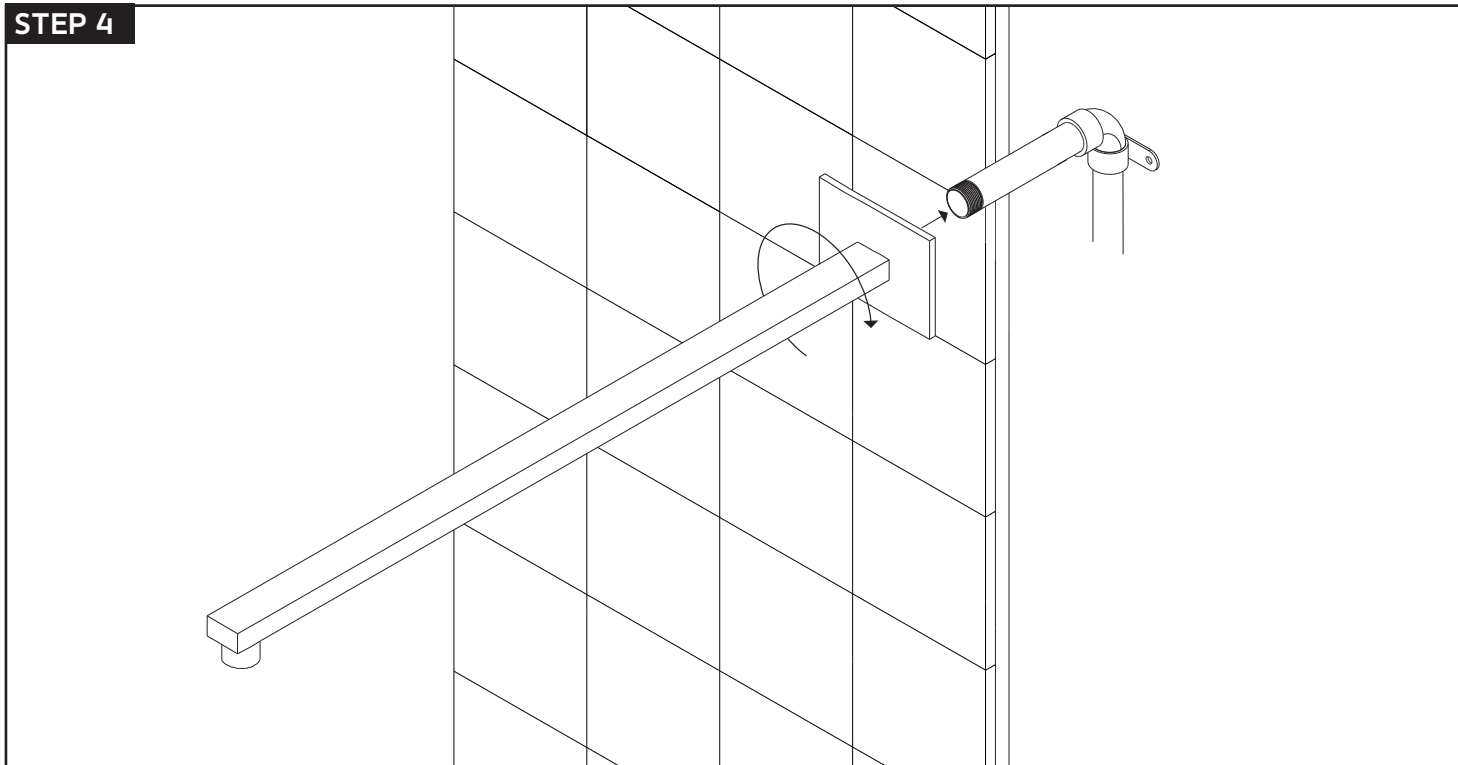


#### STEP 3

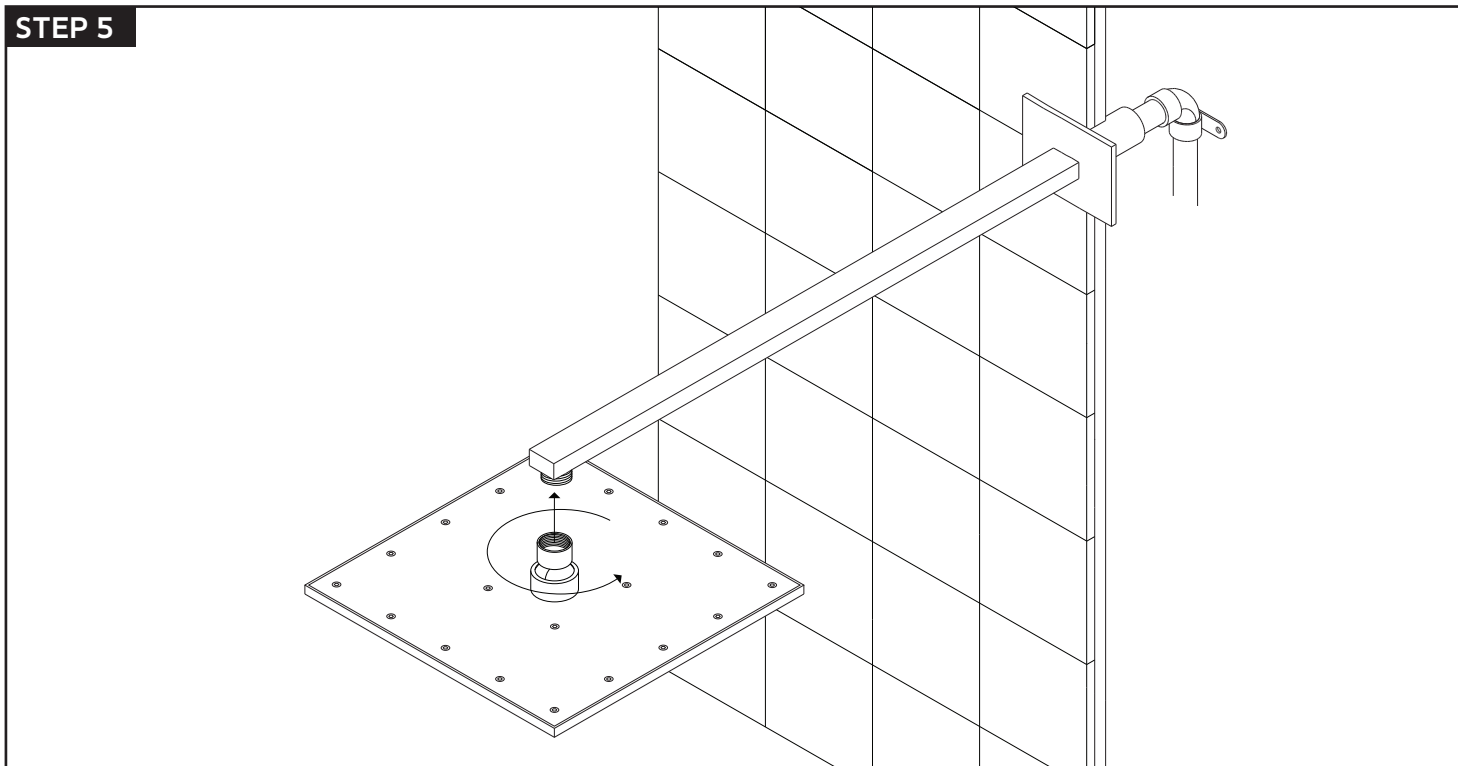


# INSTALLATION STEPS

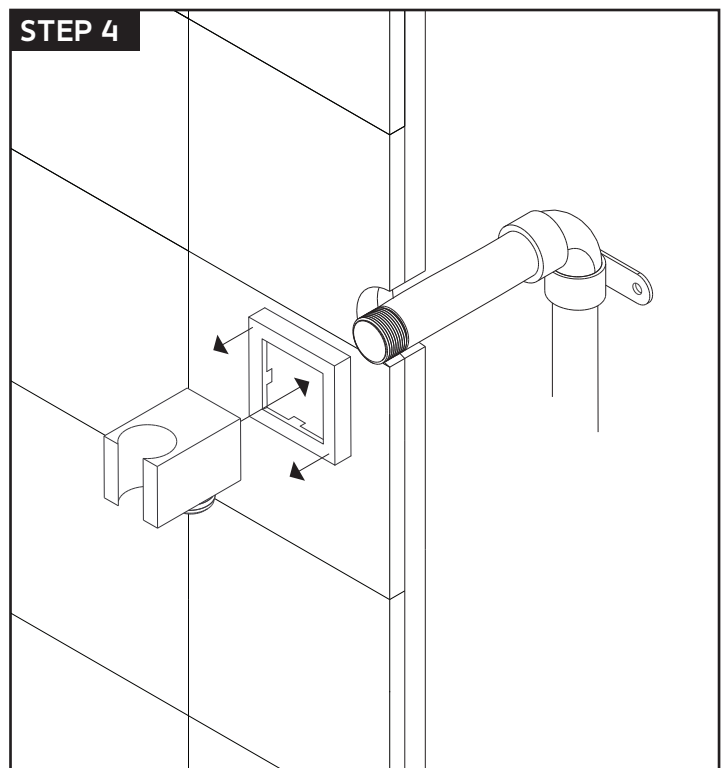
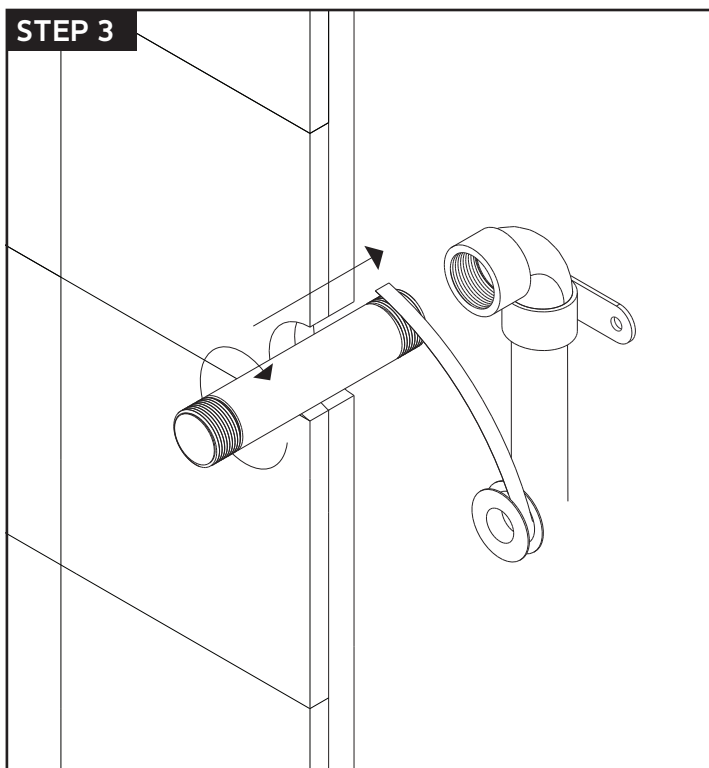
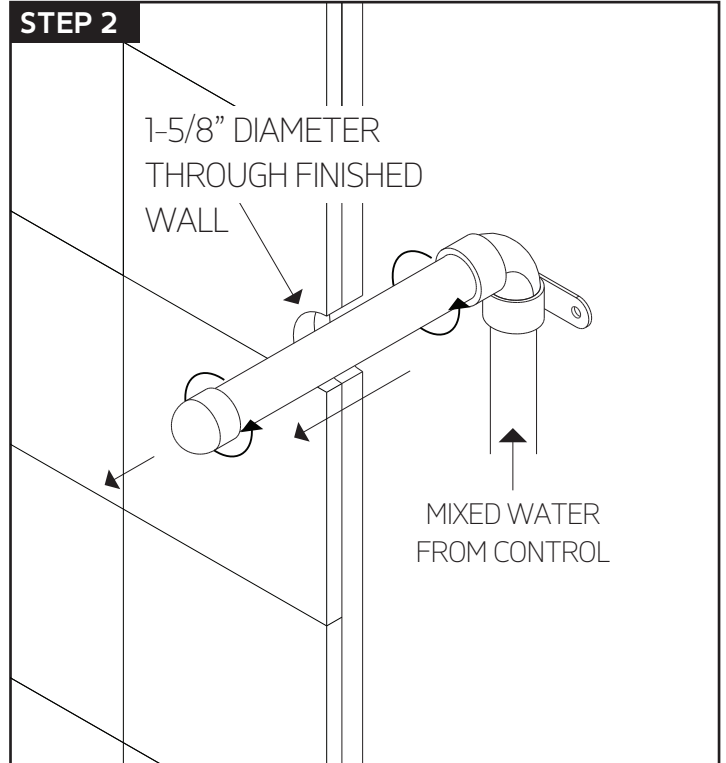
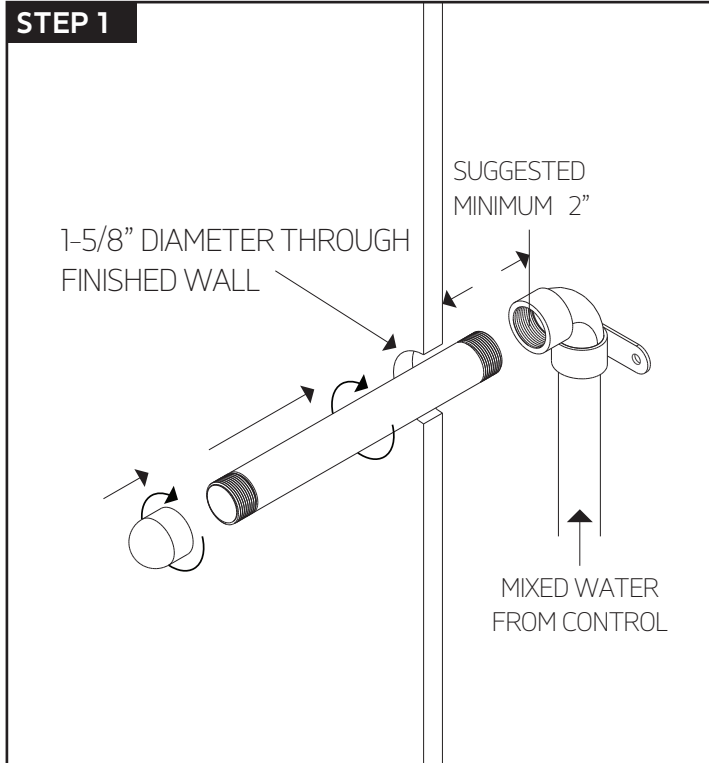
## STEP 4



## STEP 5

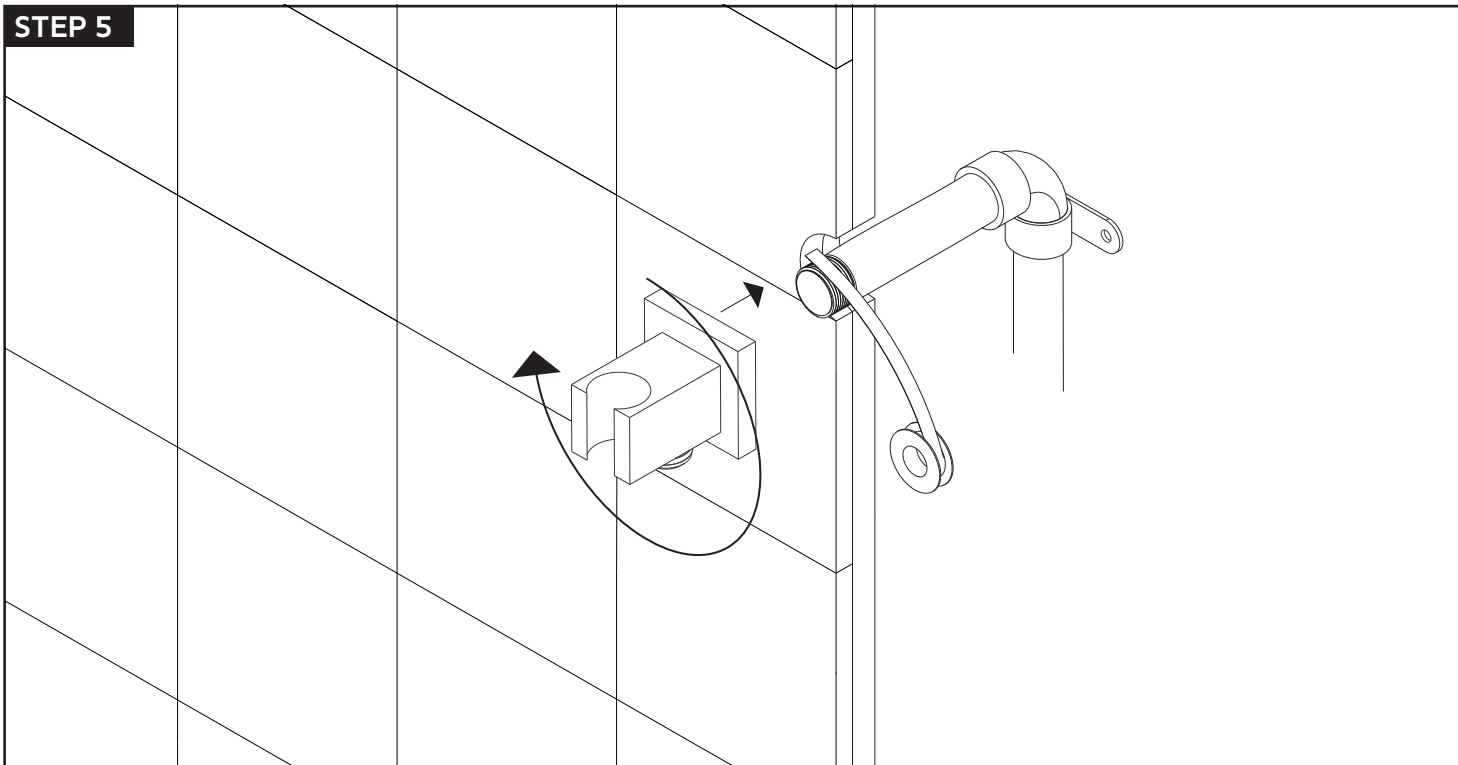


### hand shower

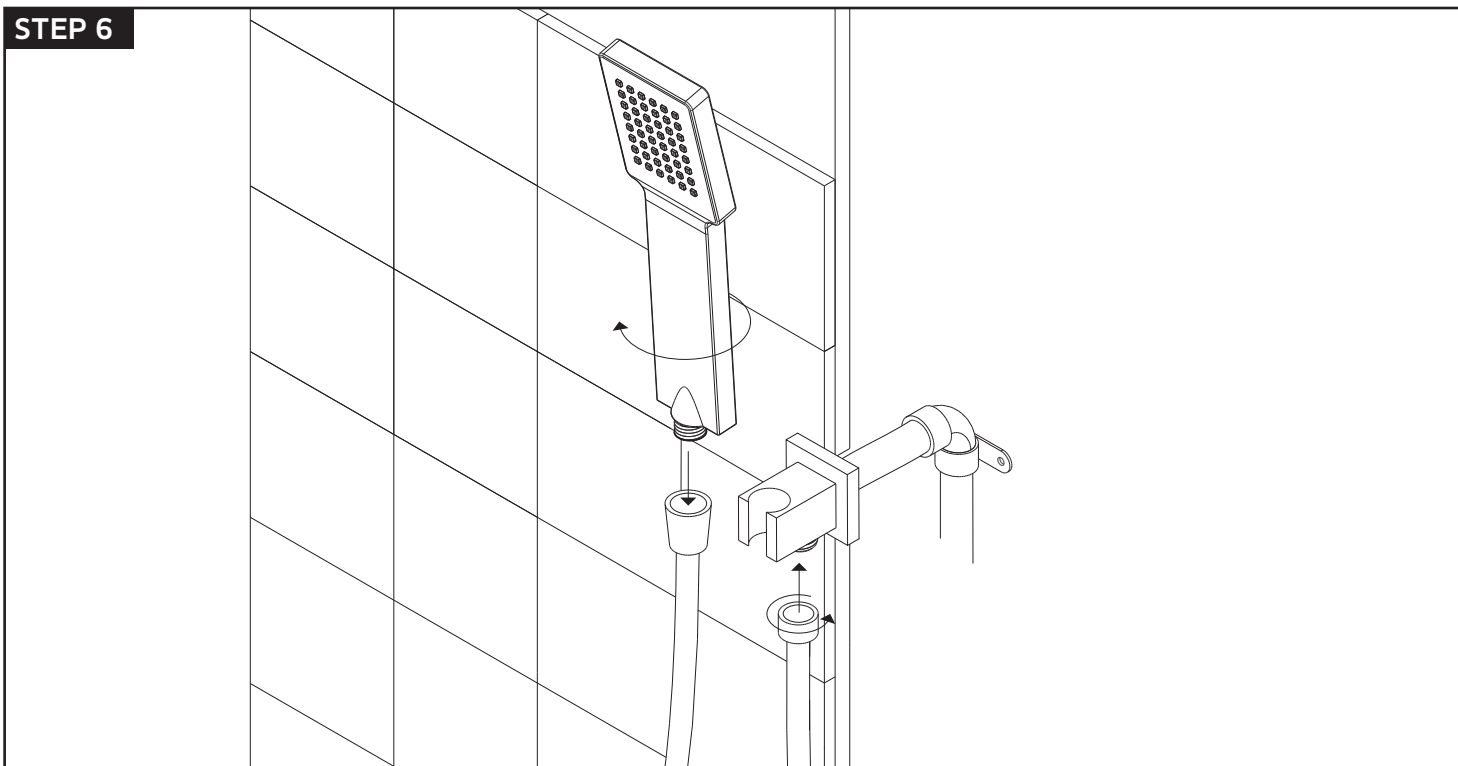


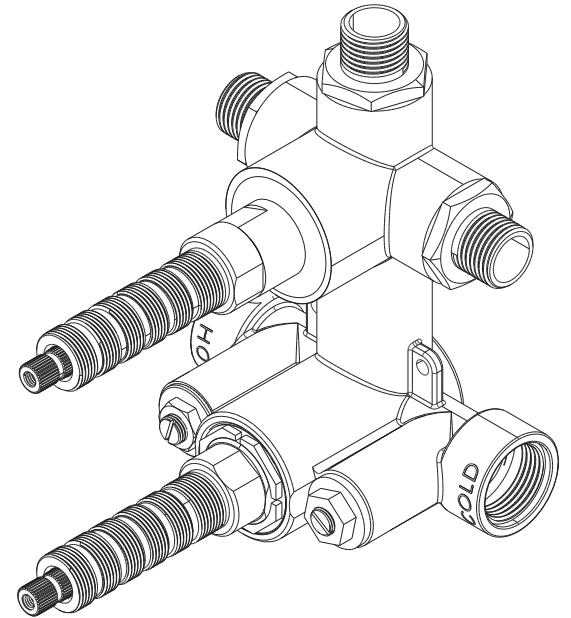
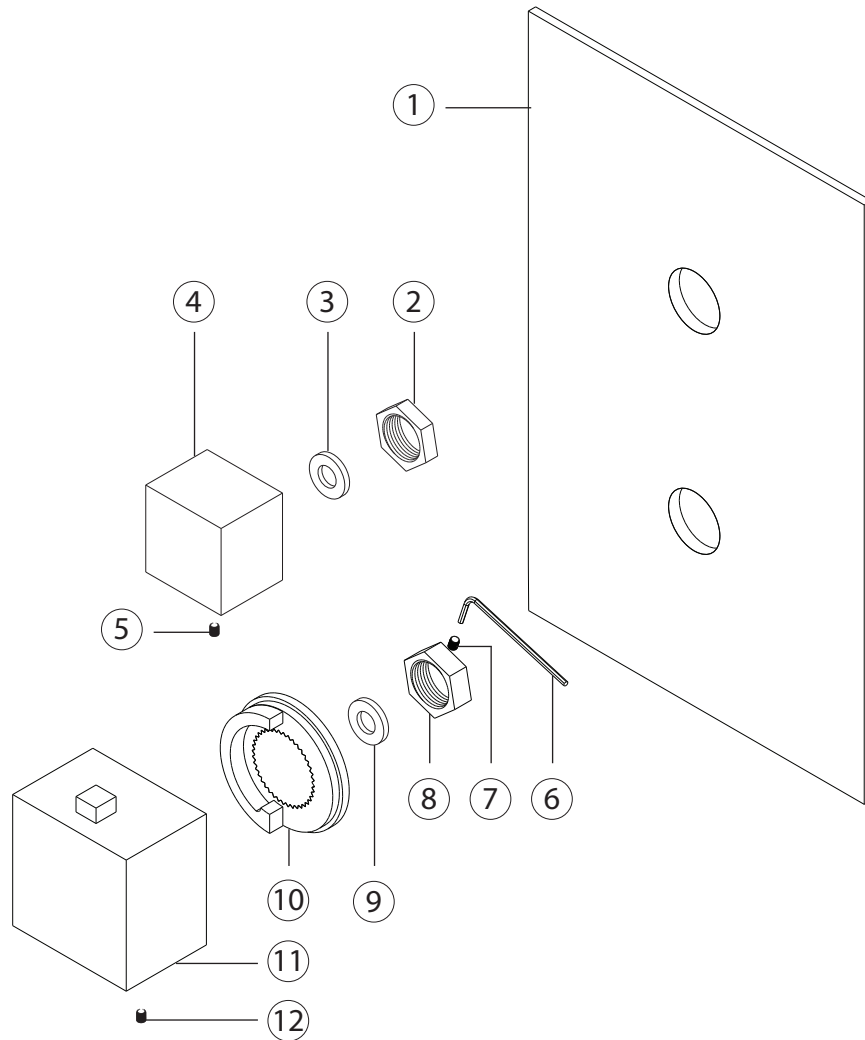
# INSTALLATION STEPS

## STEP 5

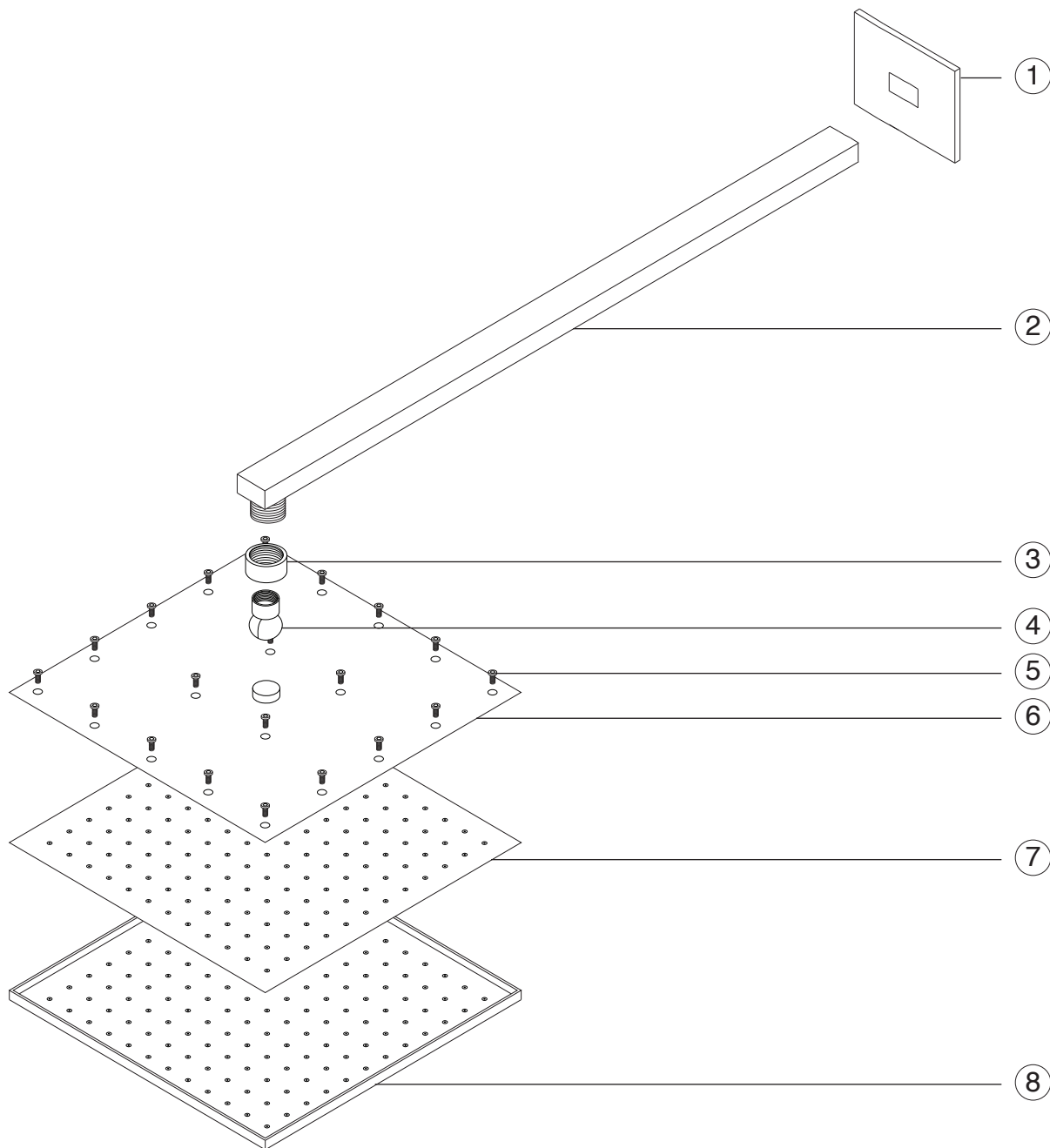


## STEP 6

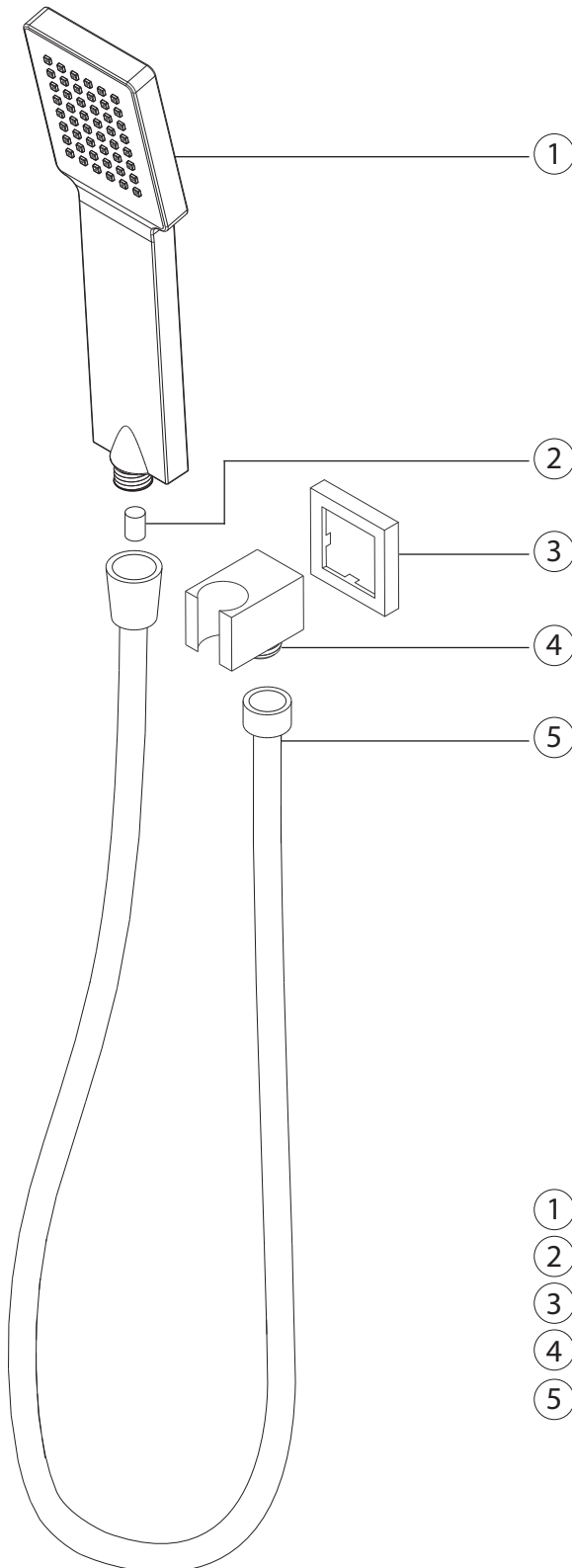




- |   |  |
|---|--|
| ① <b>ESCUTCHEON</b> F903B-59TK XP1            | ⑧ <b>THERMOSTAT LOCKING NUT</b> F903B-59TK XP8     |
| ② <b>DIVERTER LOCKING NUT</b> F903B-59TK XP2  | ⑨ <b>NYLON WASHER</b> F903B-59TK XP9               |
| ③ <b>NYLON WASHER</b> F903B-59TK XP3          | ⑩ <b>TEMPERATURE LIMITING RING</b> F903B-59TK XP10 |
| ④ <b>DIVERTER HANDLE</b> F903B-59TK XP4       | ⑪ <b>THERMOSTAT HANDLE</b> F903B-59TK XP11         |
| ⑤ <b>DIVERTER SET SCREW</b> F903B-59TK XP5    | ⑫ <b>THERMOSTAT SET SCREW</b> F903B-59TK XP12      |
| ⑥ <b>ALLEN WRENCH</b> F903B-59TK XP6          |  |
| ⑦ <b>LOCKING NUT SET SCREW</b> F903B-59TK XP7 |  |



- ① **SHOWER ESCUTCHEON** F907-50 XP1
- ② **SHOWER ARM** F907-50 XP2
- ③ **SWIVEL ARM SECURING NUT** F907-50 XP3
- ④ **SWIVEL ARM** F907-50 XP4
- ⑤ **SHOWER HEAD SCREWS** F907-50 XP5
- ⑥ **SHOWER HEAD TOP** F907-50 XP6
- ⑦ **RUBBER MATRIX** F907-50 XP7
- ⑧ **SHOWER HEAD BOTTOM** F907-50 XP8



- ① **HAND SHOWER** F703-6 XP1
- ② **HAND SHOWER CHECK VALVE** F703-6 XP2
- ③ **ESCUTCHEON PLATE** F703-6 XP3
- ④ **SHOWER OUTLET ELBOW AND HOLDER** F703-6 XP4
- ⑤ **SHOWER HOSE** F703-6 XP5