

artos[®]

PS137

INSTALLATION GUIDE

premier series shower set

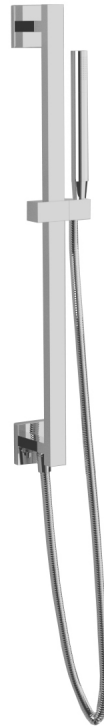
BRUSHED NICKEL (BN)



CHROME (CH)



BLACK (BK)



artos[®]

PS137

OPERATING SPECIFICATIONS

premier series shower set



FEATURES

Solid Brass
2-Outlets

OPERATING PRESSURE

Minimum: 15 psi
Maximum: 75 psi
Above 90psi it may be necessary to install a pressure reducer

OPERATING TEMPERATURE

Maximum: 176°

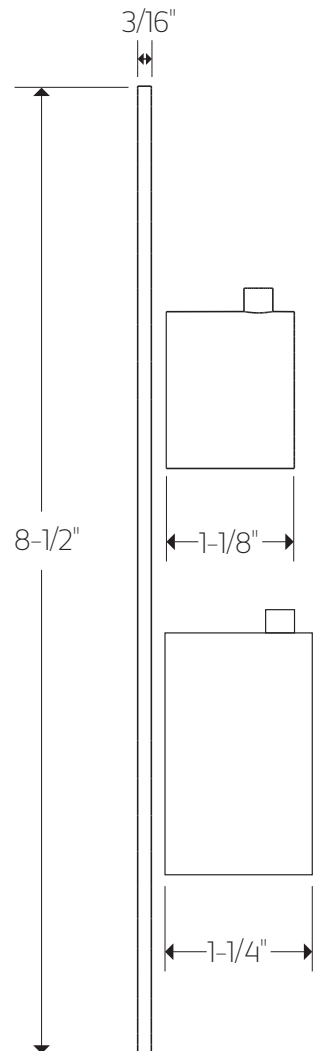
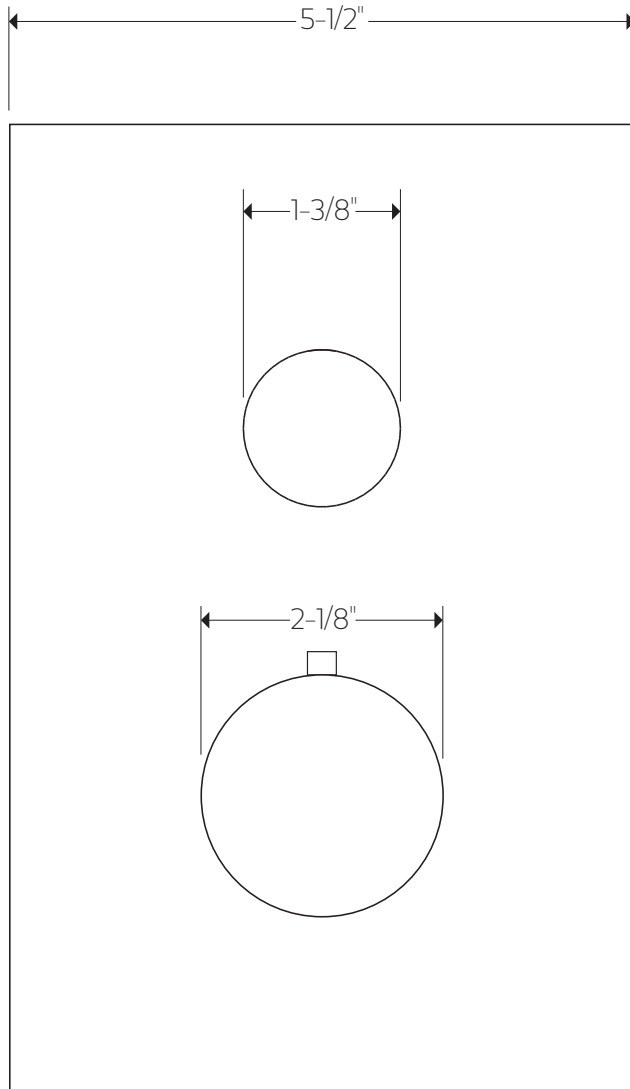
FLOW CAPACITY

Hand Shower: 1.8 USGPM
Shower Head: 1.8 USGPM



F901-8 & F902-14 APPROVAL





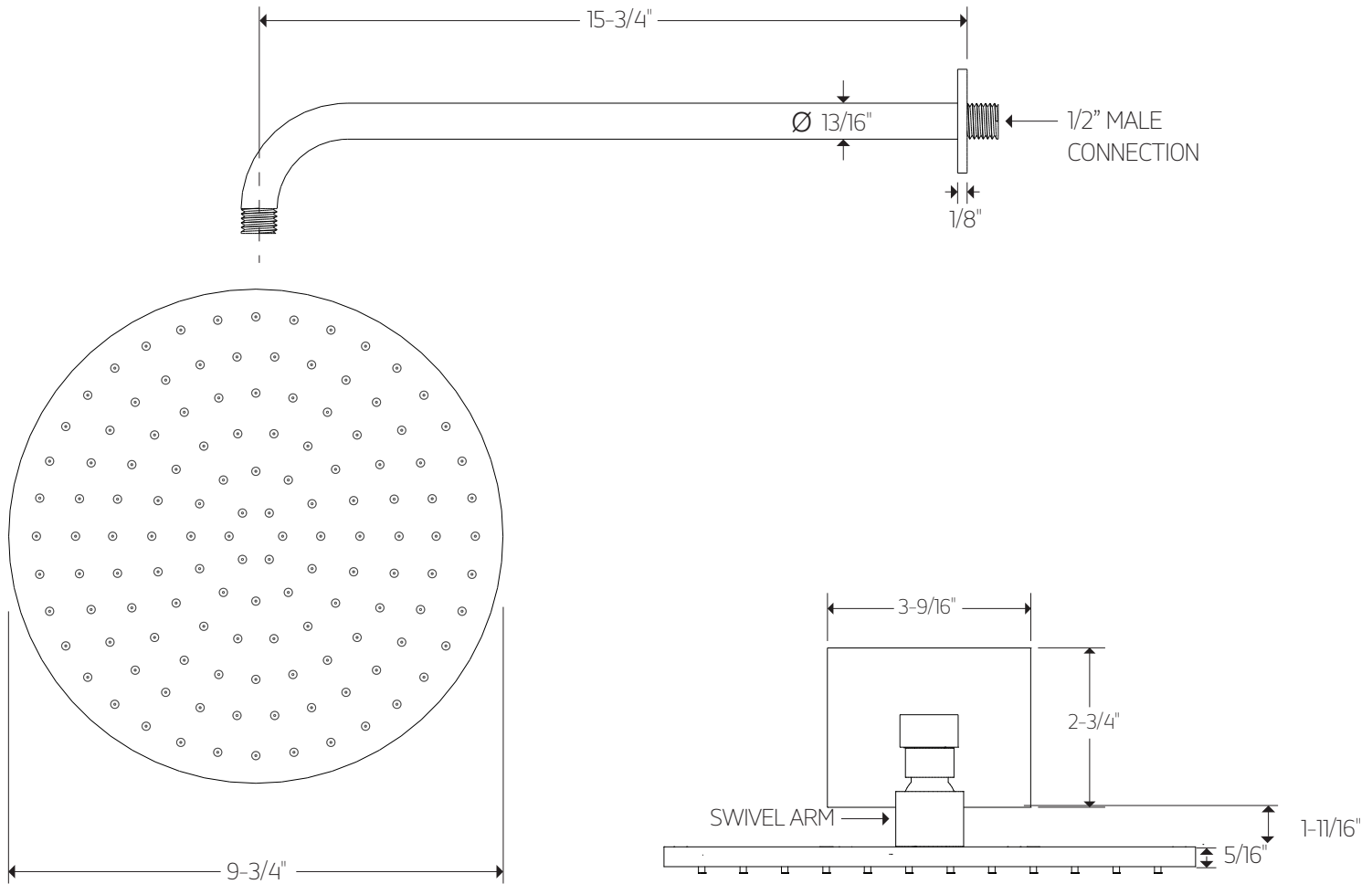
artos[®]

PS137

premier series shower set

PRODUCT DIMENSIONS

for shower head



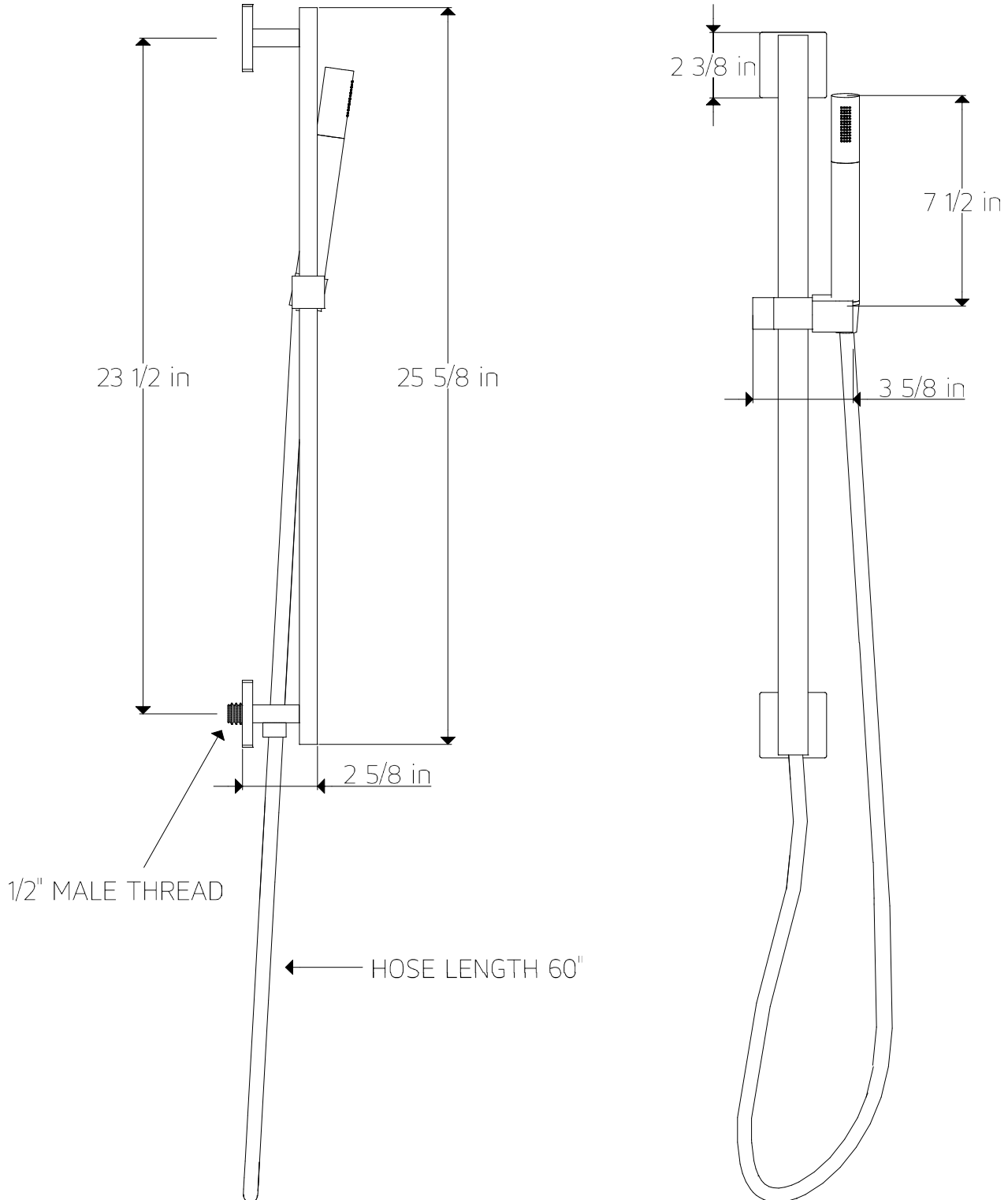
artos[®]

PS137

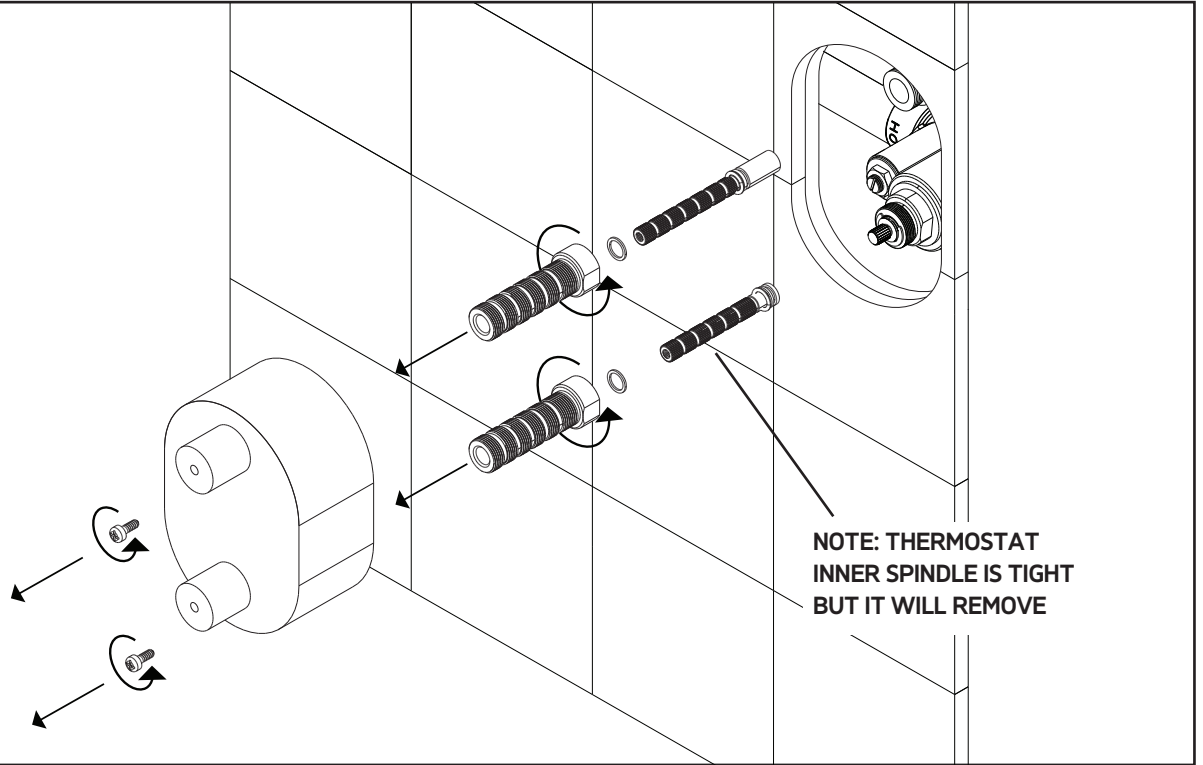
premier series shower kit

PRODUCT DIMENSIONS

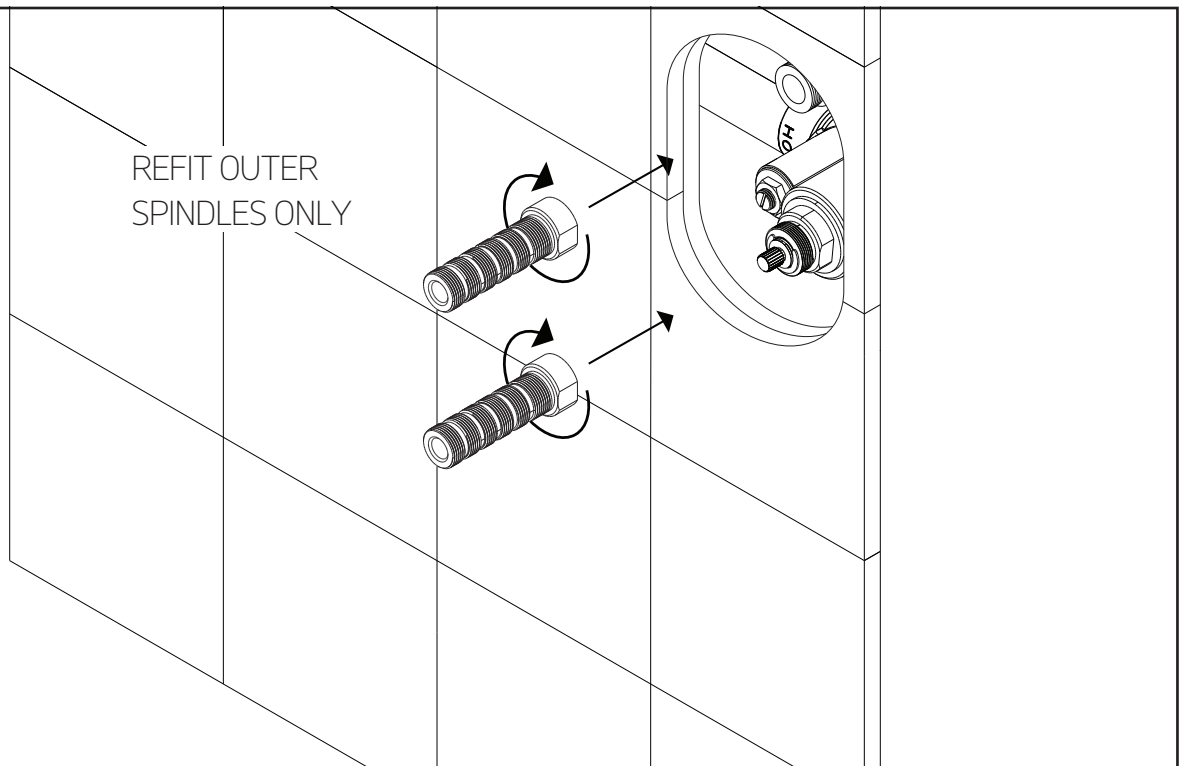
for hand shower



STEP 1

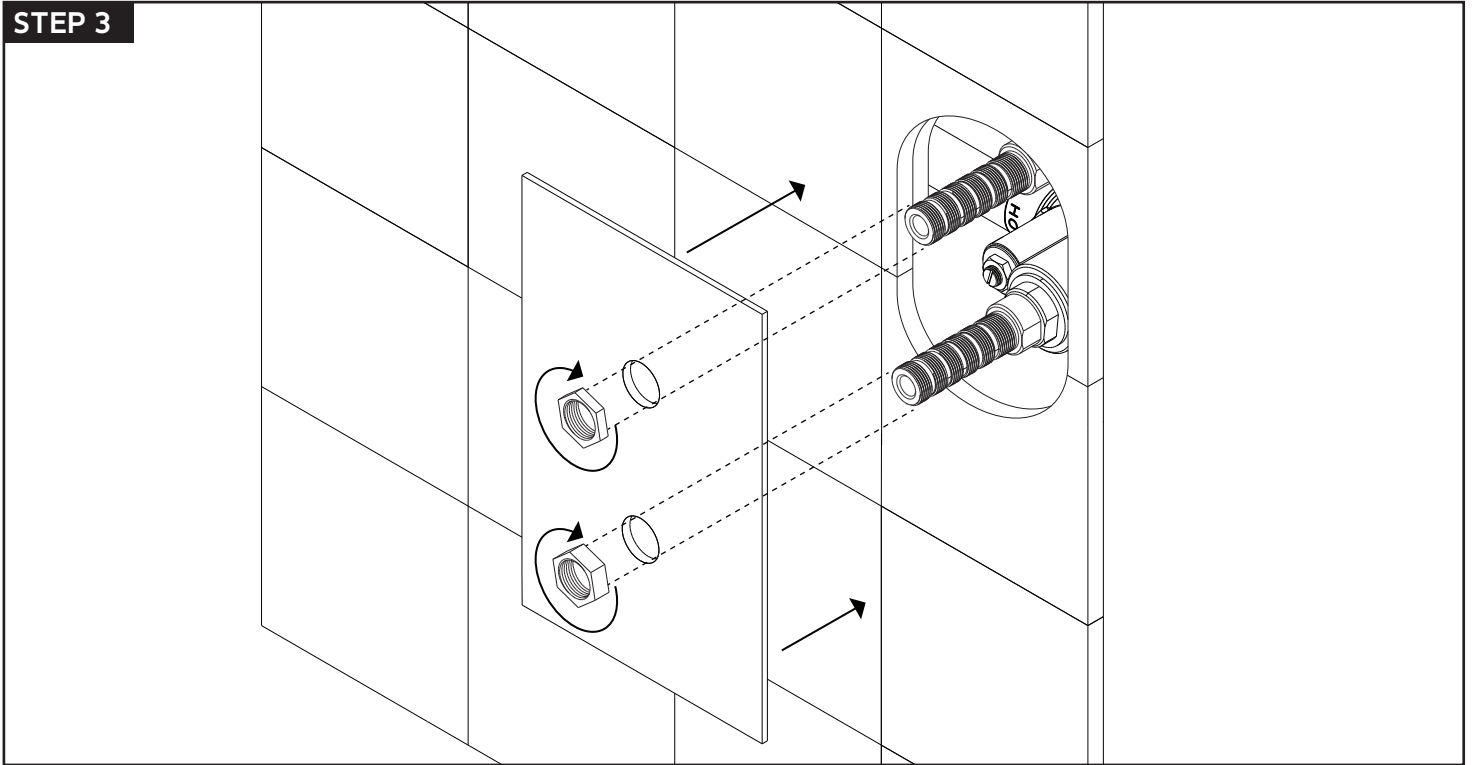


STEP 2

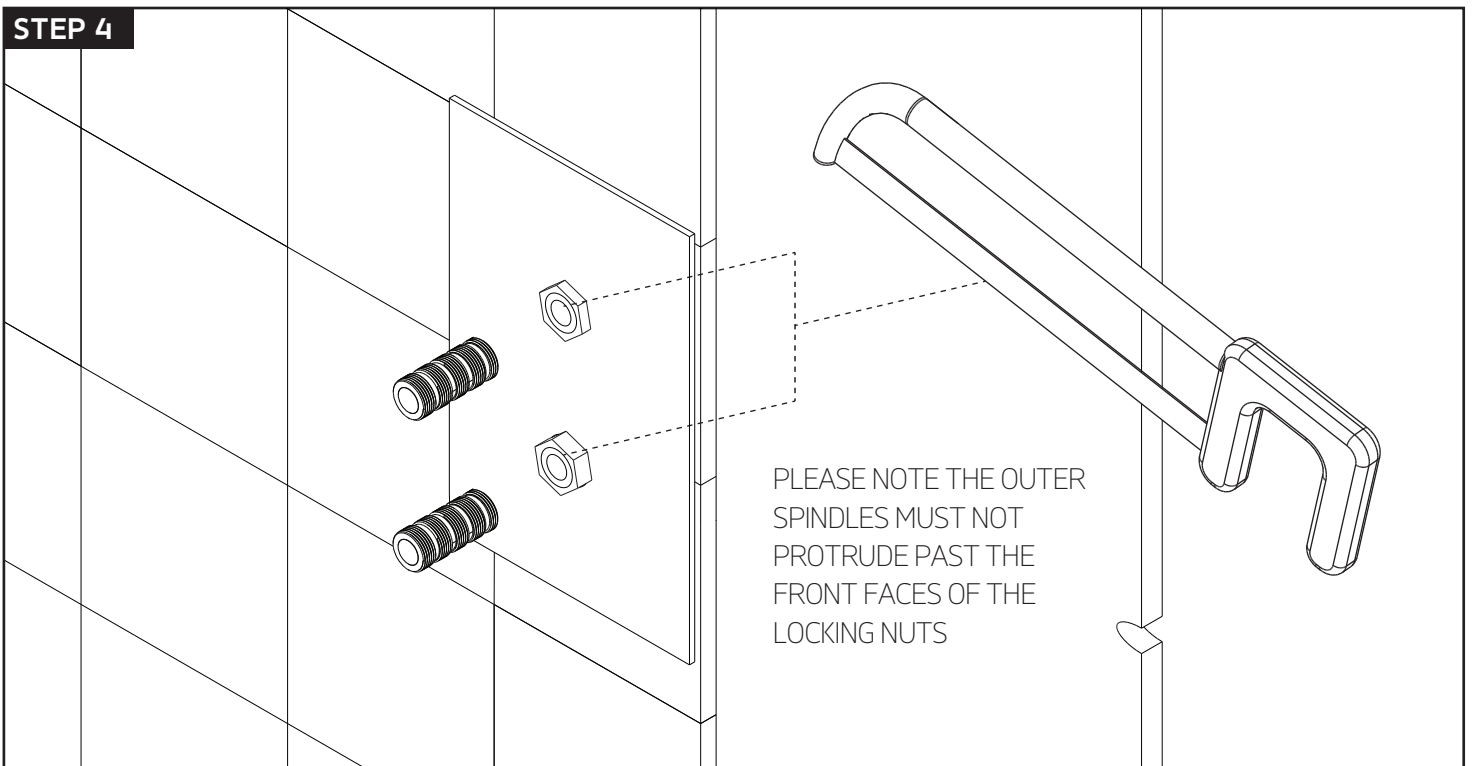


INSTALLATION STEPS

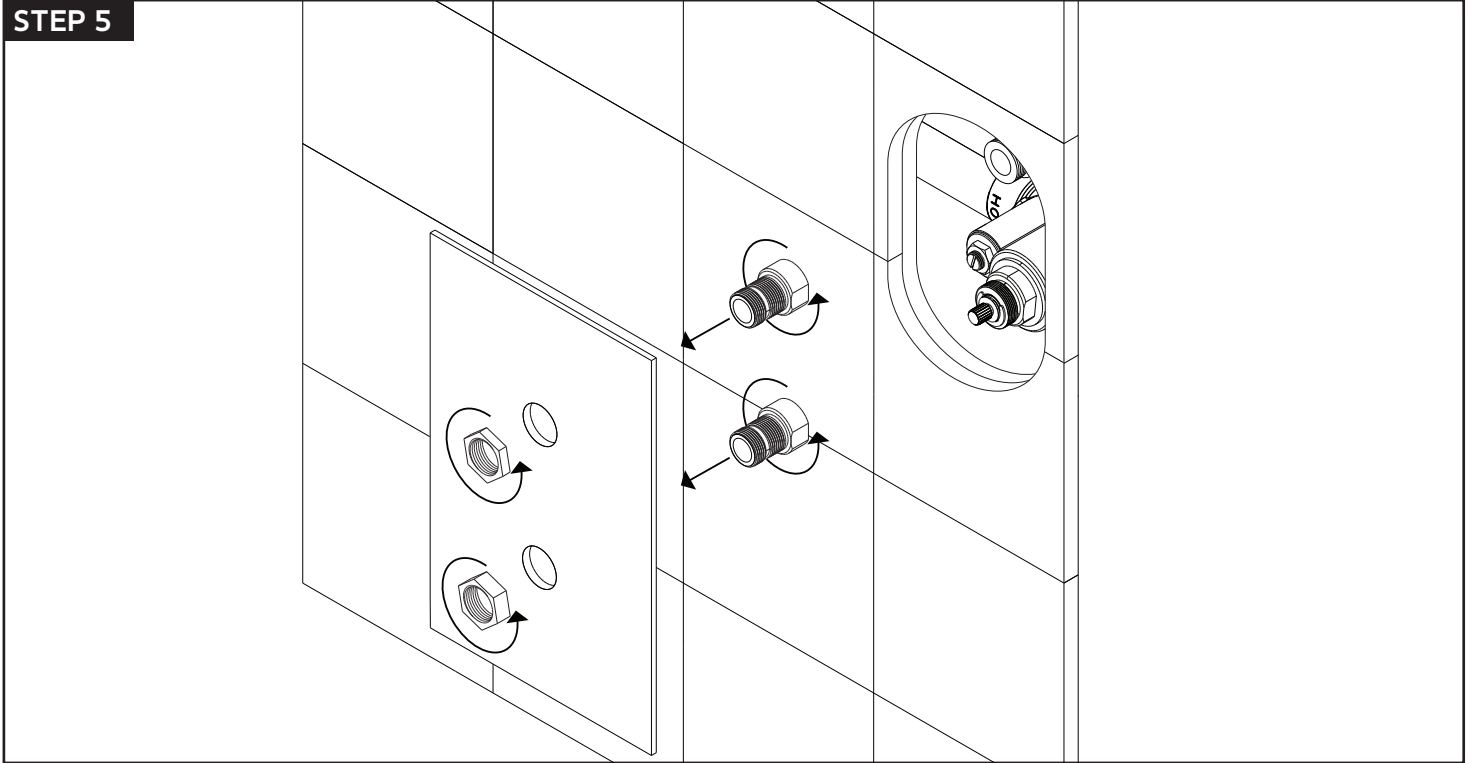
STEP 3



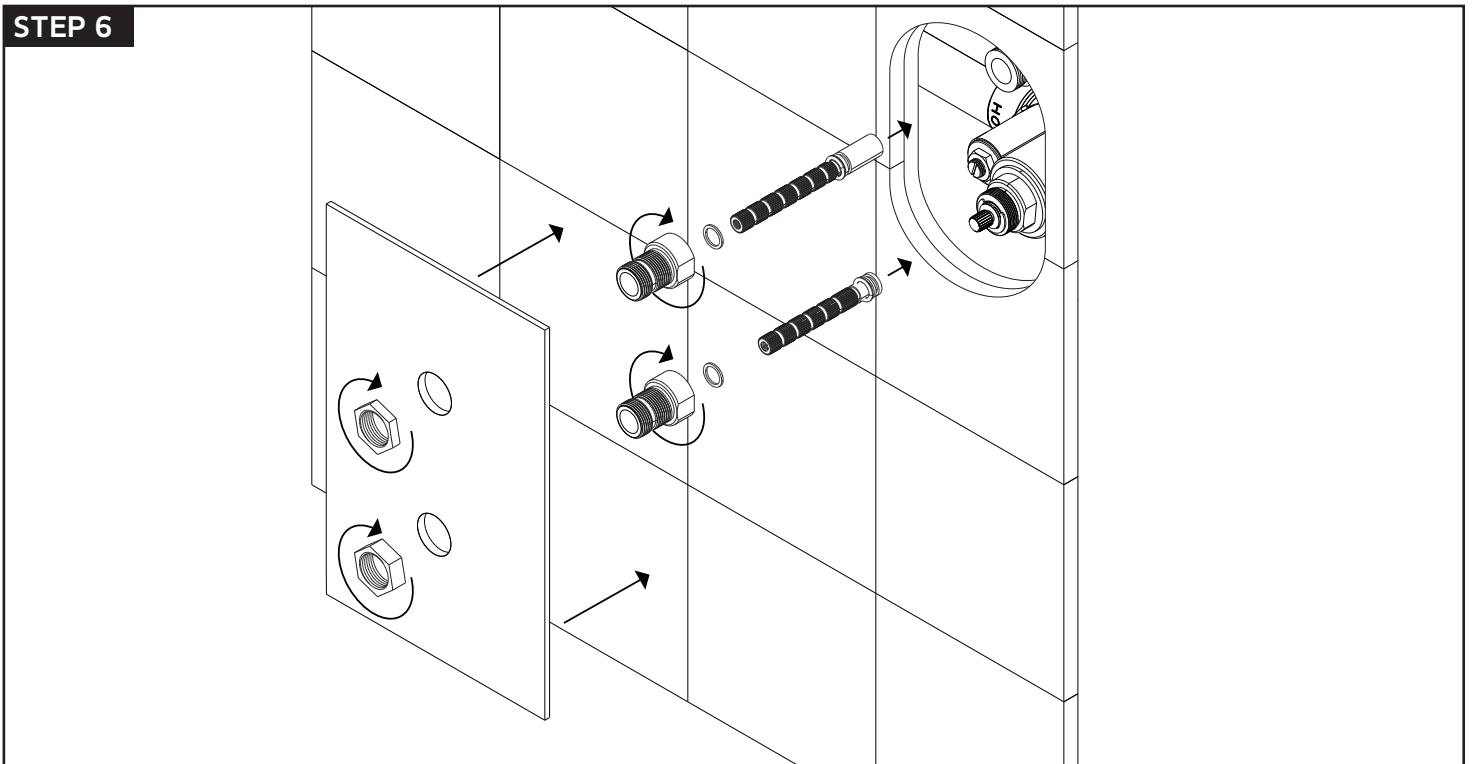
STEP 4



STEP 5

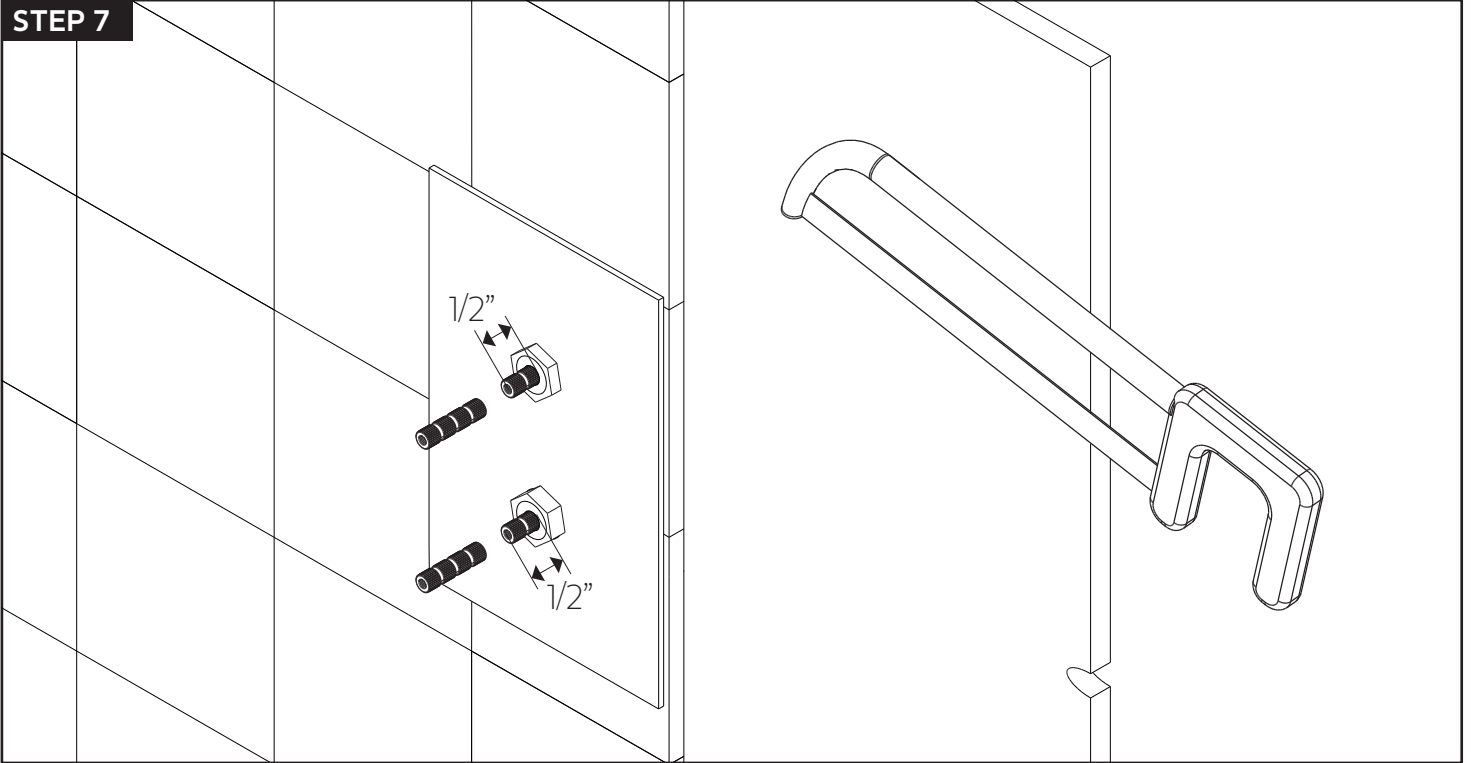


STEP 6

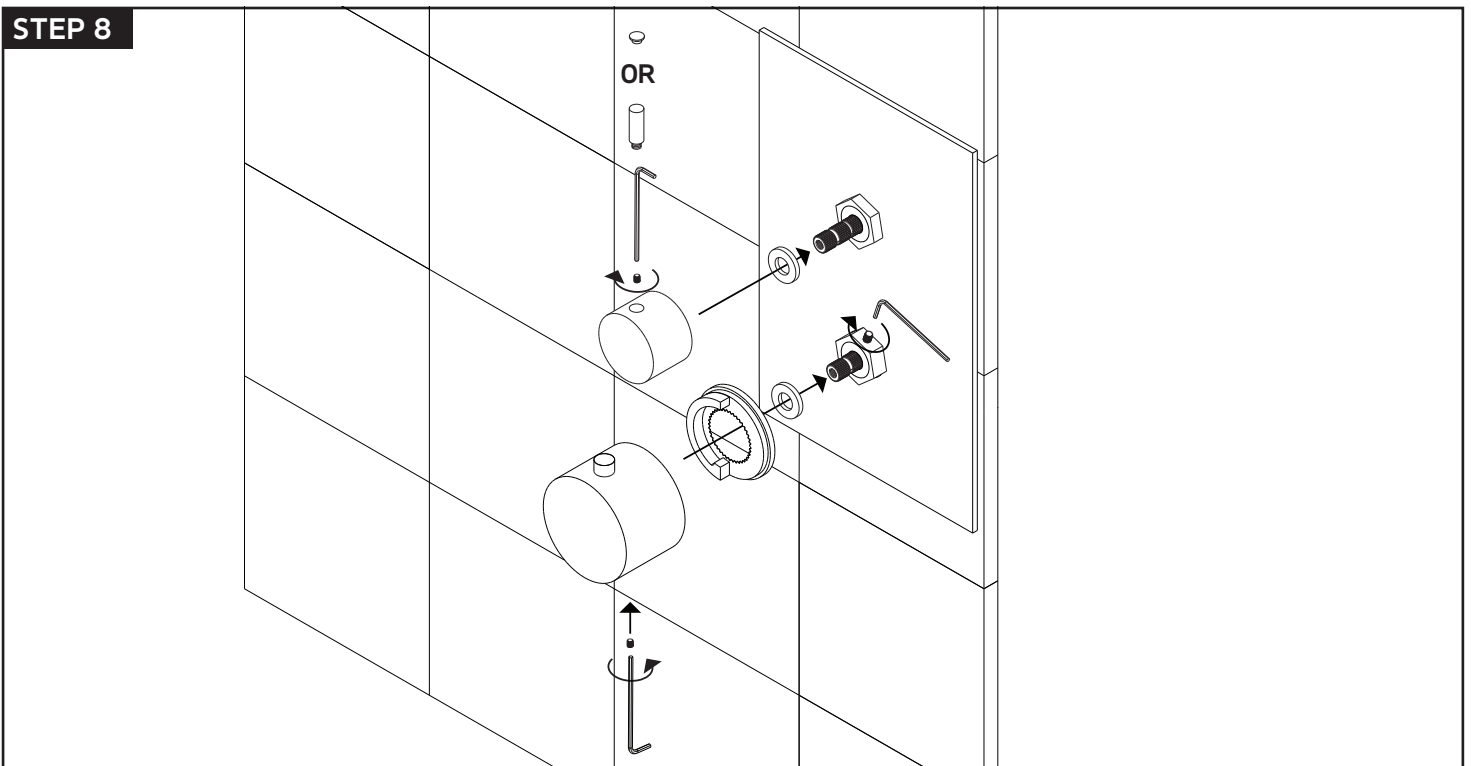


INSTALLATION STEPS

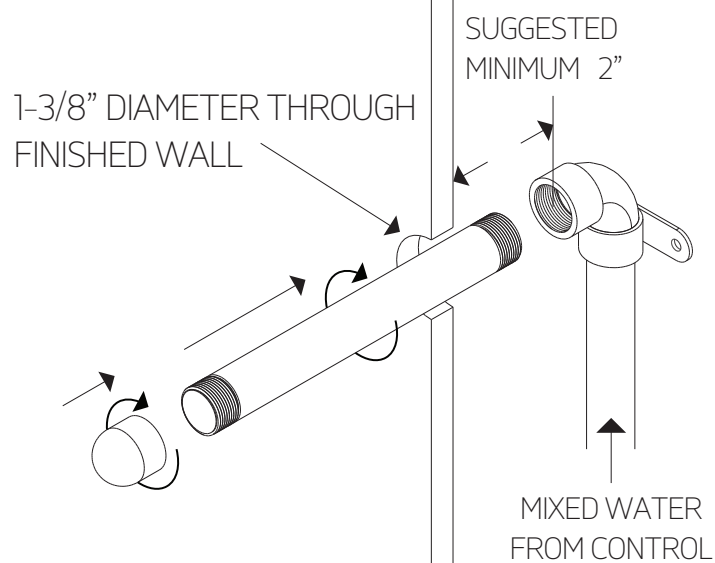
STEP 7



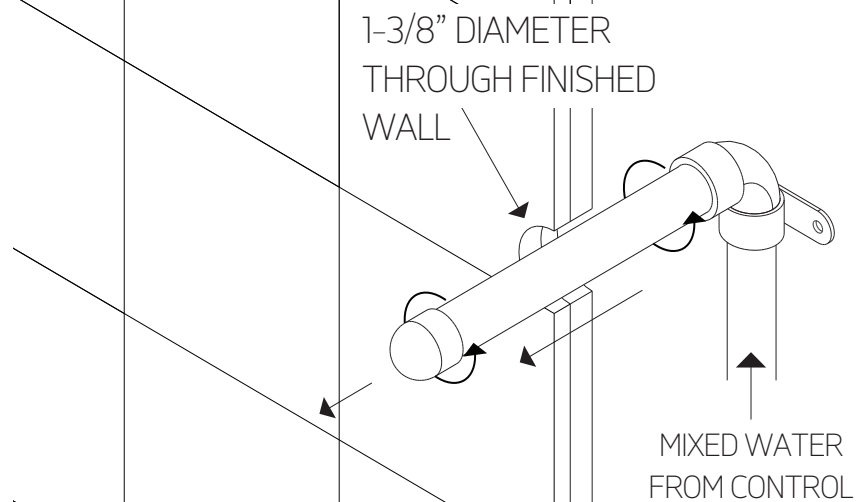
STEP 8



STEP 1

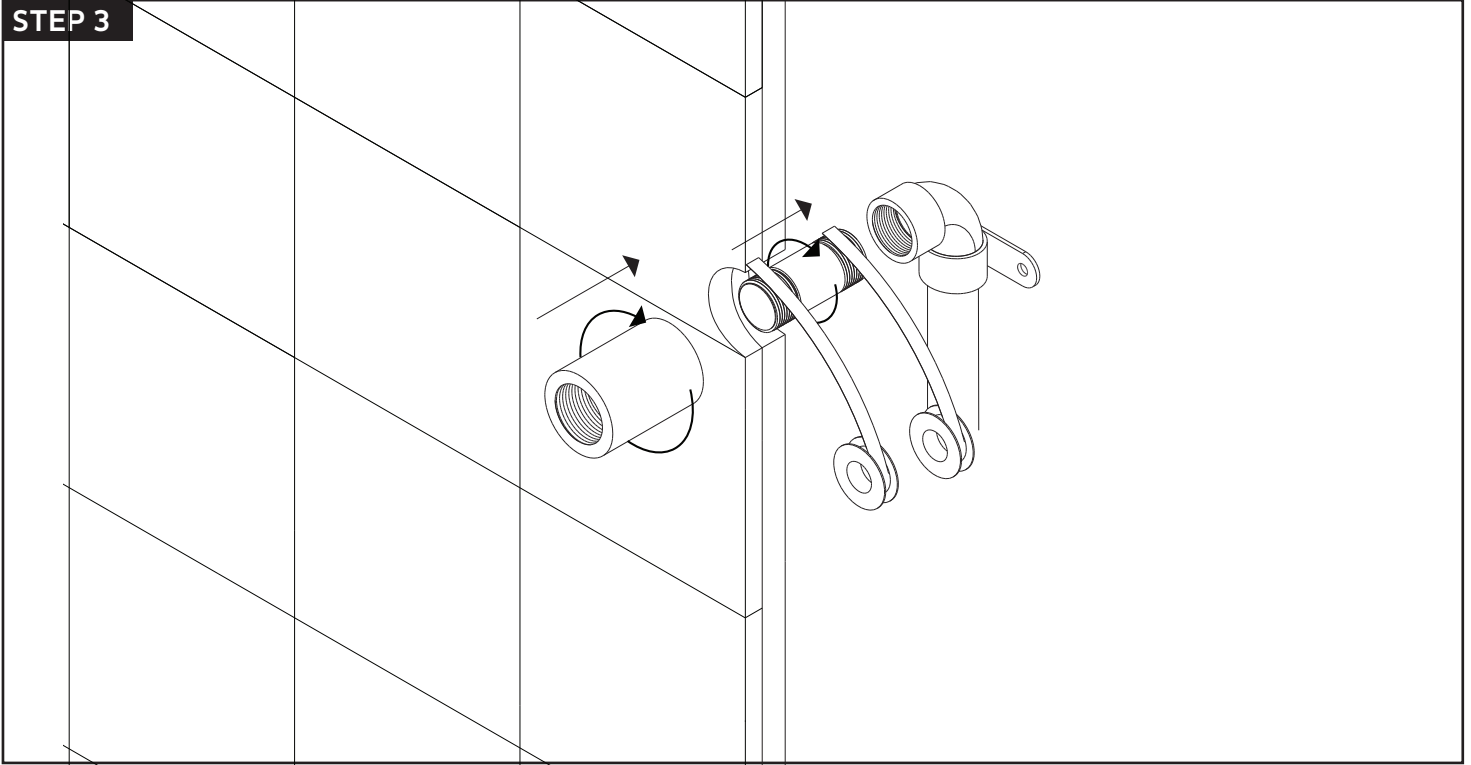


STEP 2

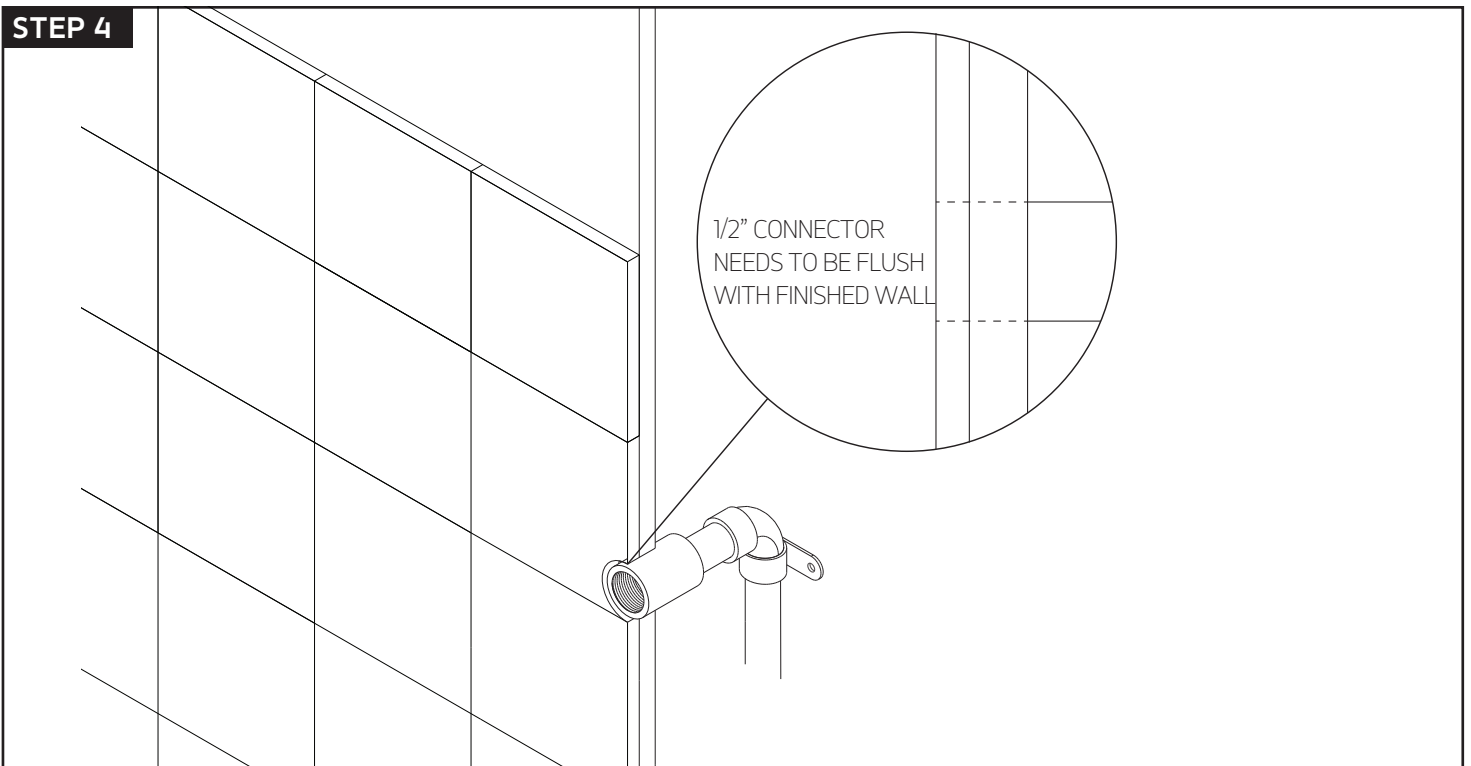


INSTALLATION STEPS

STEP 3



STEP 4

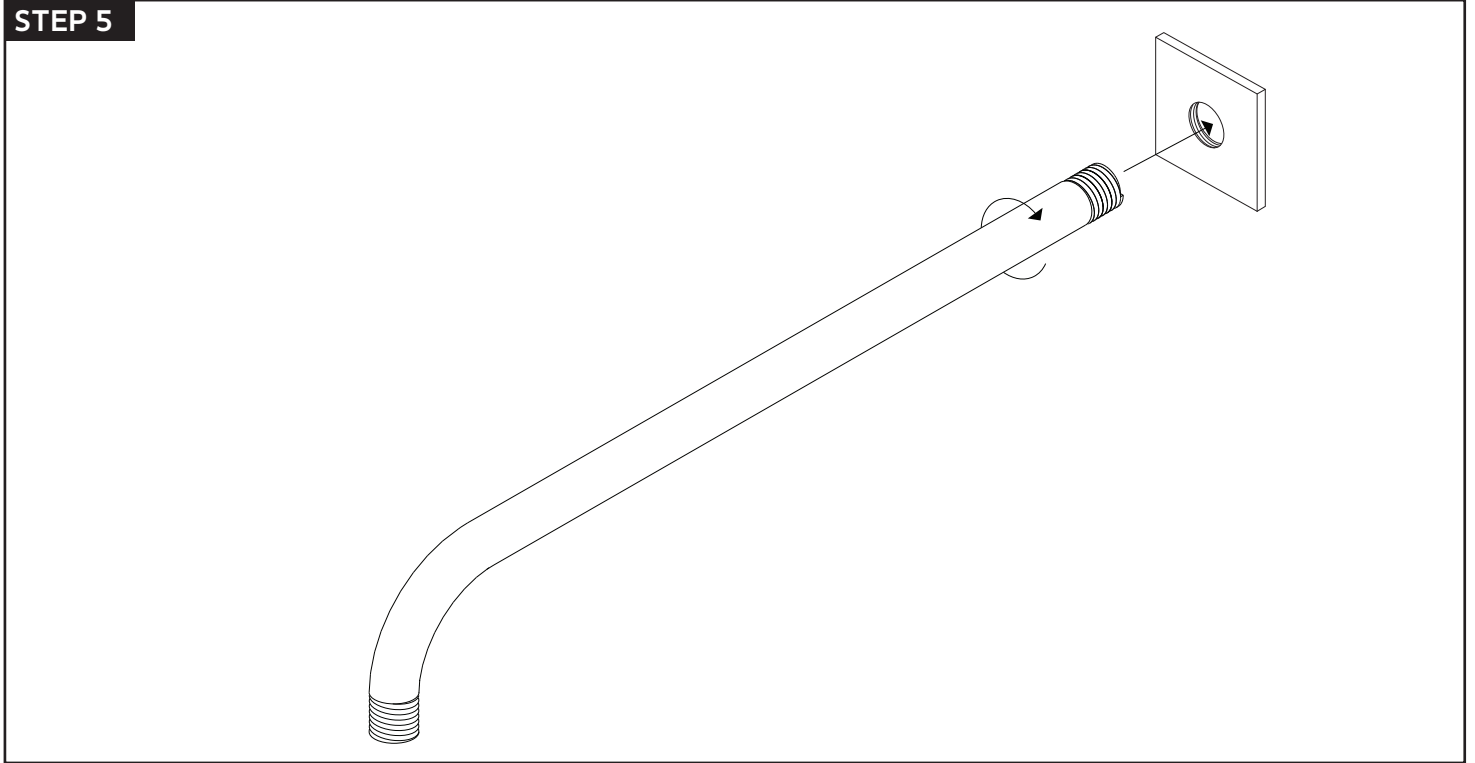


artos[®]

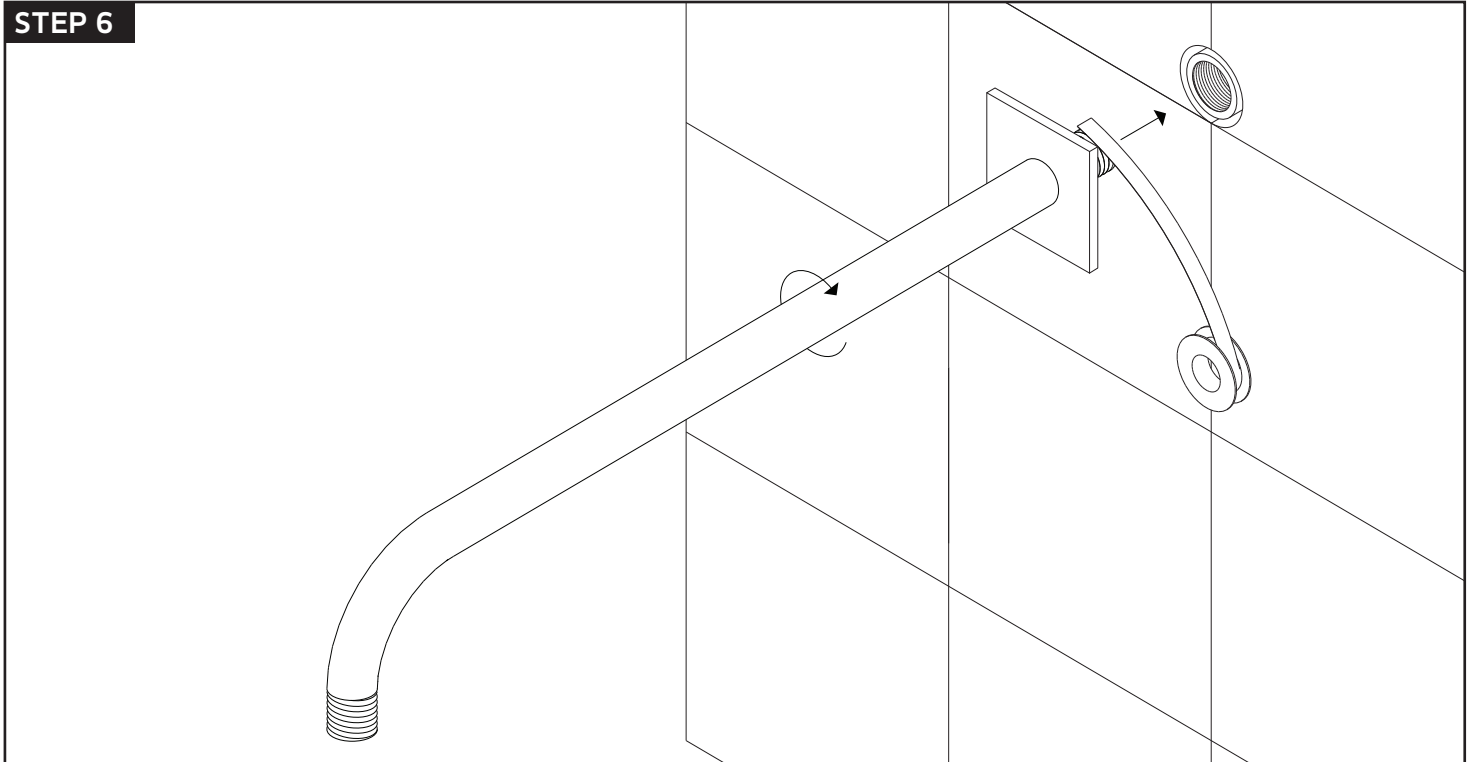
PS137

shower head

STEP 5

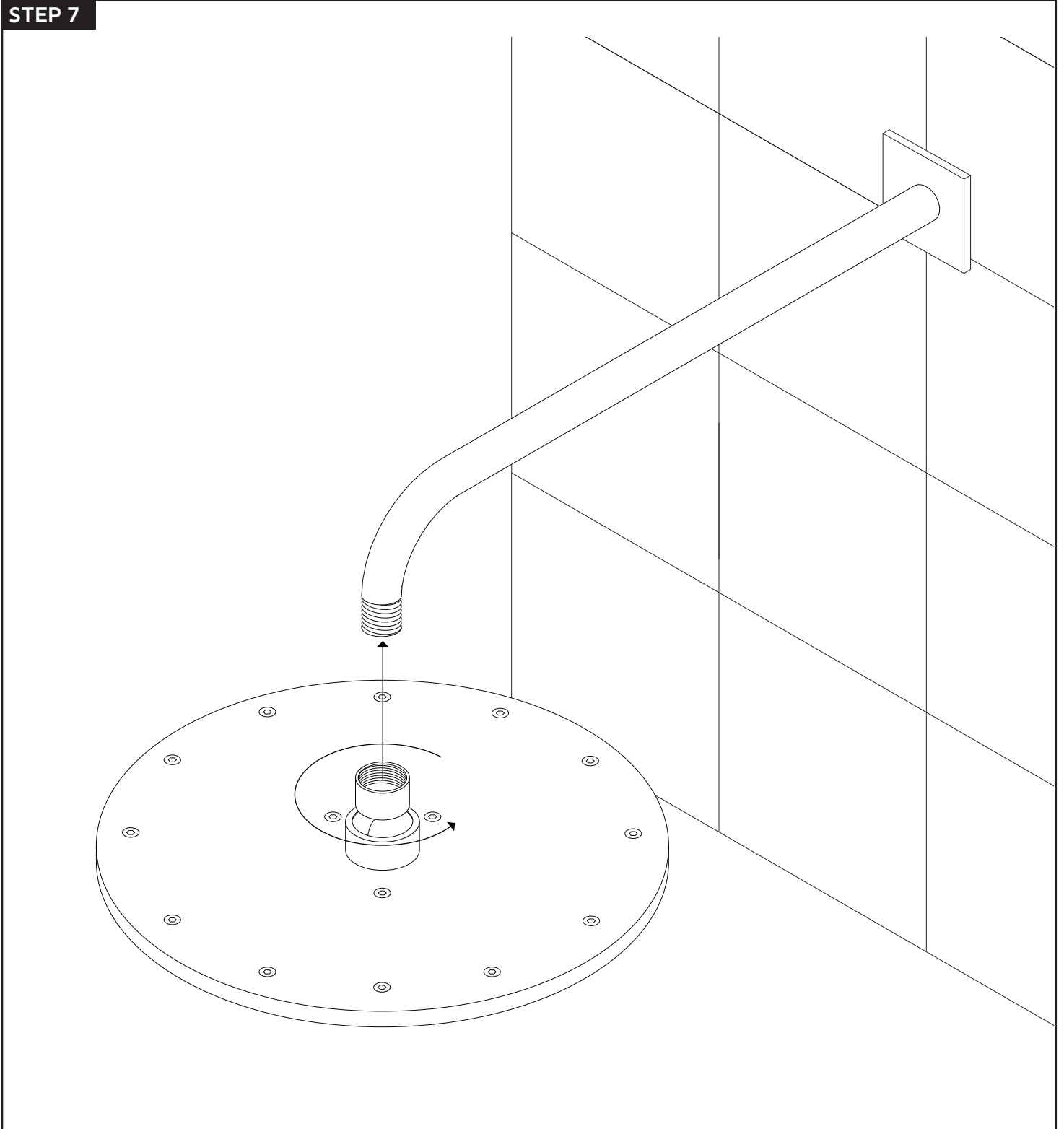


STEP 6



INSTALLATION STEPS

STEP 7



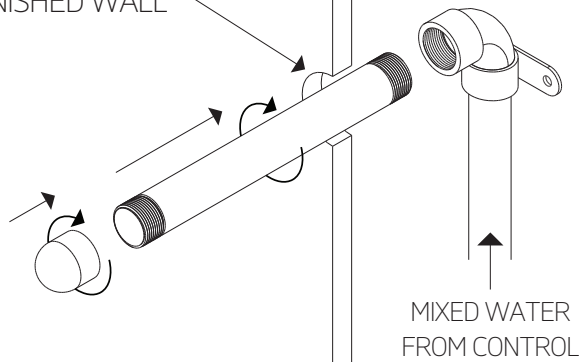
artos[®]

PS137

hand shower

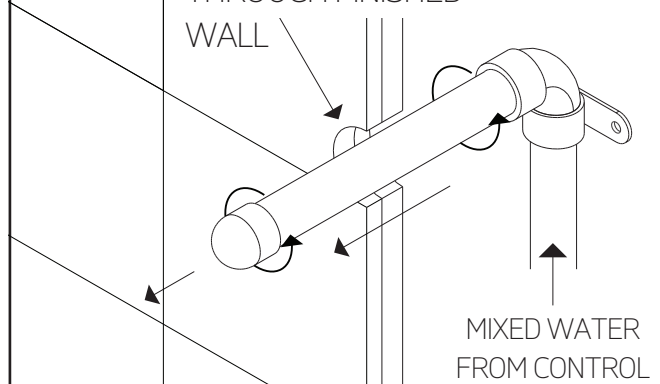
STEP 1

1-3/8" DIAMETER THROUGH FINISHED WALL

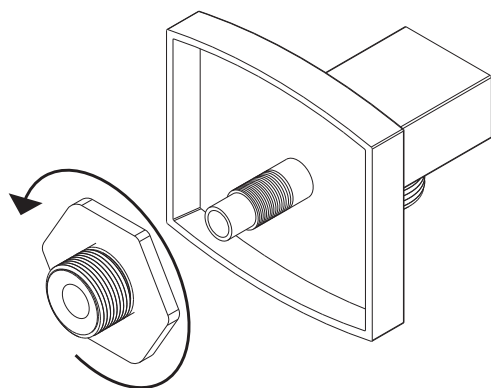


STEP 2

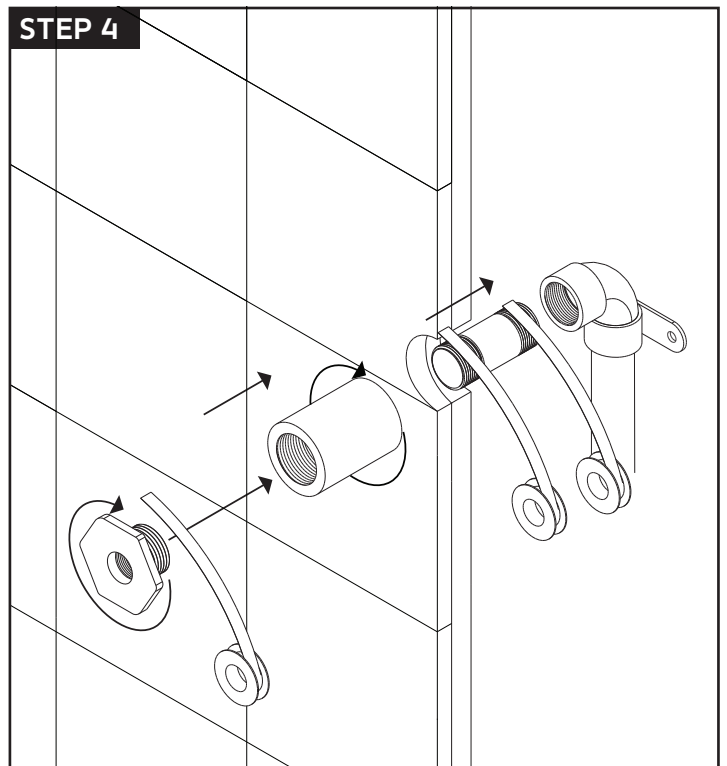
1-3/8" DIAMETER THROUGH FINISHED WALL



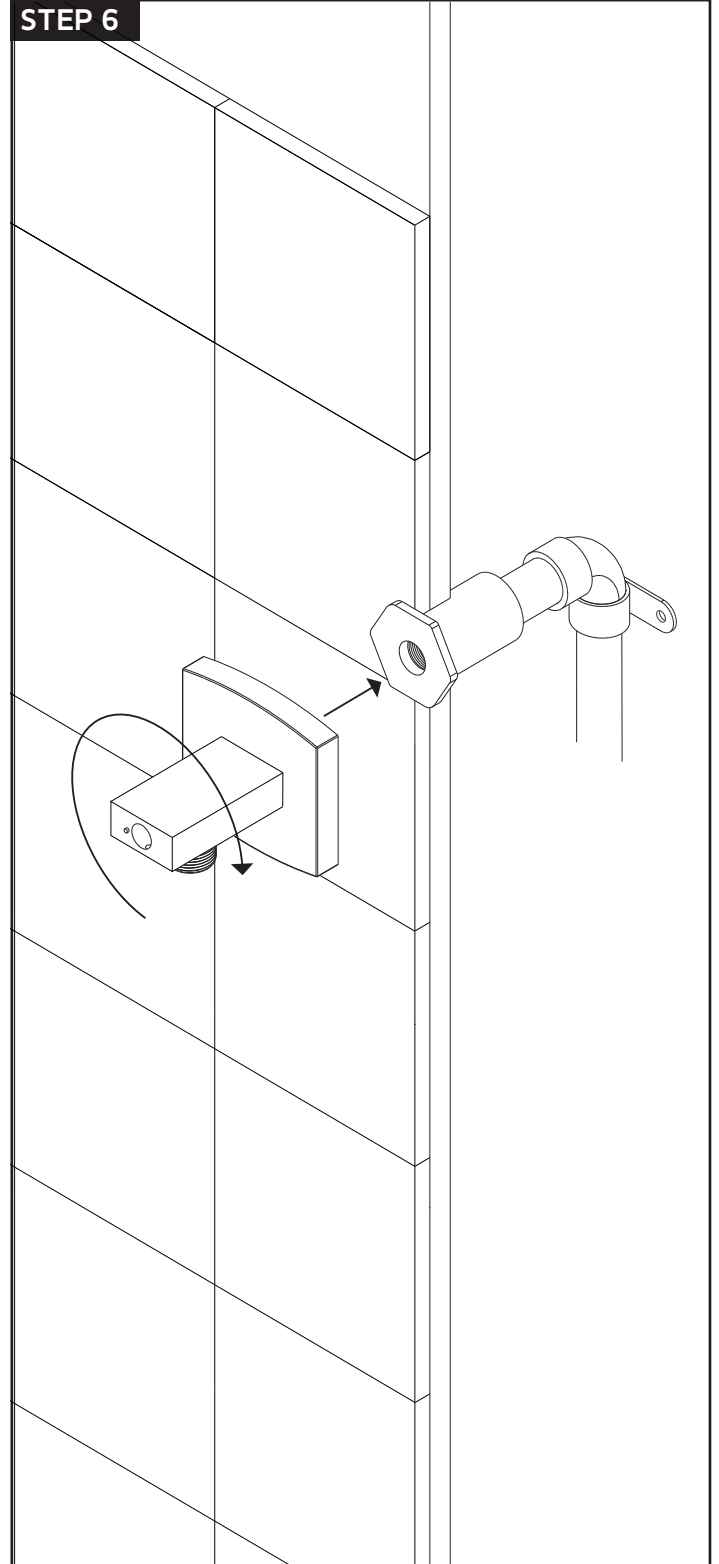
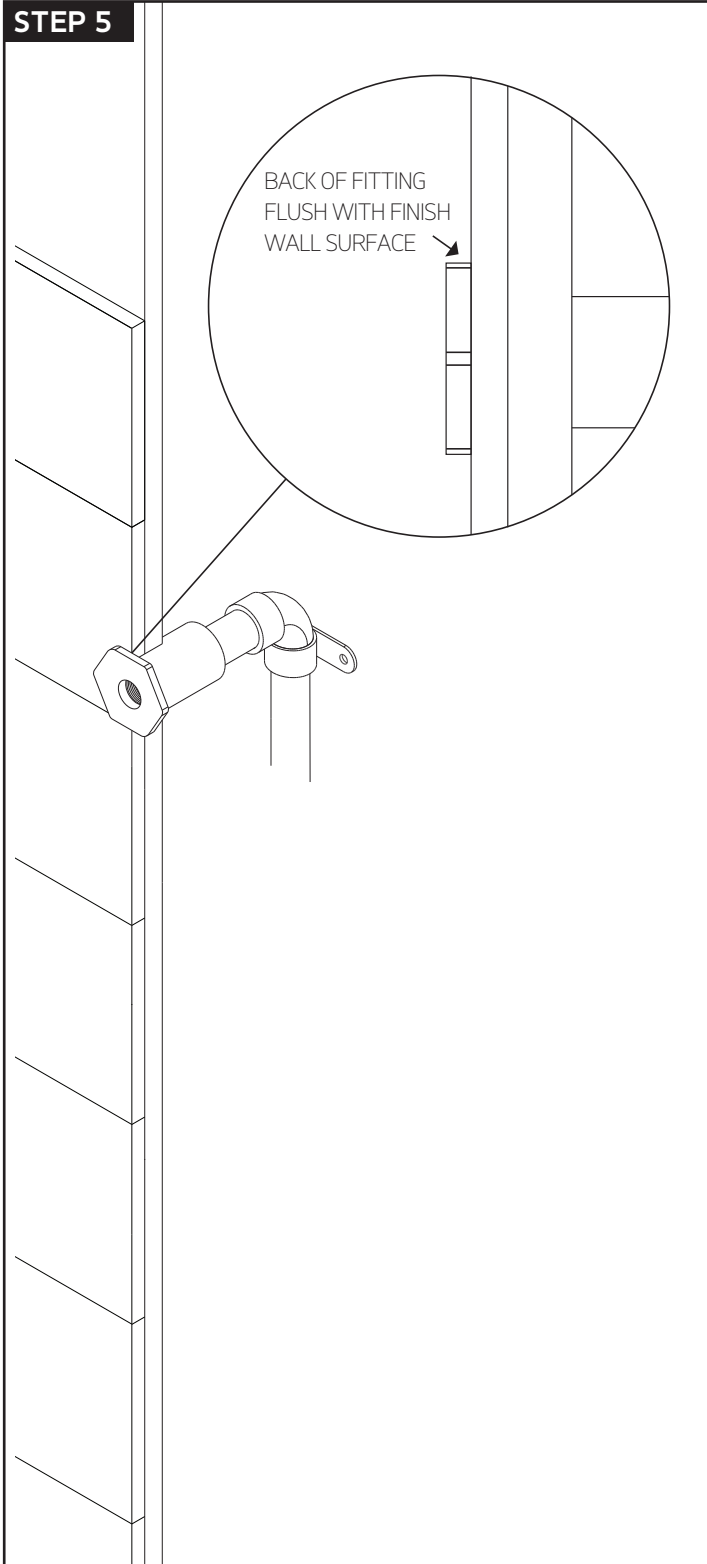
STEP 3



STEP 4



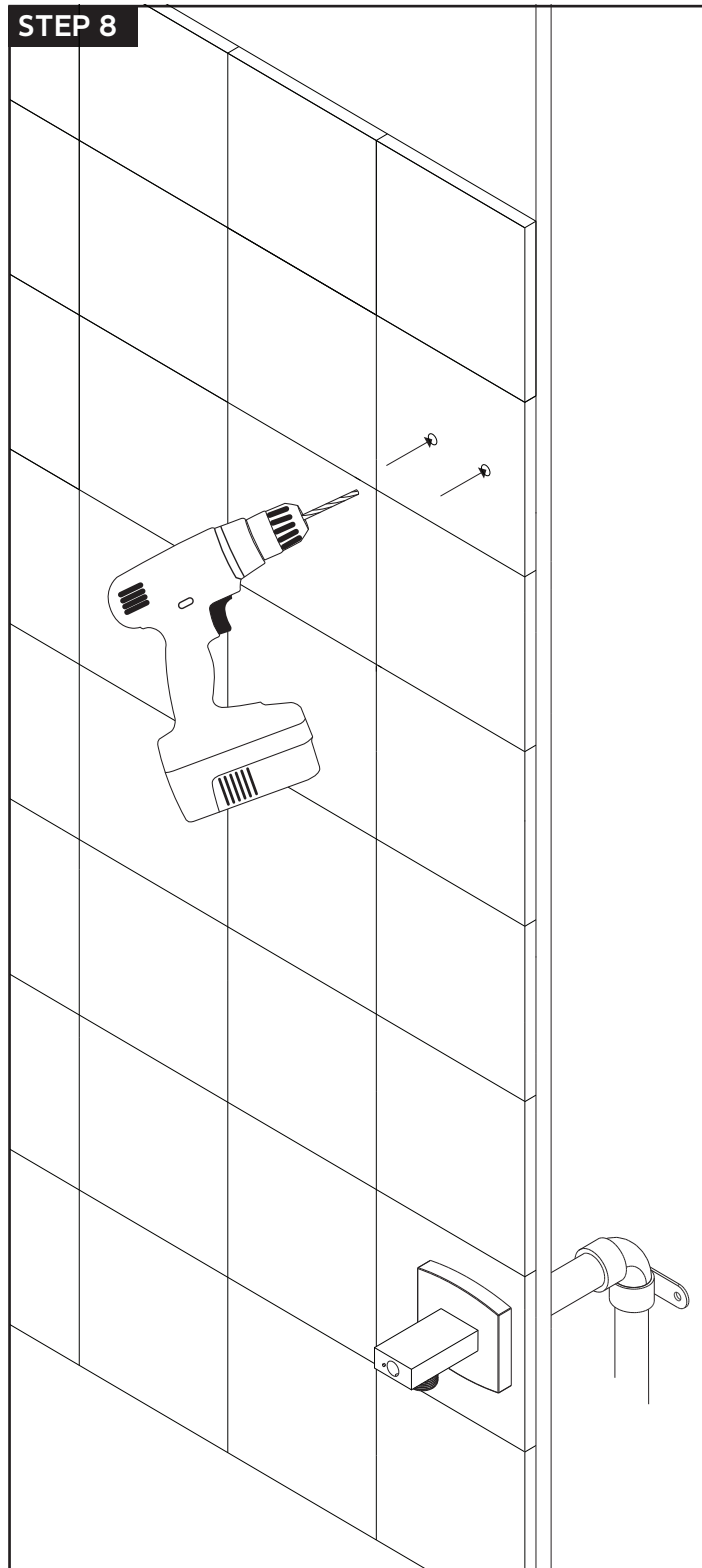
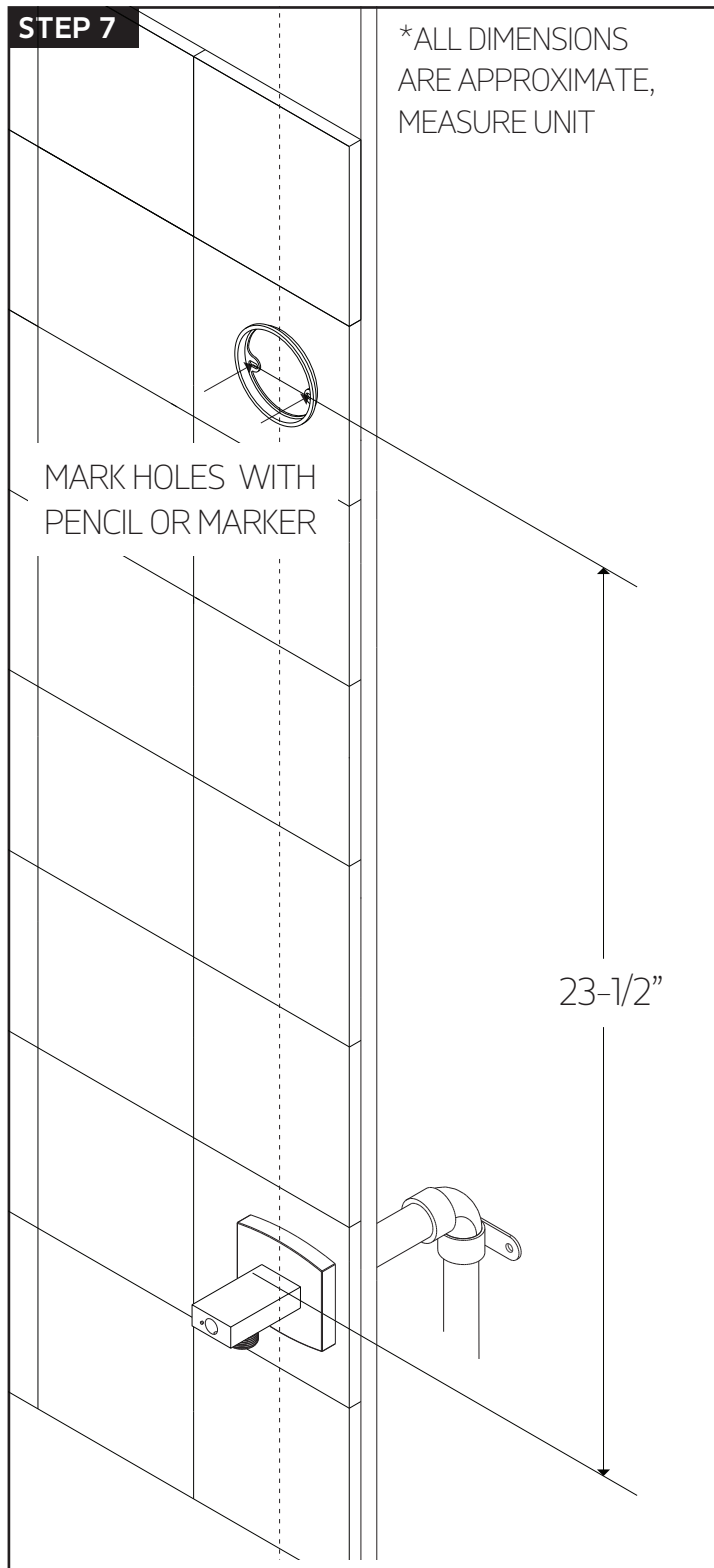
INSTALLATION STEPS



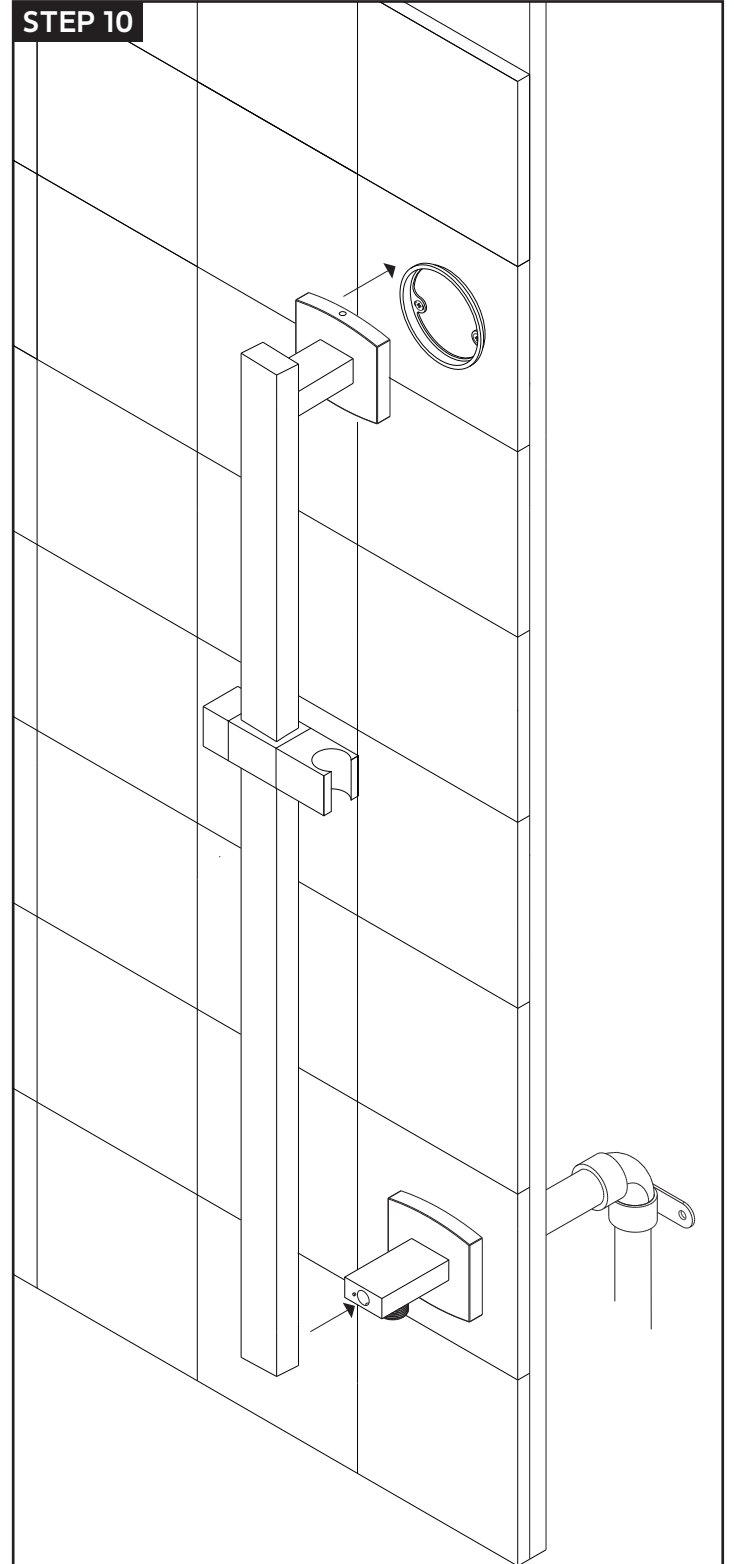
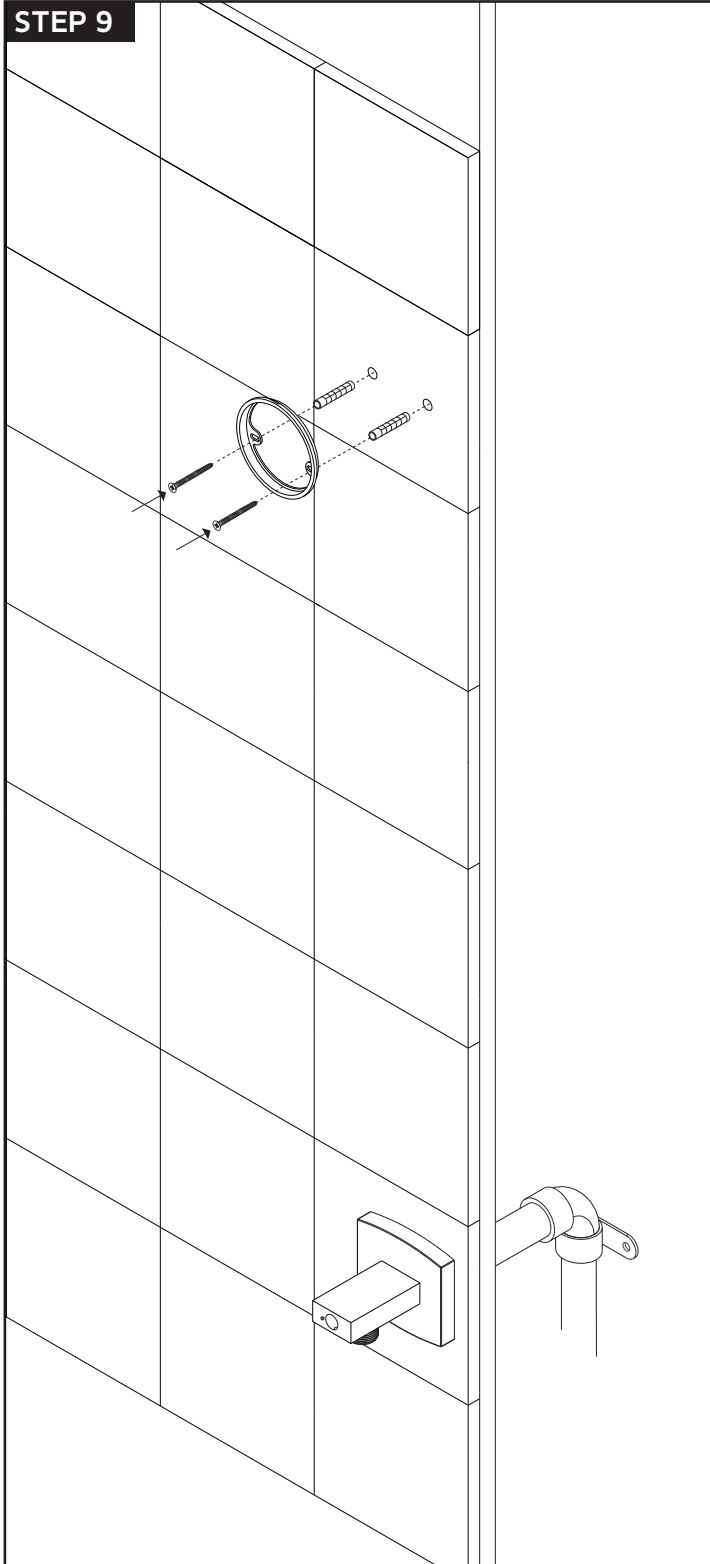
artos[®]

PS137

hand shower



INSTALLATION STEPS

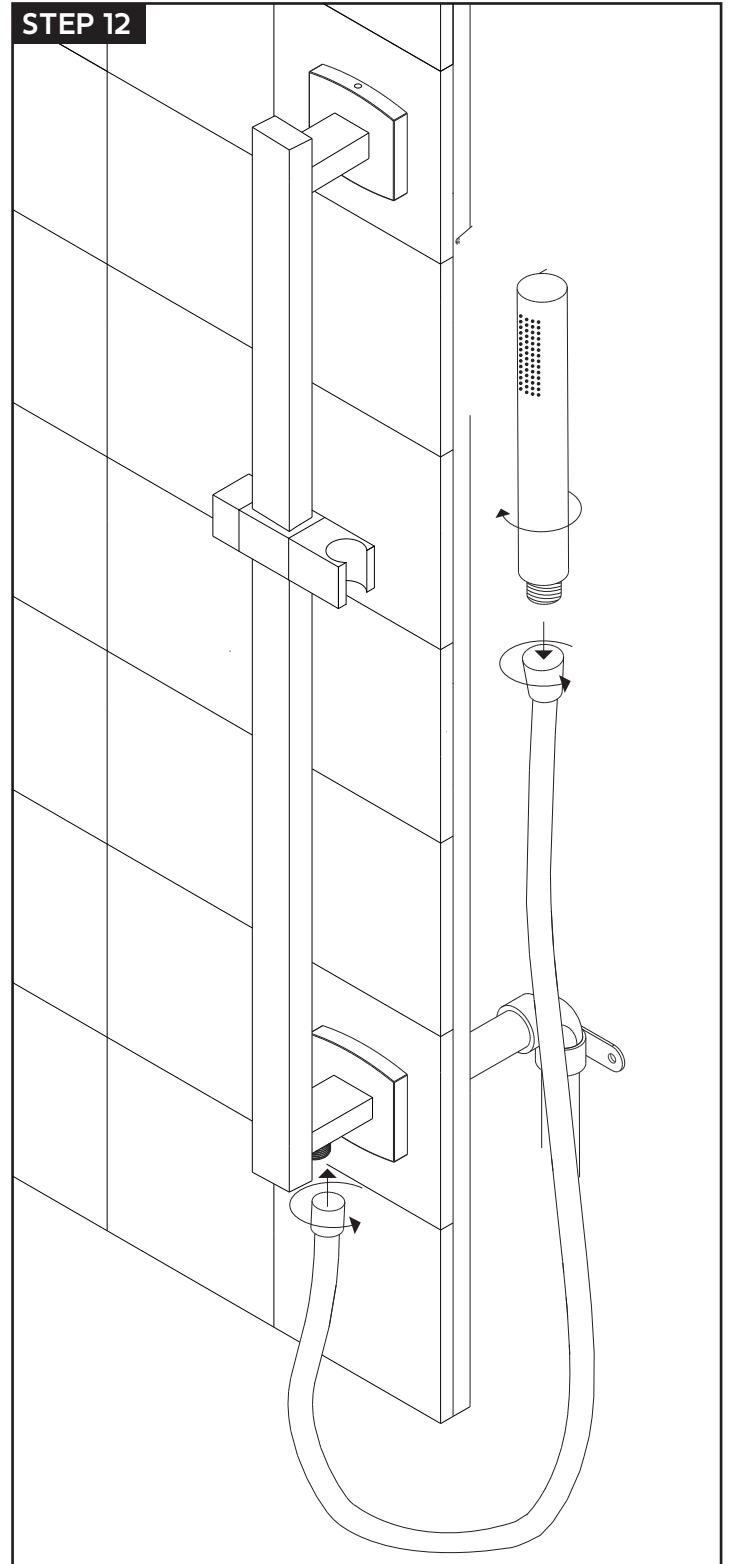
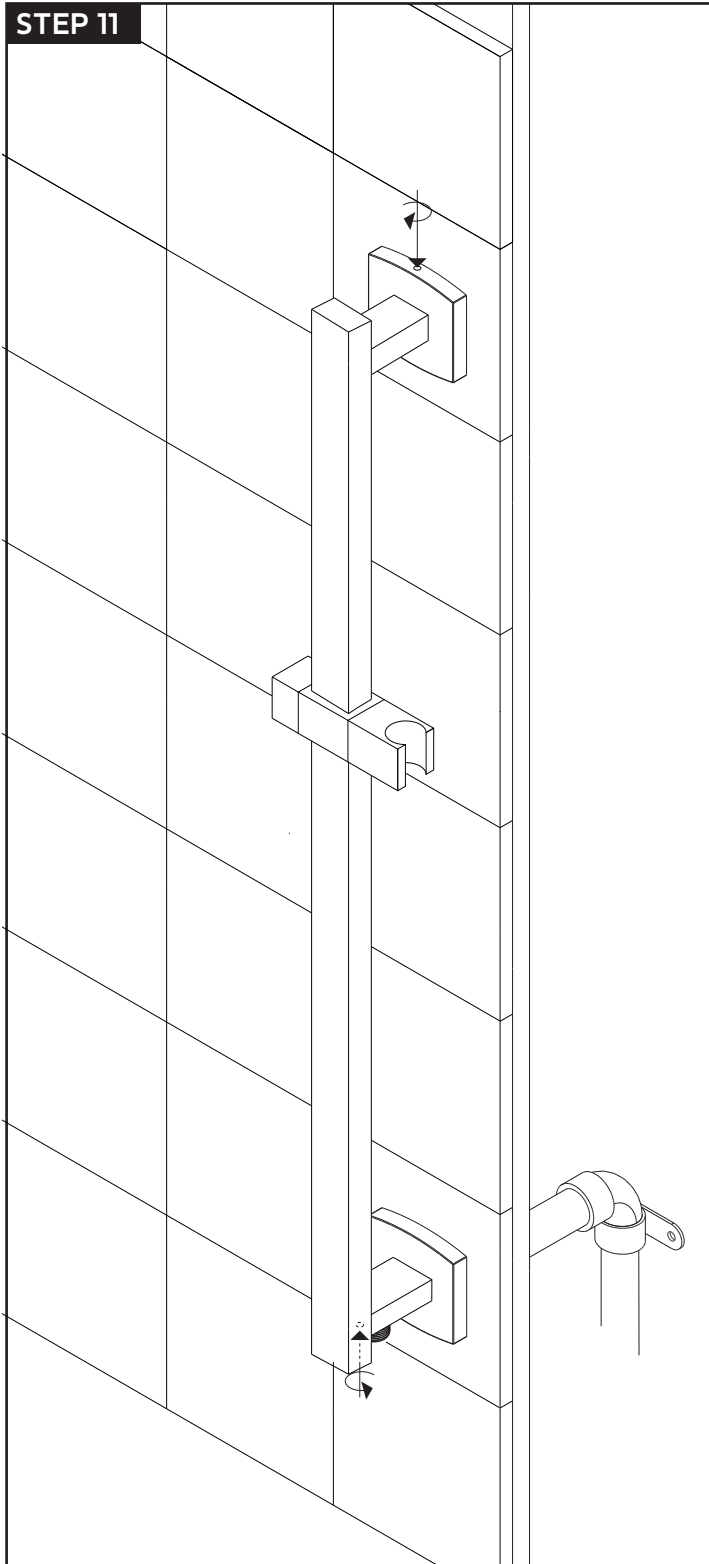


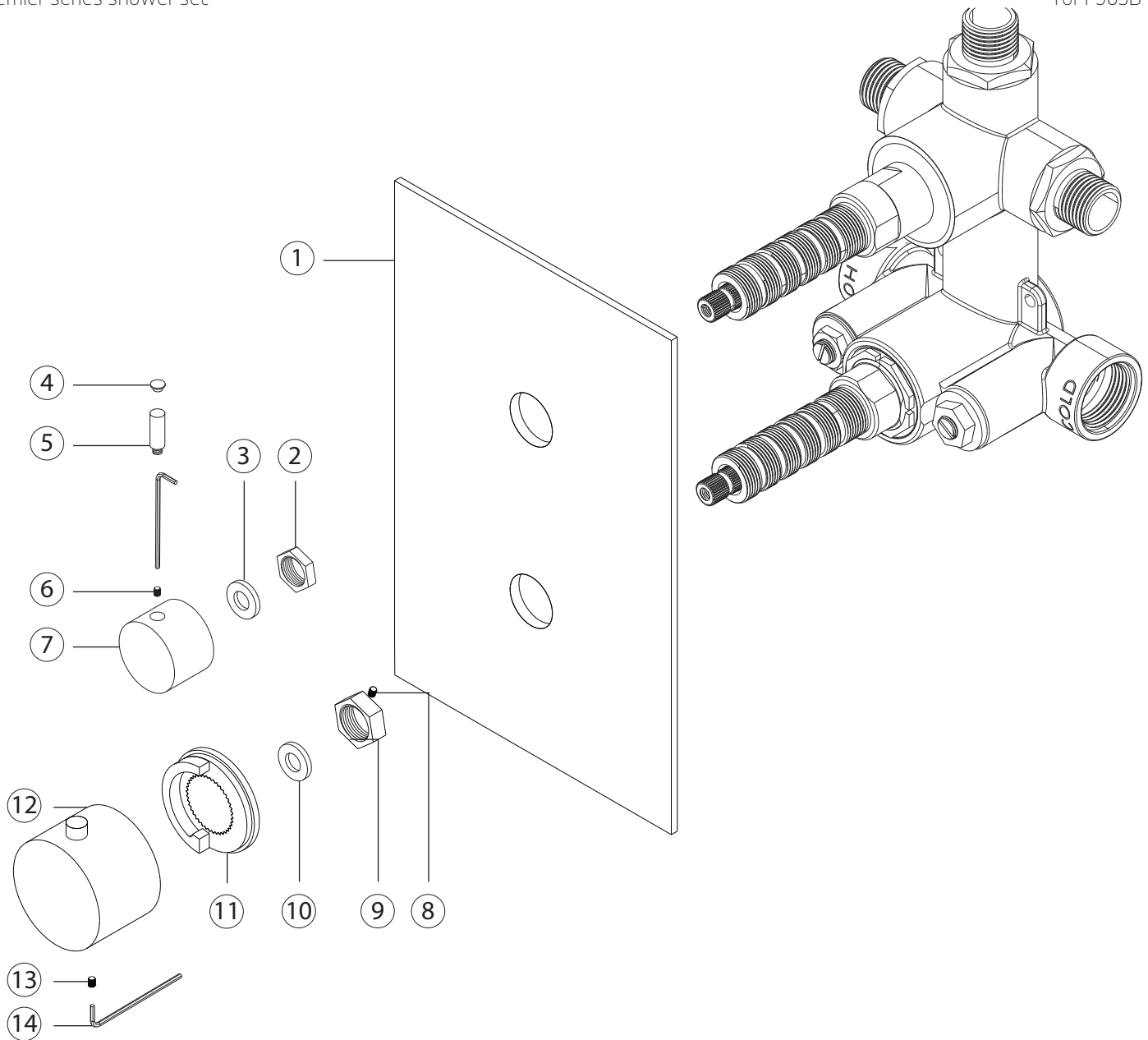
artos[®]

PS137

INSTALLATION STEPS

hand shower





- ① **ESCUTCHEON:** F903A-9P
- ② **DIVERTER LOCKING NUT**
- ③ **NYLON WASHER**
- ④ **HANDLE HOLE CAP**
- ⑤ **DIVERTER HANDLE LEVER**
- ⑥ **DIVERTER SET SCREW**
- ⑦ **DIVERTER HANDLE:** F903A-12H

- ⑧ **LOCKING NUT SET SCREW**
- ⑨ **THERMOSTAT LOCKING NUT**
- ⑩ **NYLON WASHER**
- ⑪ **TEMPERATURE LIMITING RING**
- ⑫ **THERMOSTAT HANDLE:** F904A-1H
- ⑬ **THERMOSTAT SET SCREW**
- ⑭ **ALLEN WRENCH**

