

artos®

PS136

INSTALLATION GUIDE

premier series shower set

BRUSHED NICKEL(BN)



CHROME(CH)



BLACK (BK)



artos[®]

PS136

premier series shower set

OPERATING SPECIFICATIONS



FEATURES

Solid Brass
2-Outlets
Multi-function Hand Shower

INCLUDES

F903B-58TK
F907-28
F907-60



OPERATING PRESSURE

Minimum: 15 psi
Maximum: 75 psi
Above 90psi it may be necessary to install a pressure reducer

OPERATING TEMPERATURE

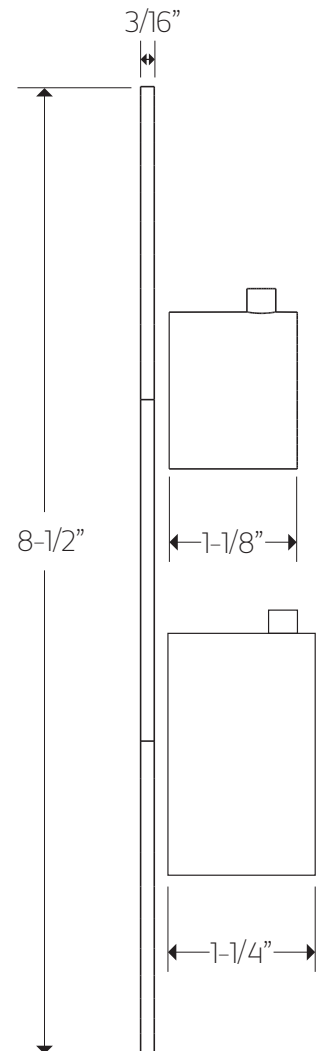
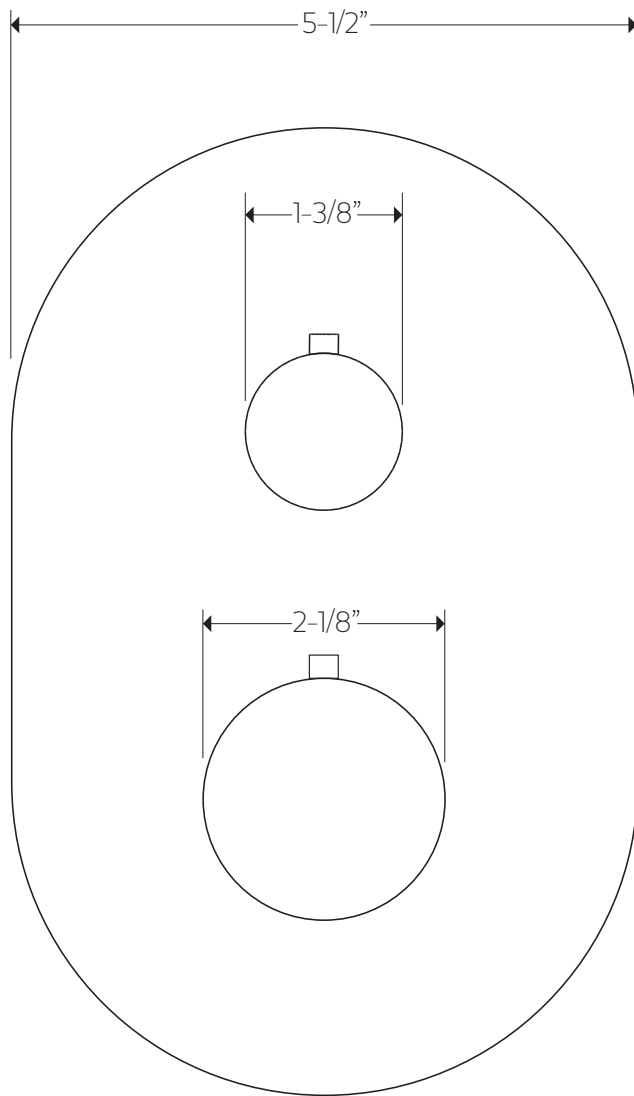
Maximum: 176°

FLOW CAPACITY

Hand Shower: 1.8 USGPM
Shower Head: 1.8 USGPM

F901-8 APPROVAL





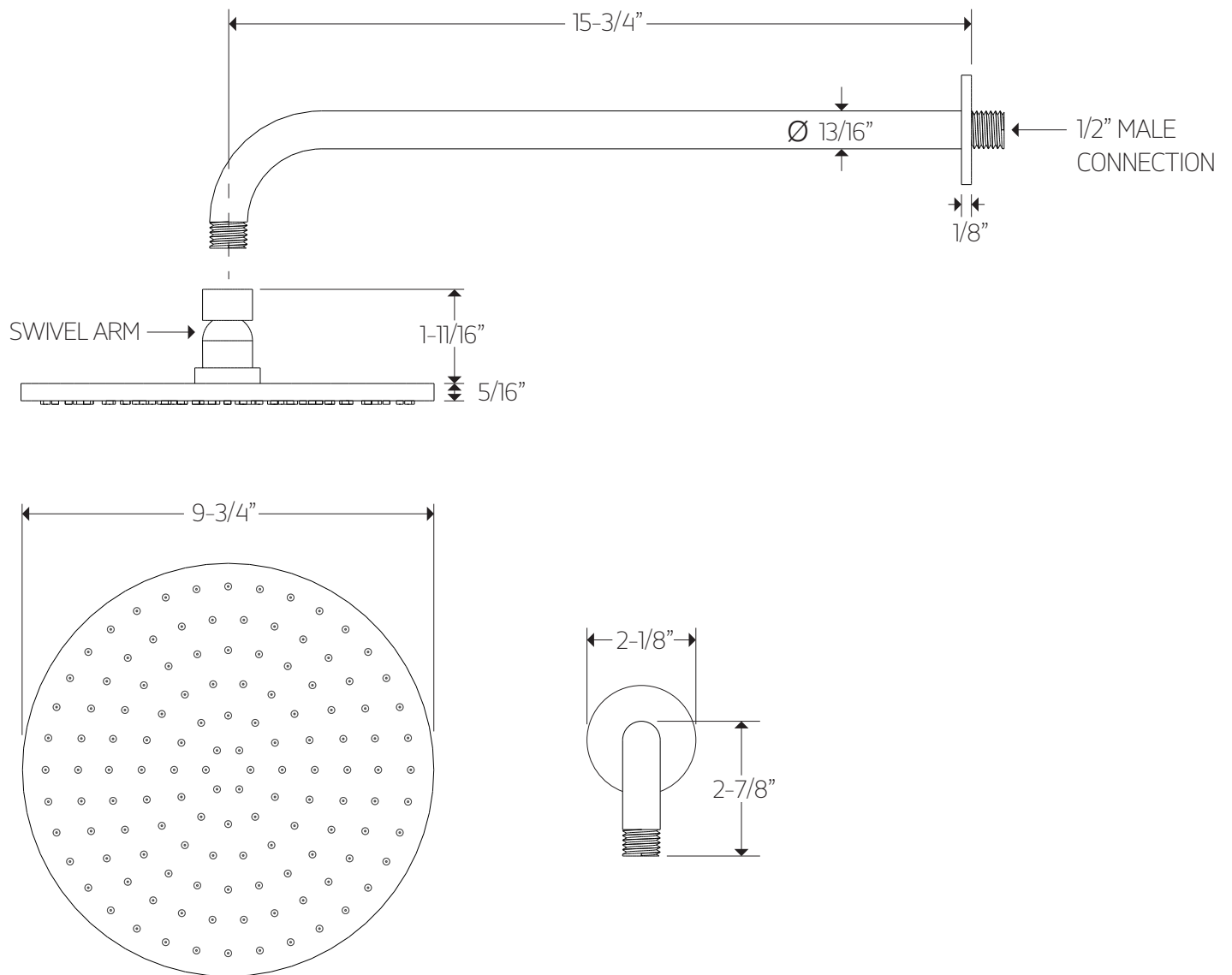
artos[®]

PS136

PRODUCT DIMENSIONS

premier series shower set

for shower head



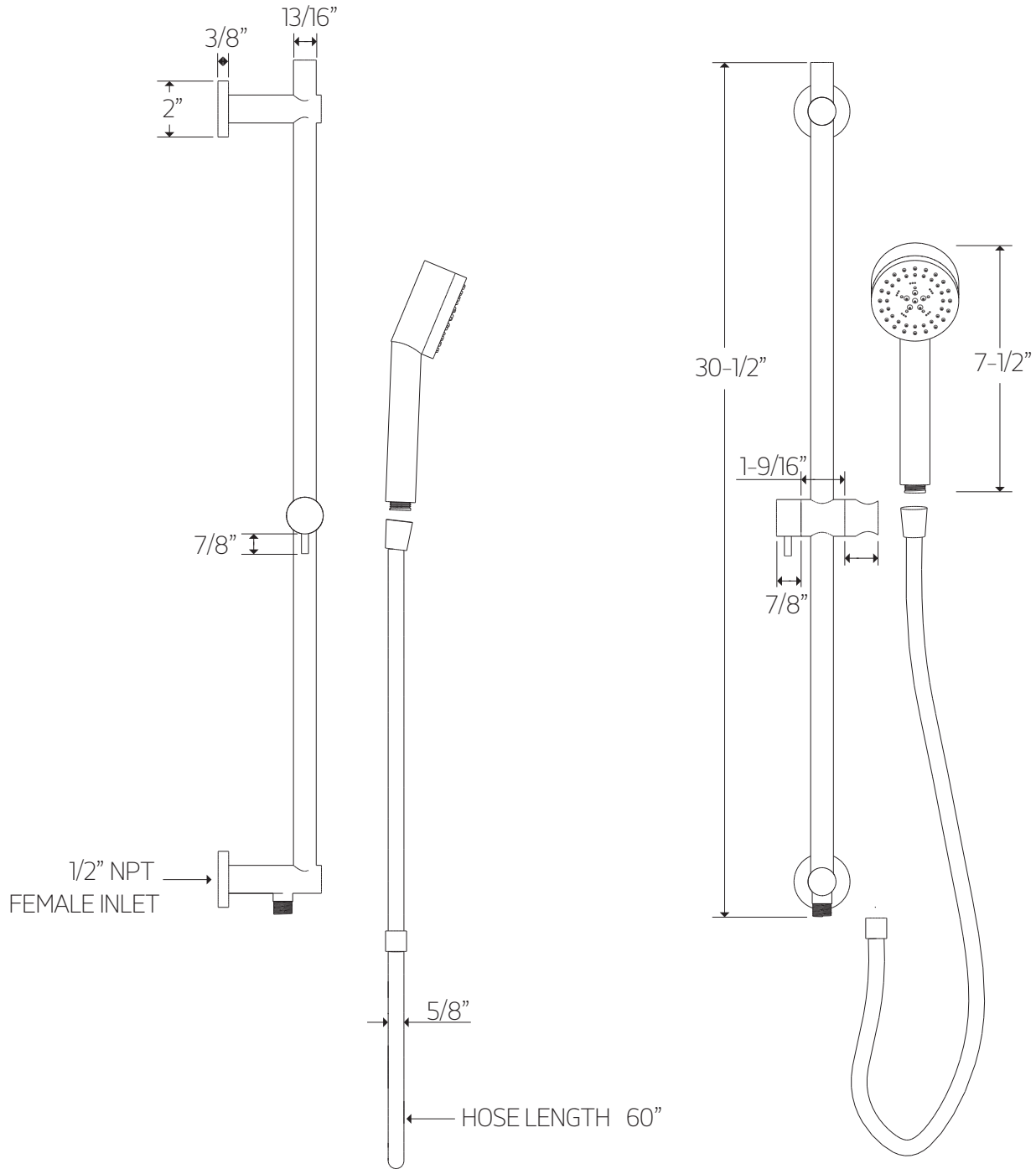
artos[®]

PS136

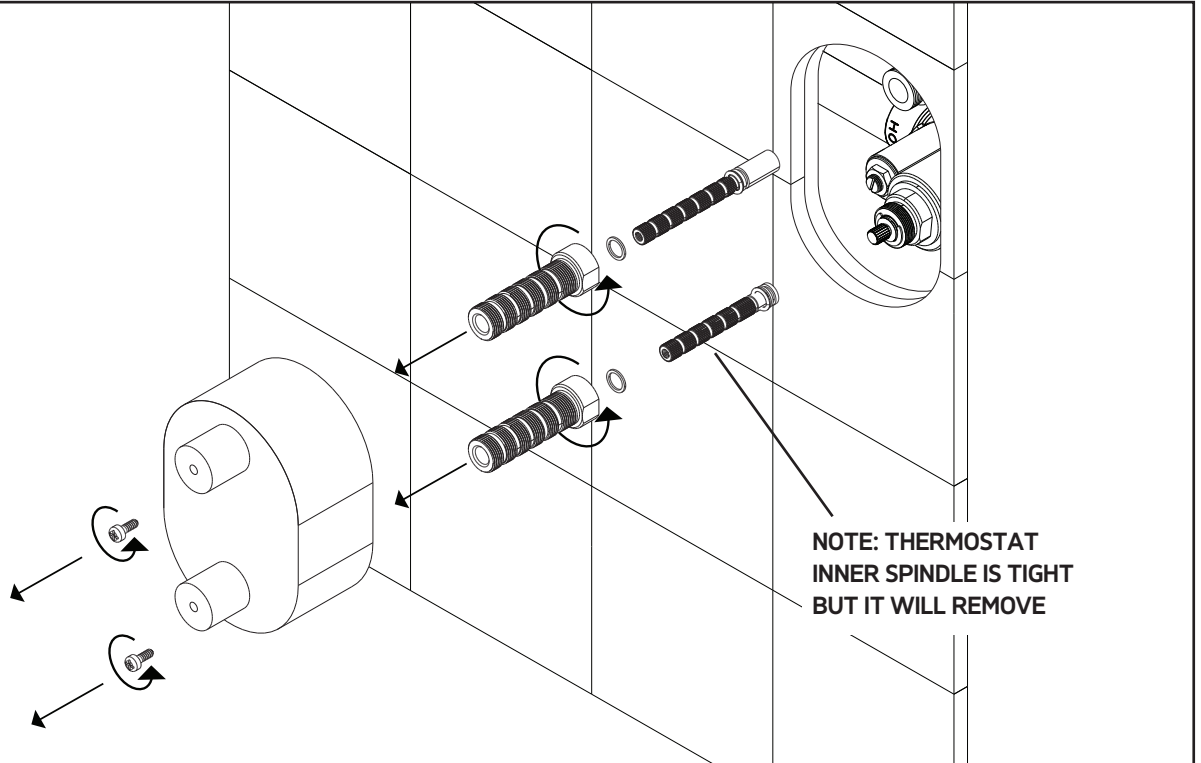
PRODUCT DIMENSIONS

premier series shower set

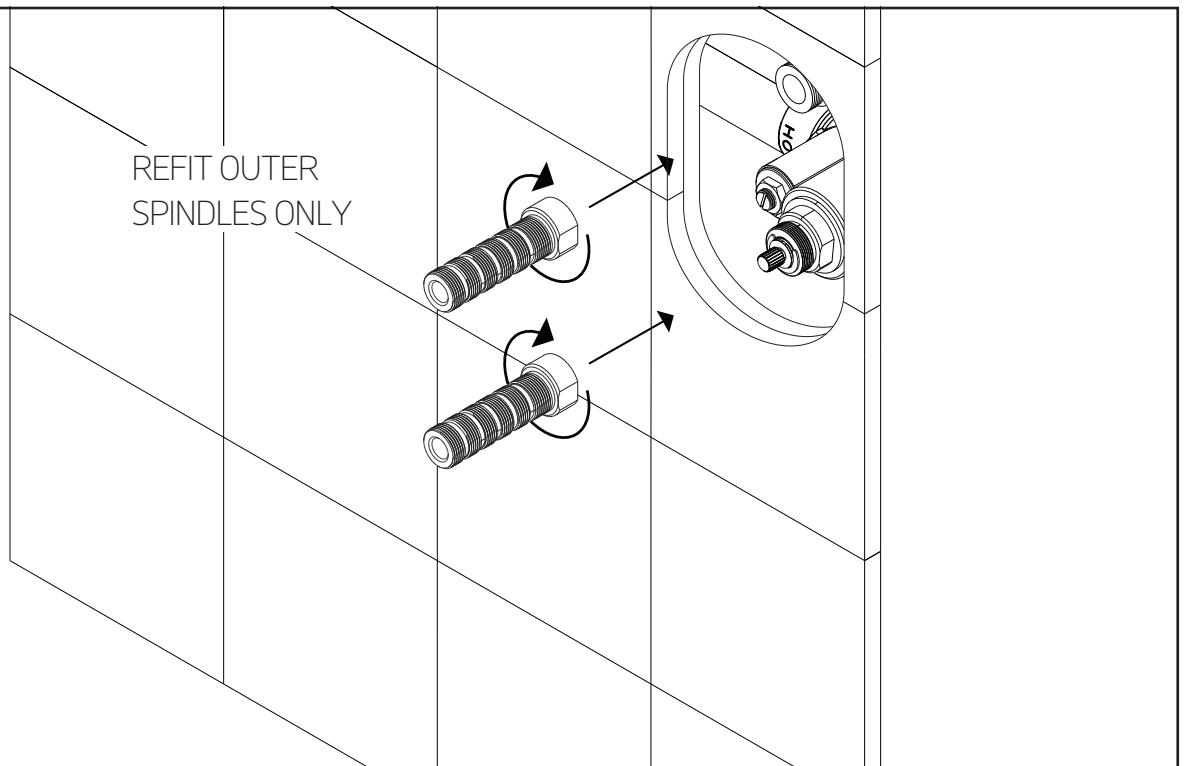
for hand shower



STEP 1

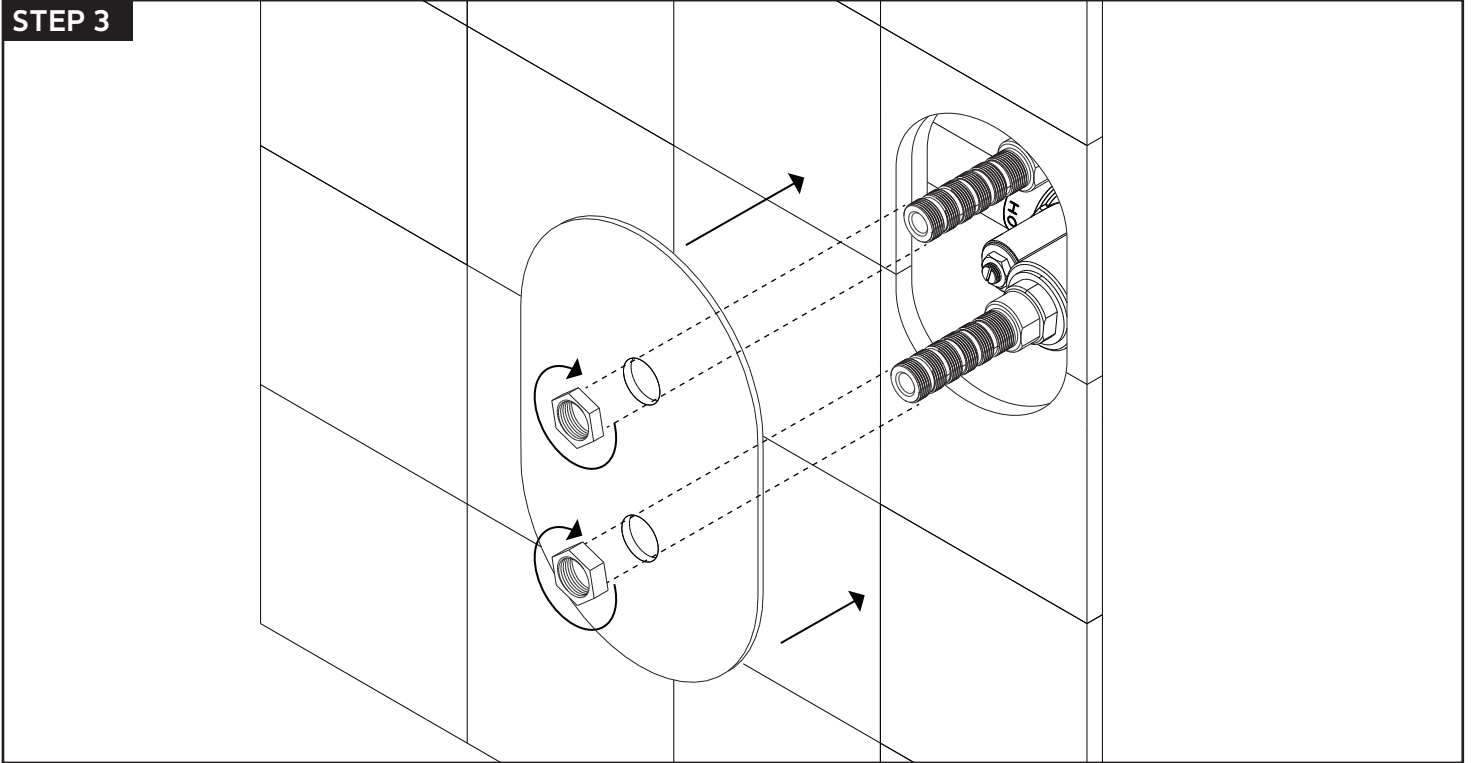


STEP 2

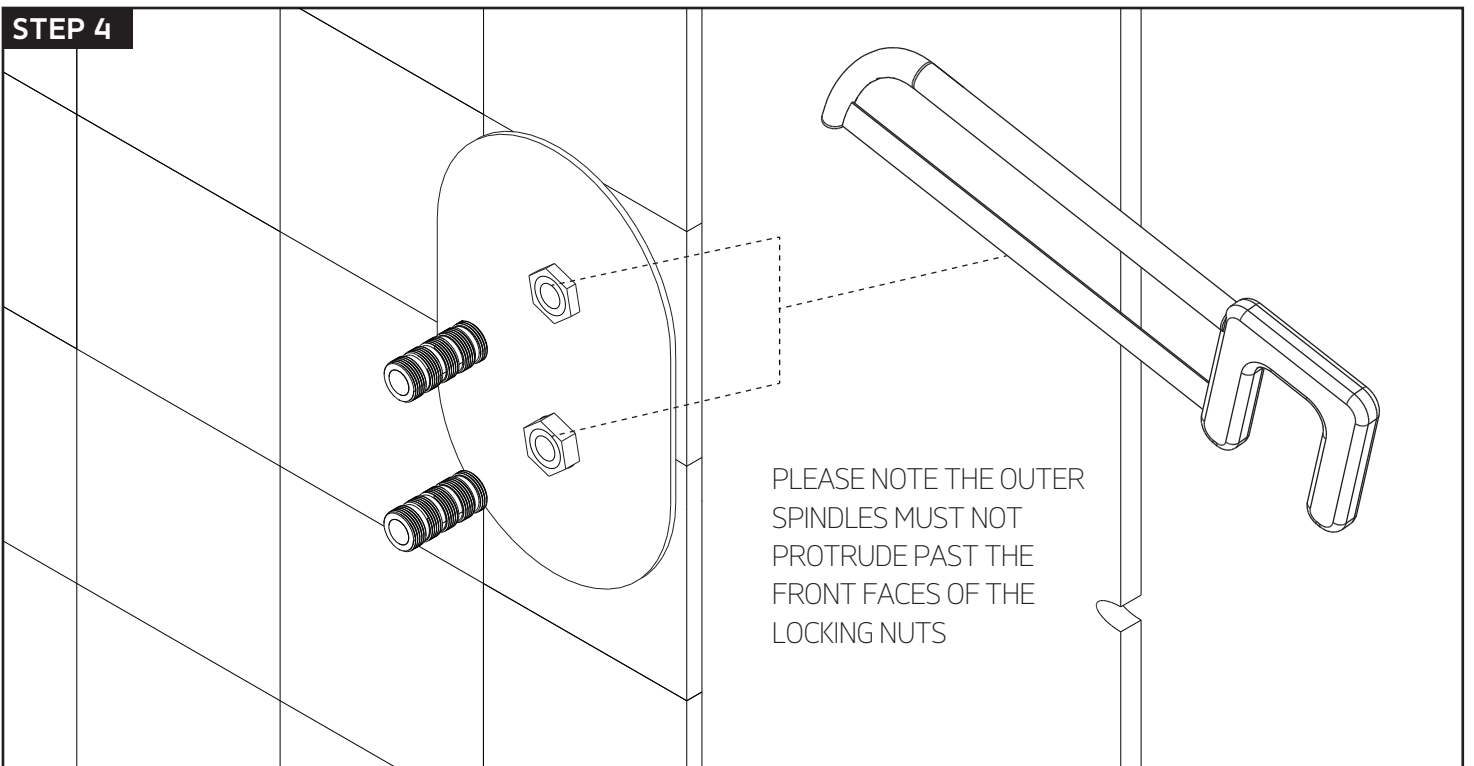


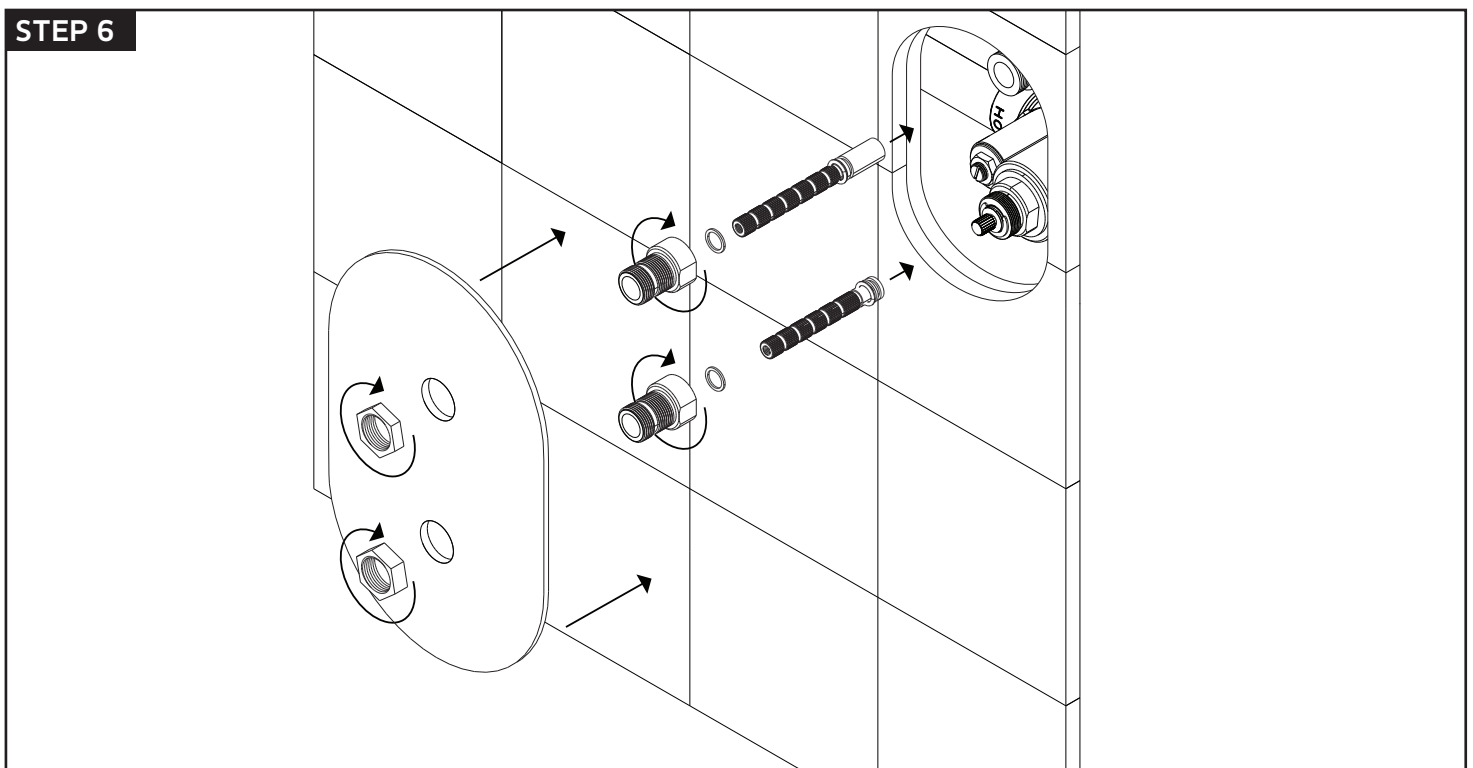
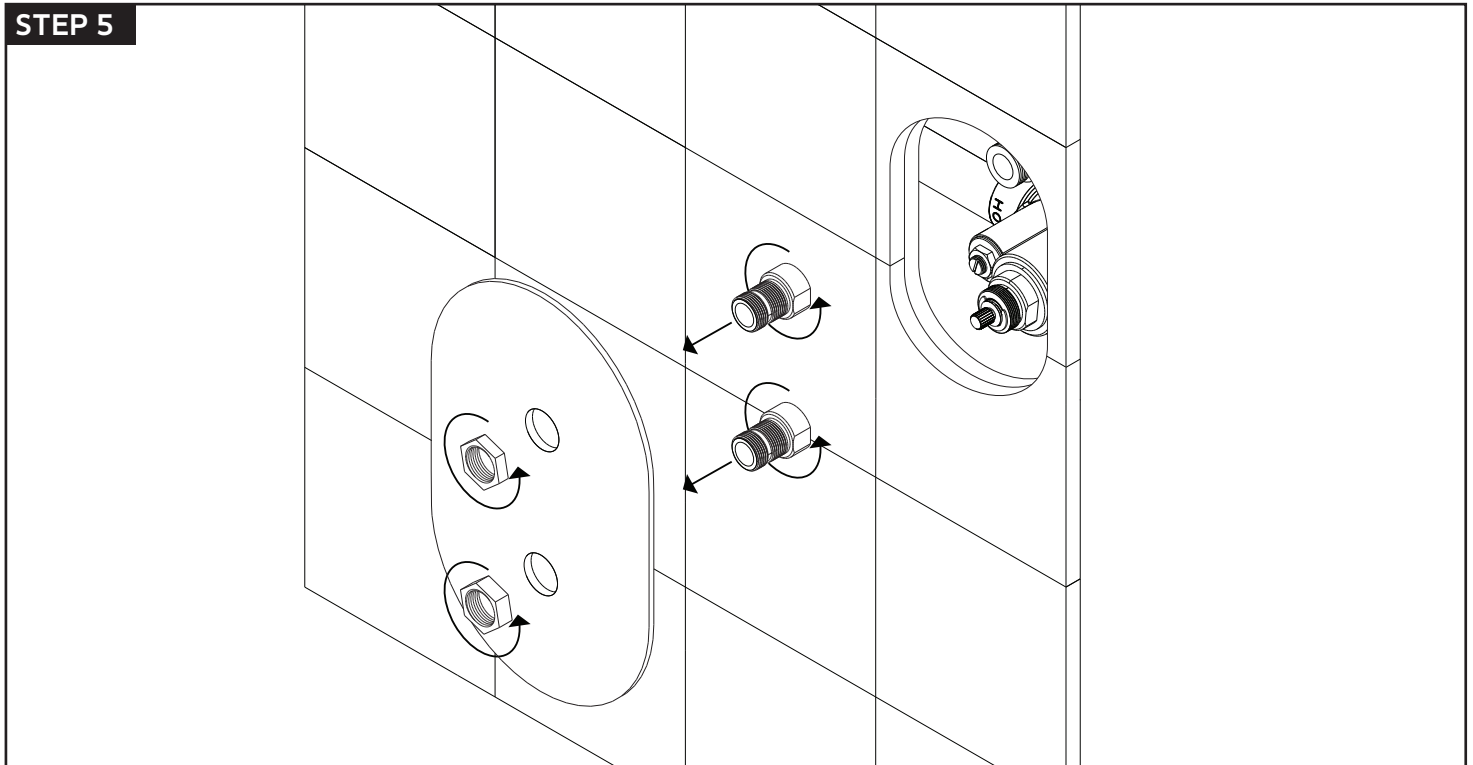
INSTALLATION STEPS

STEP 3



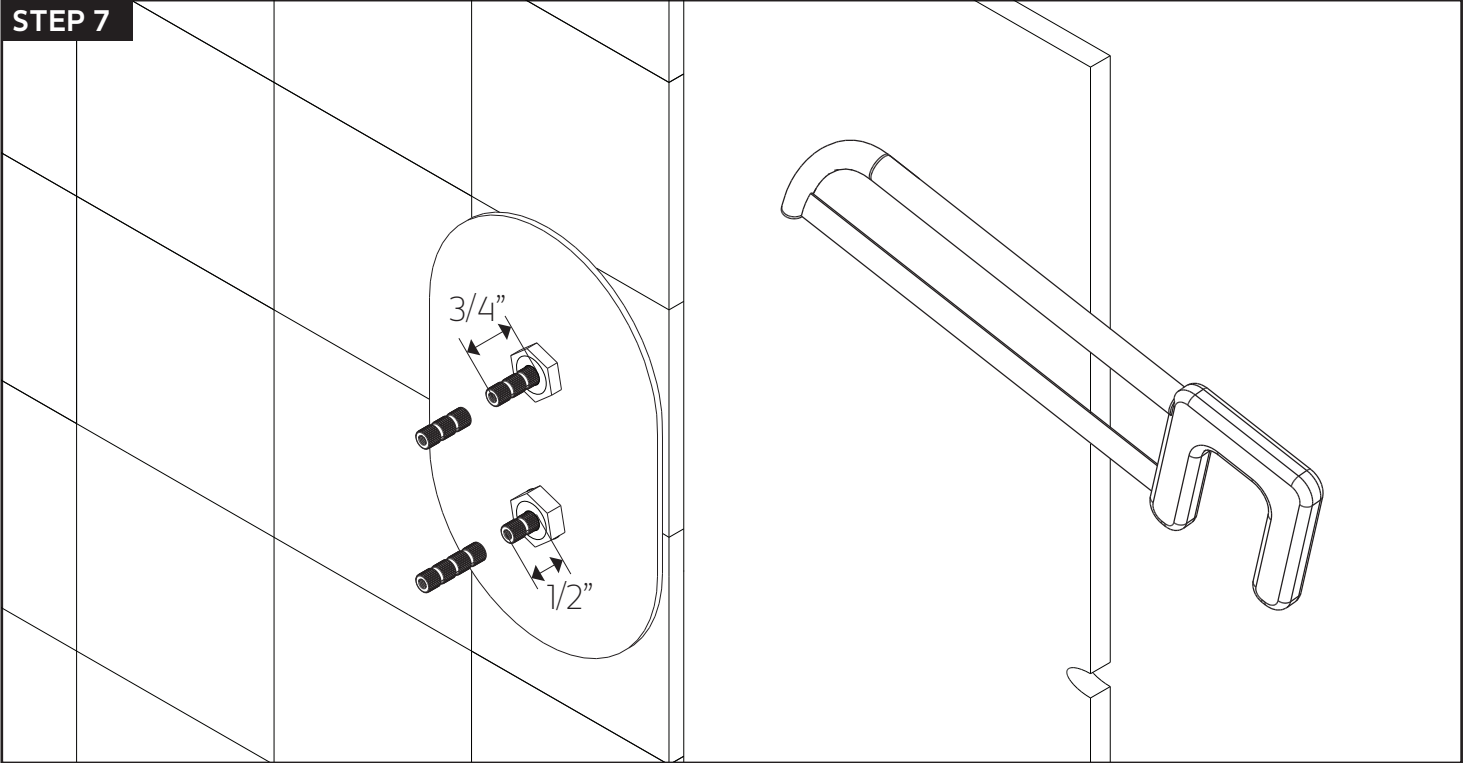
STEP 4



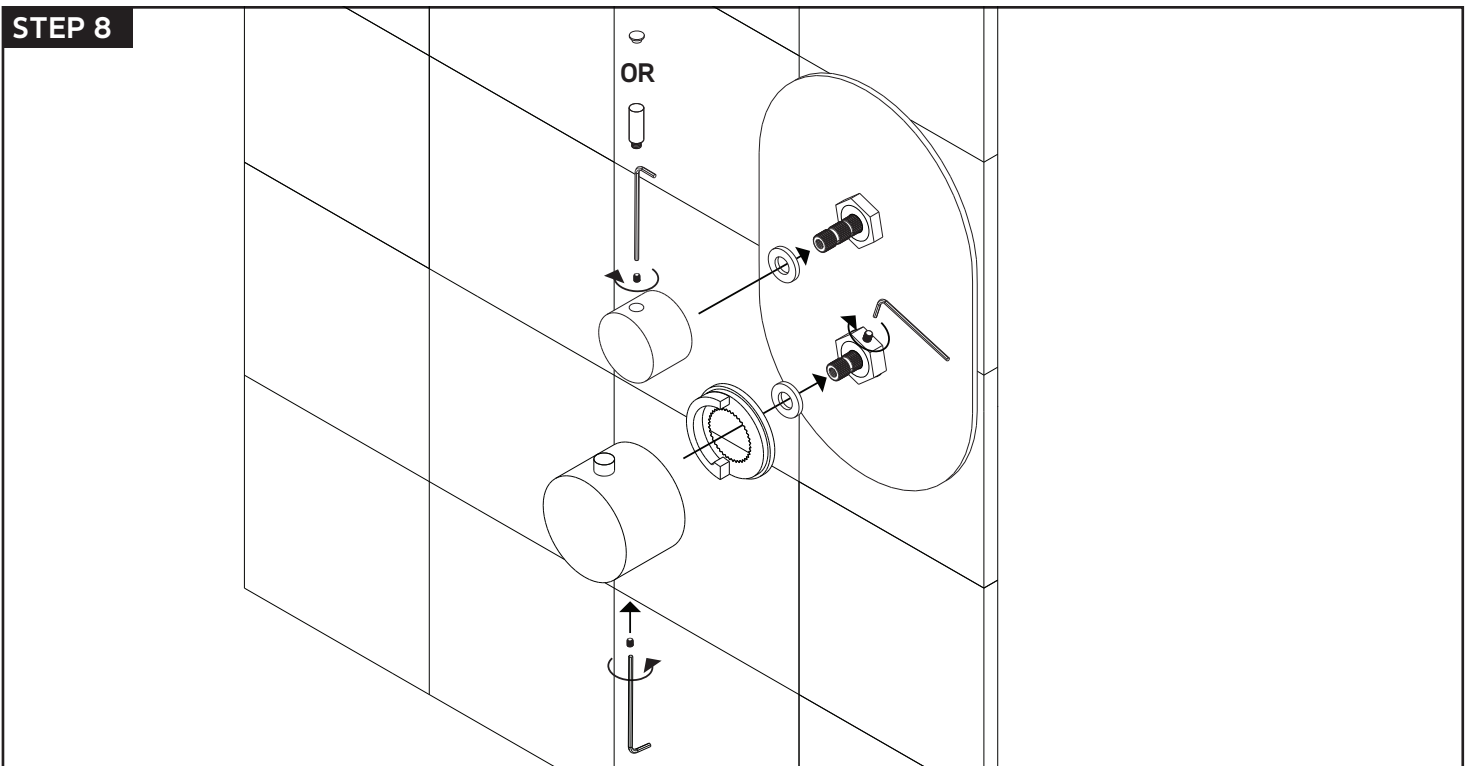


INSTALLATION STEPS

STEP 7



STEP 8

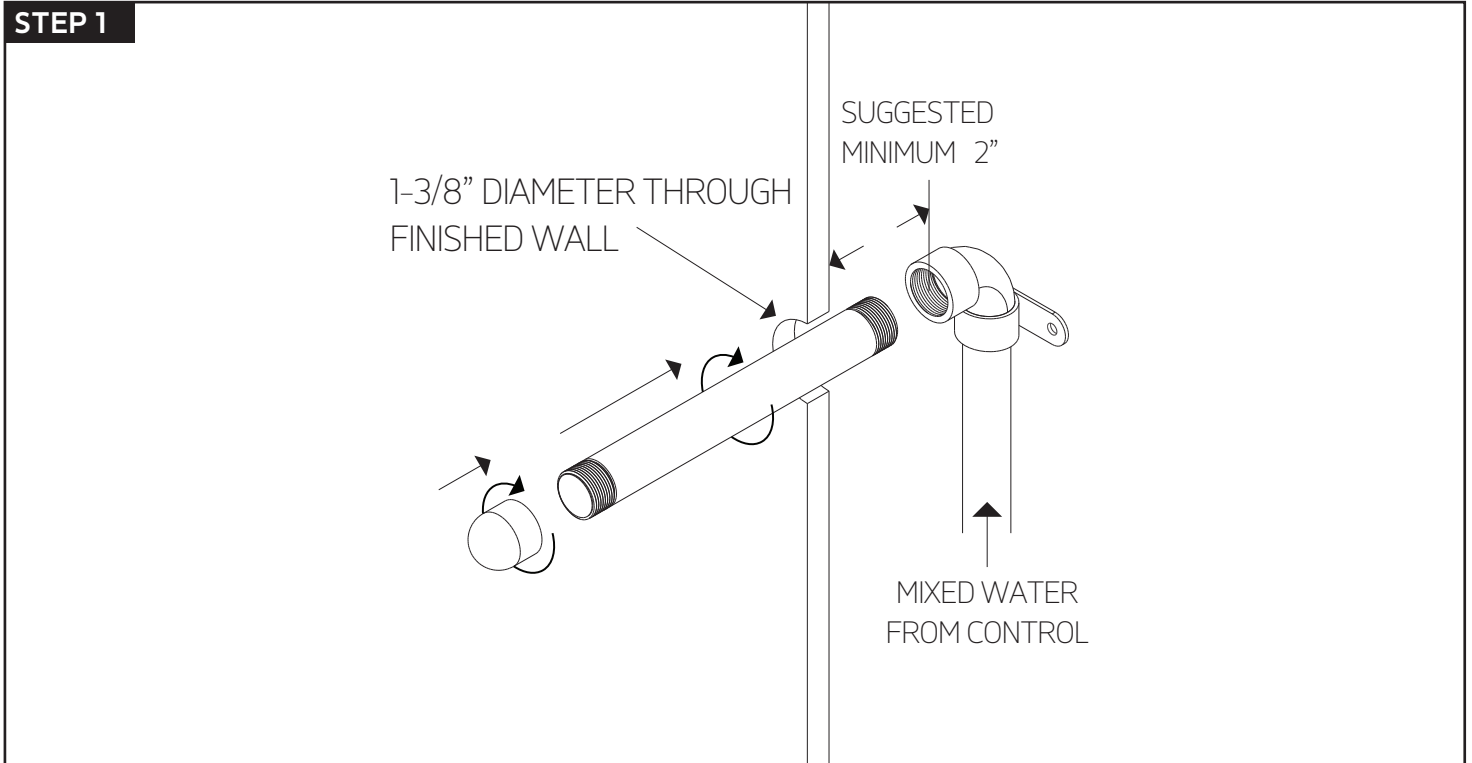


artos[®]

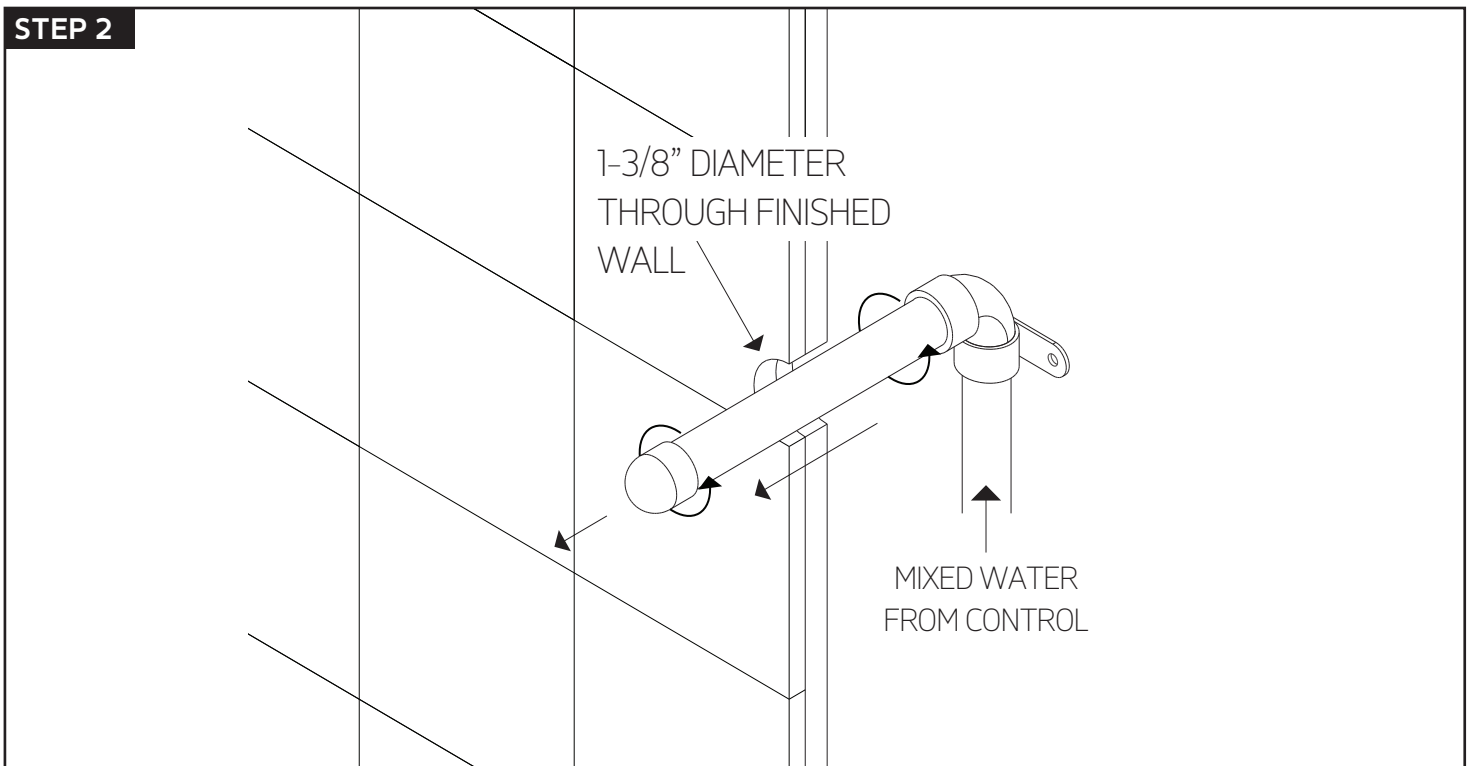
PS136

shower head

STEP 1

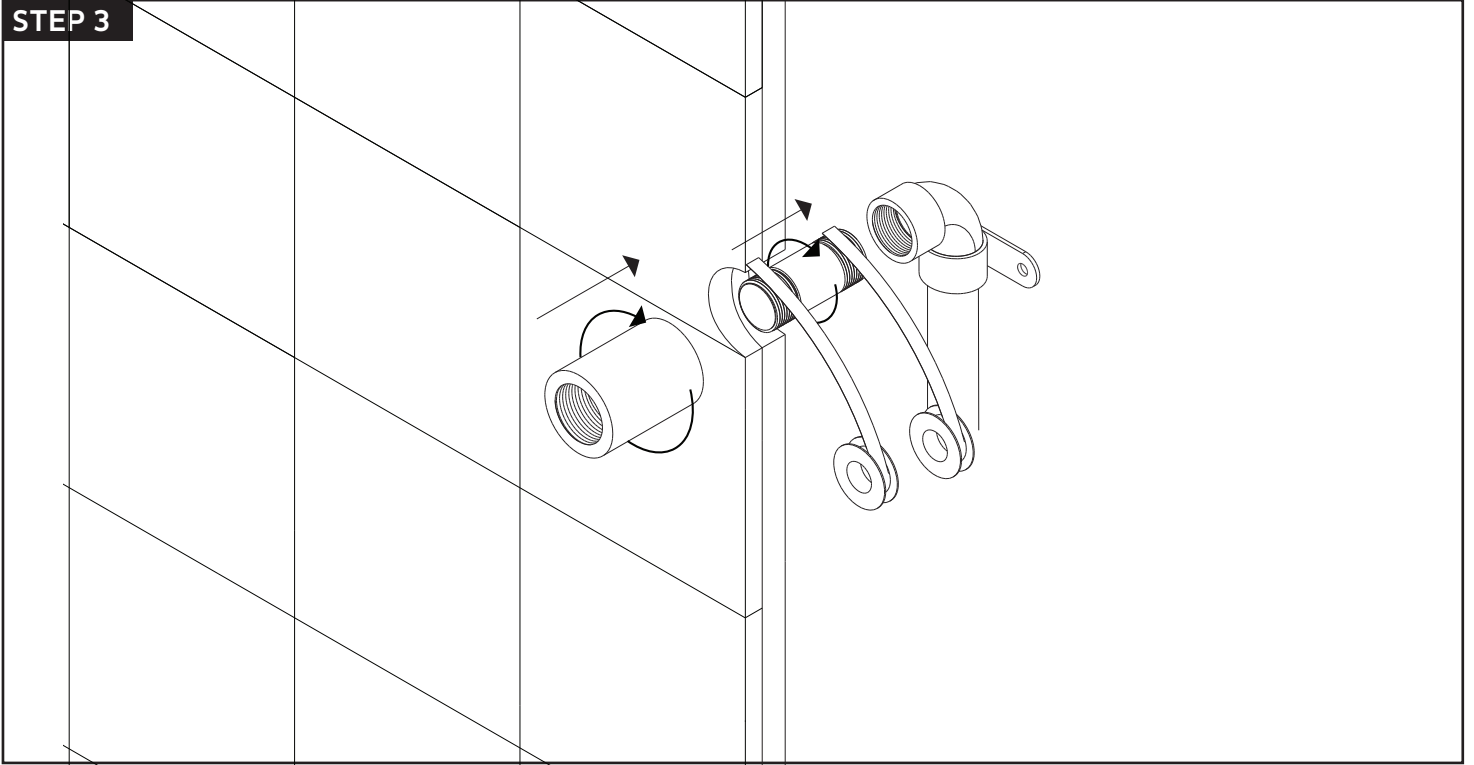


STEP 2

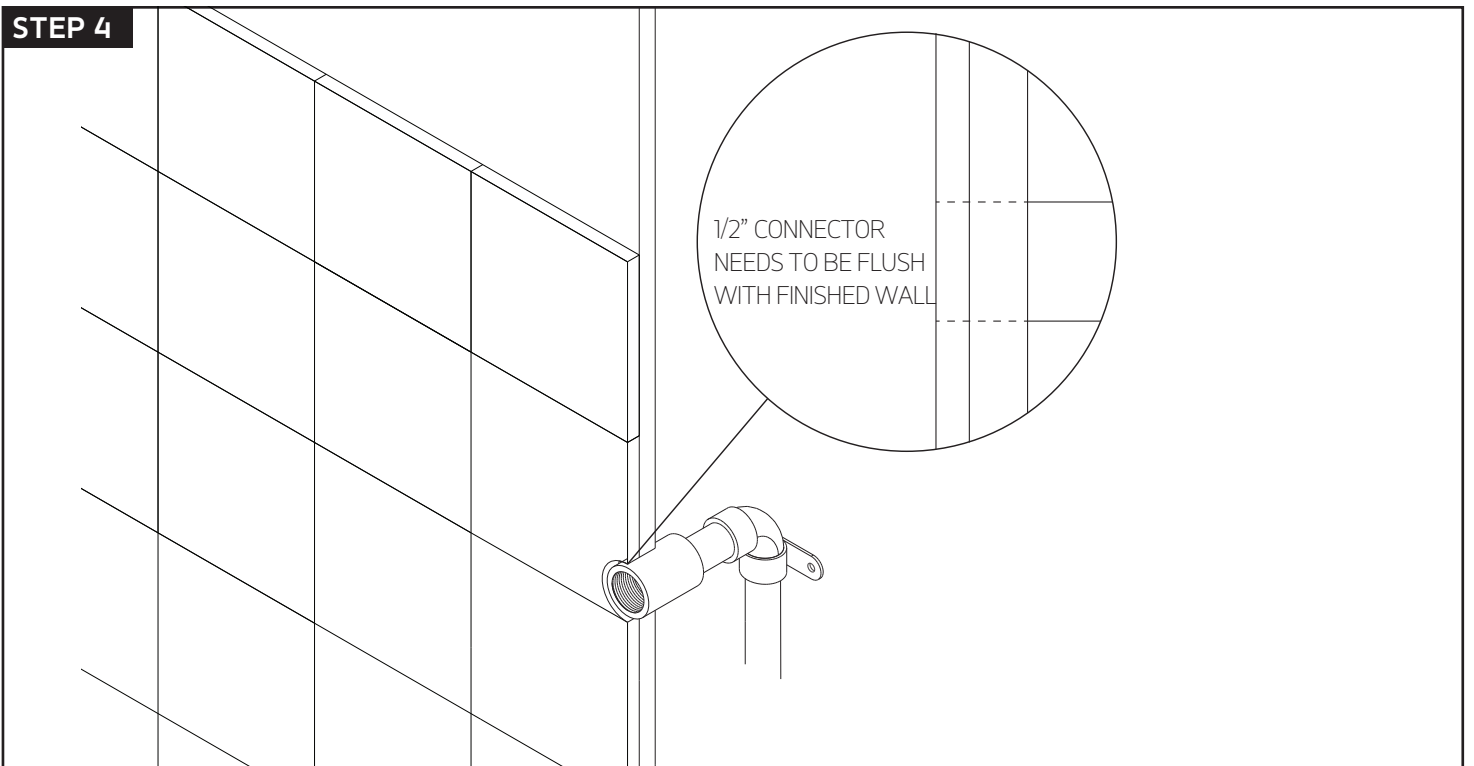


INSTALLATION STEPS

STEP 3



STEP 4

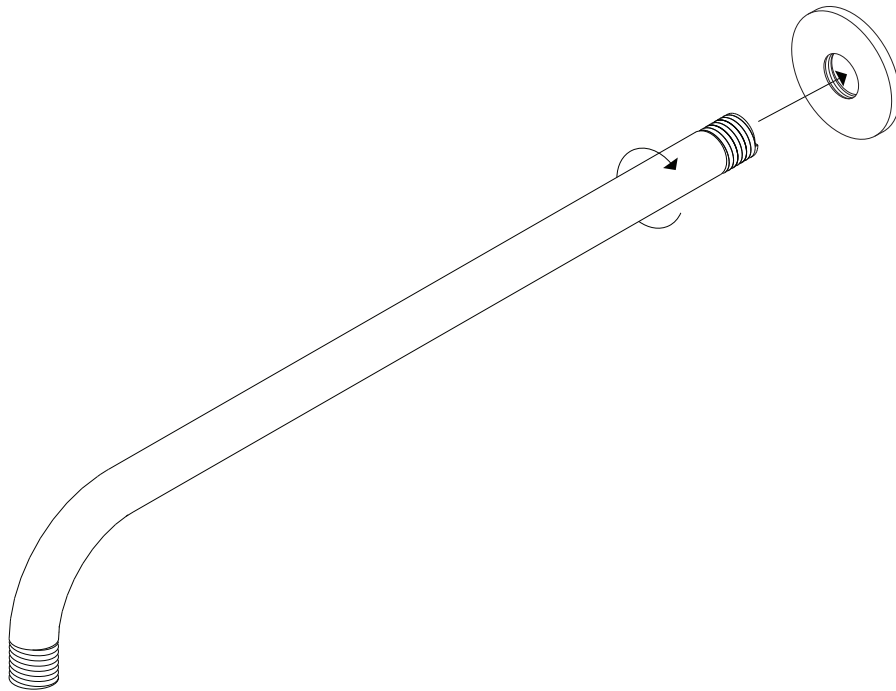


artos[®]

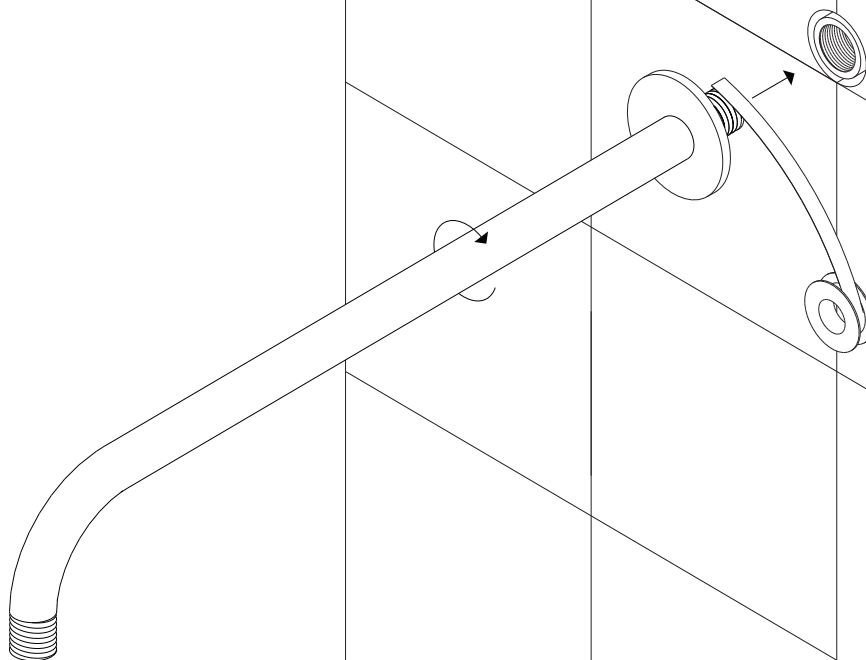
PS136

shower head

STEP 5

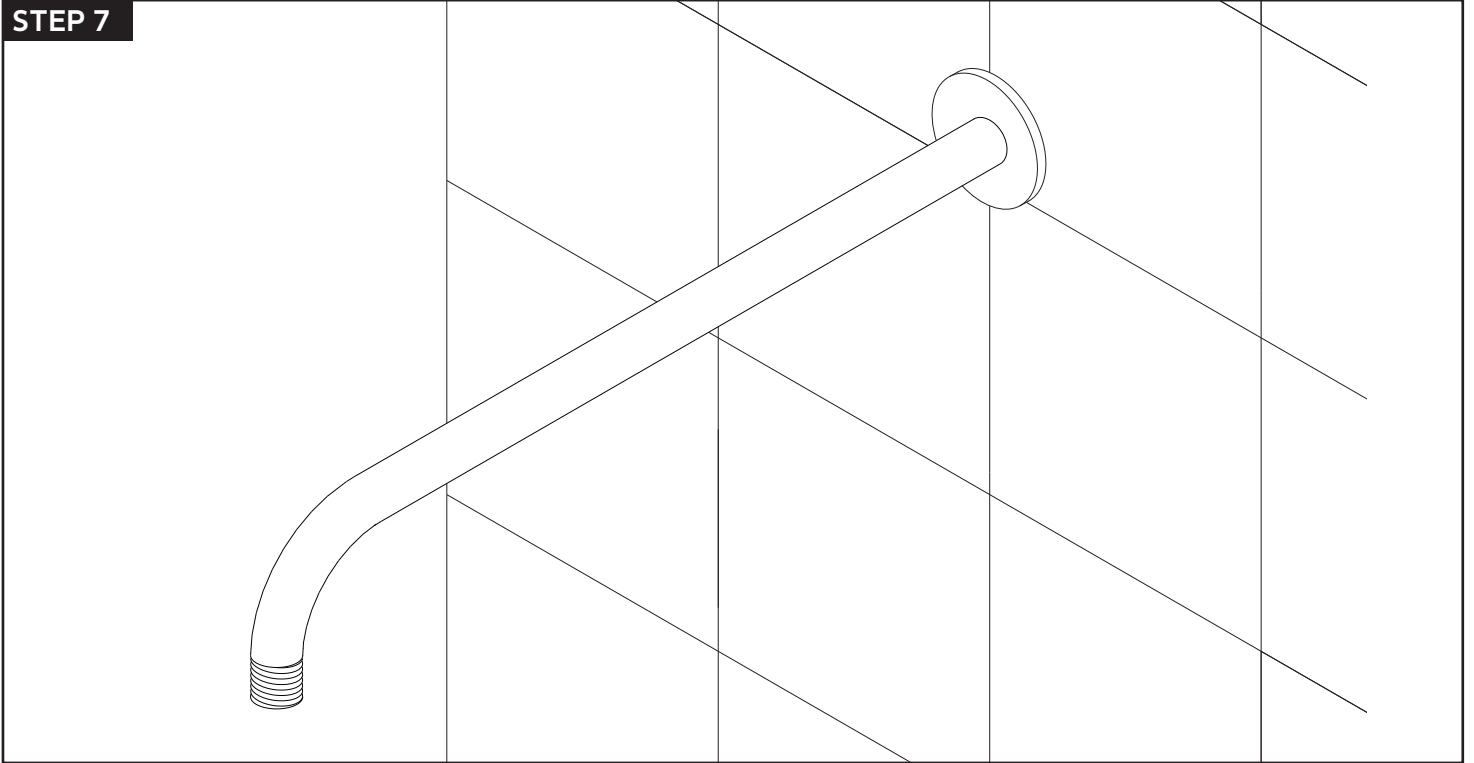


STEP 6

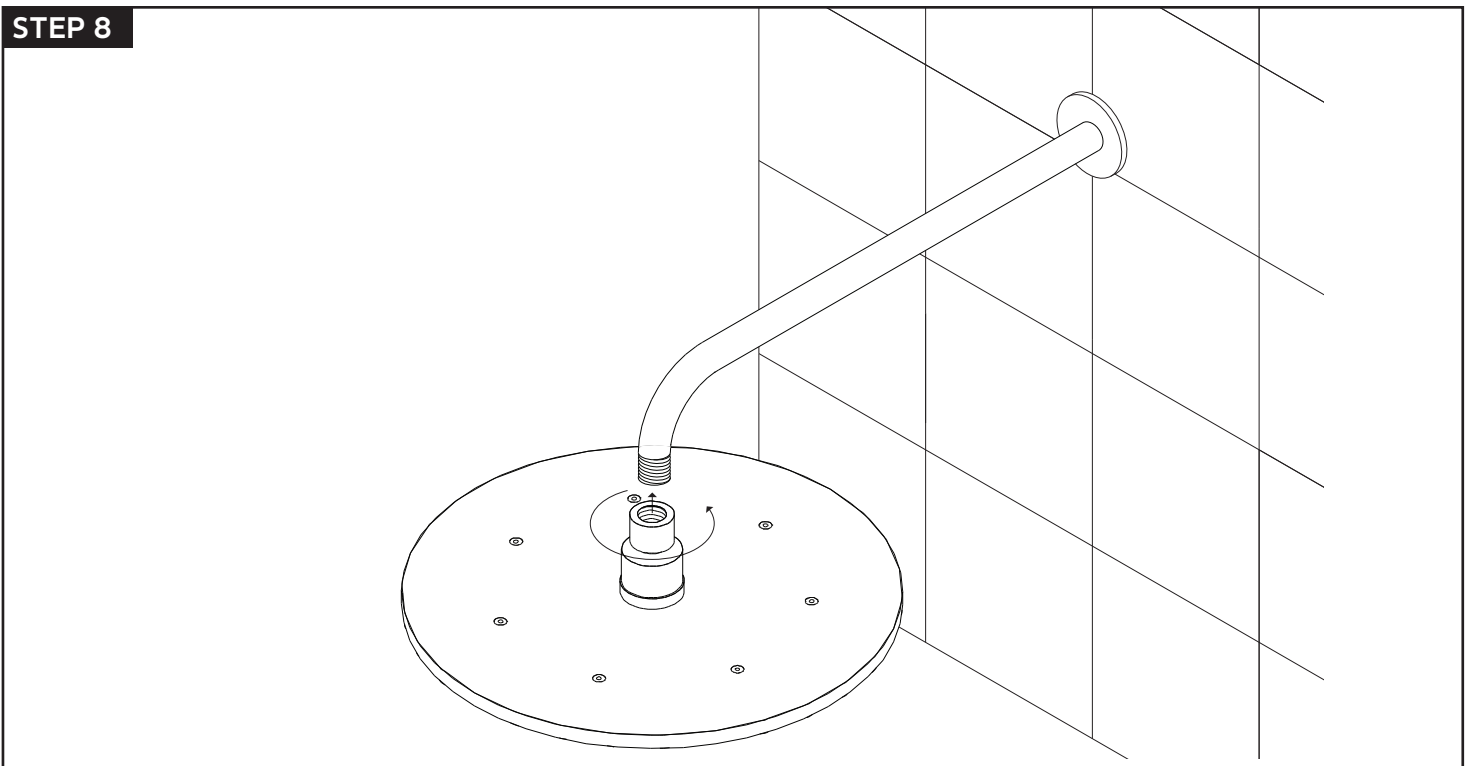


INSTALLATION STEPS

STEP 7

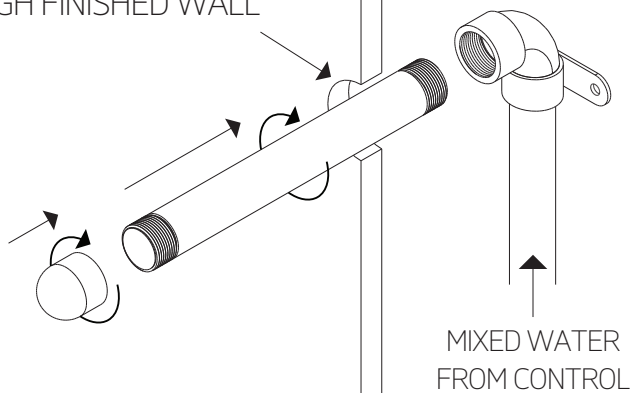


STEP 8



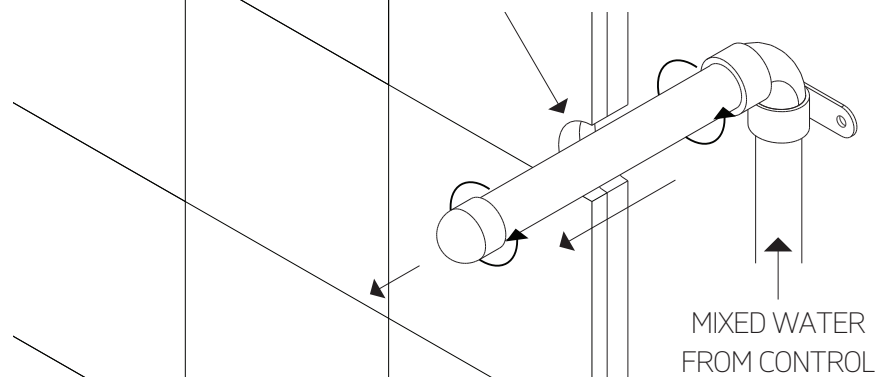
STEP 1 *ALL DIMENSIONS ARE APPROXIMATE

MAX:1-5/8" MIN:1-1/8" DIAMETER
THROUGH FINISHED WALL



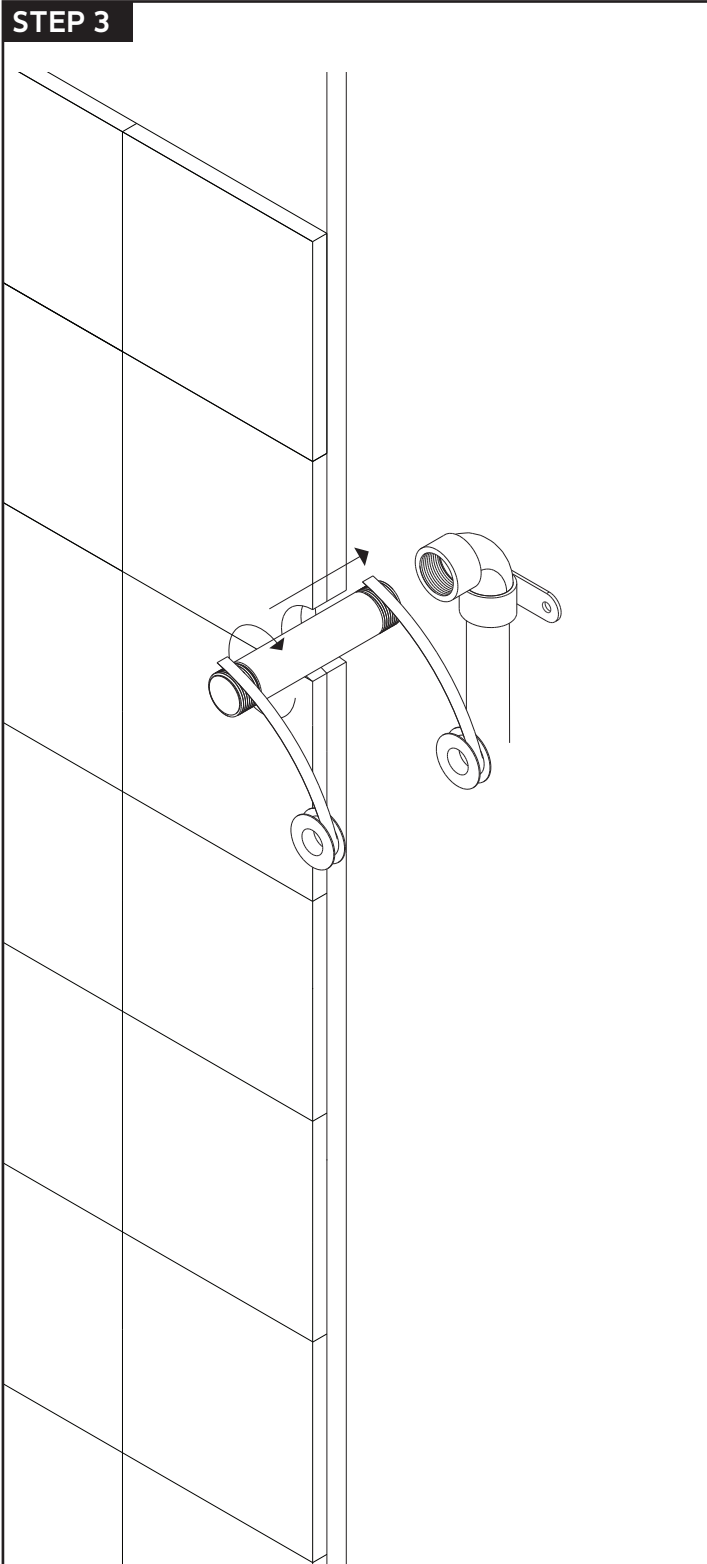
STEP 2

MAX:1-5/8" MIN:1-1/8"
DIAMETER THROUGH
FINISHED WALL

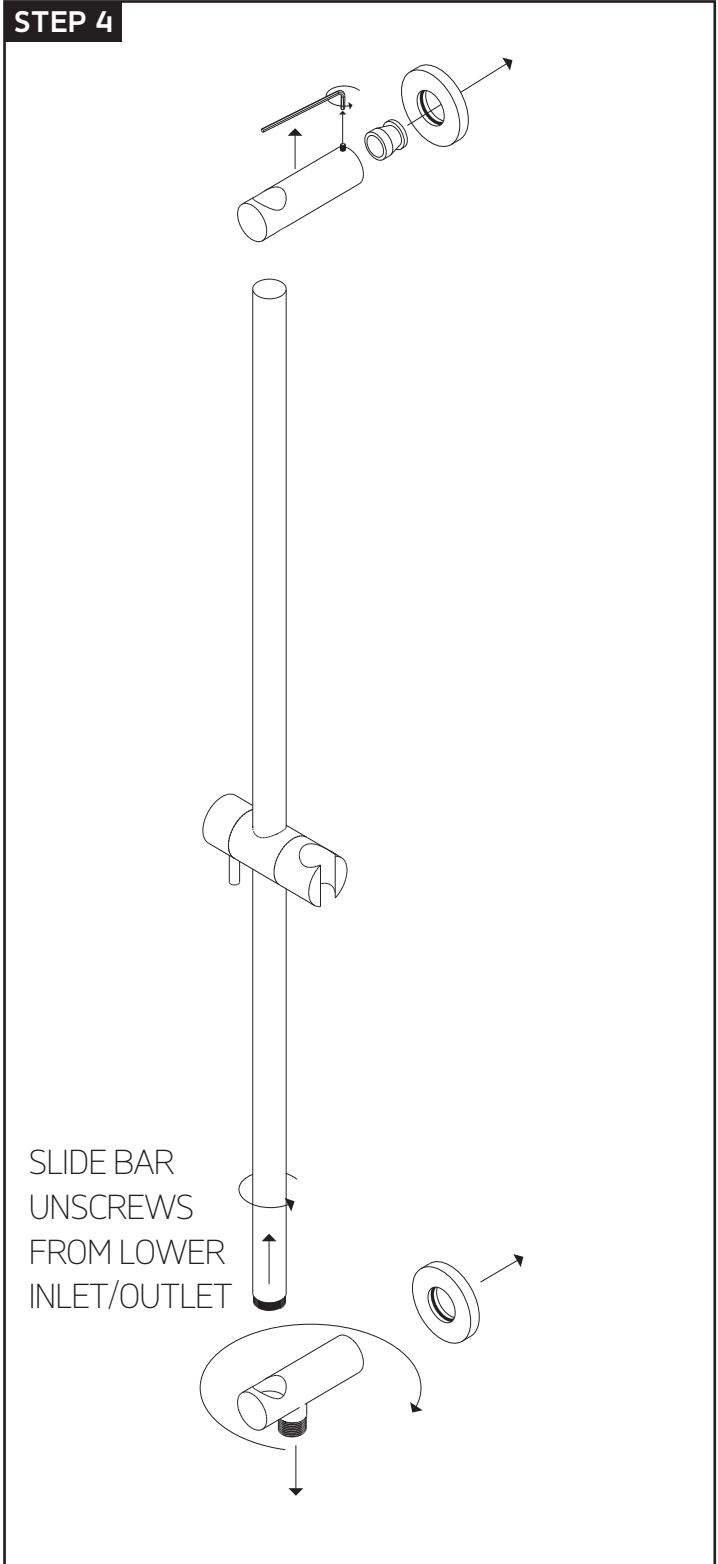


INSTALLATION STEPS

STEP 3



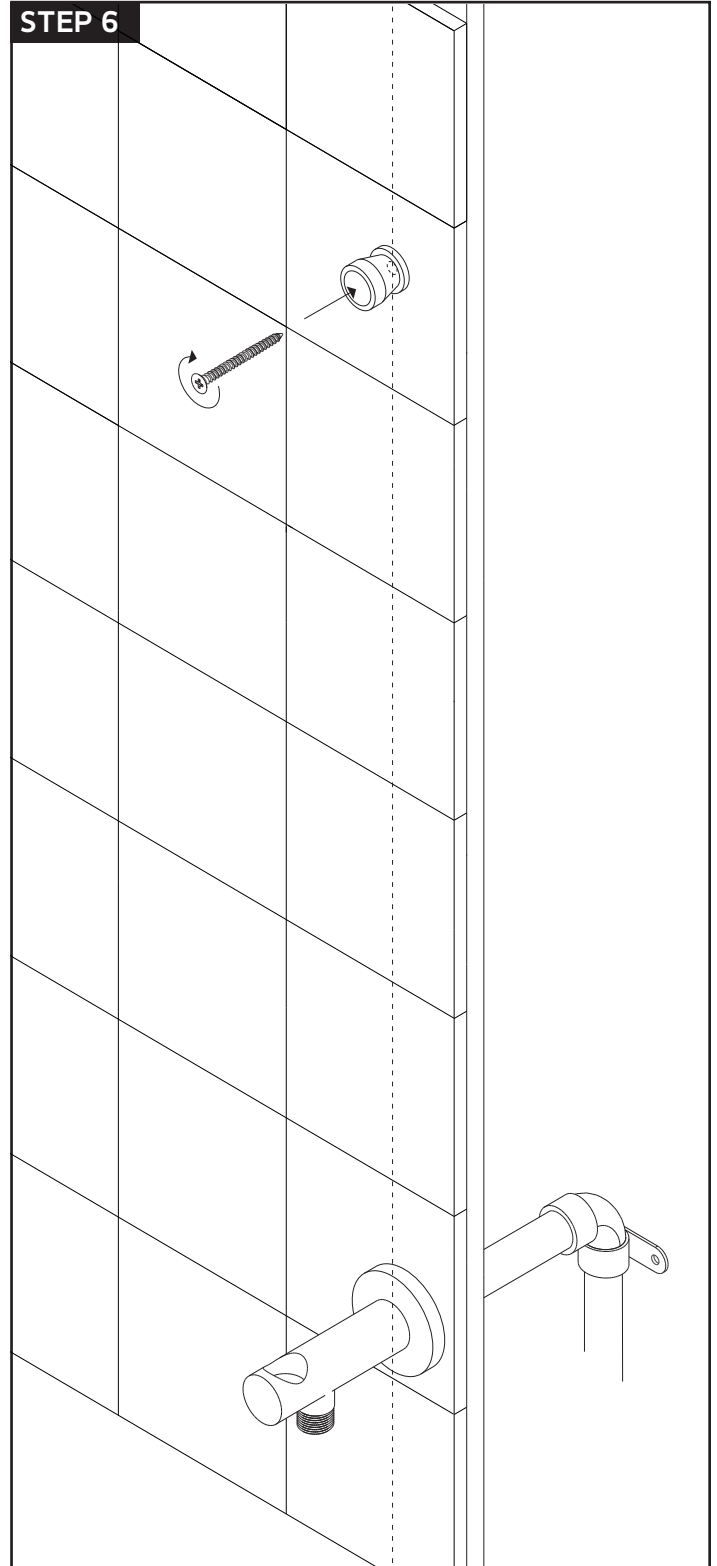
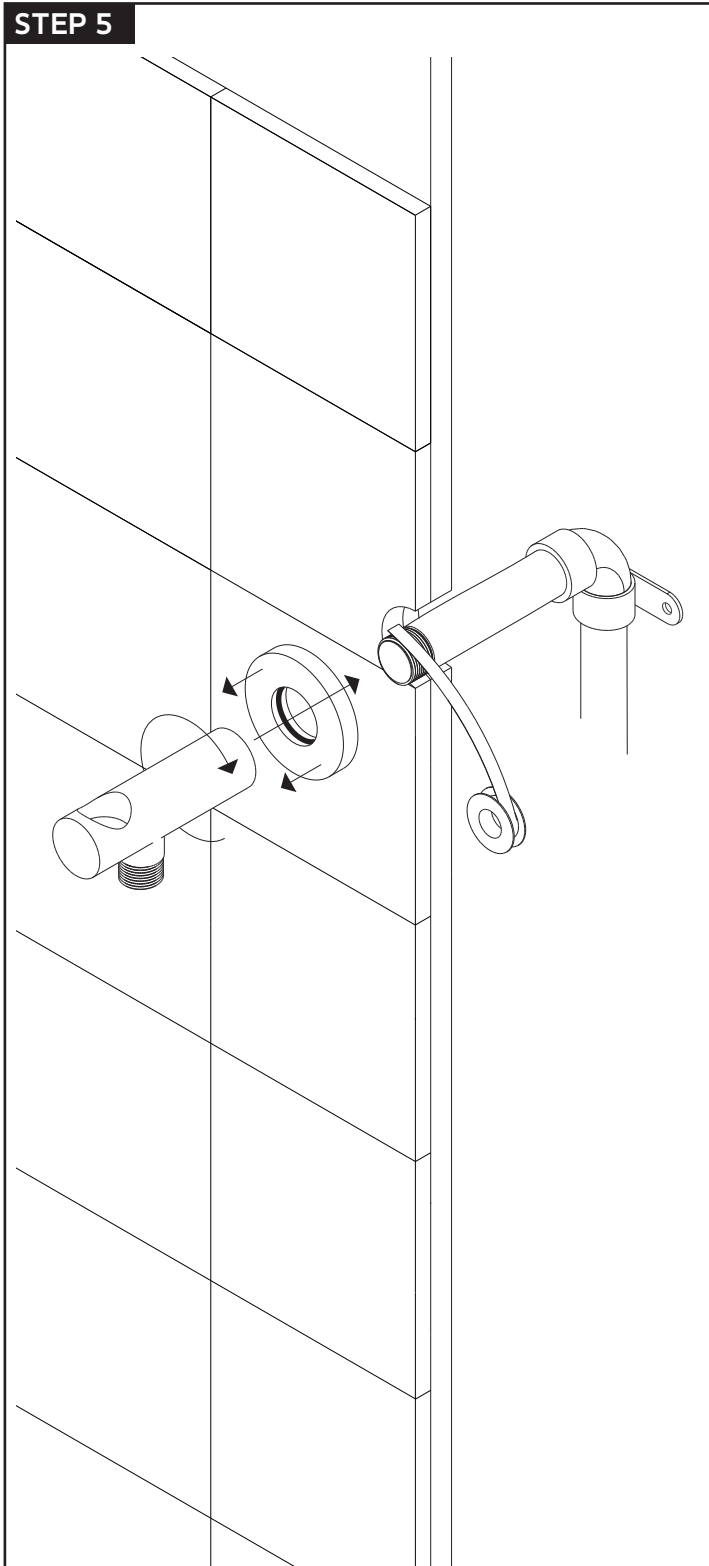
STEP 4



artos[®]

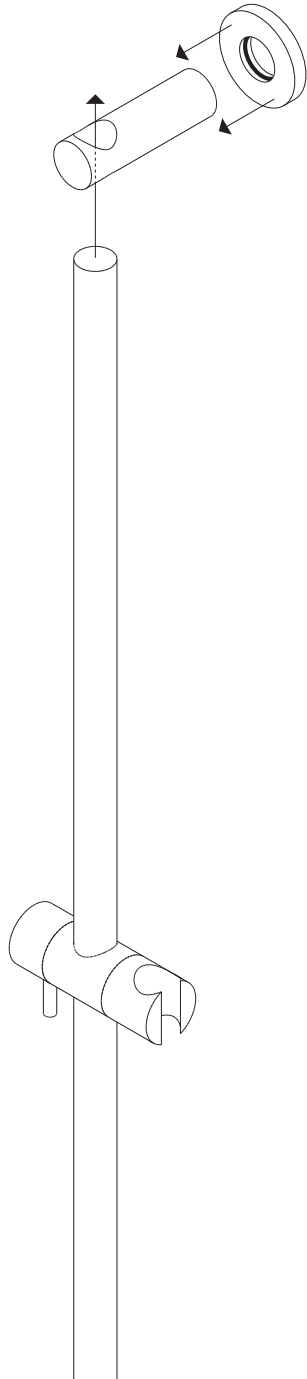
PS136

hand shower

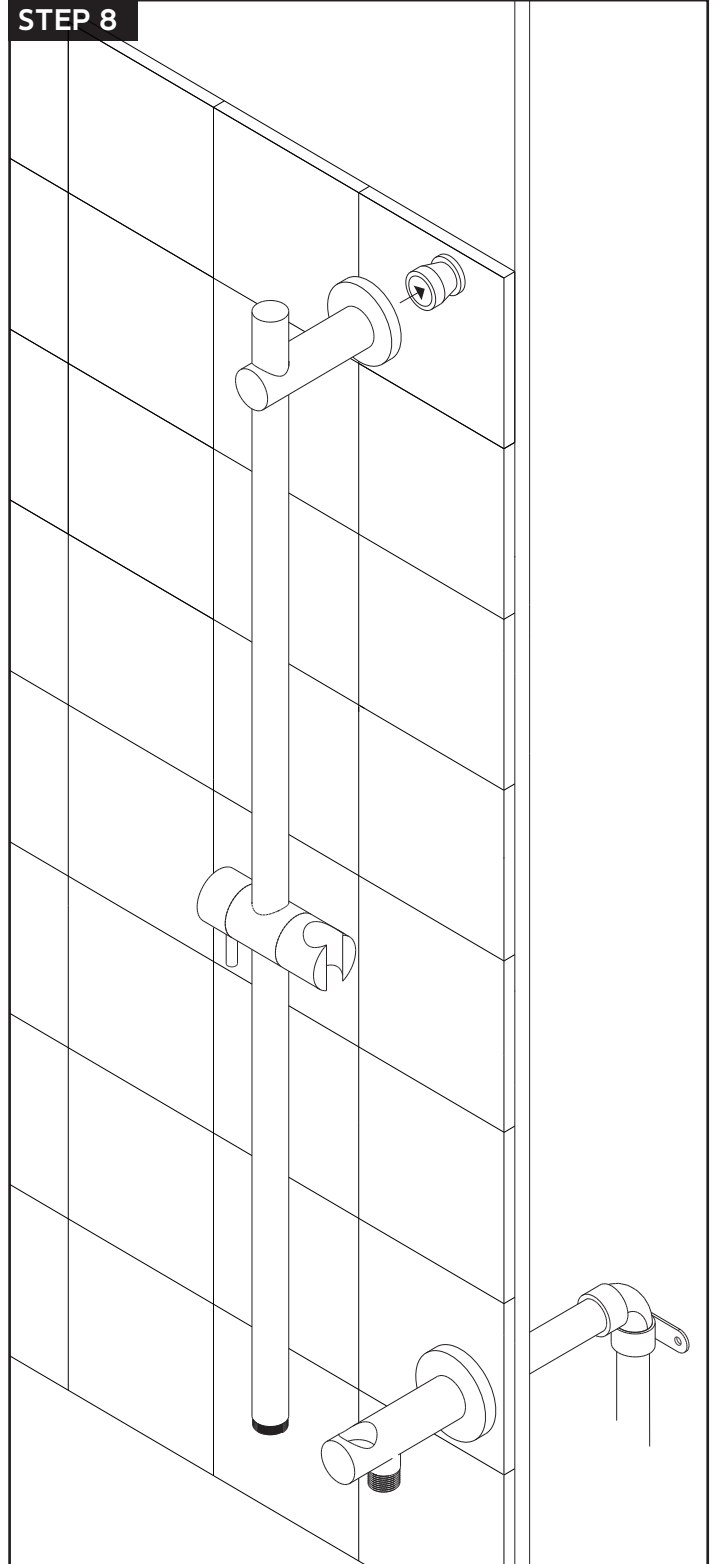


INSTALLATION STEPS

STEP 7



STEP 8

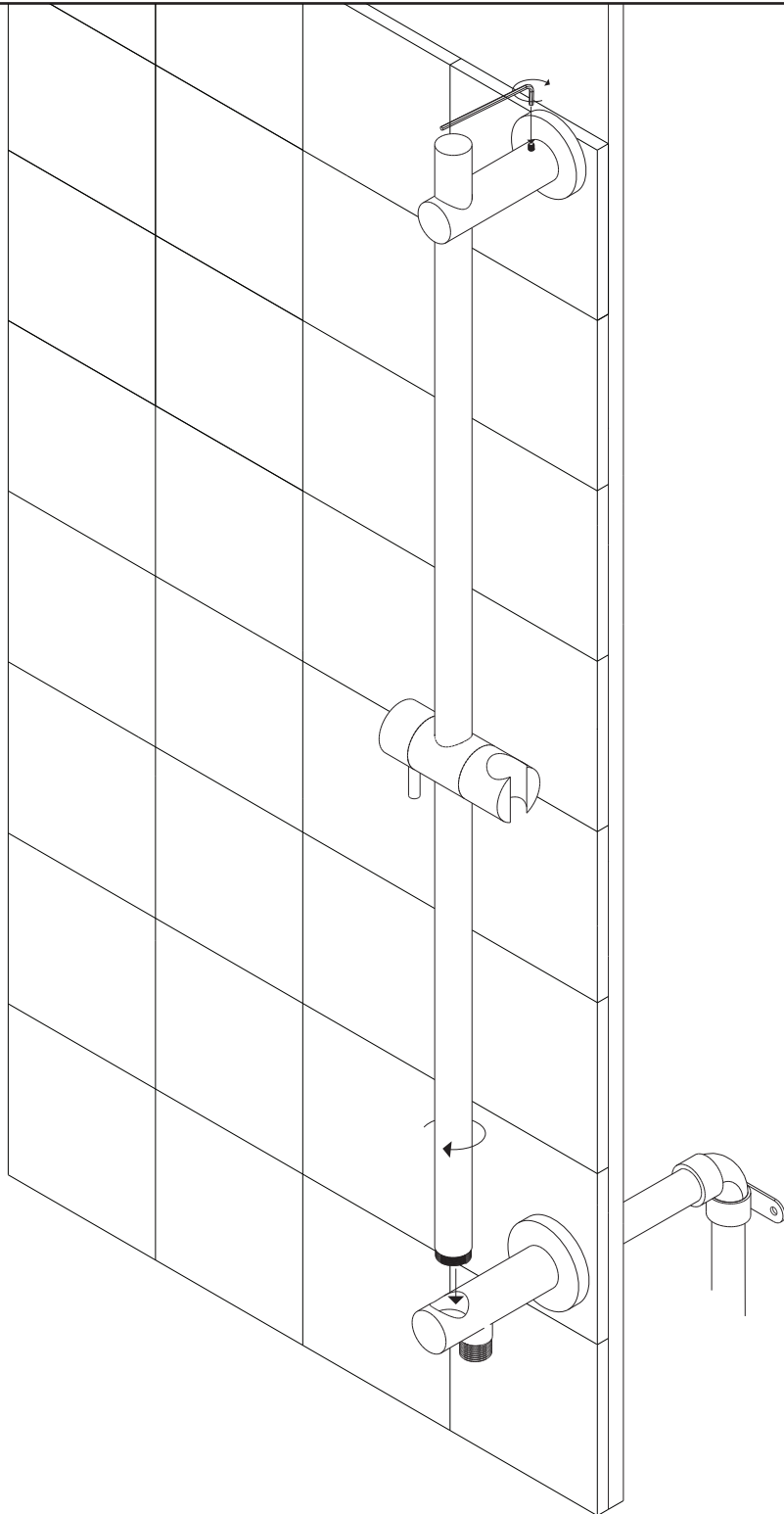


artos[®]

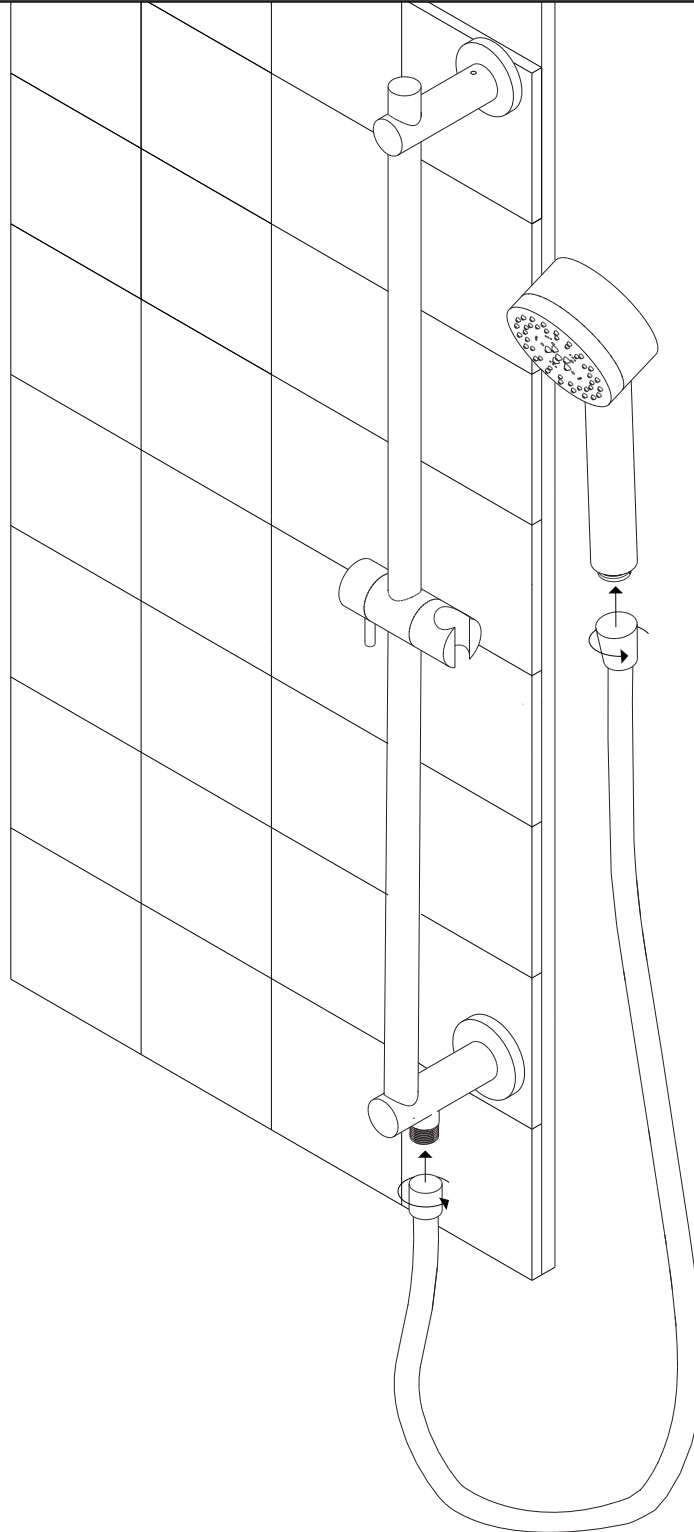
PS136

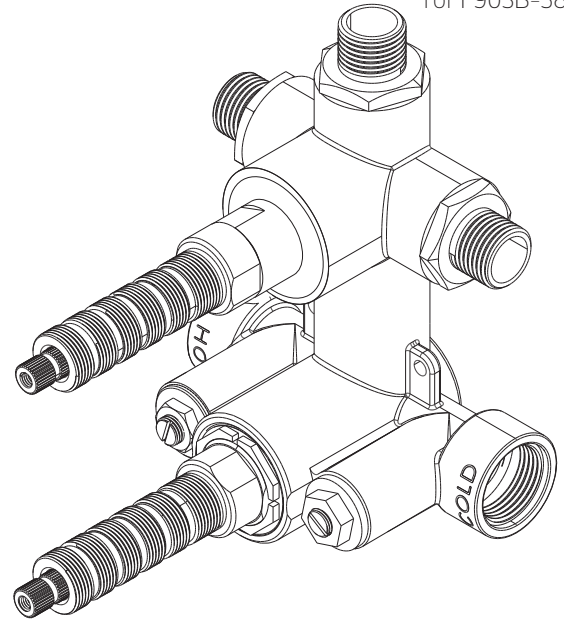
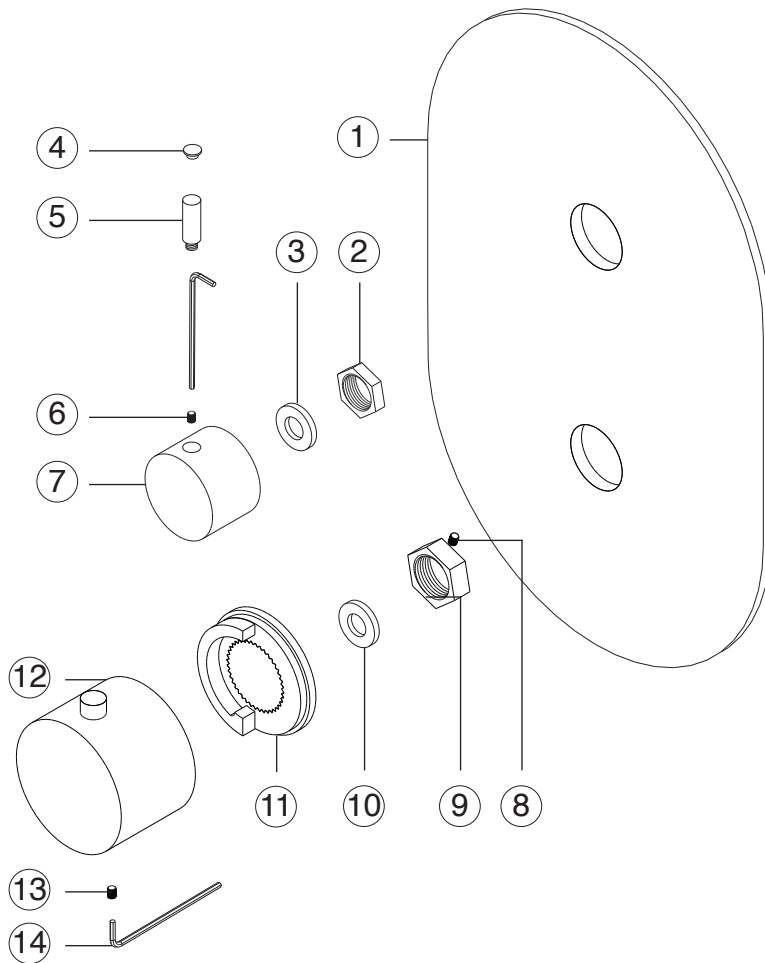
hand shower

STEP 9

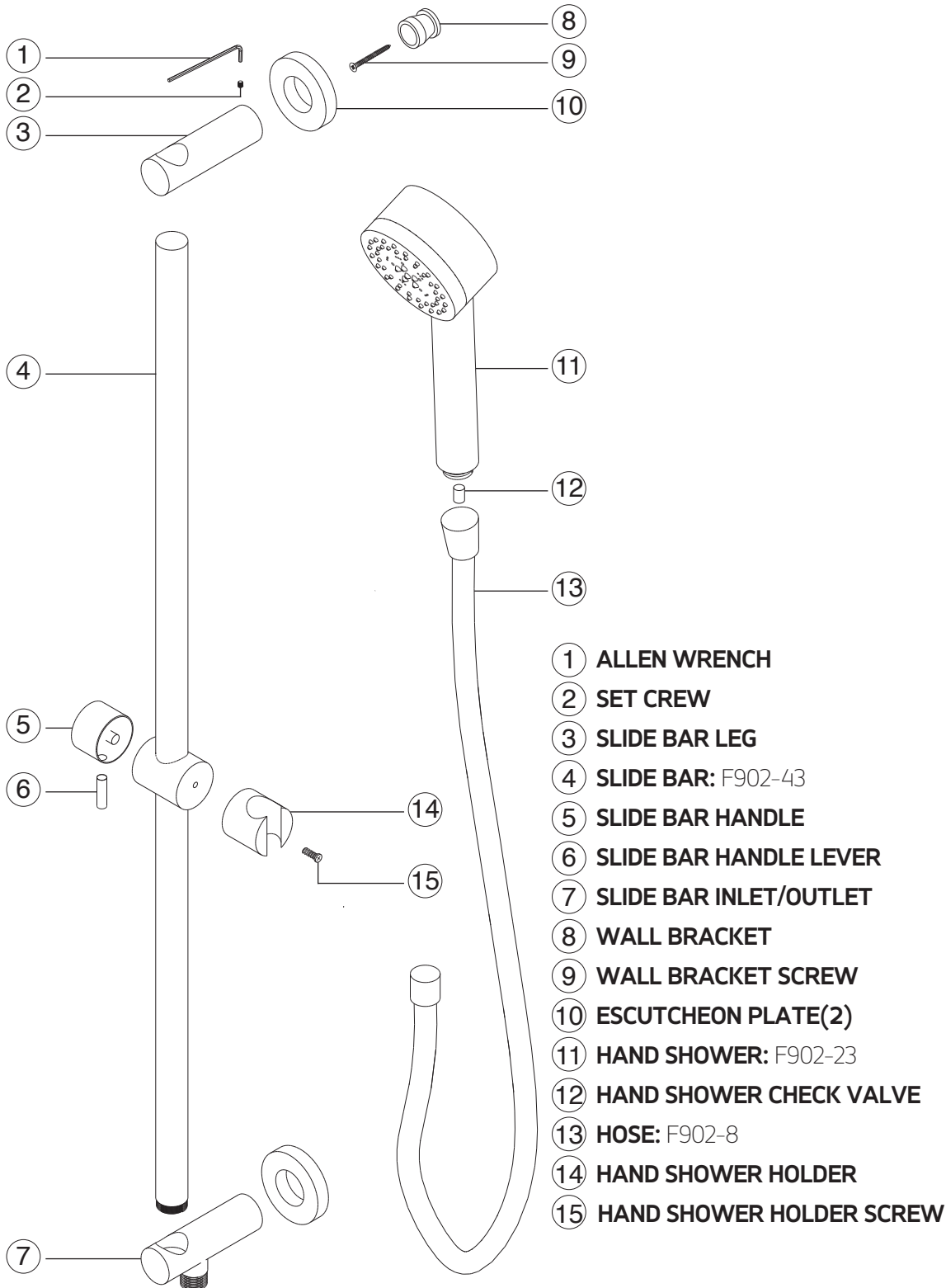


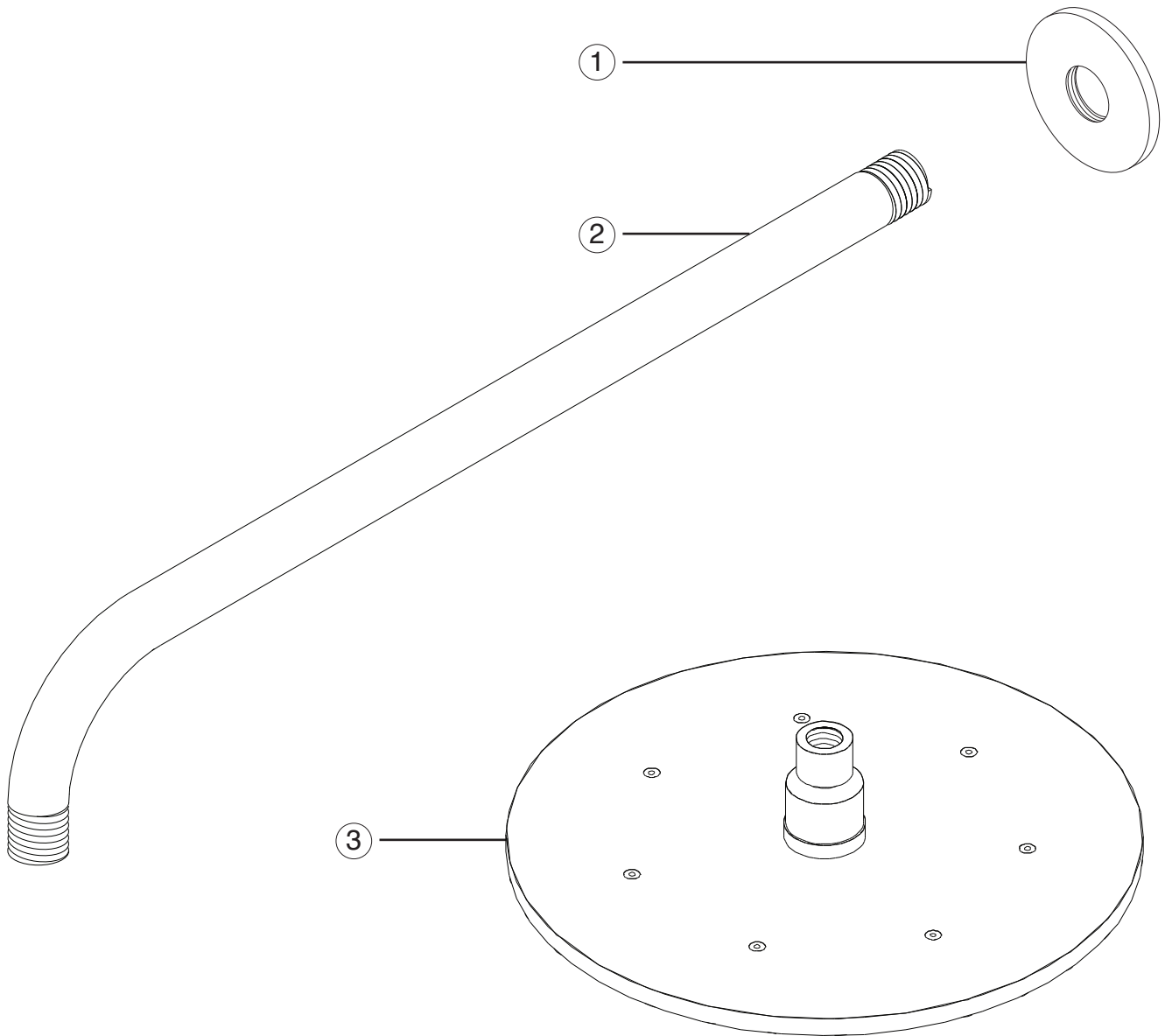
STEP 10





- | | |
|------------------------------|-------------------------------|
| ① ESCUTCHEON: F903A-8P | ⑧ LOCKING NUT SET SCREW |
| ② DIVERTER LOCKING NUT | ⑨ THERMOSTAT LOCKING NUT |
| ③ NYLON WASHER | ⑩ NYLON WASHER |
| ④ HANDLE HOLE CAP | ⑪ TEMPERATURE LIMITING RING |
| ⑤ DIVERTER HANDLE LEVER | ⑫ THERMOSTAT HANDLE: F904A-1H |
| ⑥ DIVERTER SET SCREW | ⑬ THERMOSTAT SET SCREW |
| ⑦ DIVERTER HANDLE: F903A-12H | ⑭ ALLEN WRENCH |





- ① ESCUTCHEON PLATE
- ② SHOWER ARM: F902-1
- ③ SHOWER HEAD: F901-8