

artos[®]

PS127

INSTALLATION GUIDE

premier series shower set

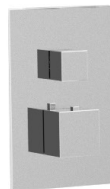
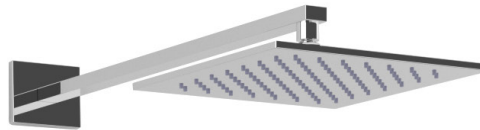
BRUSHED NICKEL(BN)



CHROME(CH)



BLACK (BK)

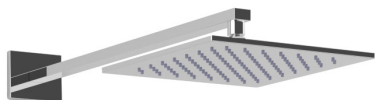


artos[®]

PS127

OPERATING SPECIFICATIONS

premier series shower set



FEATURES

Solid Brass

3-Outlets

INCLUDES

F903B-59TK

F703-6

F907-50

F905-1

OPERATING PRESSURE

Minimum: 15 psi

Maximum: 75 psi

Above 90psi it may be necessary to install a pressure reducer

OPERATING TEMPERATURE

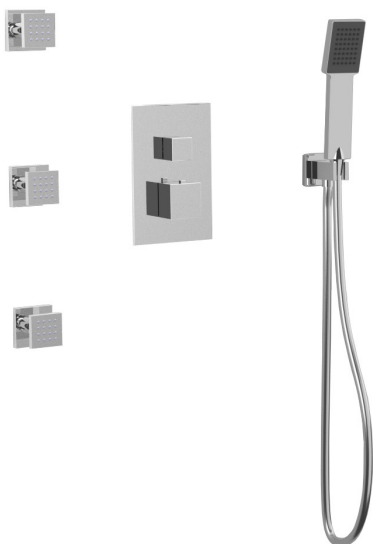
Maximum: 176°

FLOW CAPACITY

Hand Shower: 1.8 USGPM

Shower Head: 1.8 USGPM

Body Jet: 1.8 USGPM



F901-8 APPROVAL



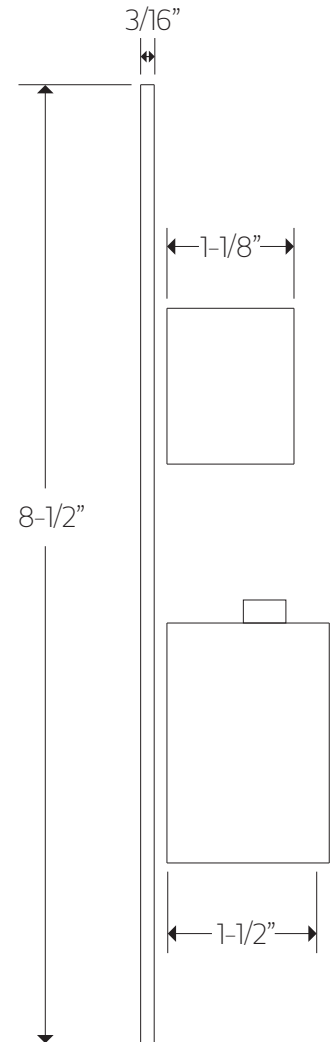
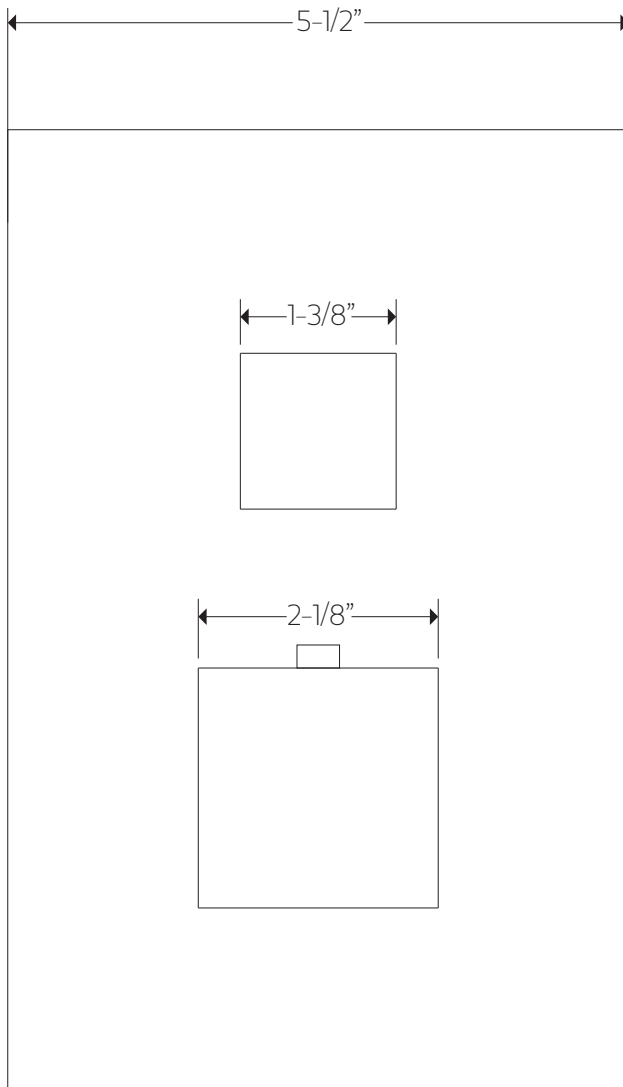
artos[®]

PS127

PRODUCT DIMENSIONS

premier series shower set

for trim kit



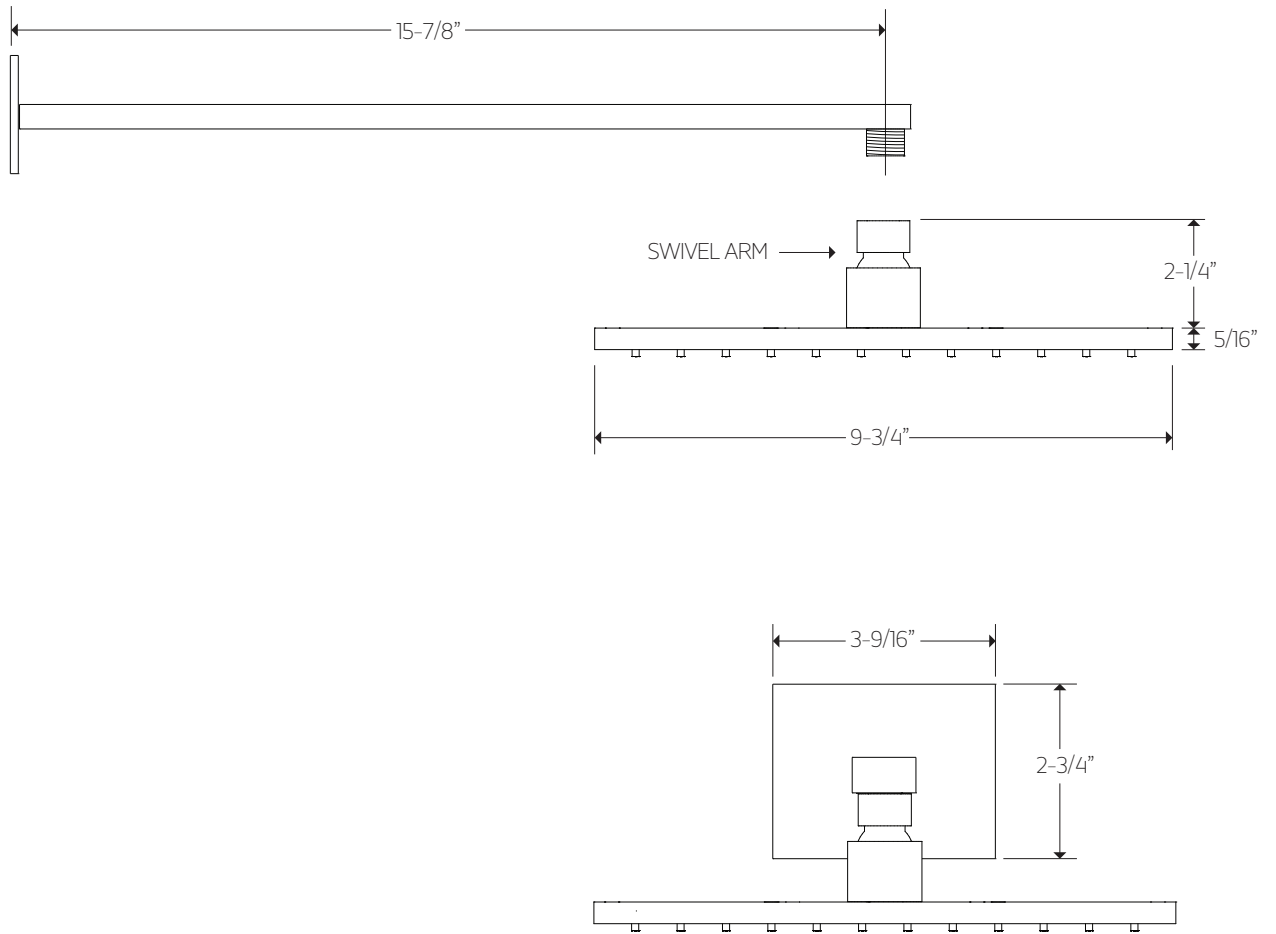
artos[®]

PS127

PRODUCT DIMENSIONS

premier series shower set

for shower head



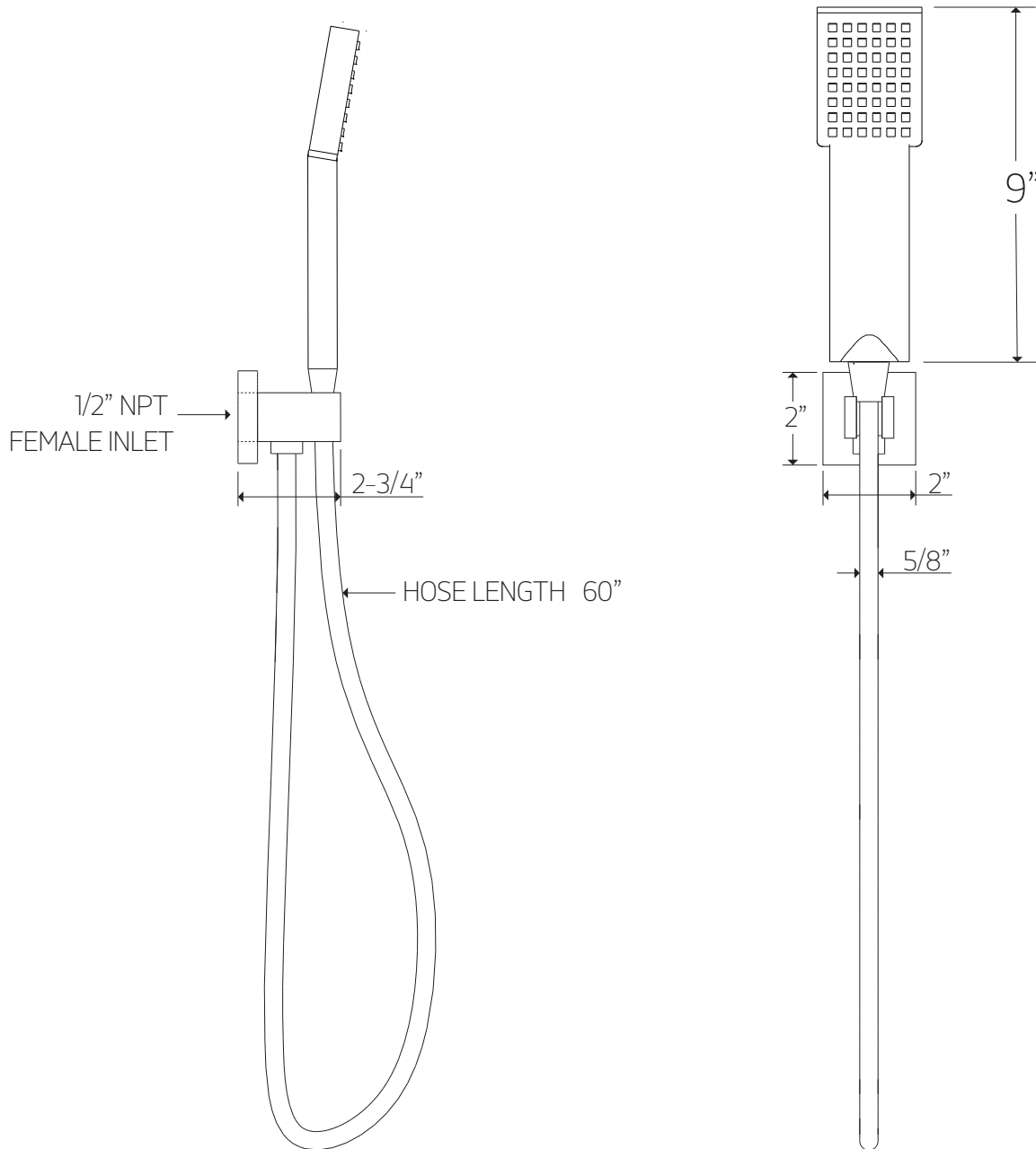
artos[®]

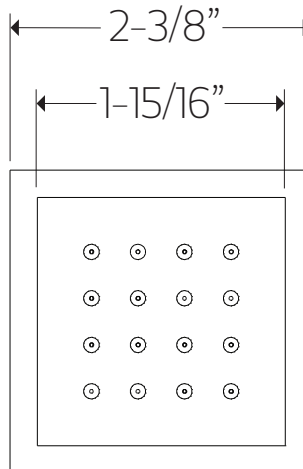
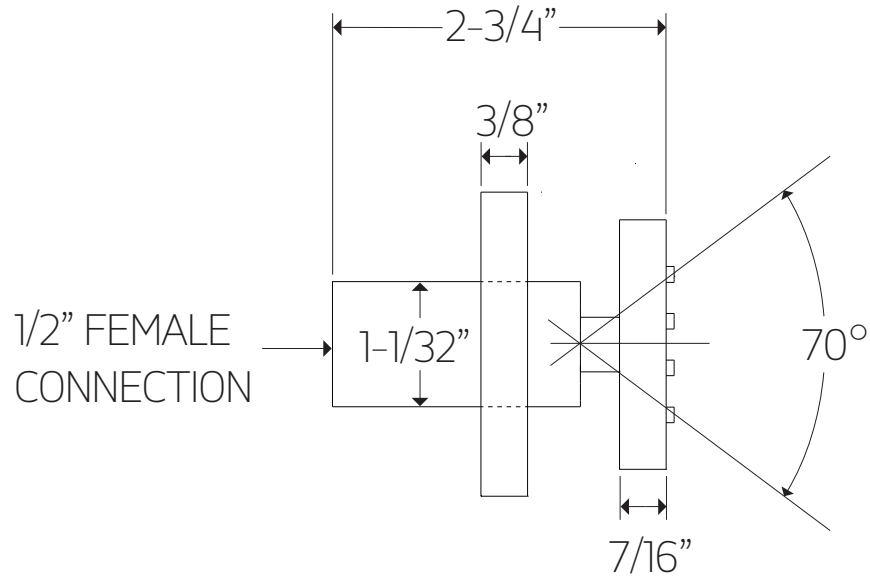
PS127

PRODUCT DIMENSIONS

premier series shower set

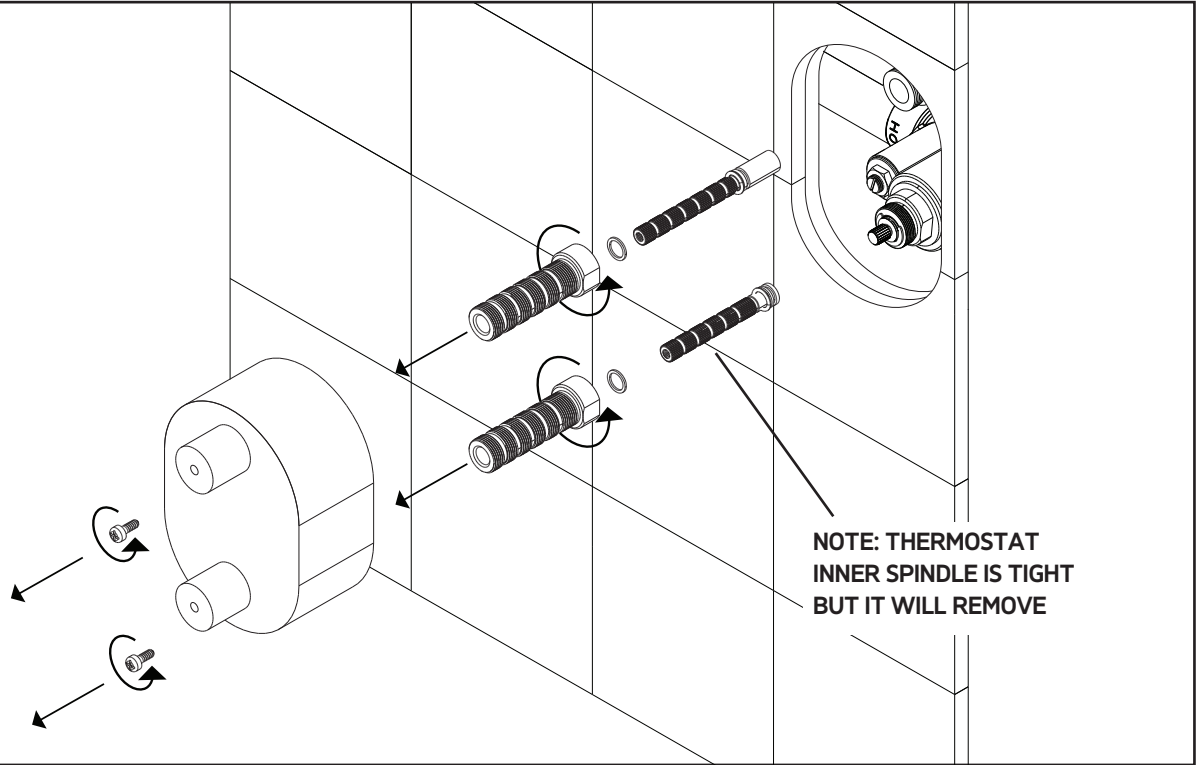
for hand shower



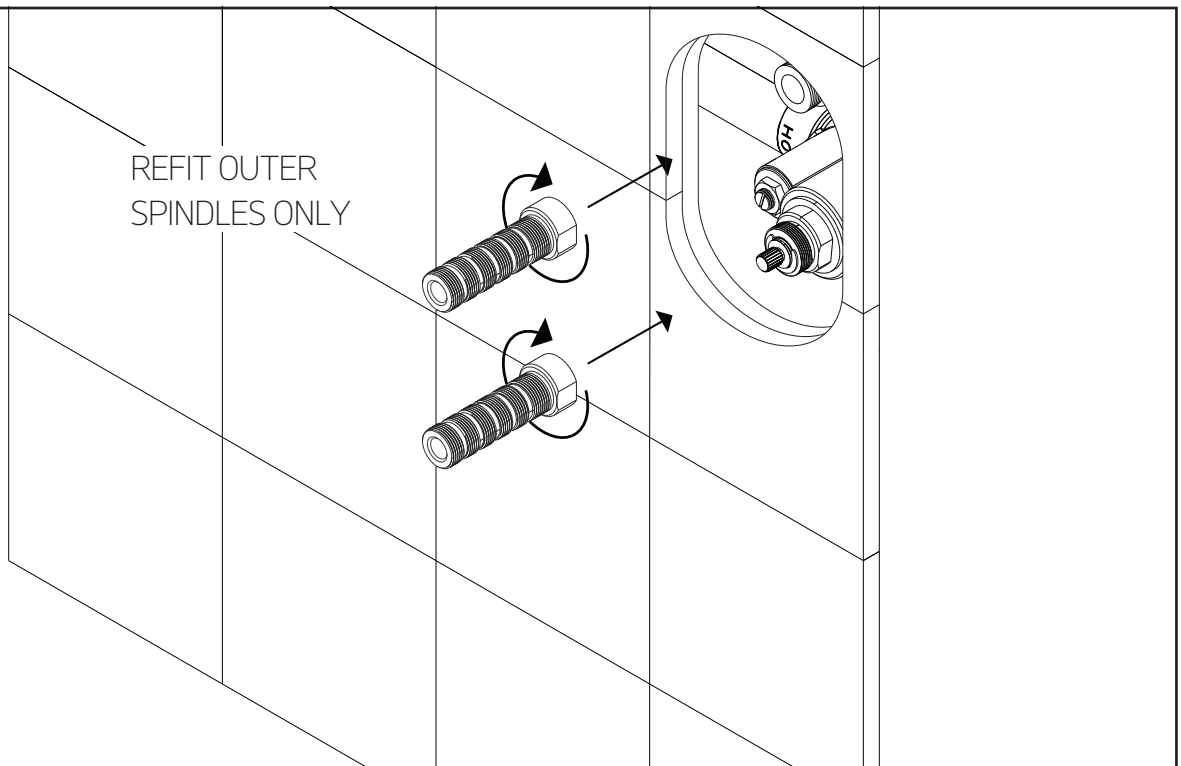


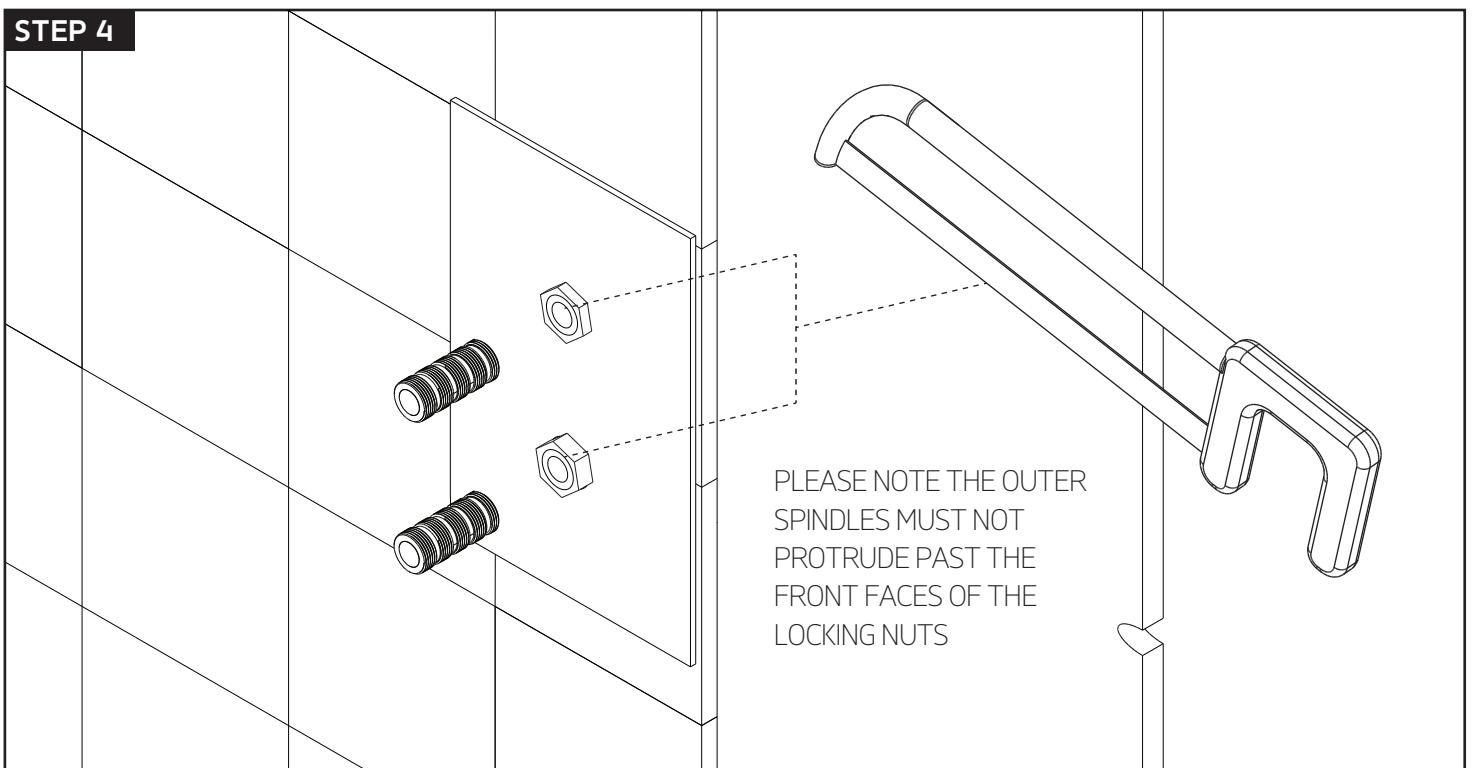
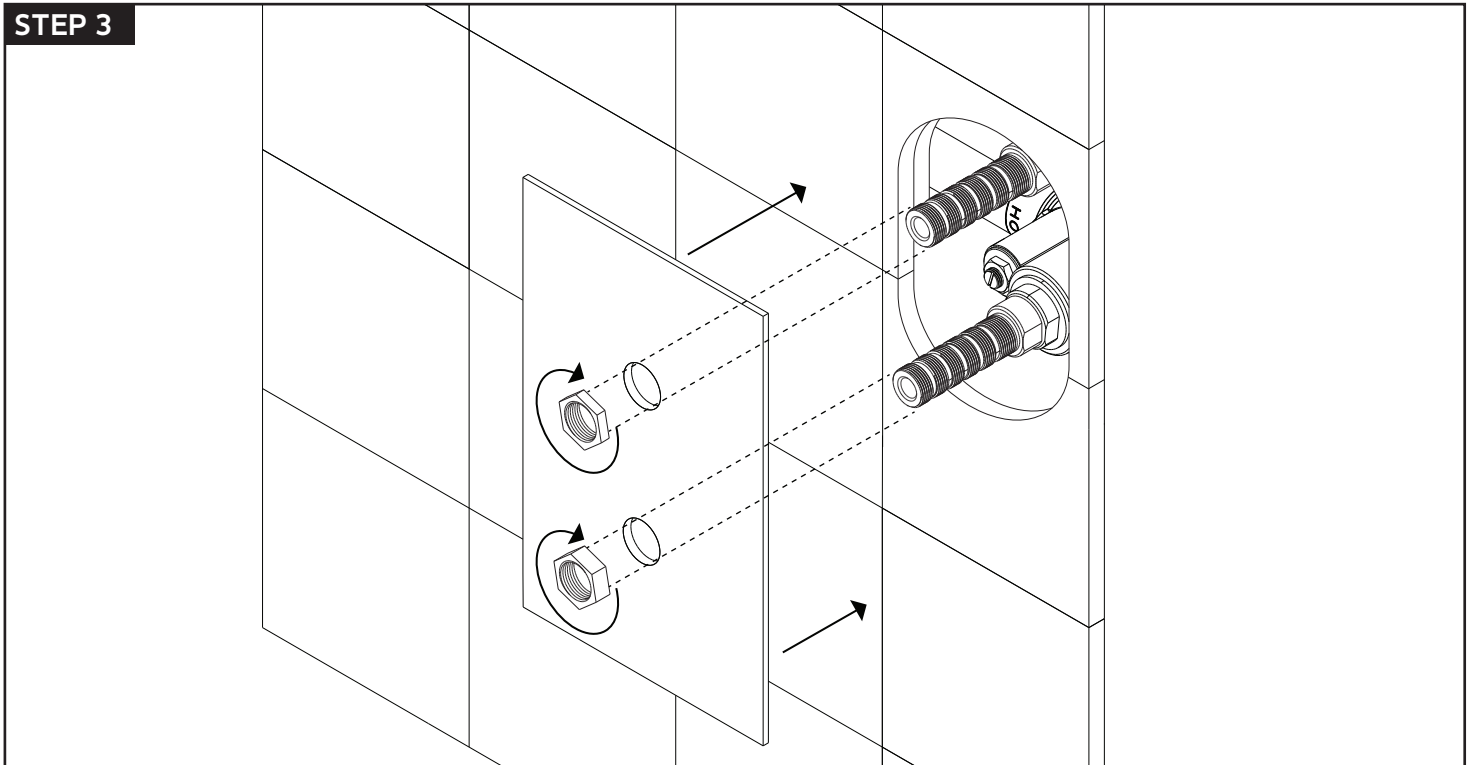
valve trim

STEP 1



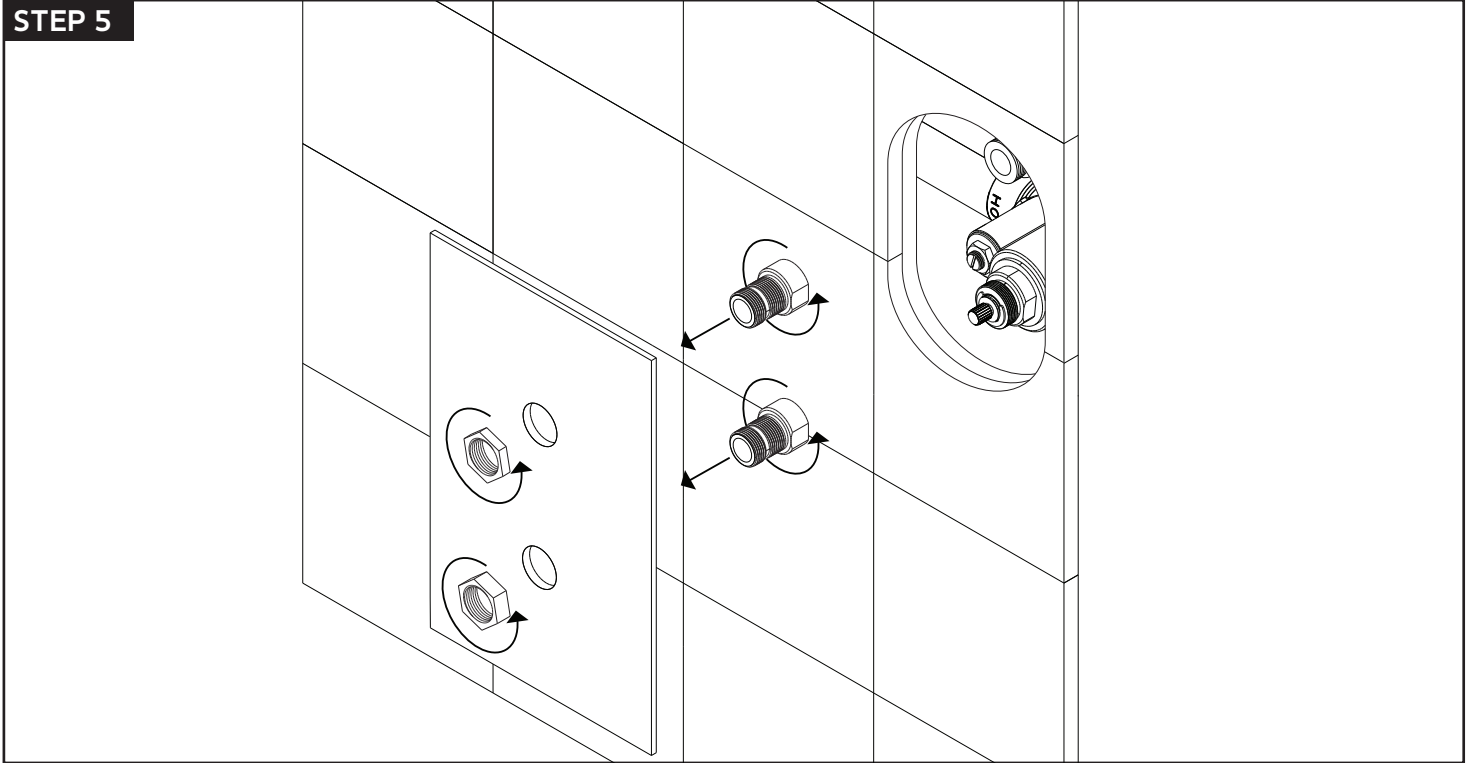
STEP 2



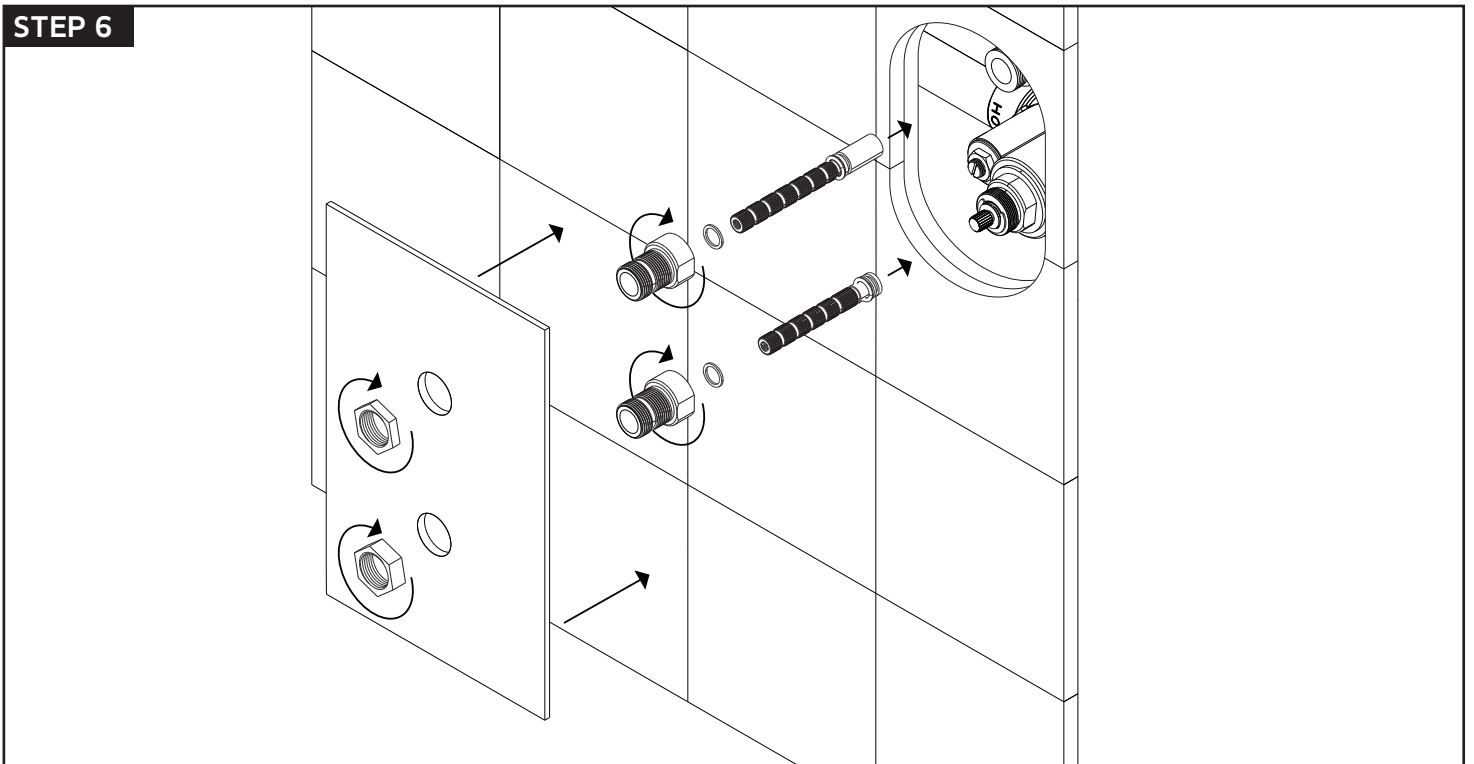


INSTALLATION STEPS

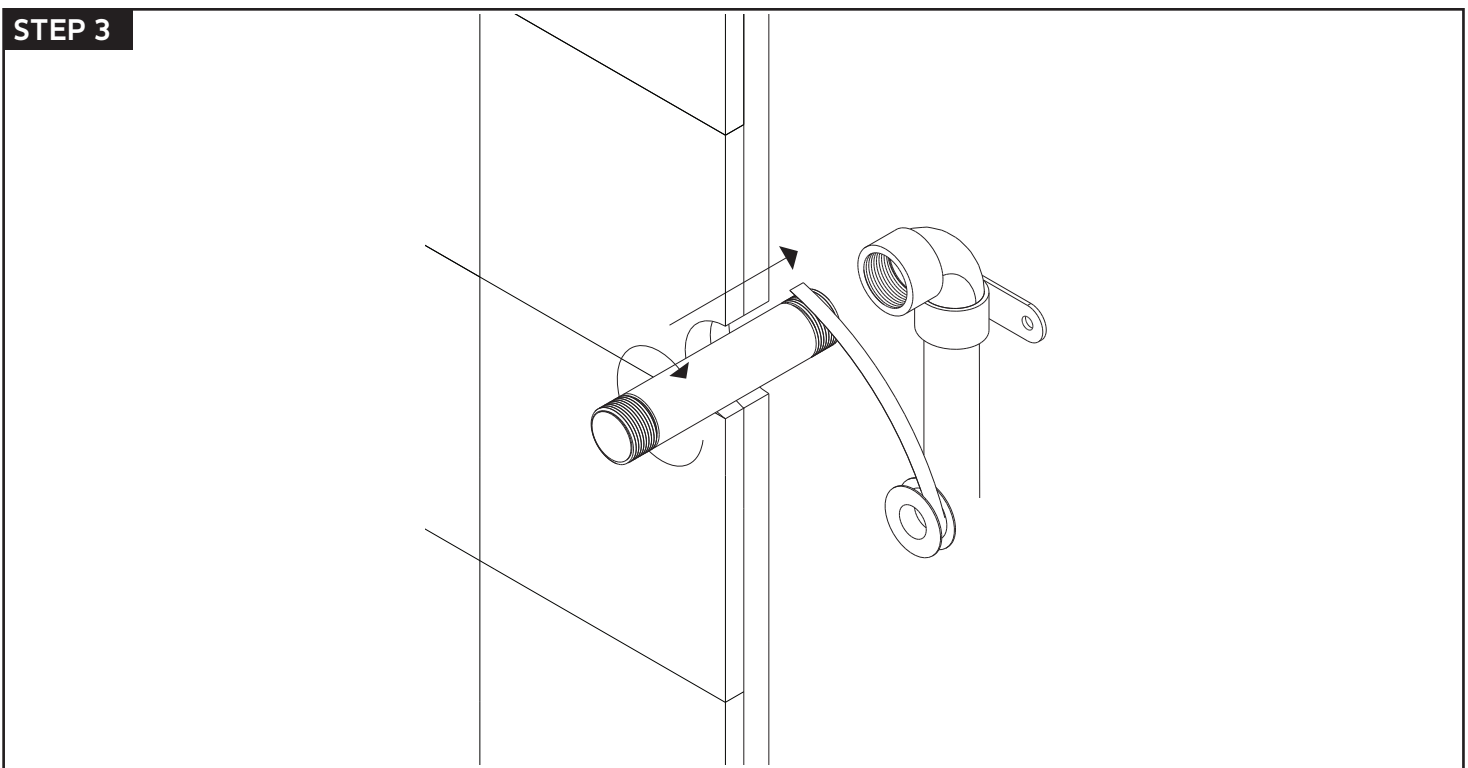
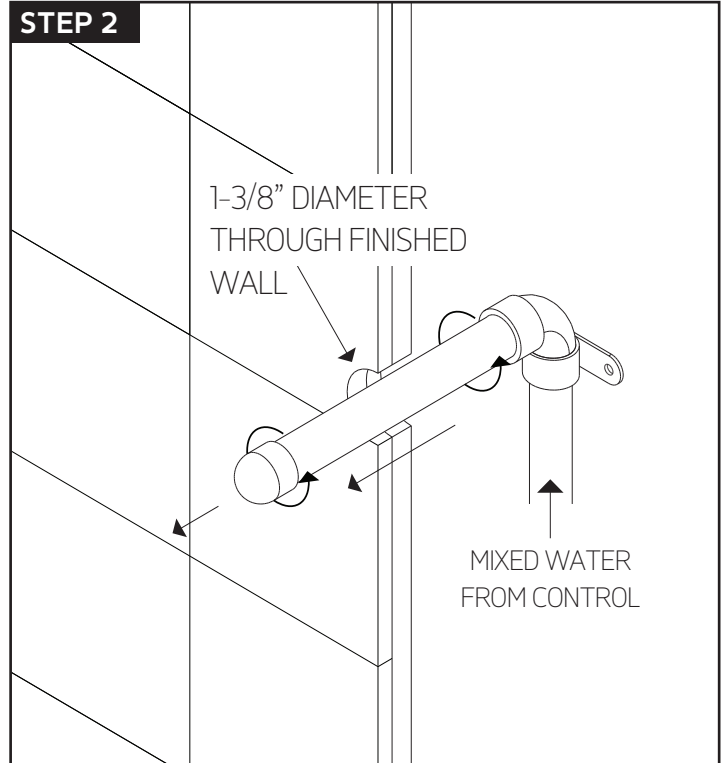
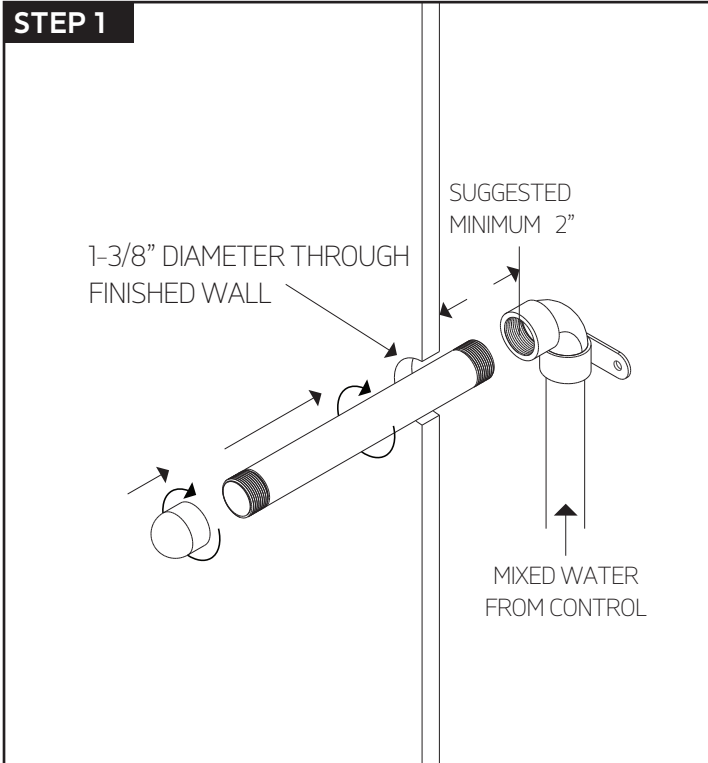
STEP 5



STEP 6



shower head



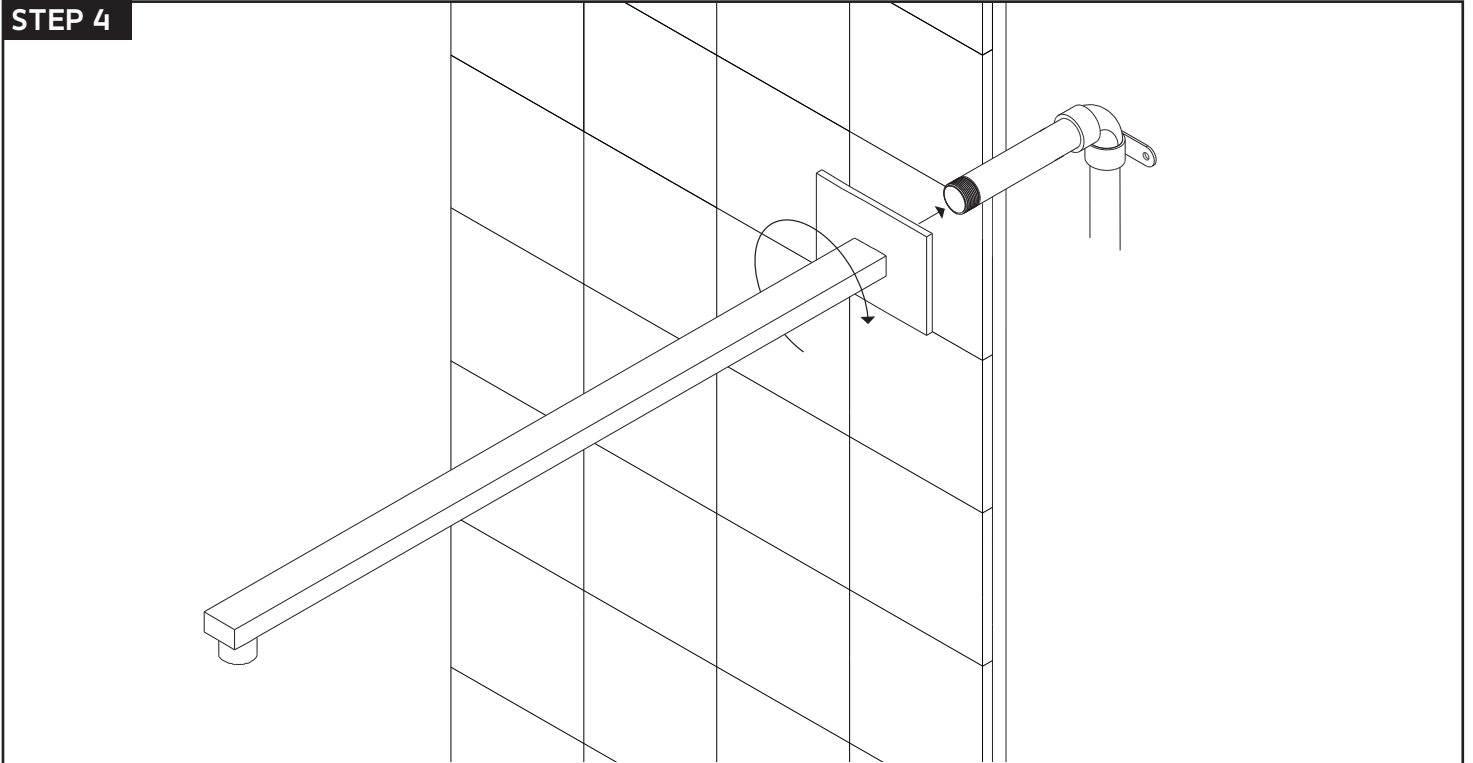
artos[®]

PS127

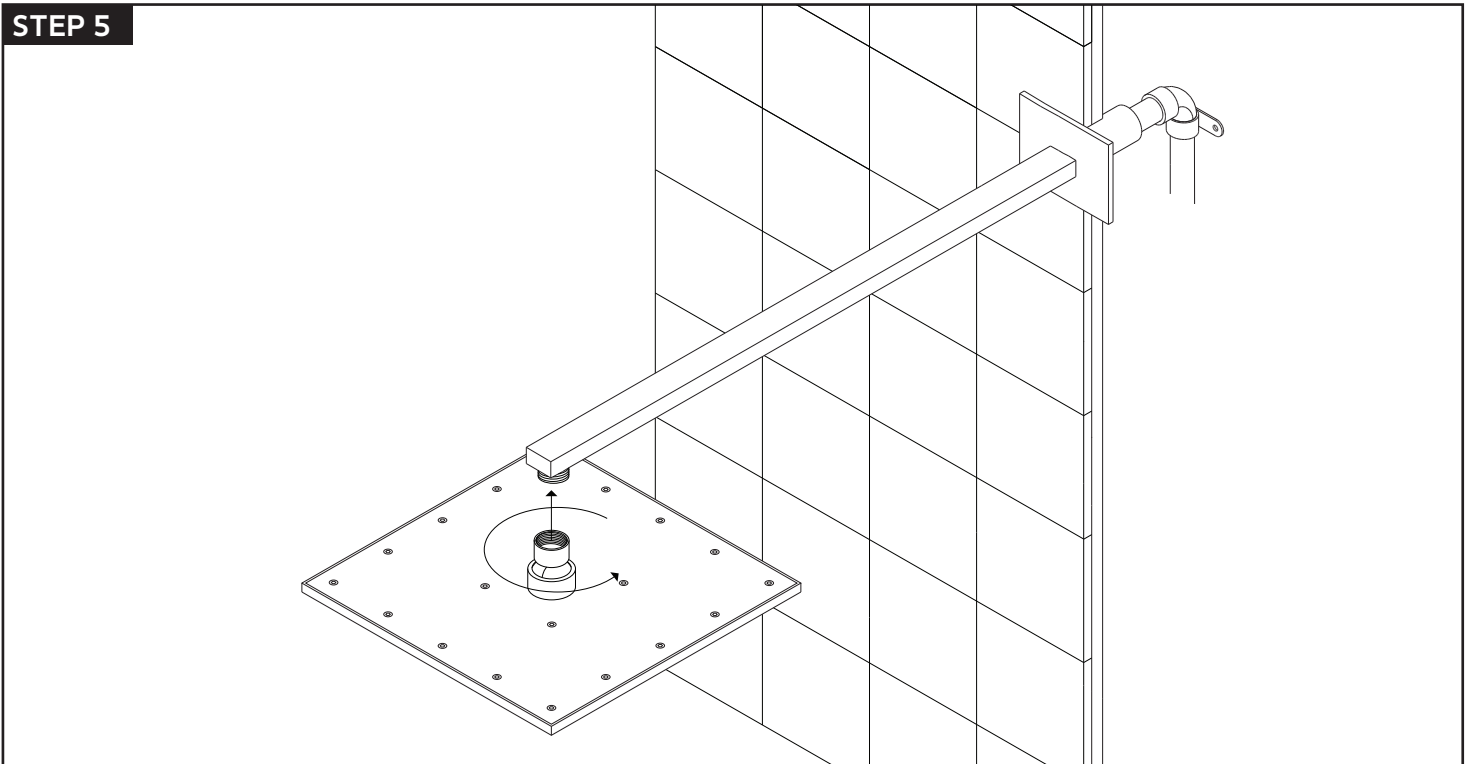
INSTALLATION STEPS

shower head

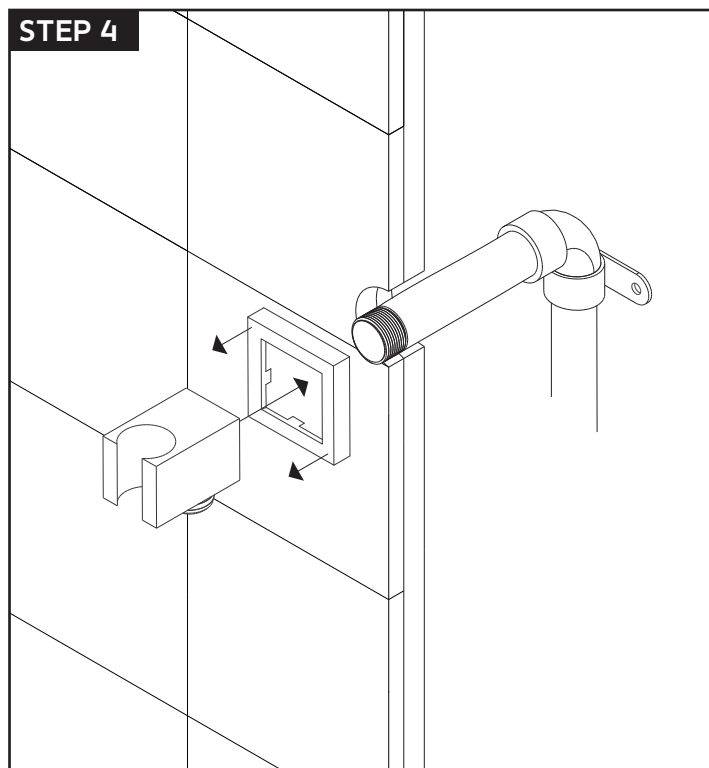
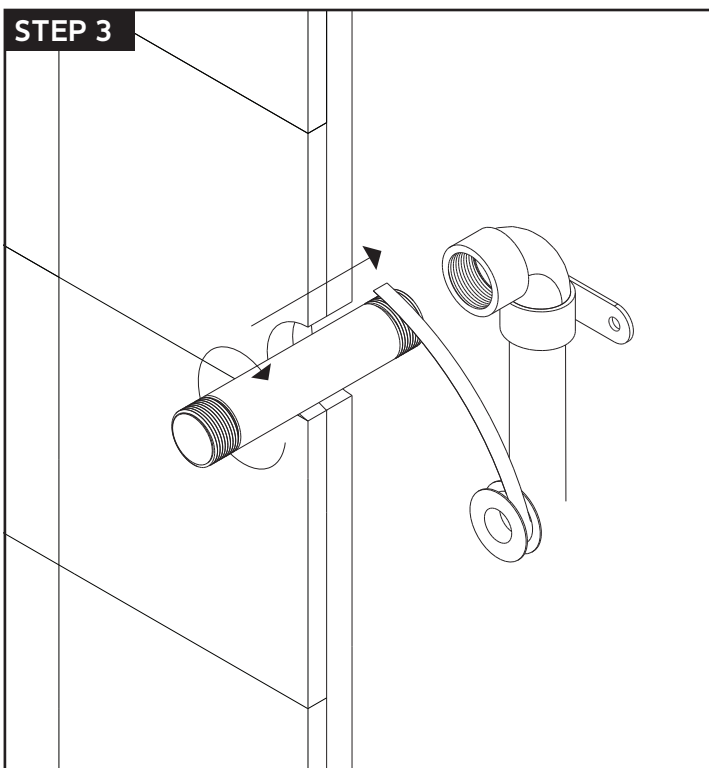
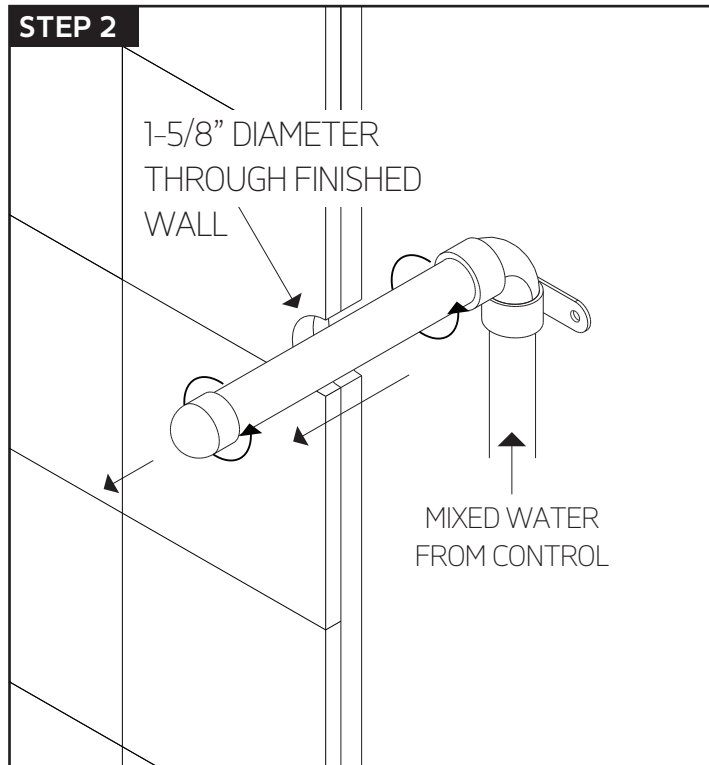
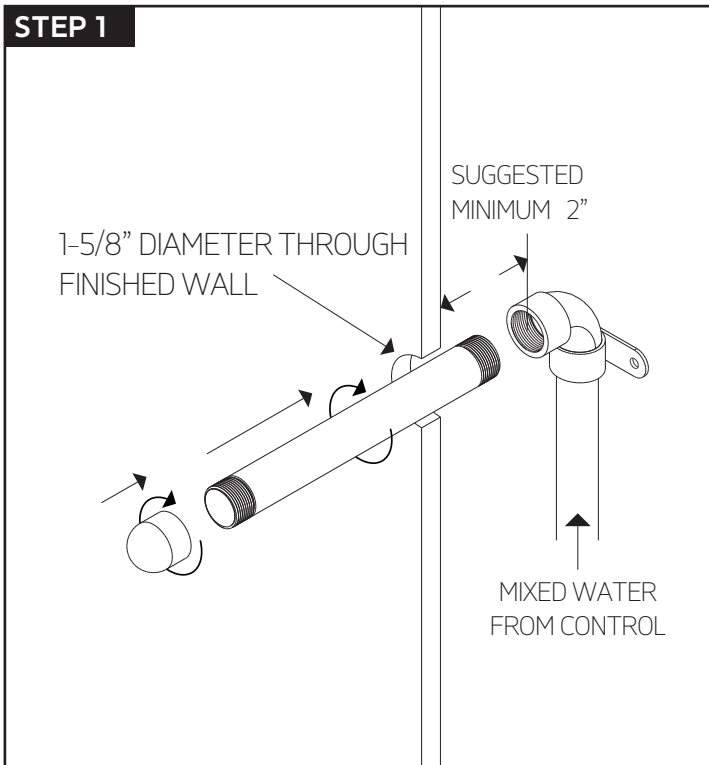
STEP 4



STEP 5



hand shower

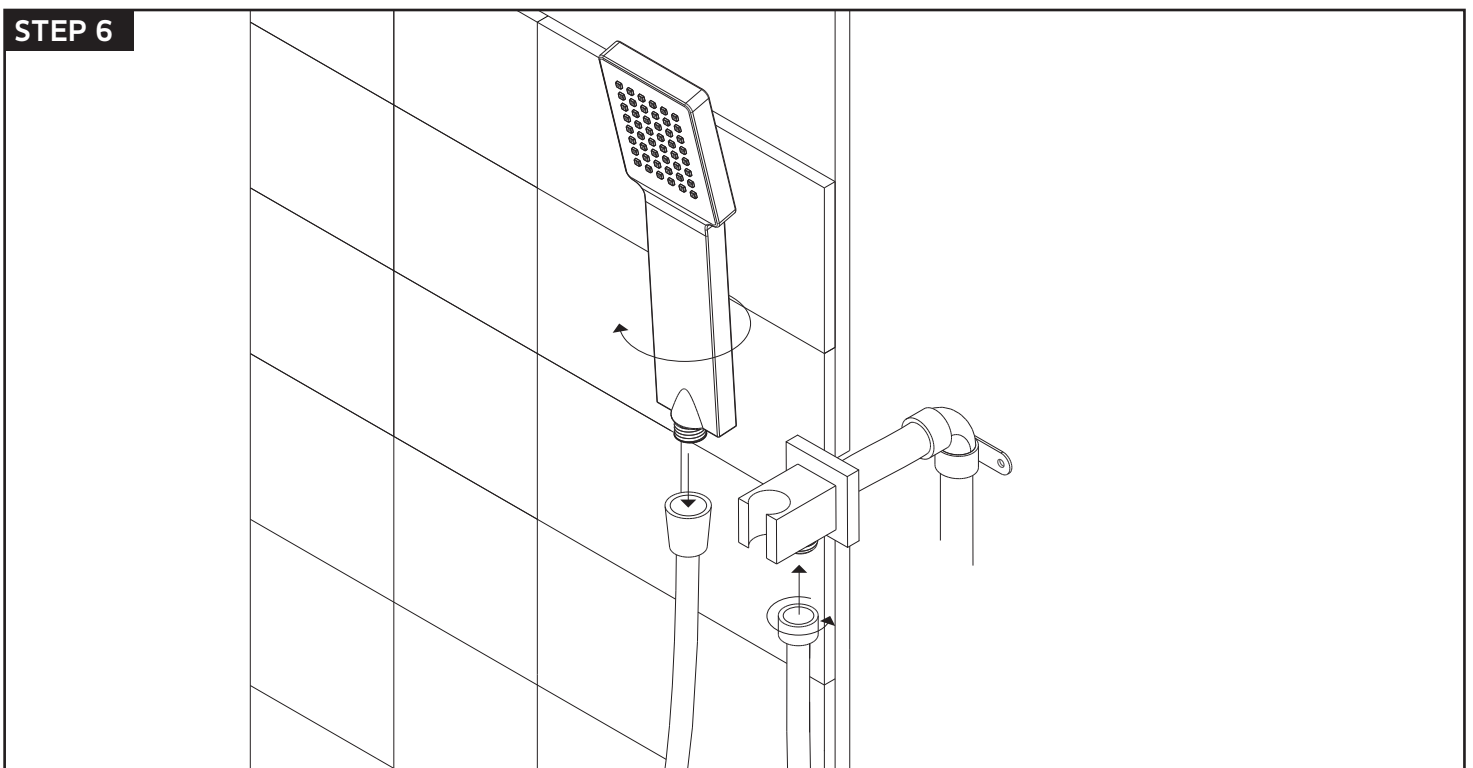
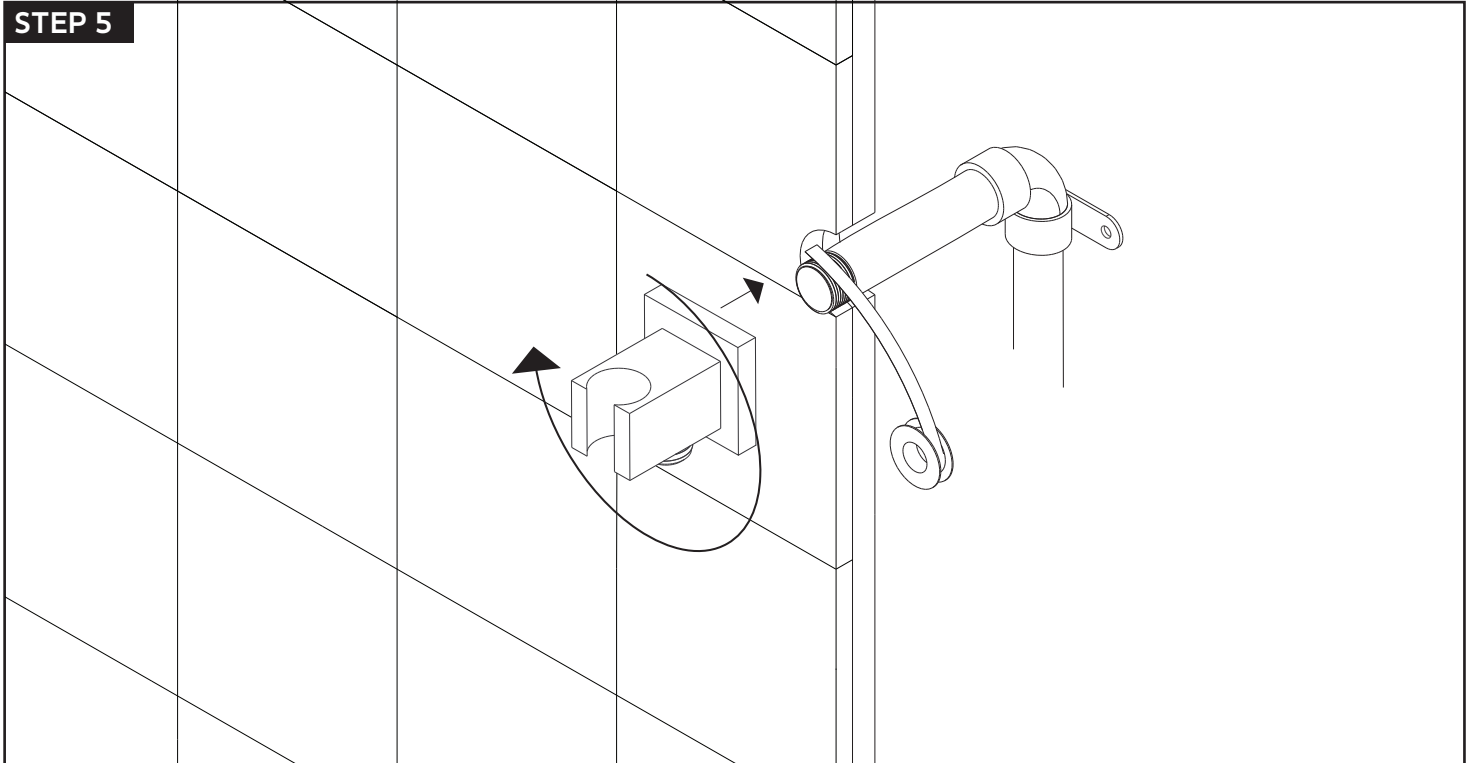


artos[®]

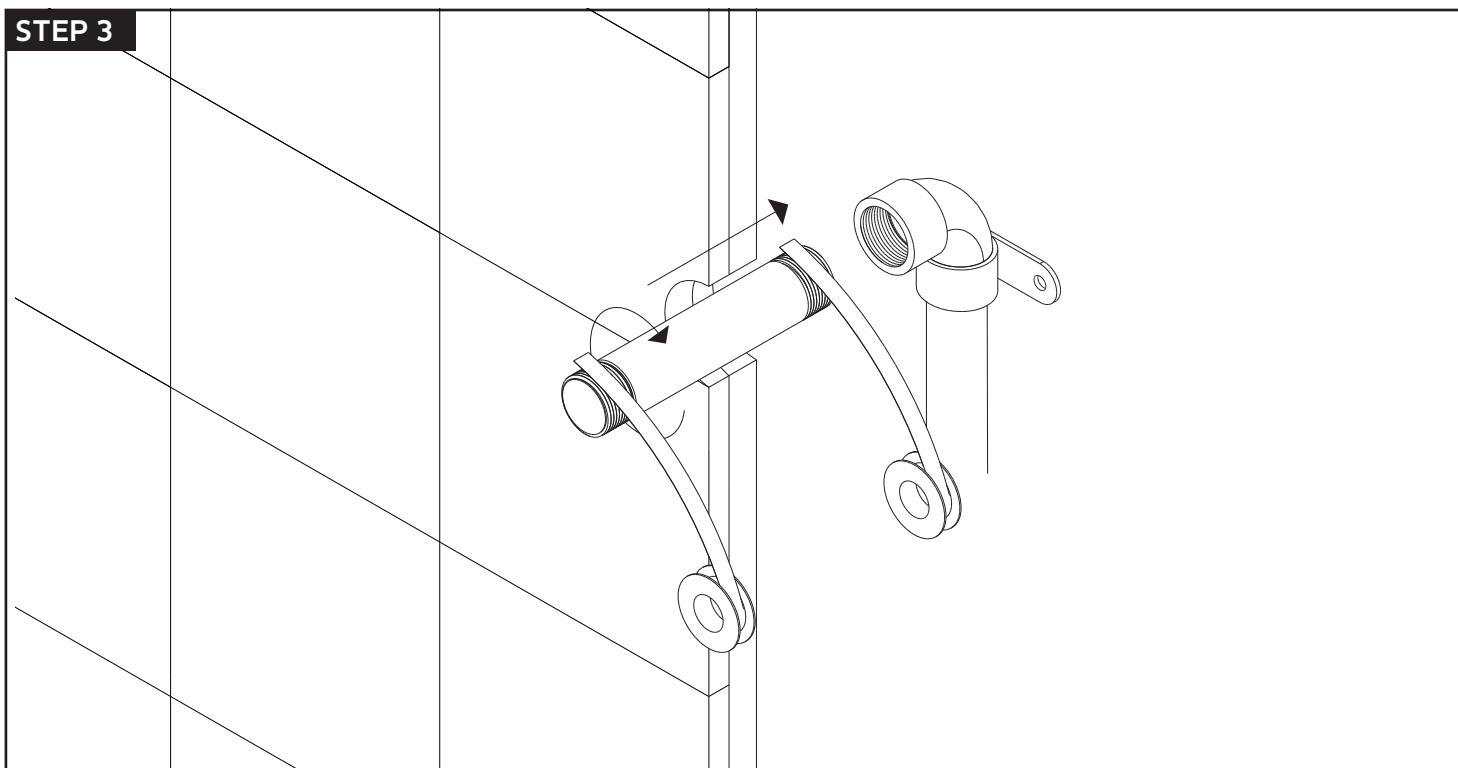
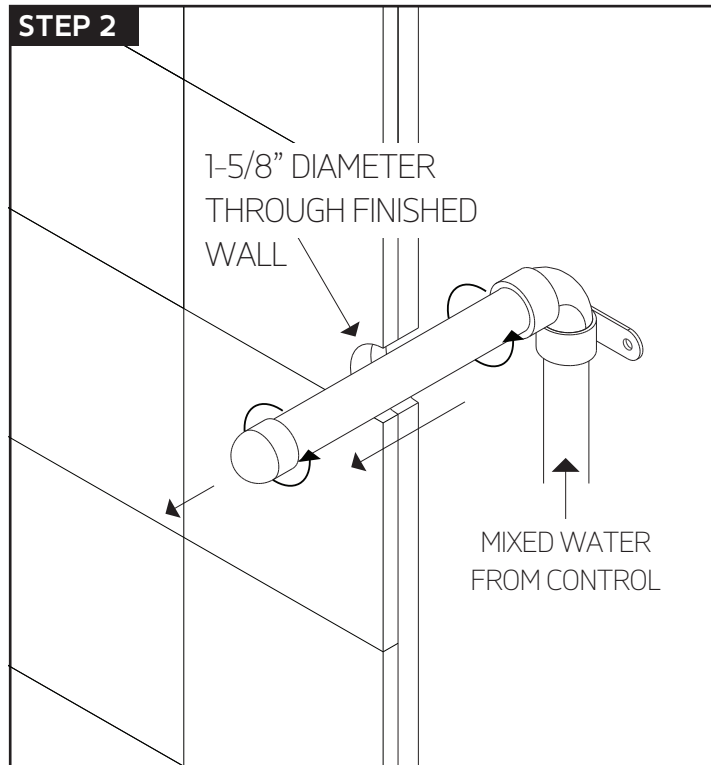
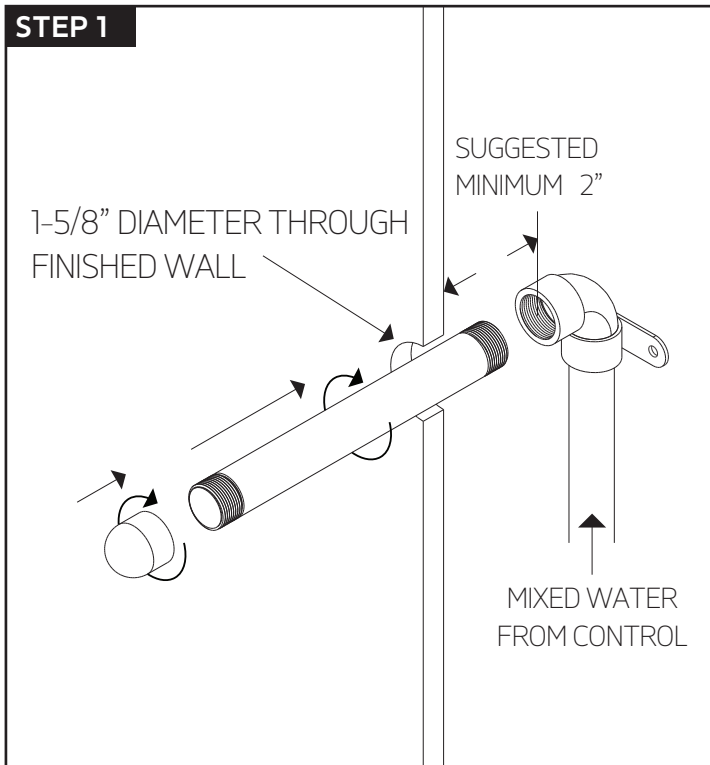
PS127

INSTALLATION STEPS

hand shower



body jet

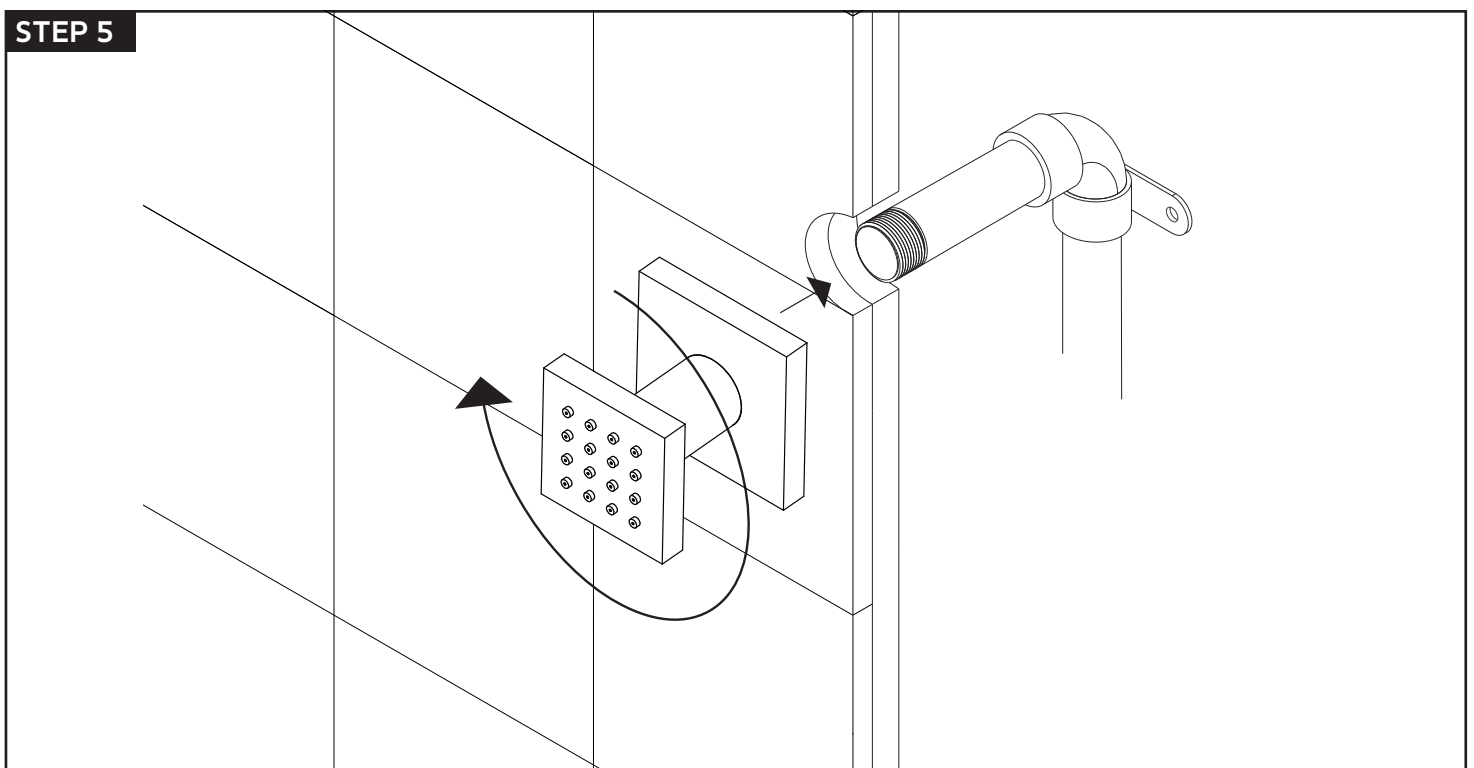
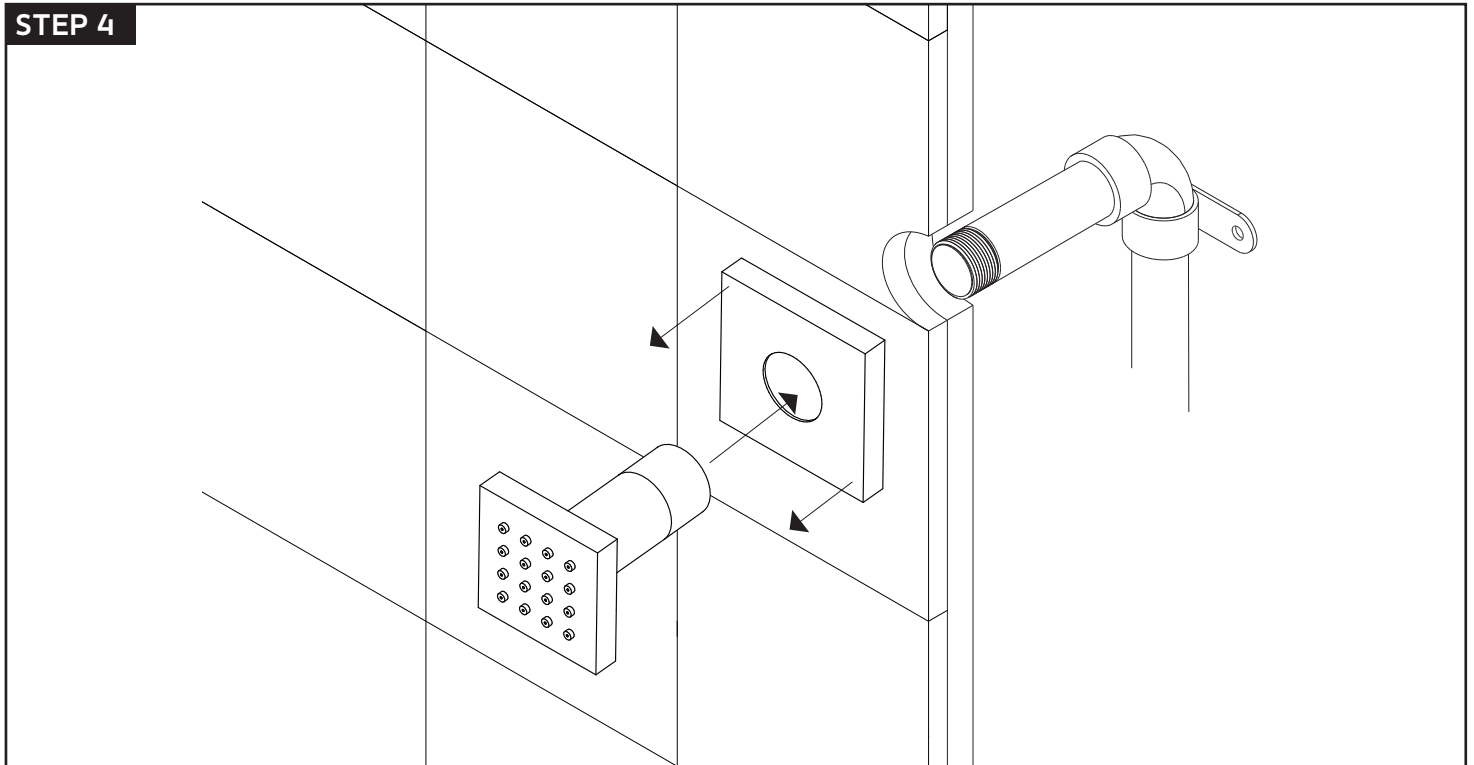


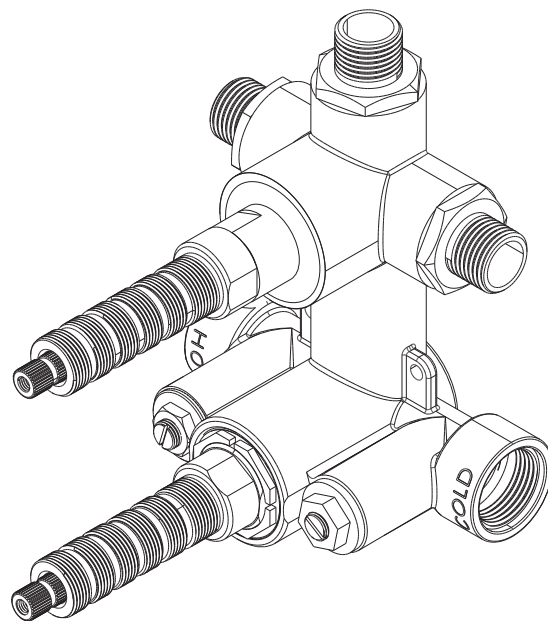
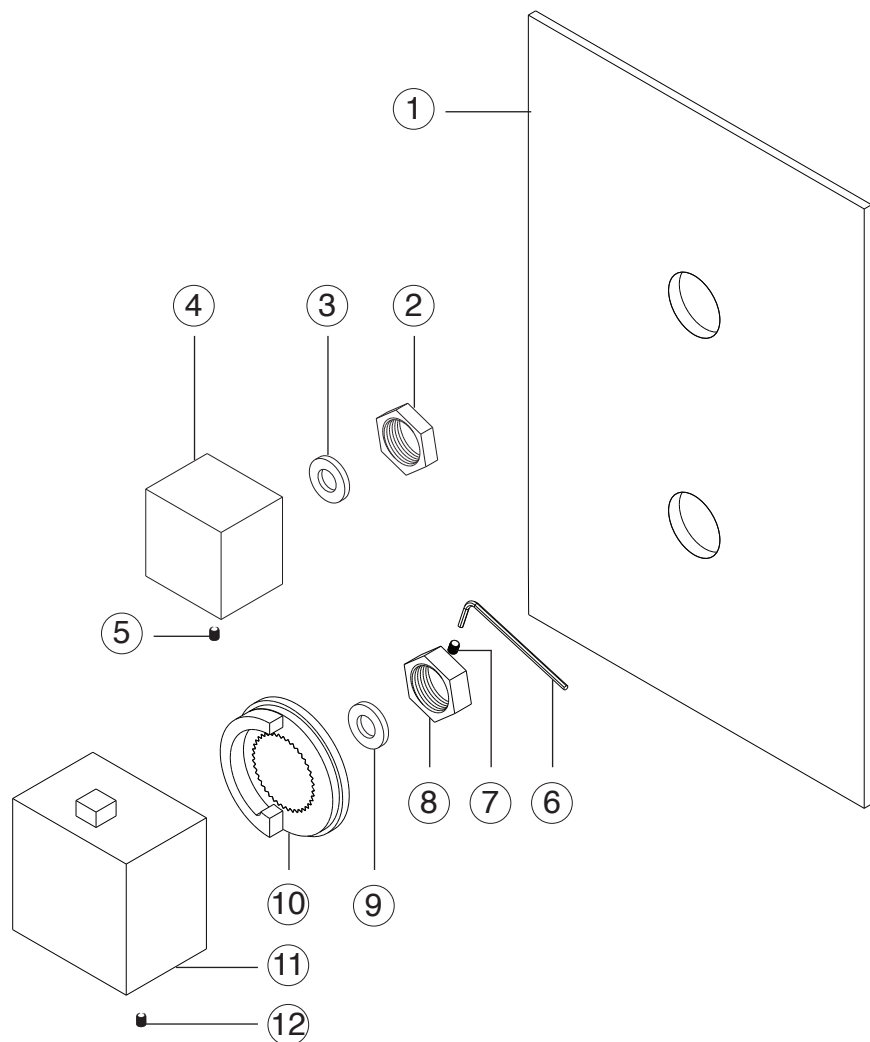
artos[®]

PS127

INSTALLATION STEPS

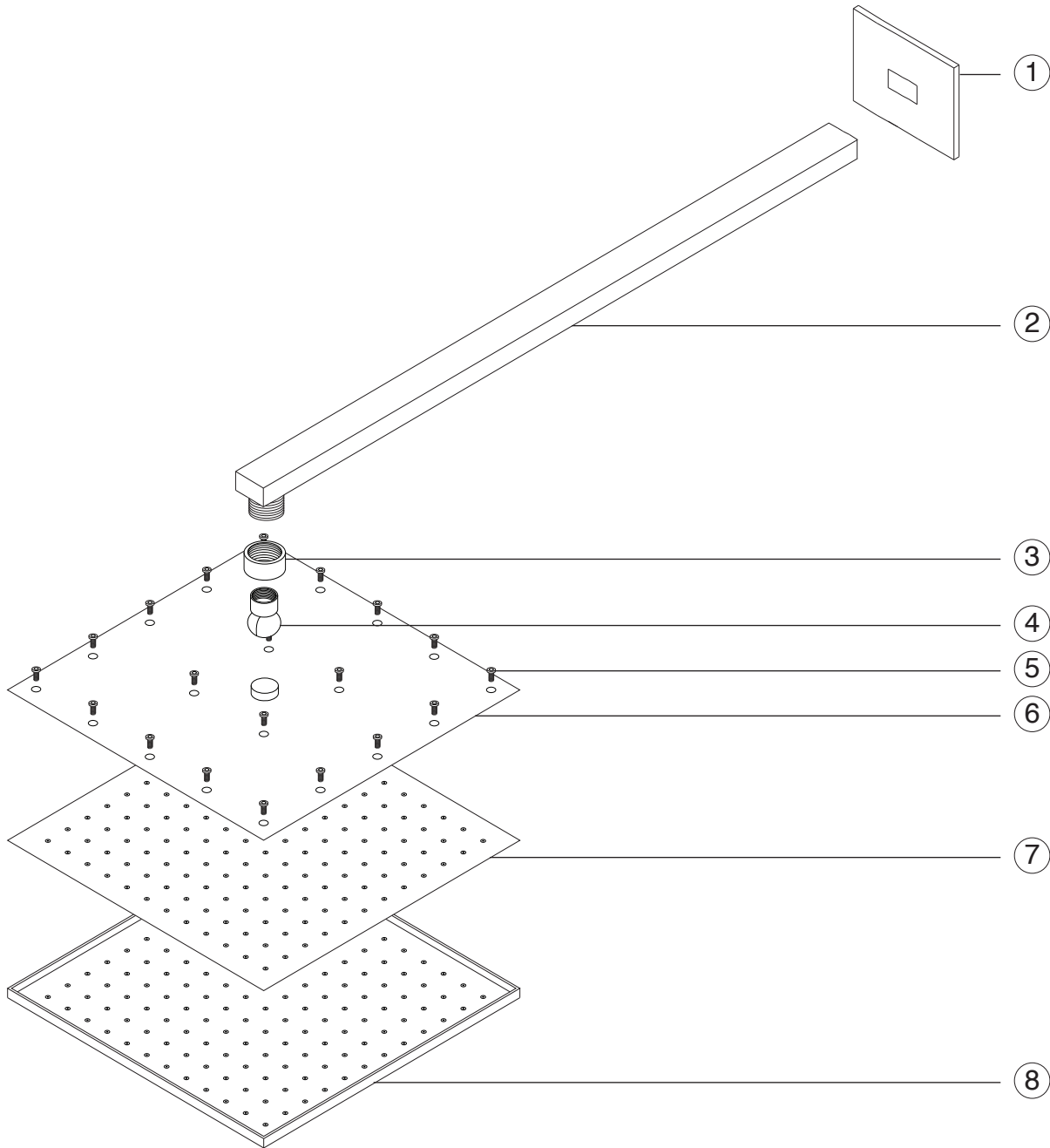
body jet



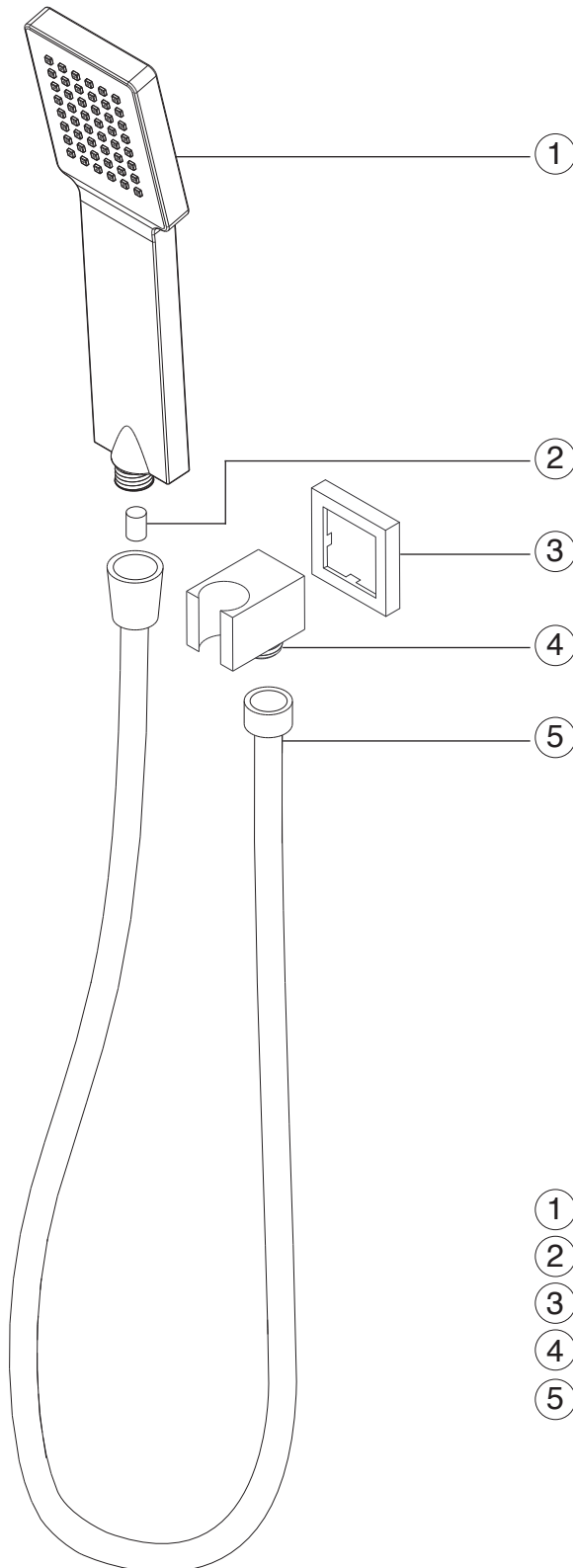


- ① ESCUTCHEON: F903A-9P
- ② DIVERTER LOCKING NUT
- ③ NYLON WASHER
- ④ DIVERTER HANDLE: F903A-10H
- ⑤ DIVERTER SET SCREW
- ⑥ ALLEN WRENCH
- ⑦ LOCKING NUT SET SCREW

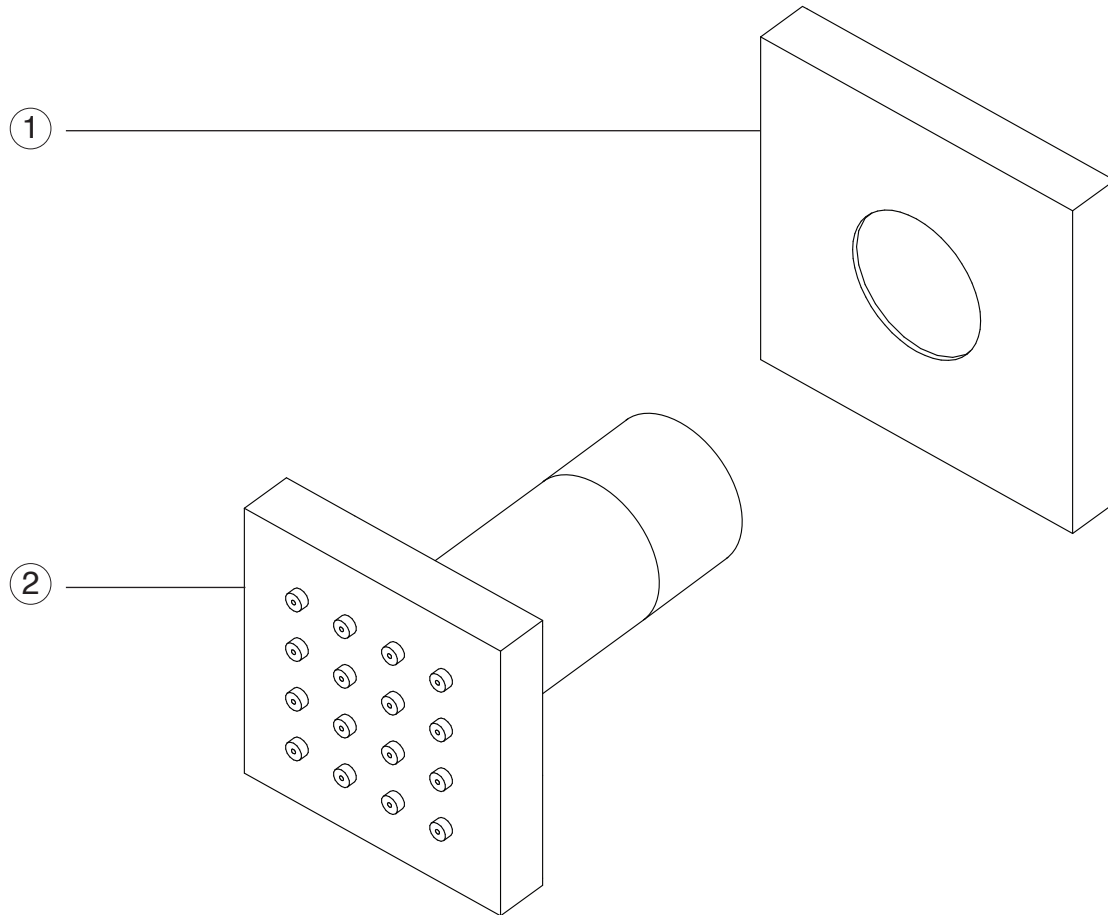
- ⑧ THERMOSTAT LOCKING NUT
- ⑨ NYLON WASHER
- ⑩ TEMPERATURE LIMITING RING
- ⑪ THERMOSTAT HANDLE: F904A-2H
- ⑫ THERMOSTAT SET SCREW



- ① **SHOWER ESCUTCHEON** F907-50 XP1
- ② **SHOWER ARM** F907-50 XP2
- ③ **SWIVEL ARM SECURING NUT** F907-50 XP3
- ④ **SWIVEL ARM** F907-50 XP4
- ⑤ **SHOWER HEAD SCREWS** F907-50 XP5
- ⑥ **SHOWER HEAD TOP** F907-50 XP6
- ⑦ **RUBBER MATRIX** F907-50 XP7
- ⑧ **SHOWER HEAD BOTTOM** F907-50 XP8



- ① **HAND SHOWER:** F902-15
- ② **HAND SHOWER CHECK VALVE**
- ③ **ESCUTCHEON PLATE**
- ④ **SHOWER OUTLET ELBOW AND HOLDER:** FSC1002
- ⑤ **SHOWER HOSE:** F902-8



① ESCUTCHEON

② BODY JET