

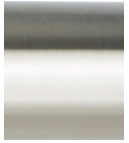
# artos<sup>®</sup>

## PS120

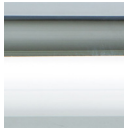
## INSTALLATION GUIDE

premier series shower set

BRUSHED NICKEL (BN)



CHROME (CH)



BLACK (BK)



SATIN BRASS (SB)

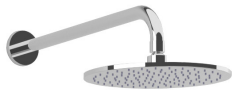


# artos<sup>®</sup>

PS120

## OPERATING SPECIFICATIONS

premier series shower set



### FEATURES

Solid Brass

3-Outlets

### INCLUDES

F903B-58TK

F907-5

F907-60

F908-4



### OPERATING PRESSURE

Minimum: 15 psi

Maximum: 75 psi

Above 90psi it may be necessary to install a pressure reducer

### OPERATING TEMPERATURE

Maximum: 176°

### FLOW CAPACITY

Hand Shower: 1.8 USGPM

Shower Head: 1.8 USGPM

Tub Filler: 6.0 USGPM



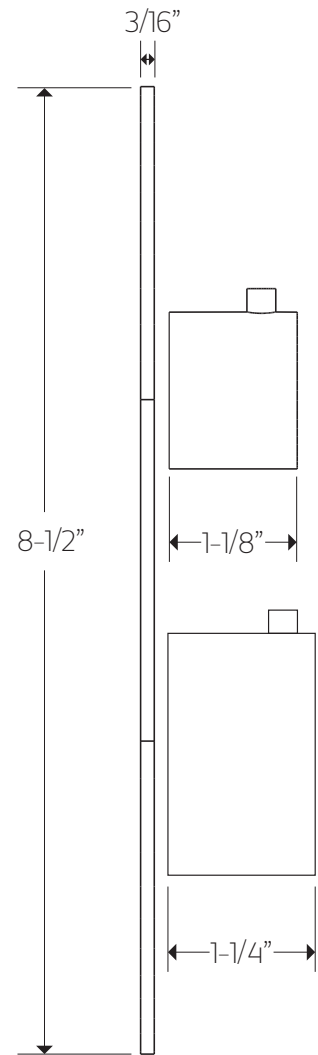
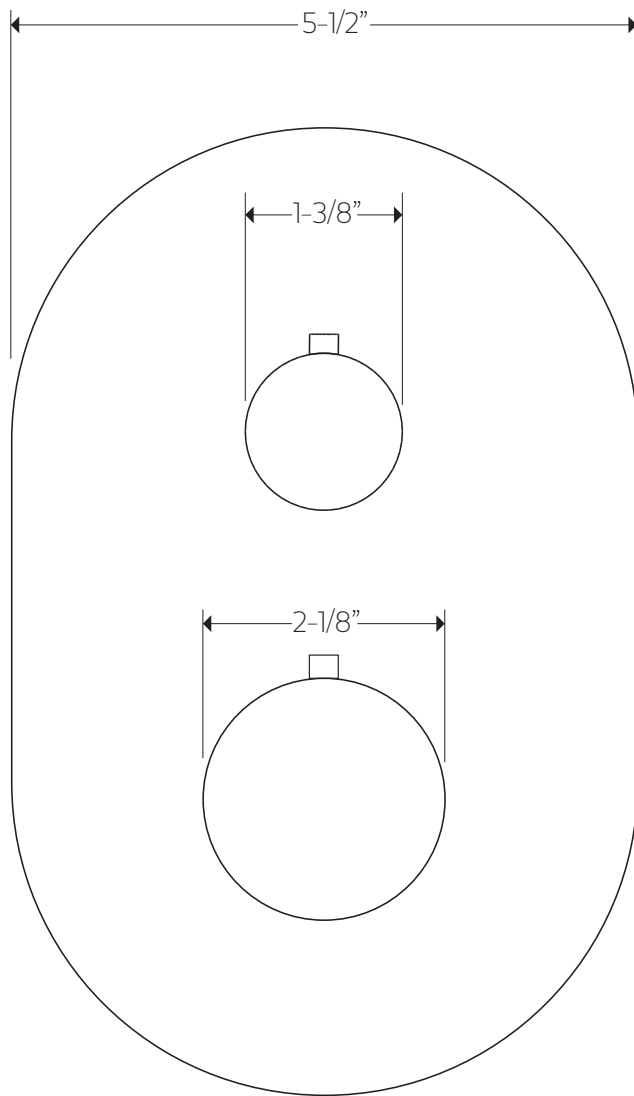
# artos<sup>®</sup>

## PS120

premier series shower set

### PRODUCT DIMENSIONS

for trim kit



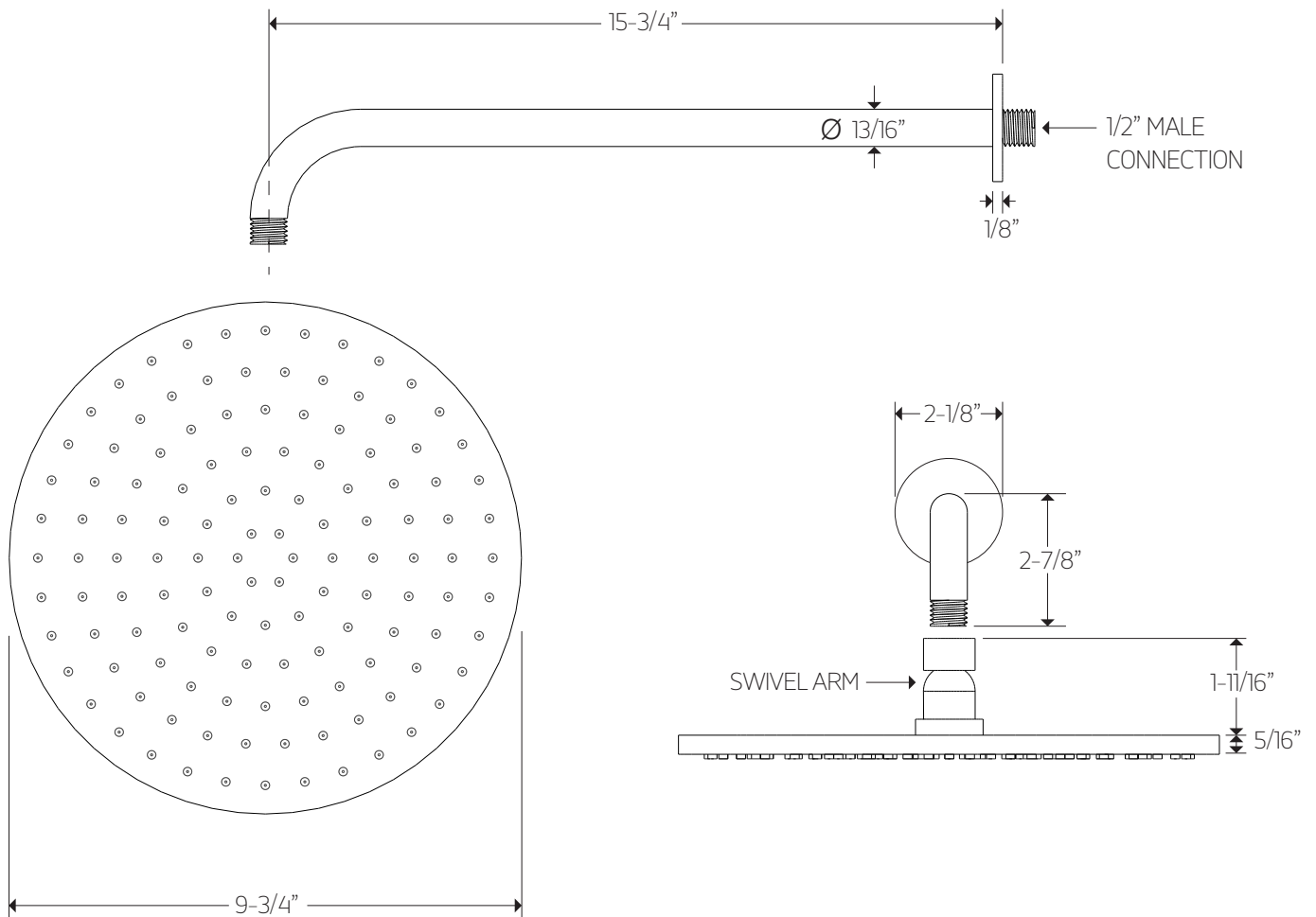
# artos<sup>®</sup>

## PS120

premier series shower set

## PRODUCT DIMENSIONS

for shower head



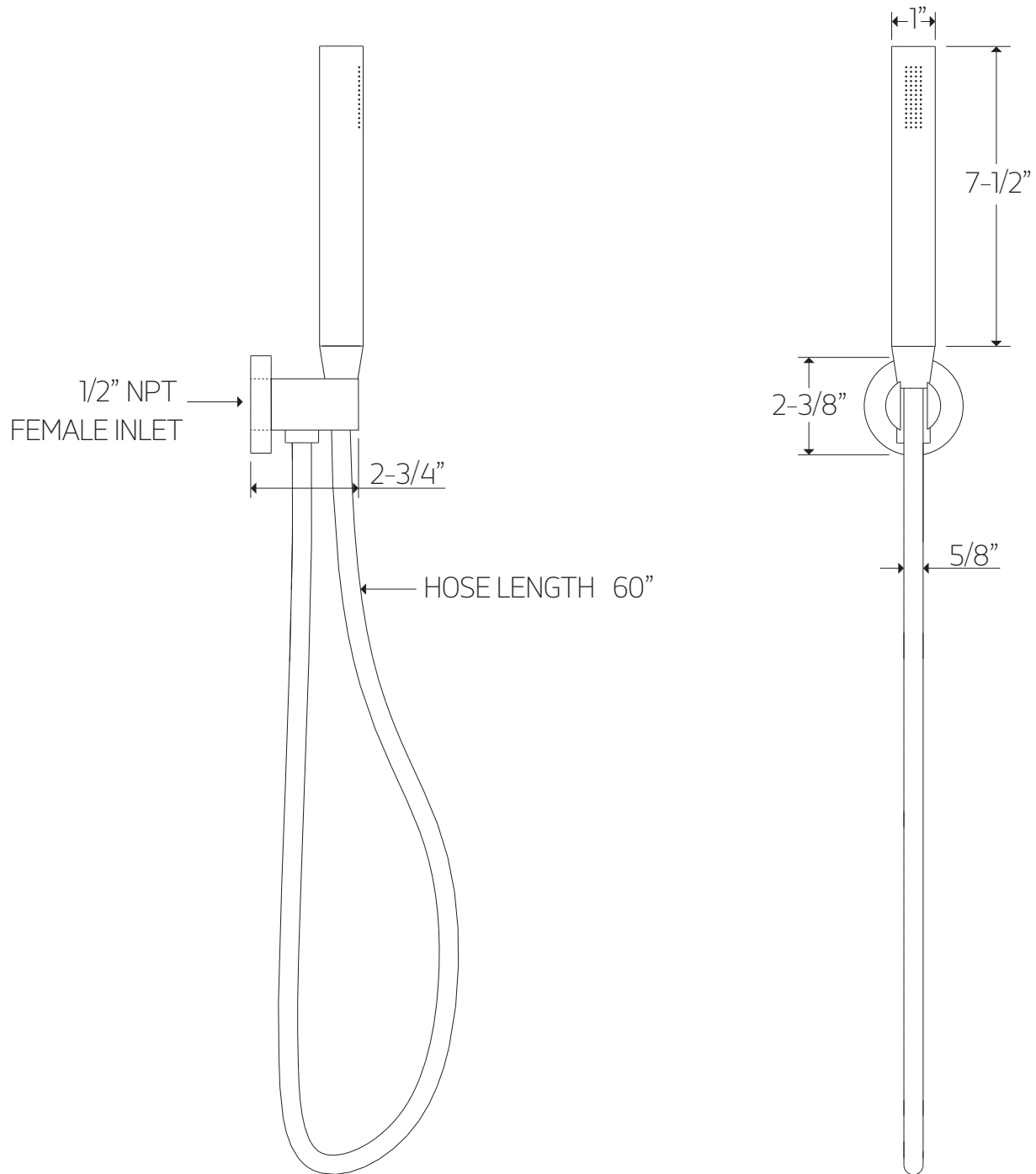
# artos<sup>®</sup>

PS120

premier series shower set

## PRODUCT DIMENSIONS

for hand shower



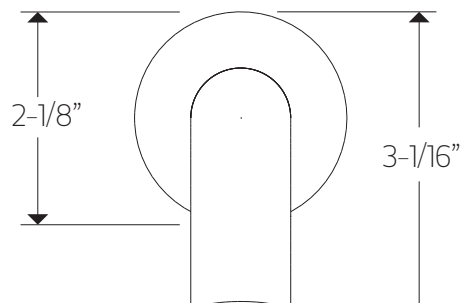
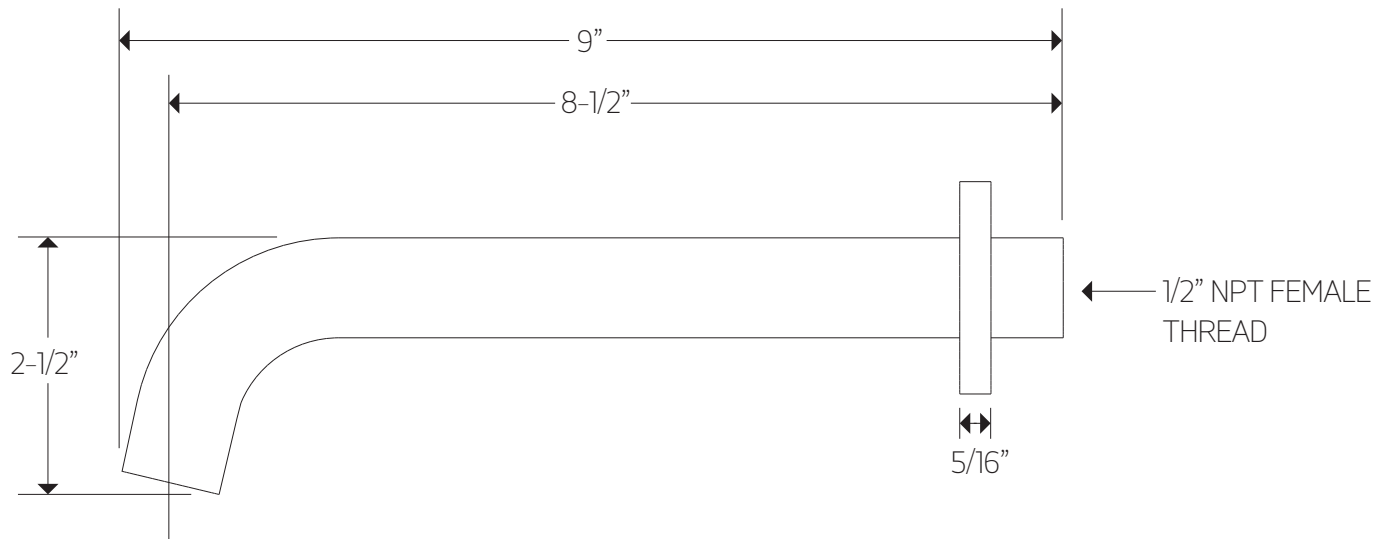
# artos<sup>®</sup>

PS120

## PRODUCT DIMENSIONS

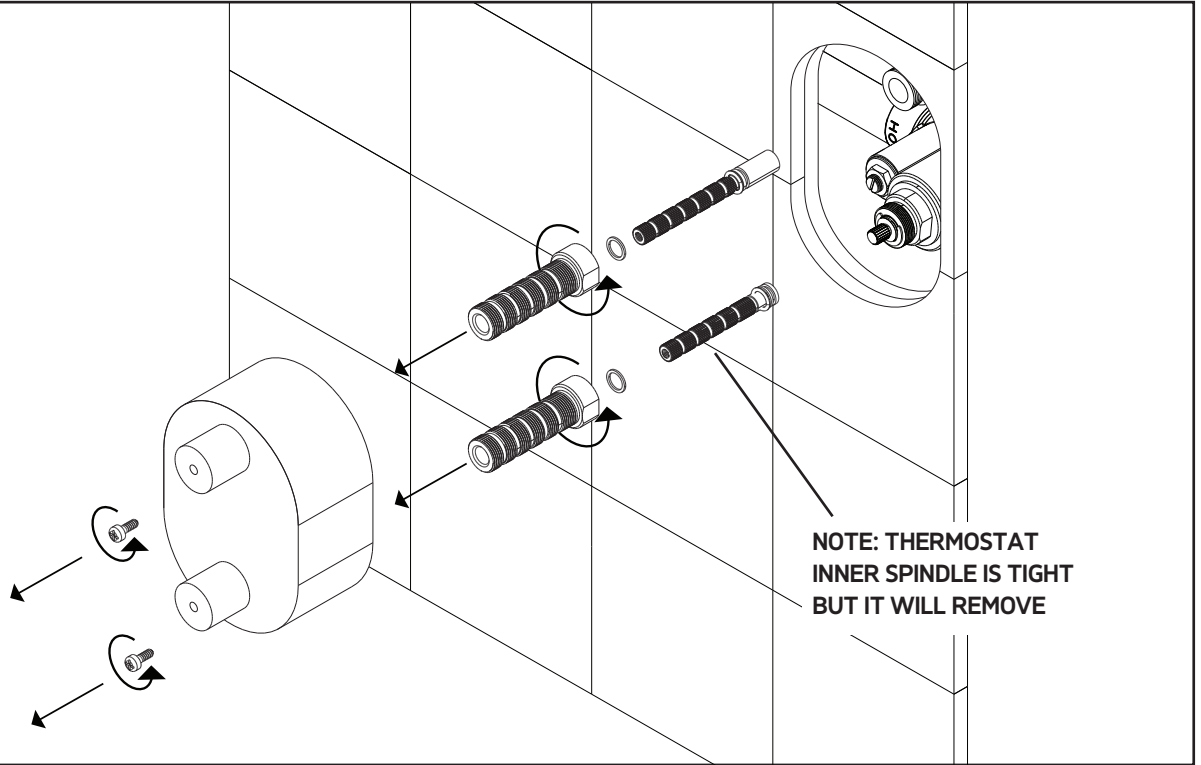
premier series shower set

for tub filler



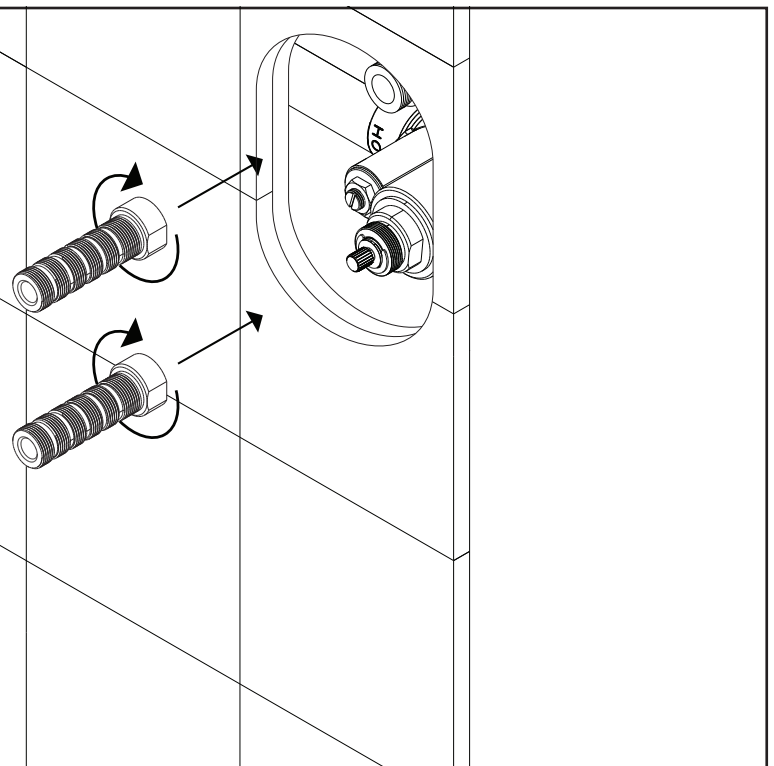
valve trim

STEP 1

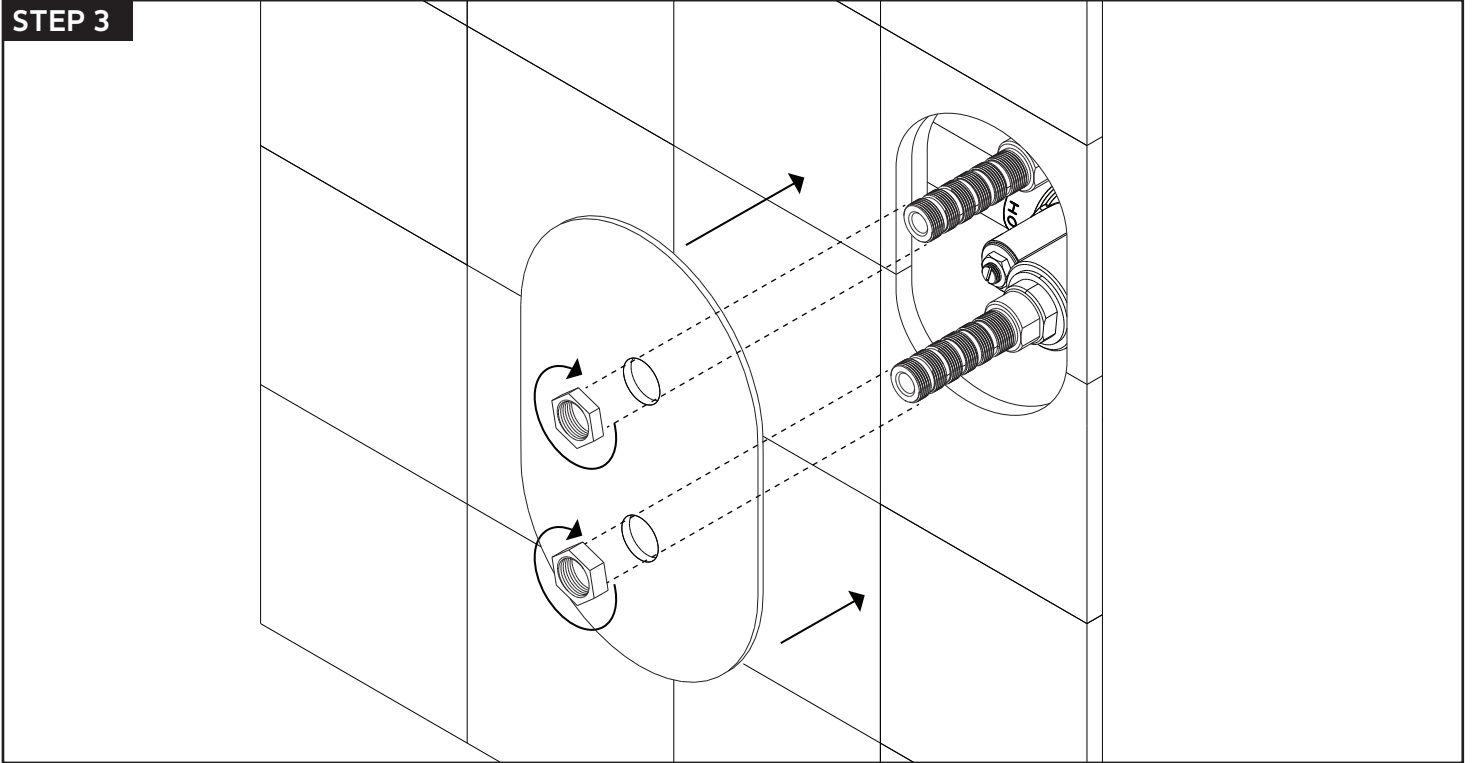


STEP 2

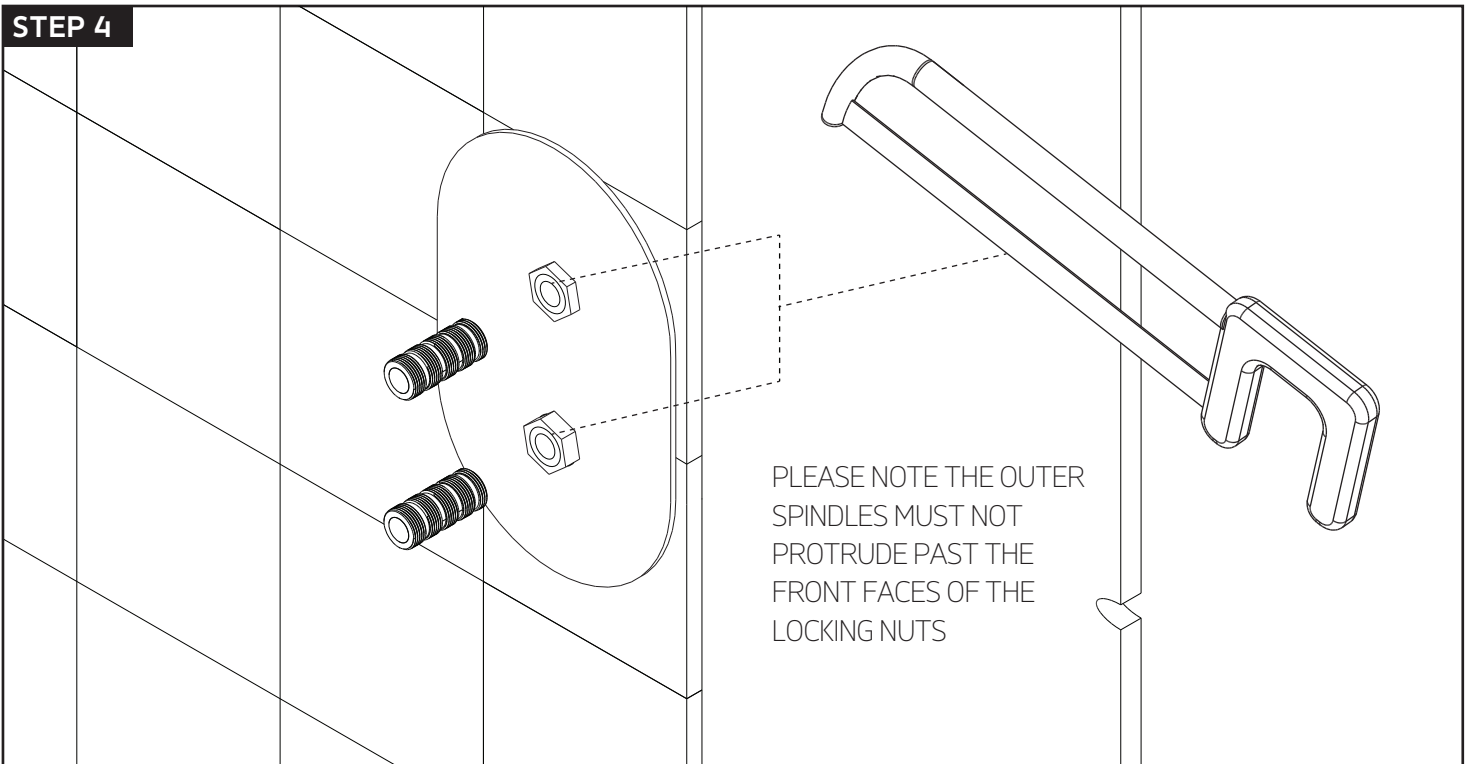
REFIT OUTER SPINDLES ONLY



#### STEP 3

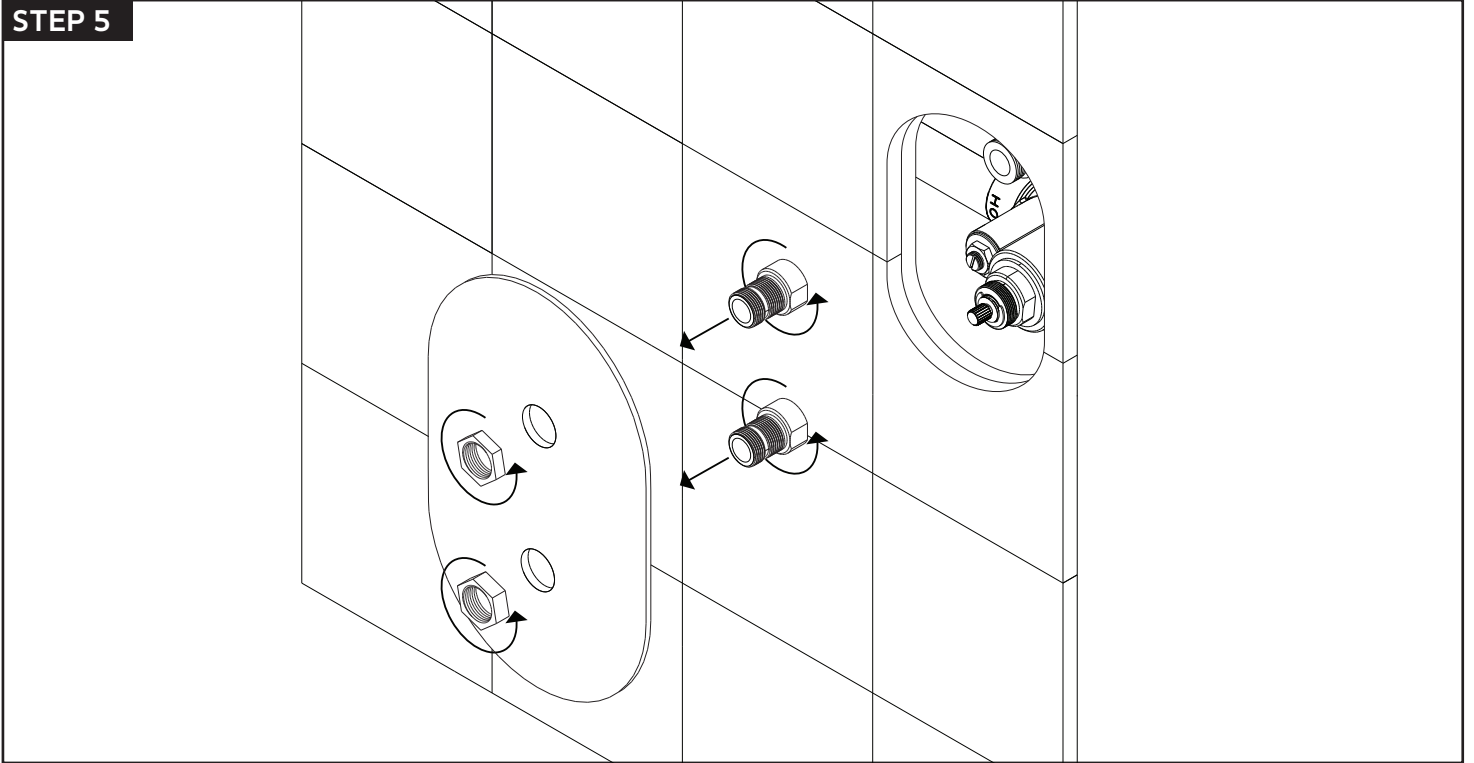


#### STEP 4

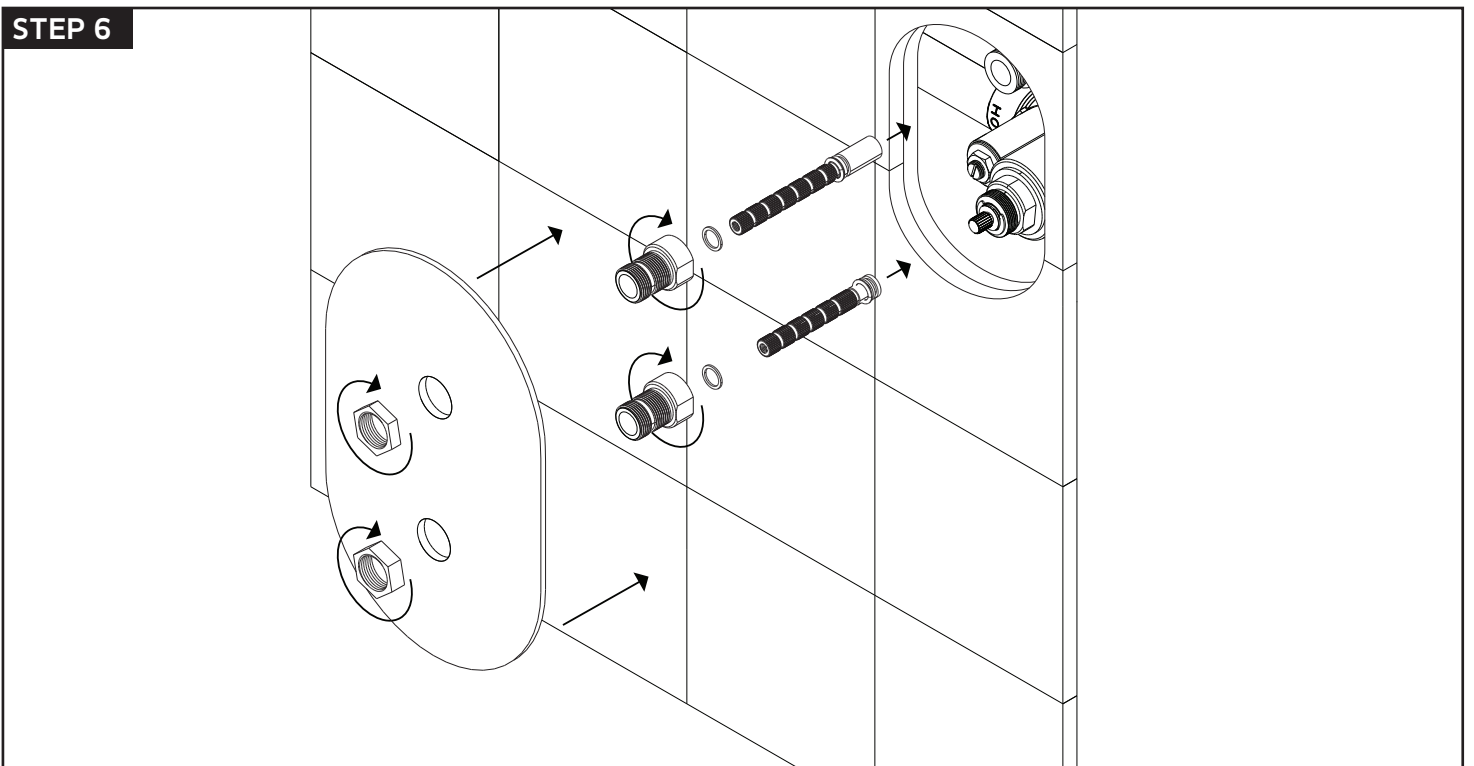


# INSTALLATION STEPS

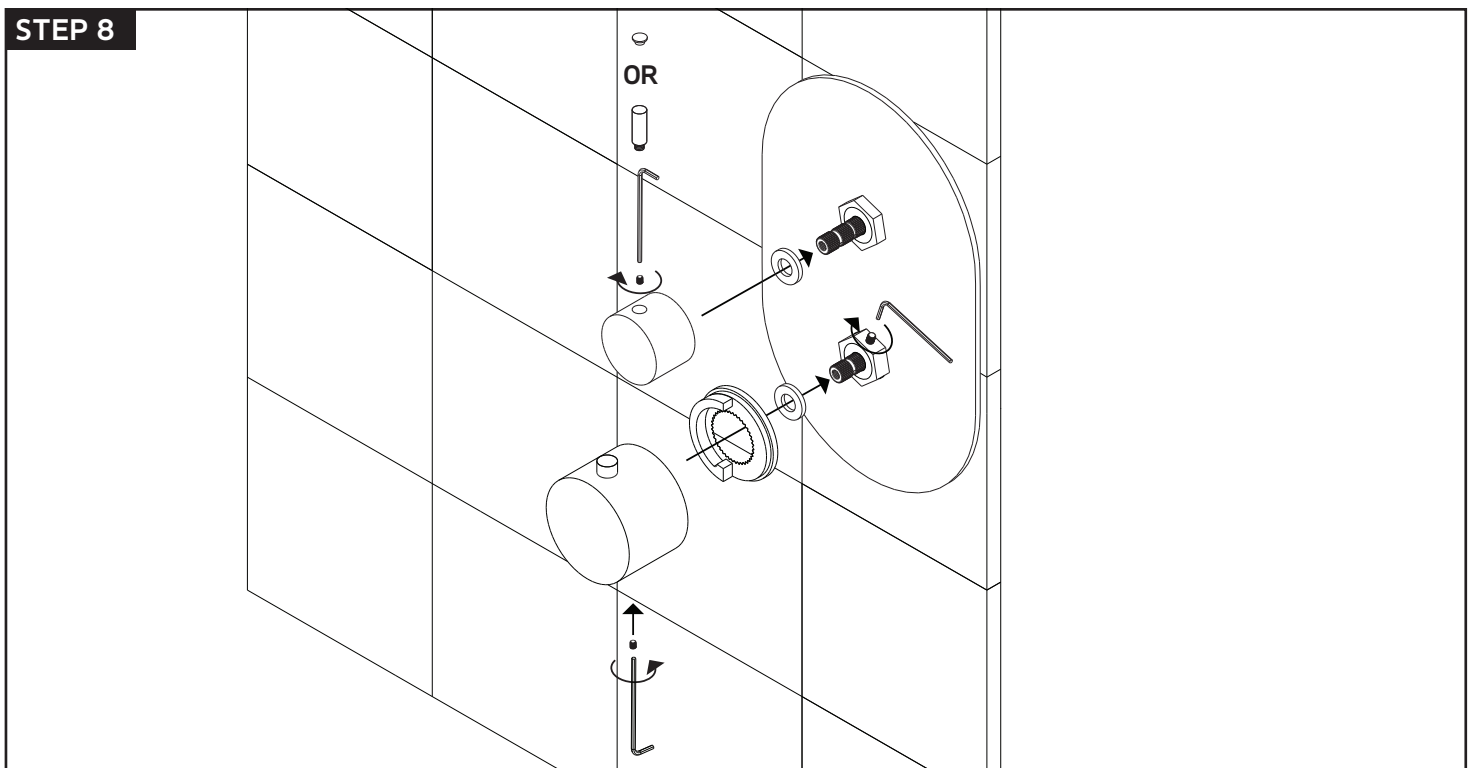
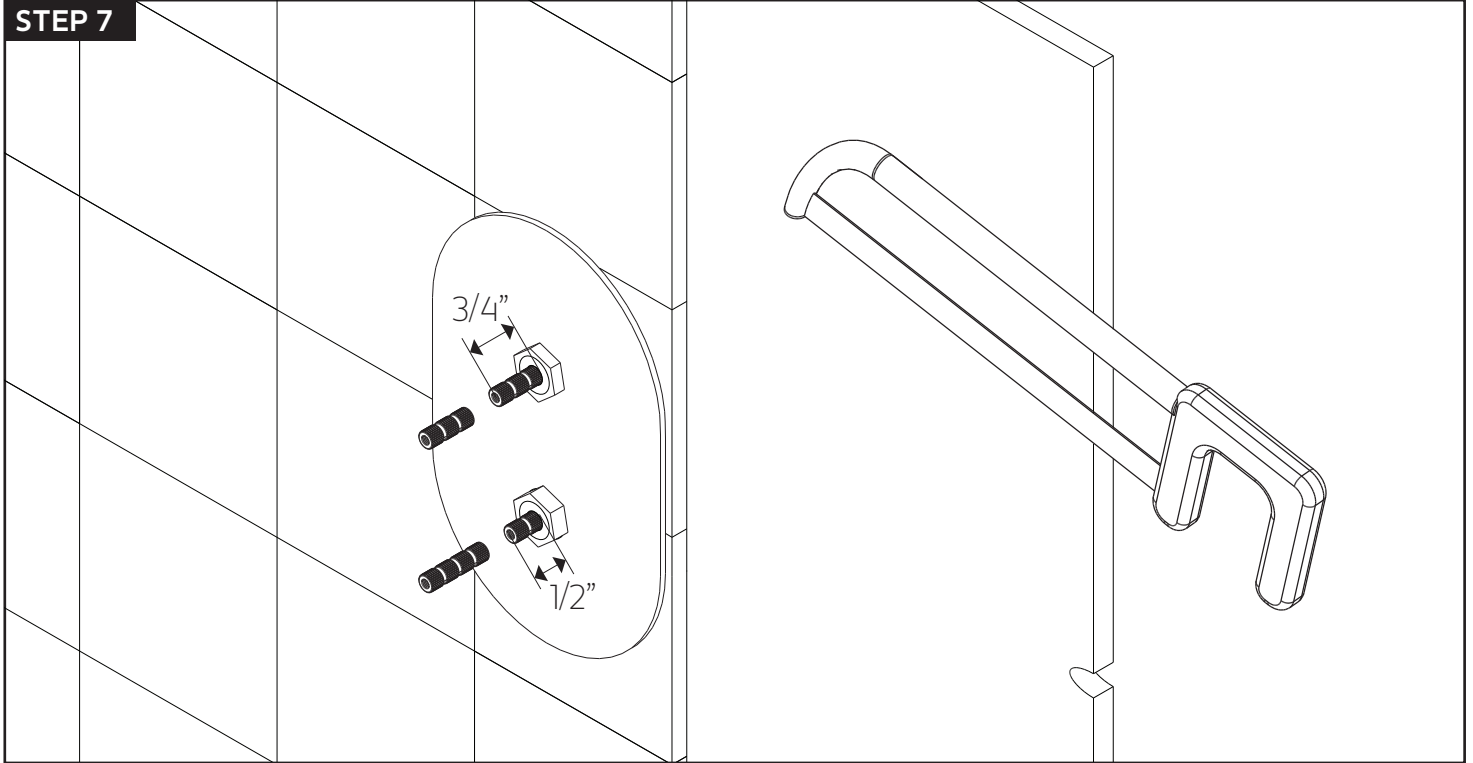
## STEP 5



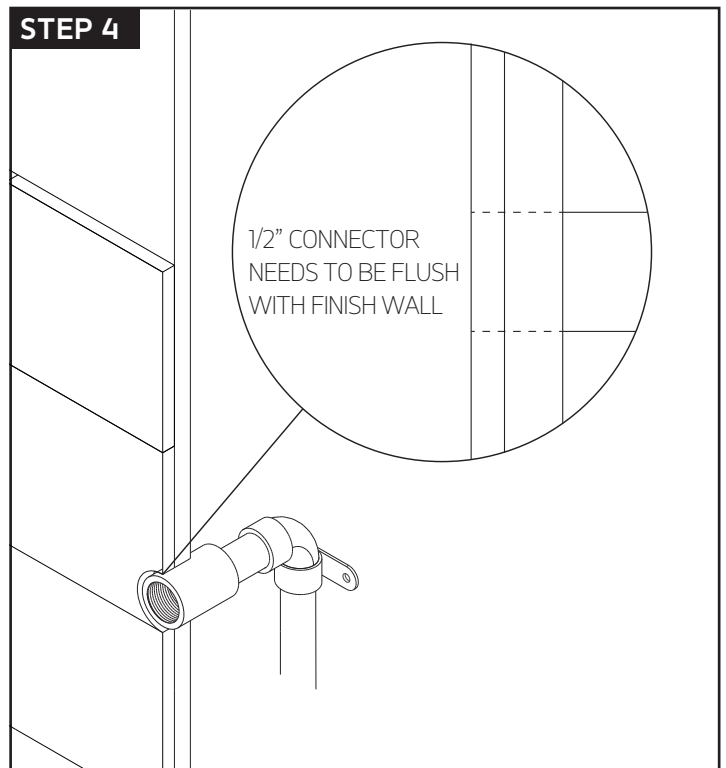
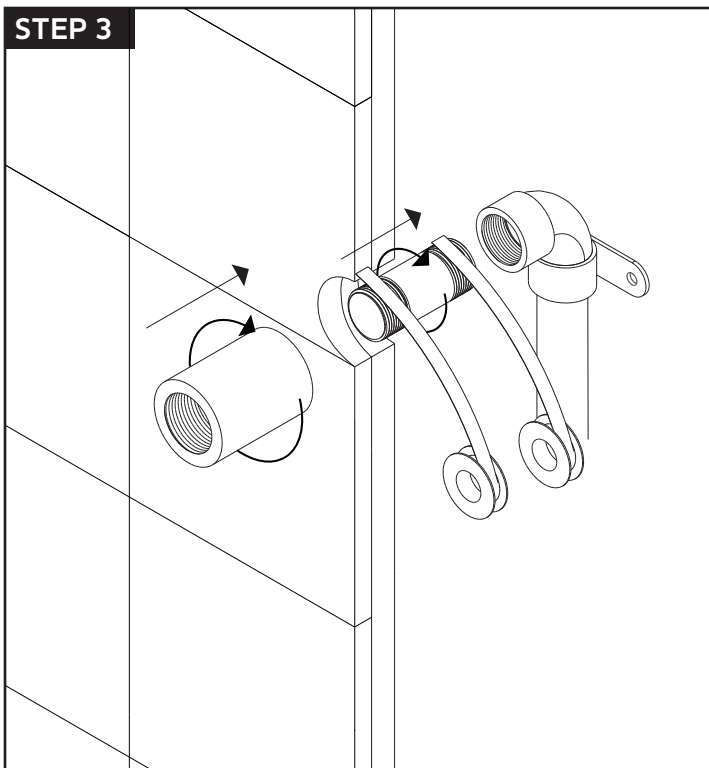
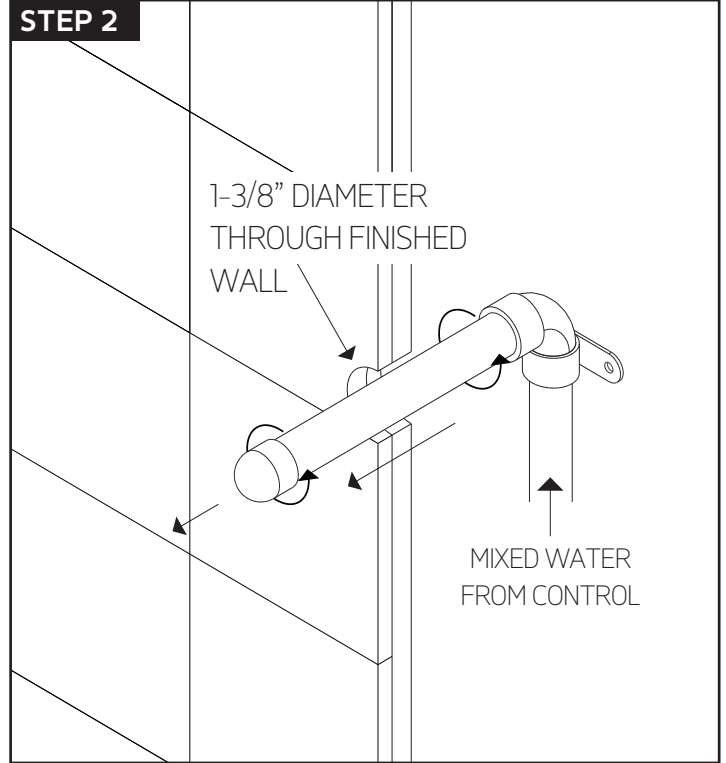
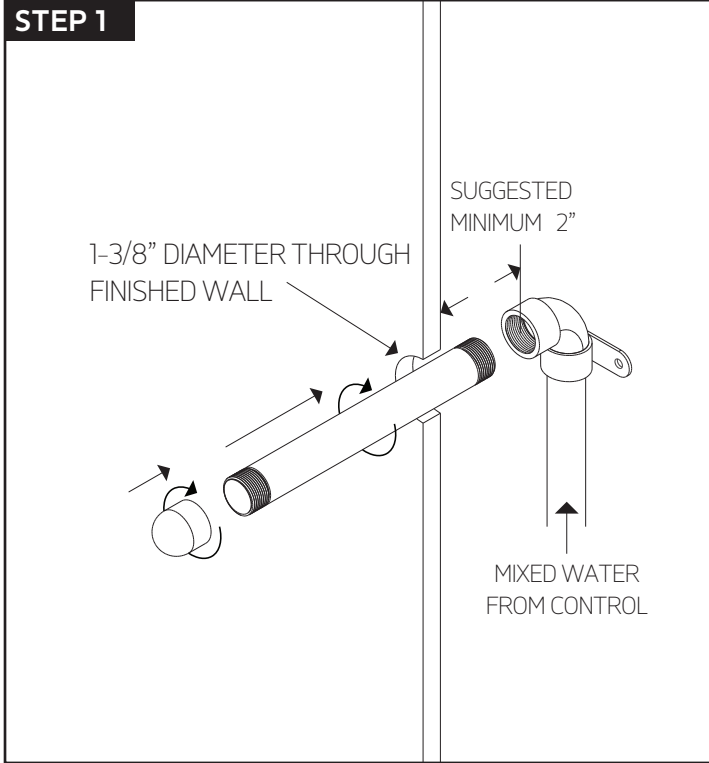
## STEP 6



valve trim



shower head

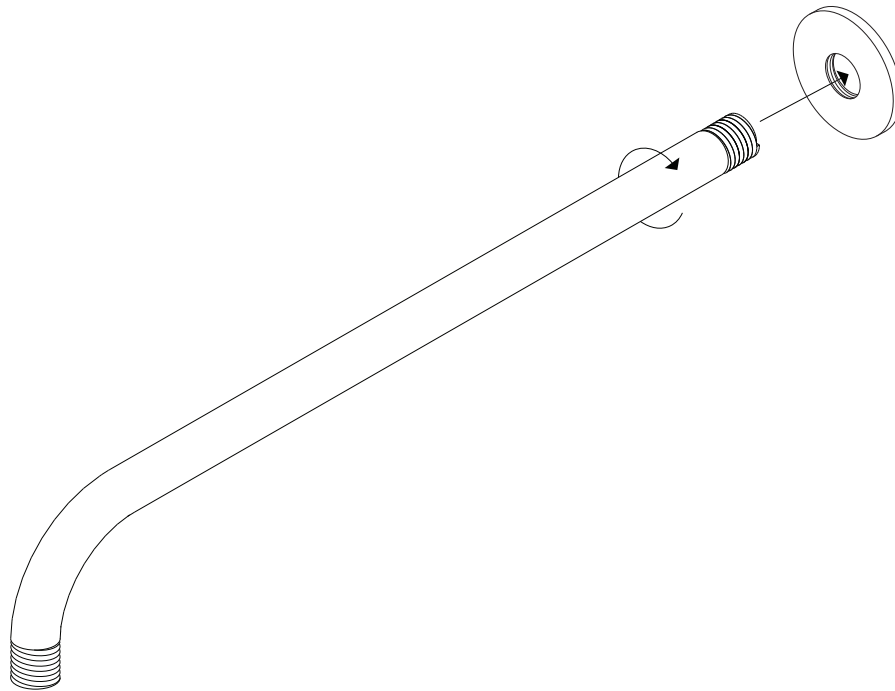


# artos<sup>®</sup>

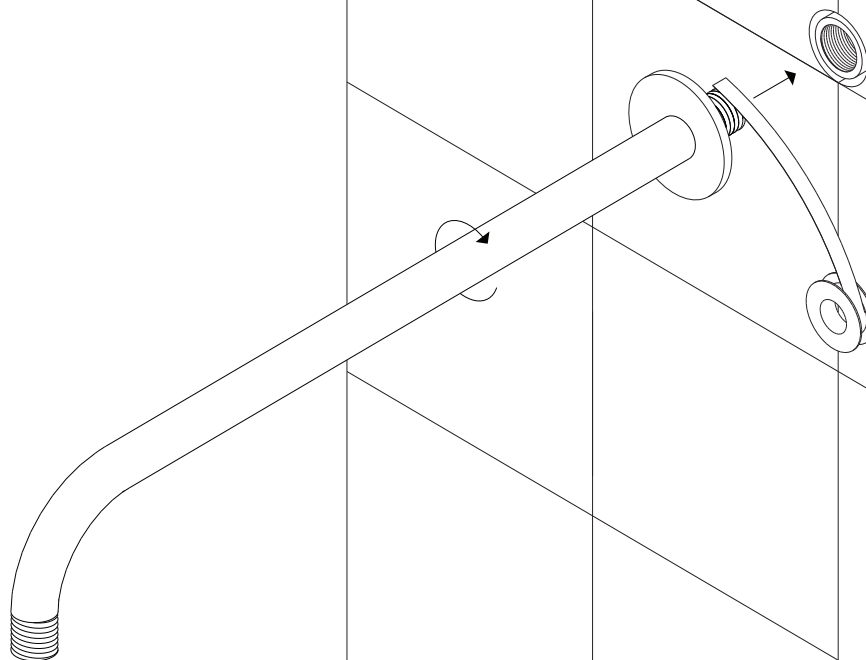
PS120

shower head

**STEP 5**

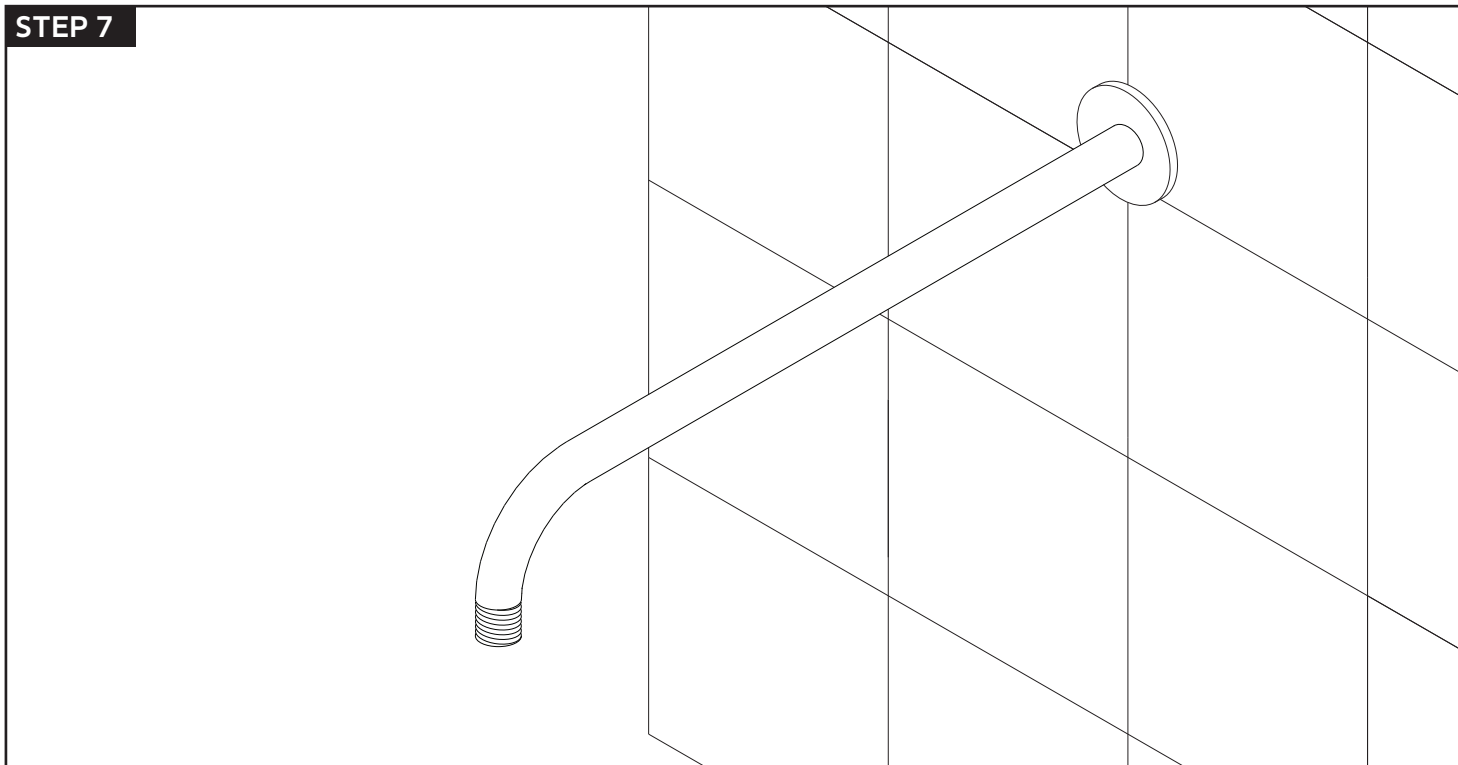


**STEP 6**

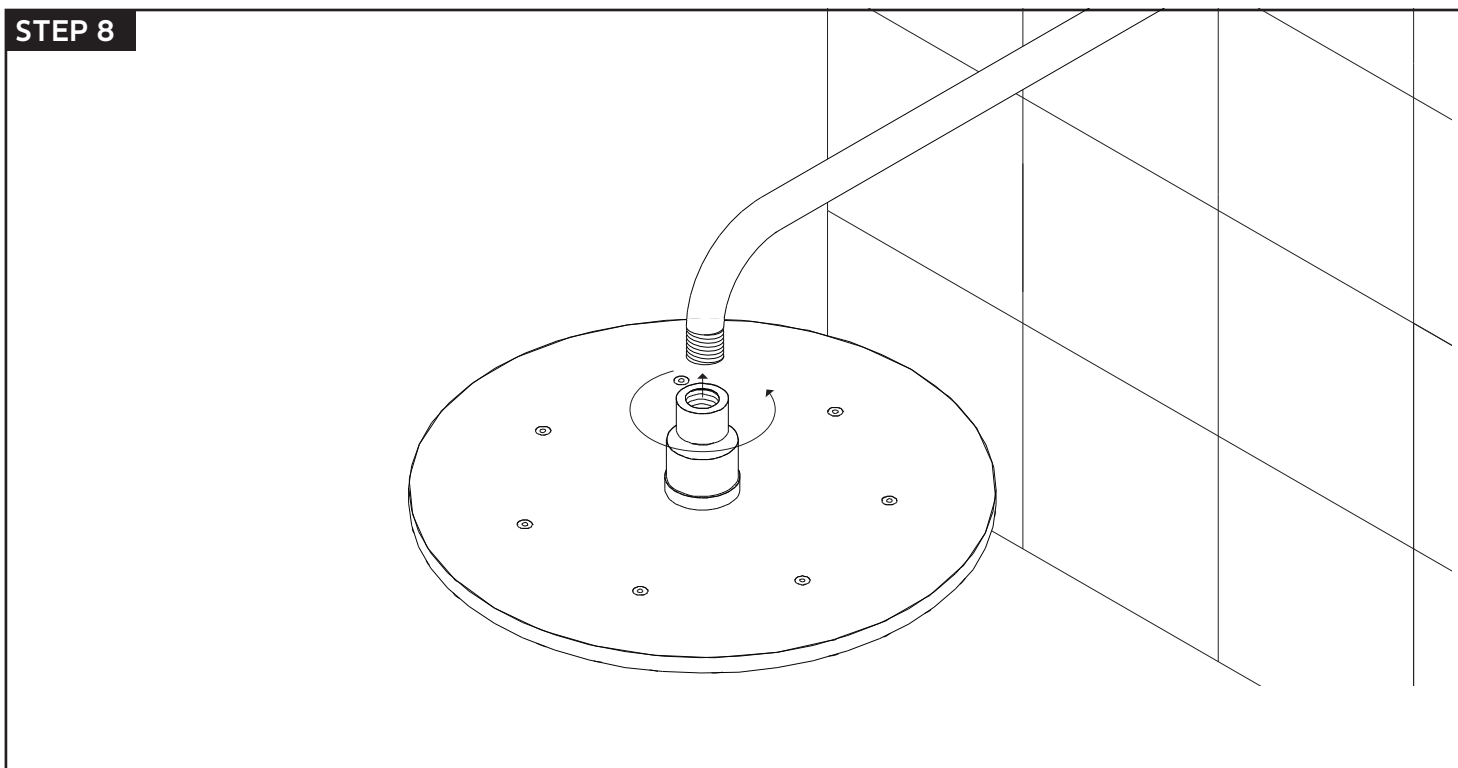


# INSTALLATION STEPS

## STEP 7



## STEP 8

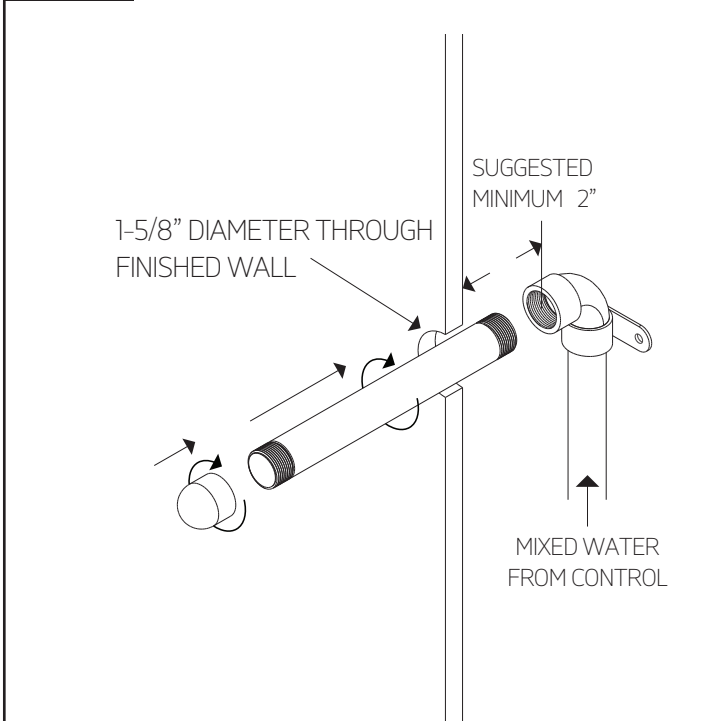


# artos<sup>®</sup>

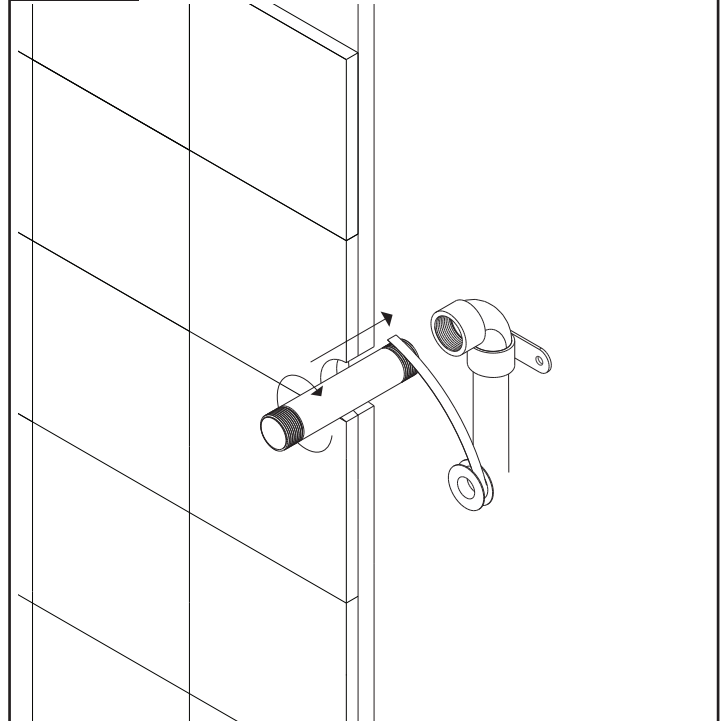
PS120

hand shower

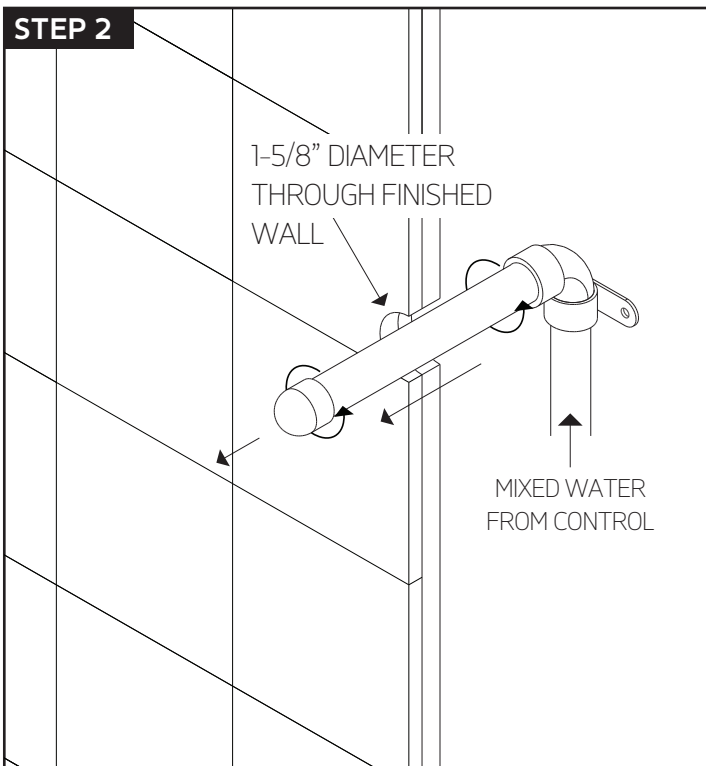
## STEP 1 \*ALL DIMENSIONS ARE APPROXIMATE



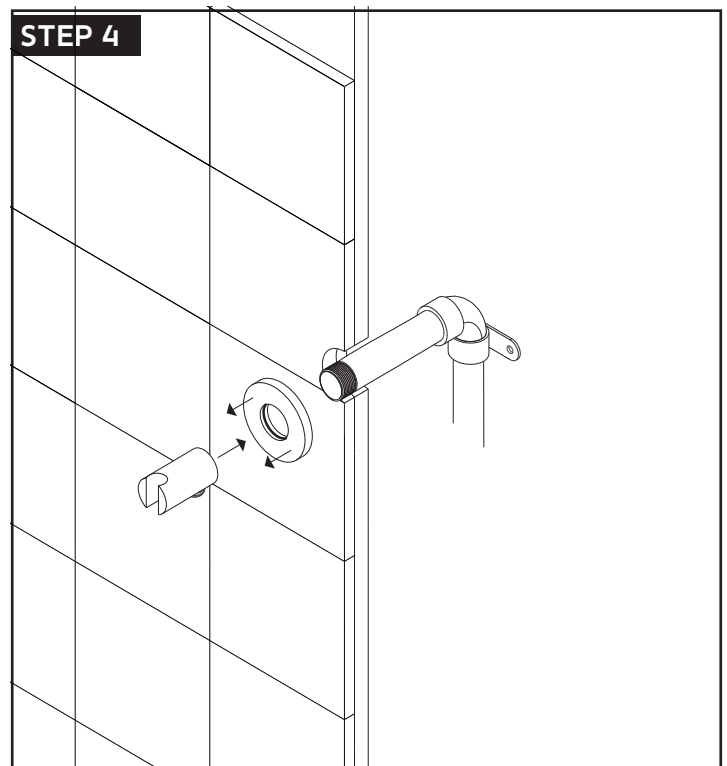
## STEP 3



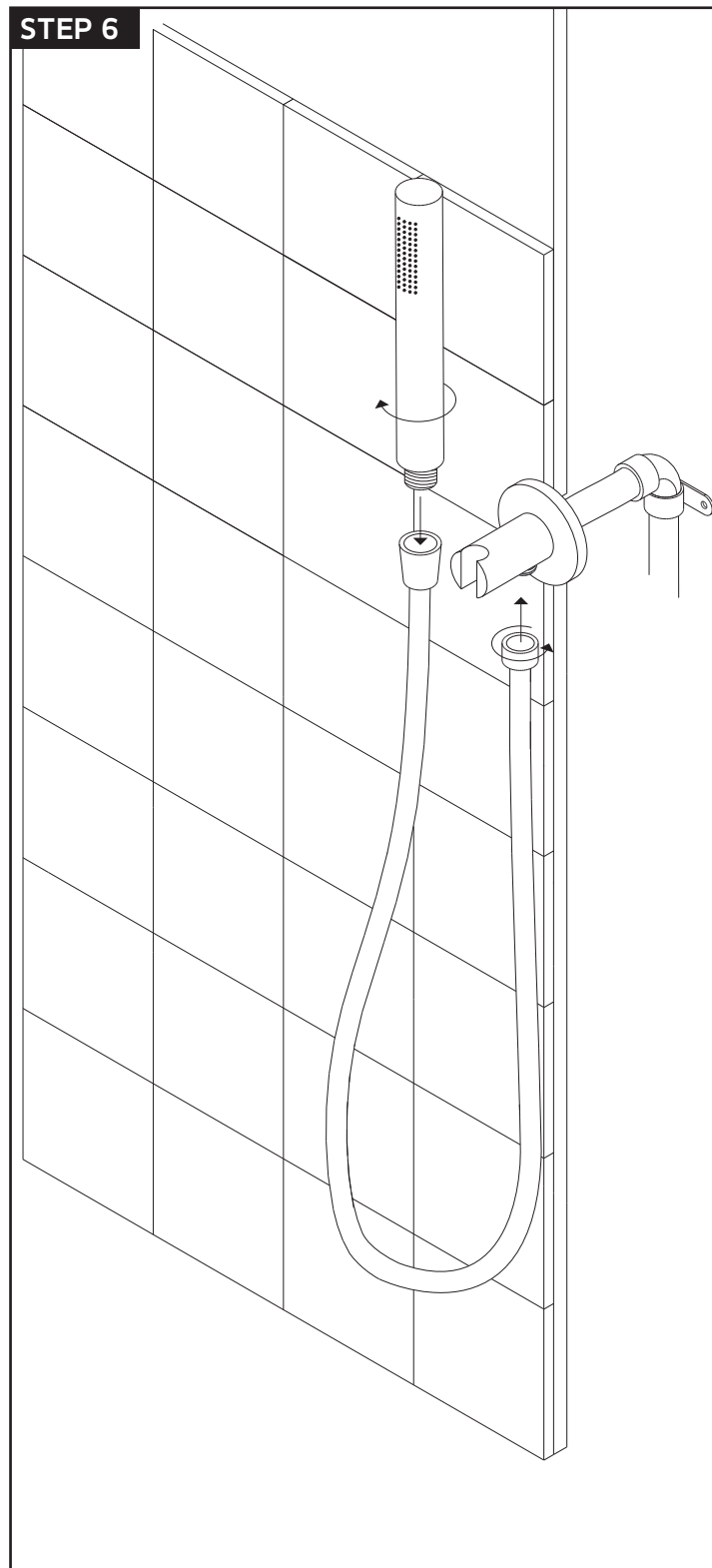
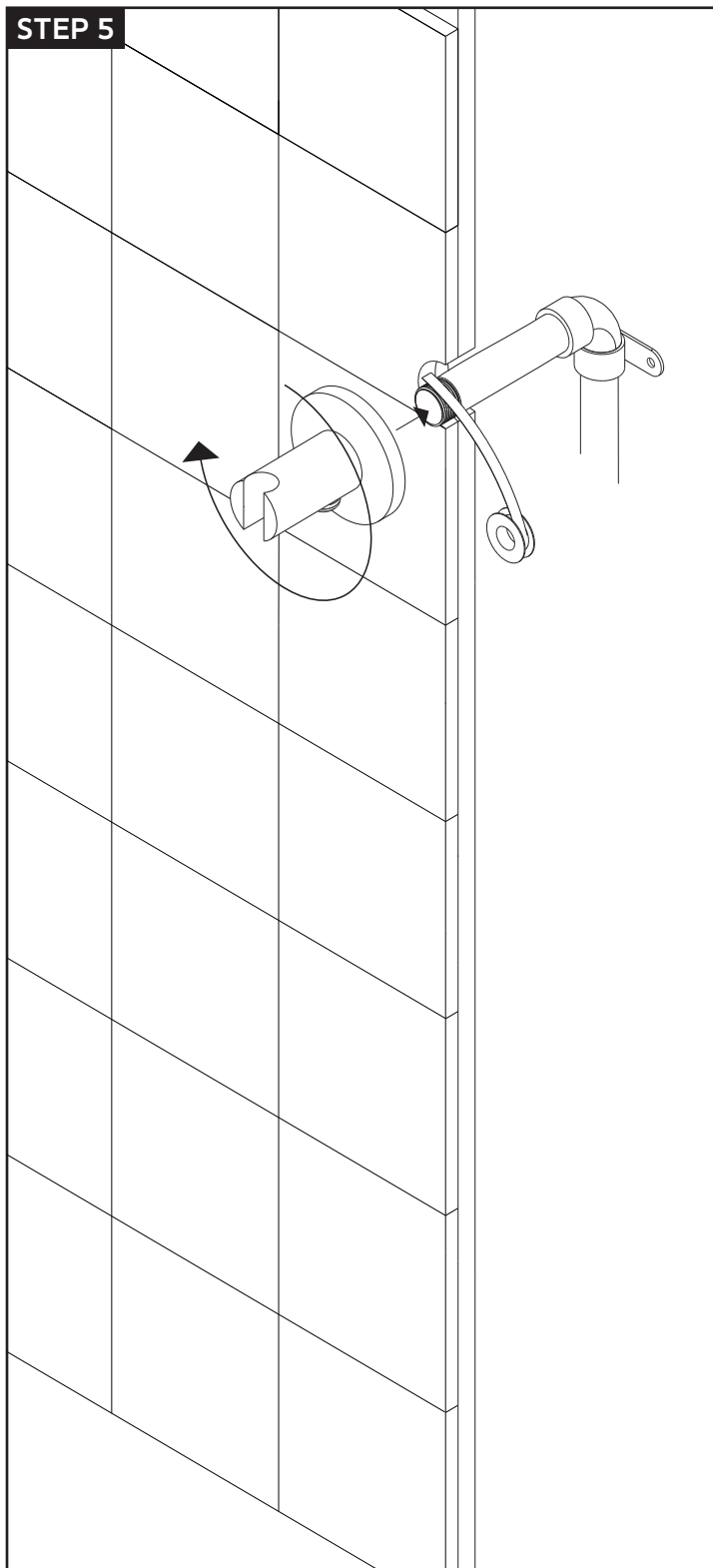
## STEP 2



## STEP 4

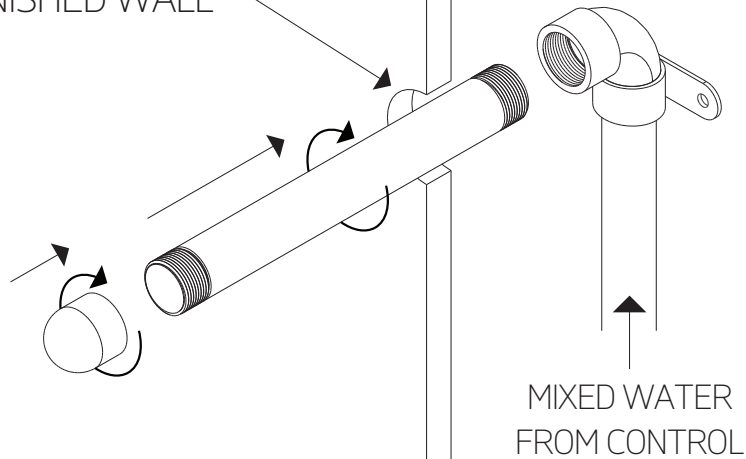


# INSTALLATION STEPS



#### STEP 1

1-5/8" DIAMETER THROUGH  
FINISHED WALL

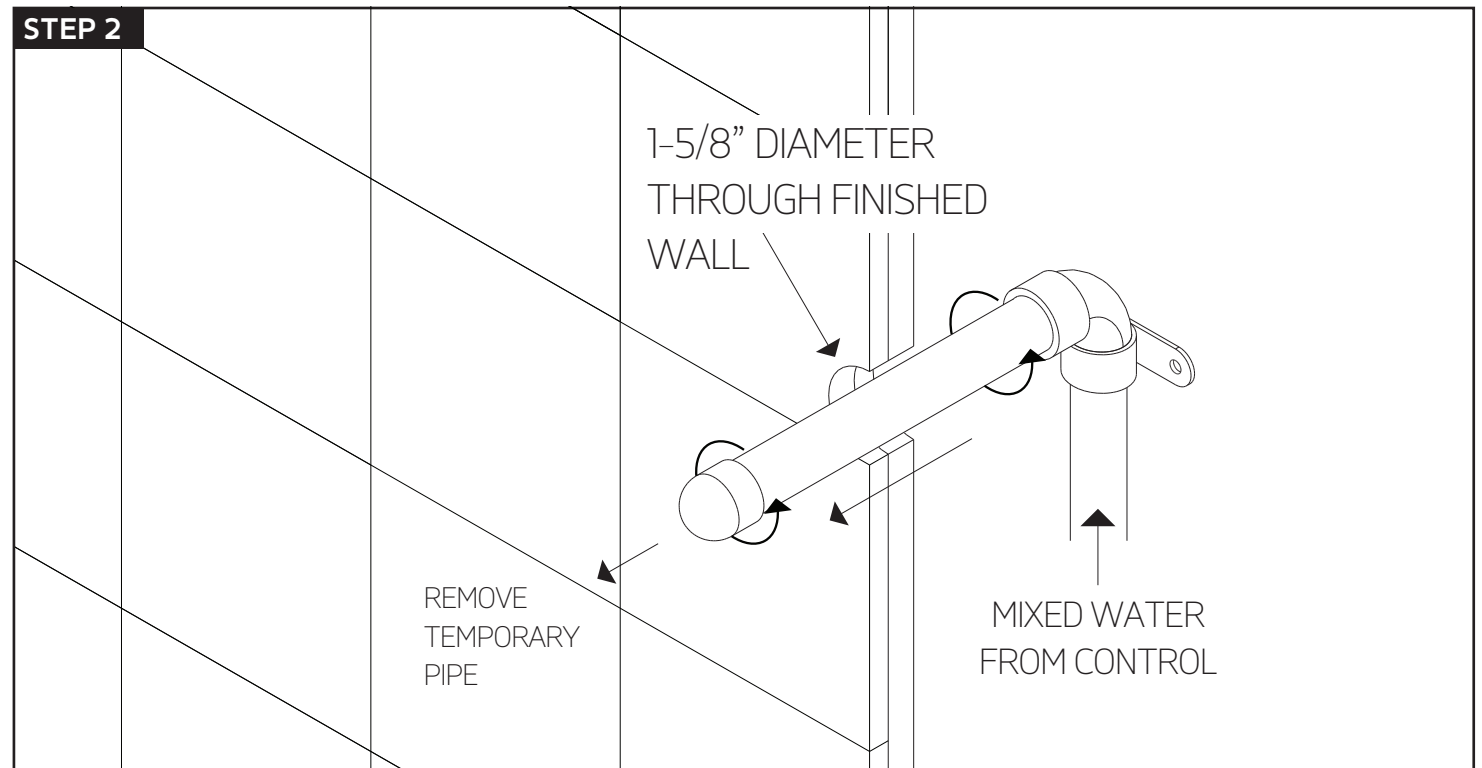


#### STEP 2

1-5/8" DIAMETER  
THROUGH FINISHED  
WALL

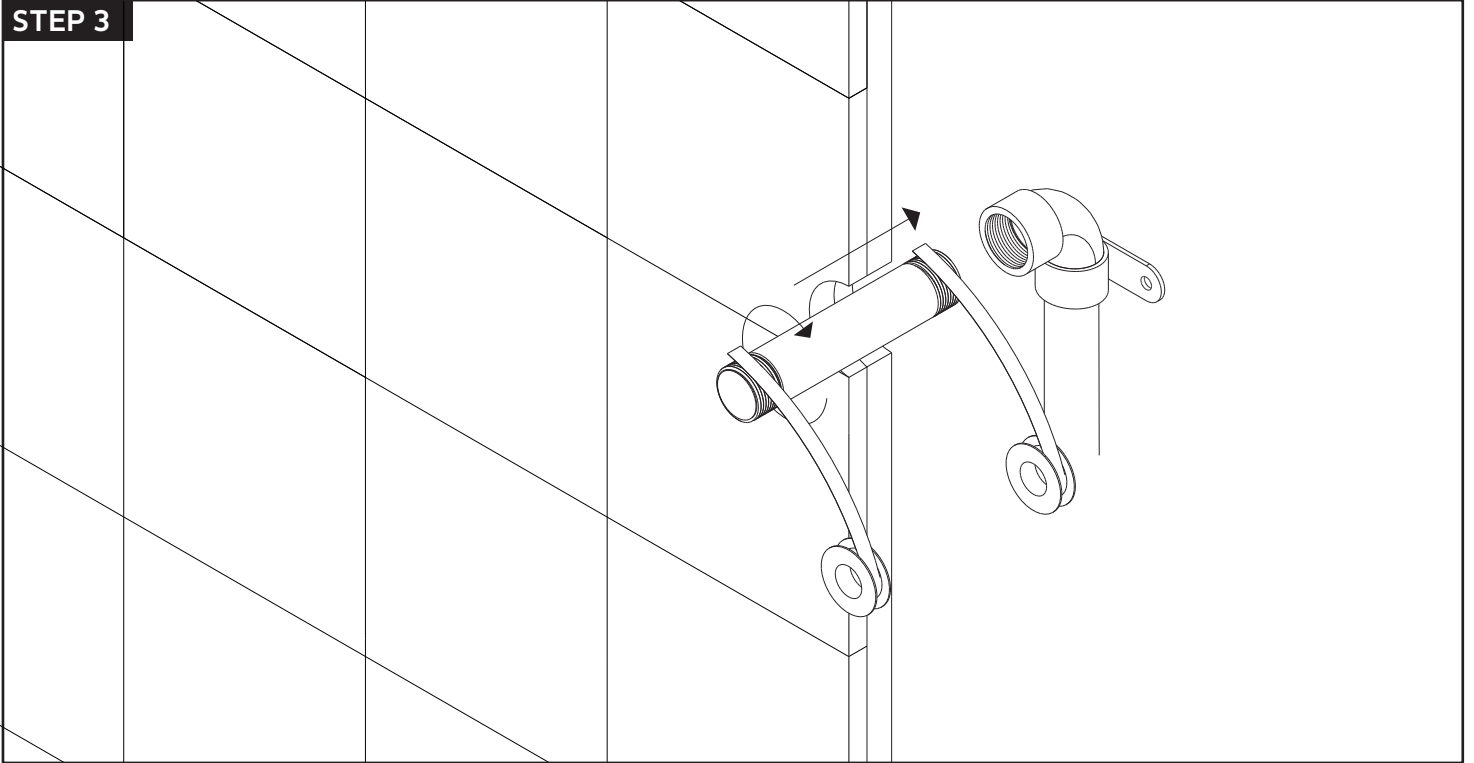
REMOVE  
TEMPORARY  
PIPE

MIXED WATER  
FROM CONTROL

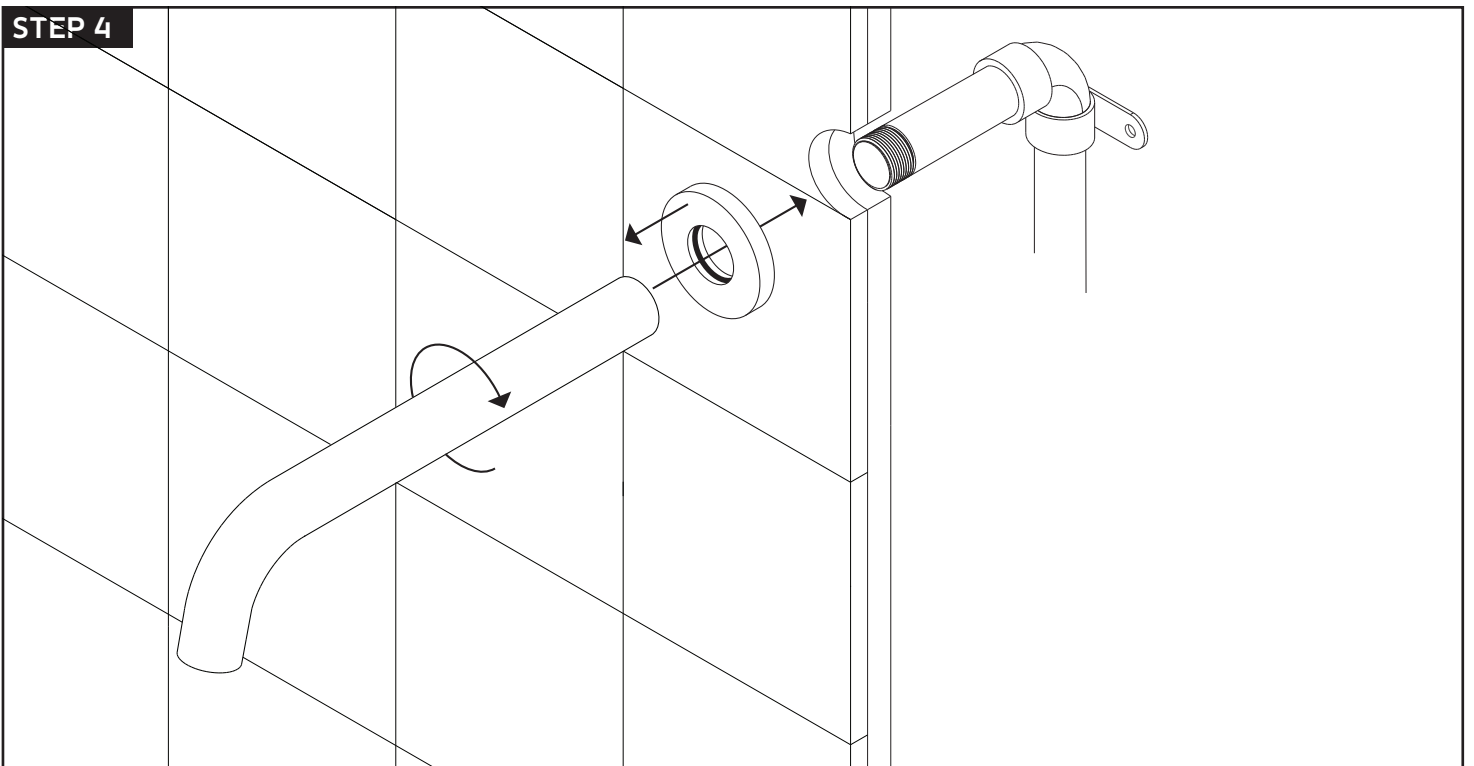


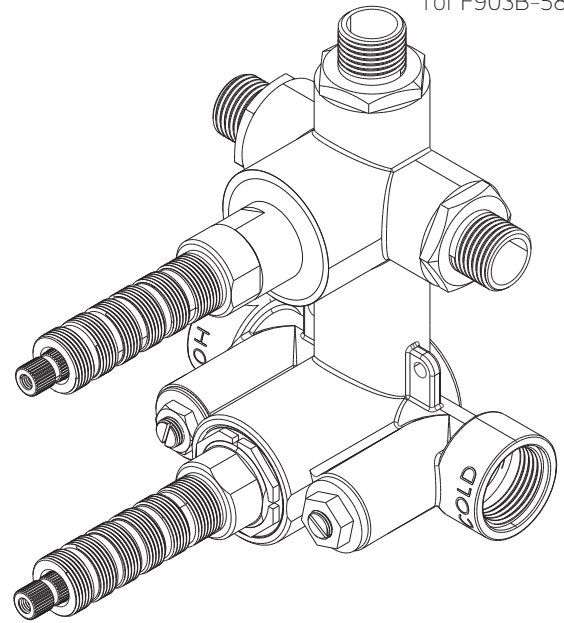
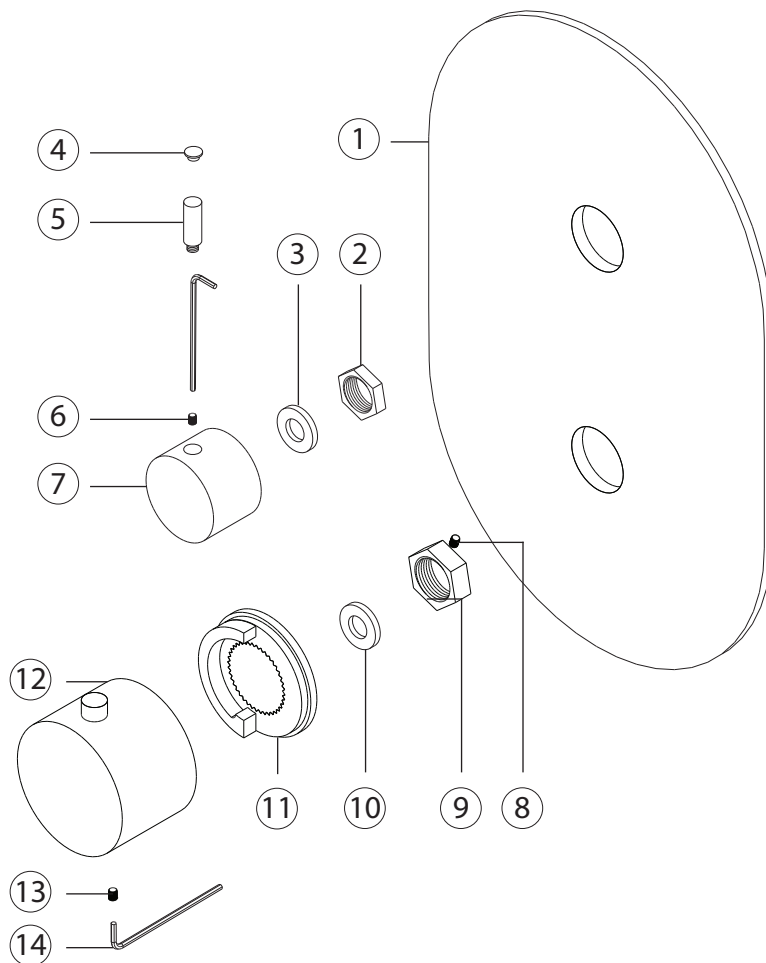
# INSTALLATION STEPS

## STEP 3

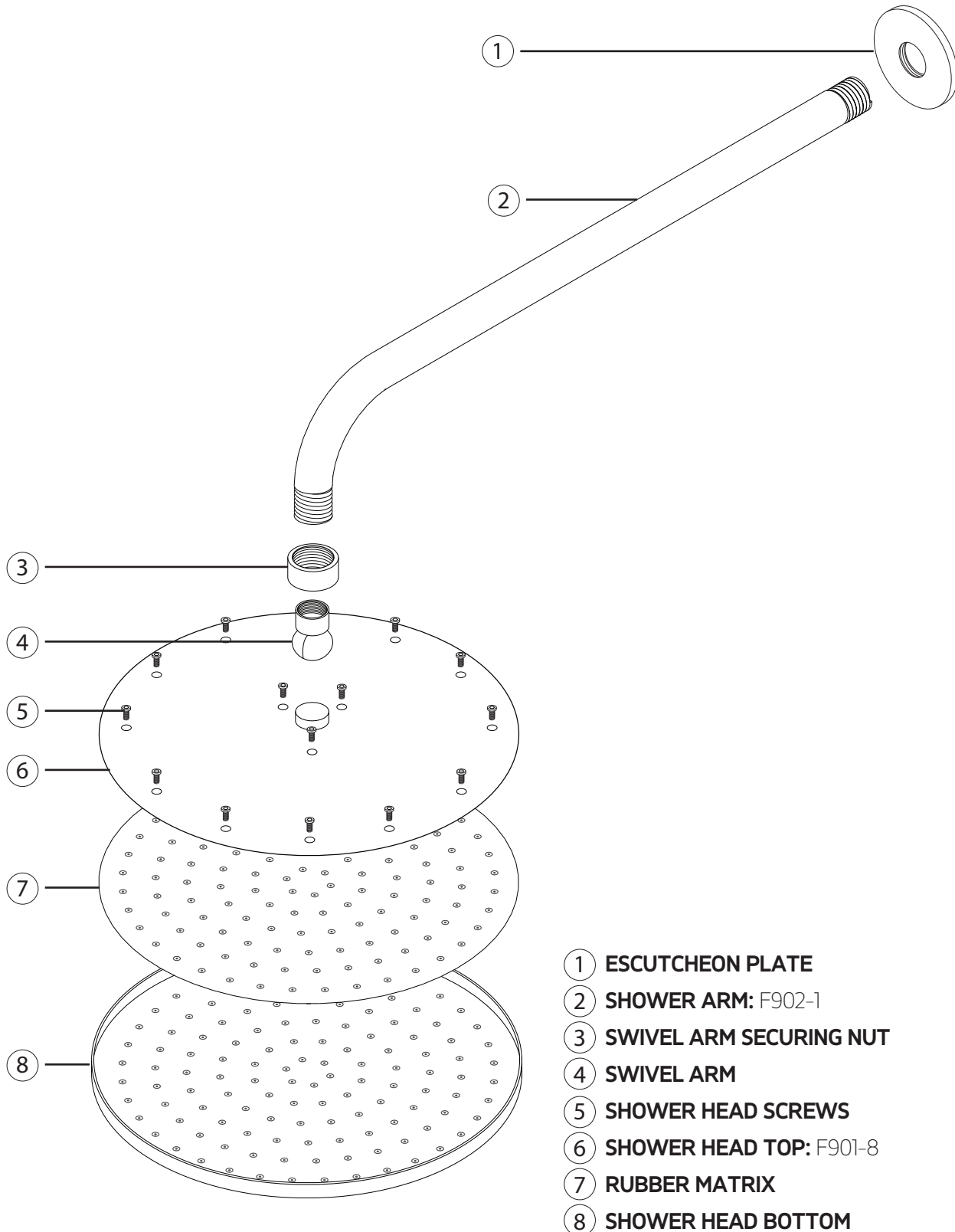


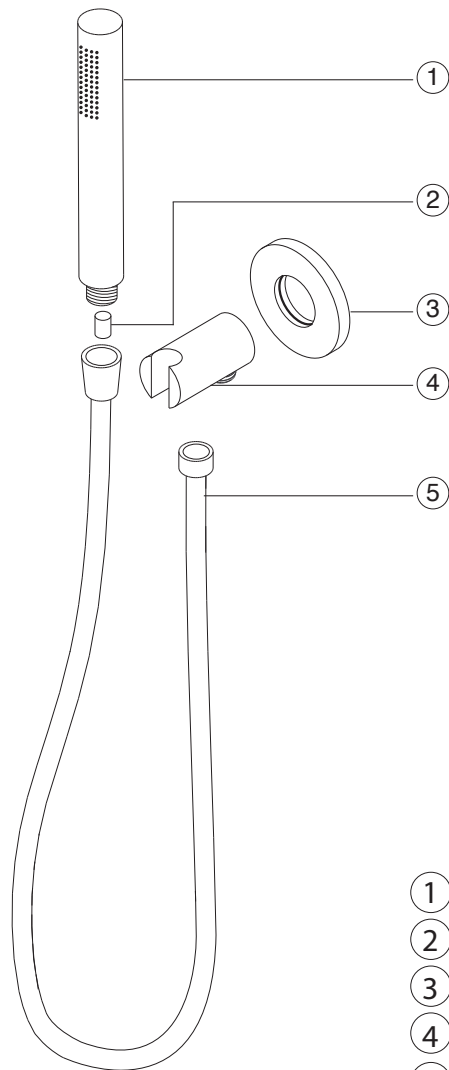
## STEP 4



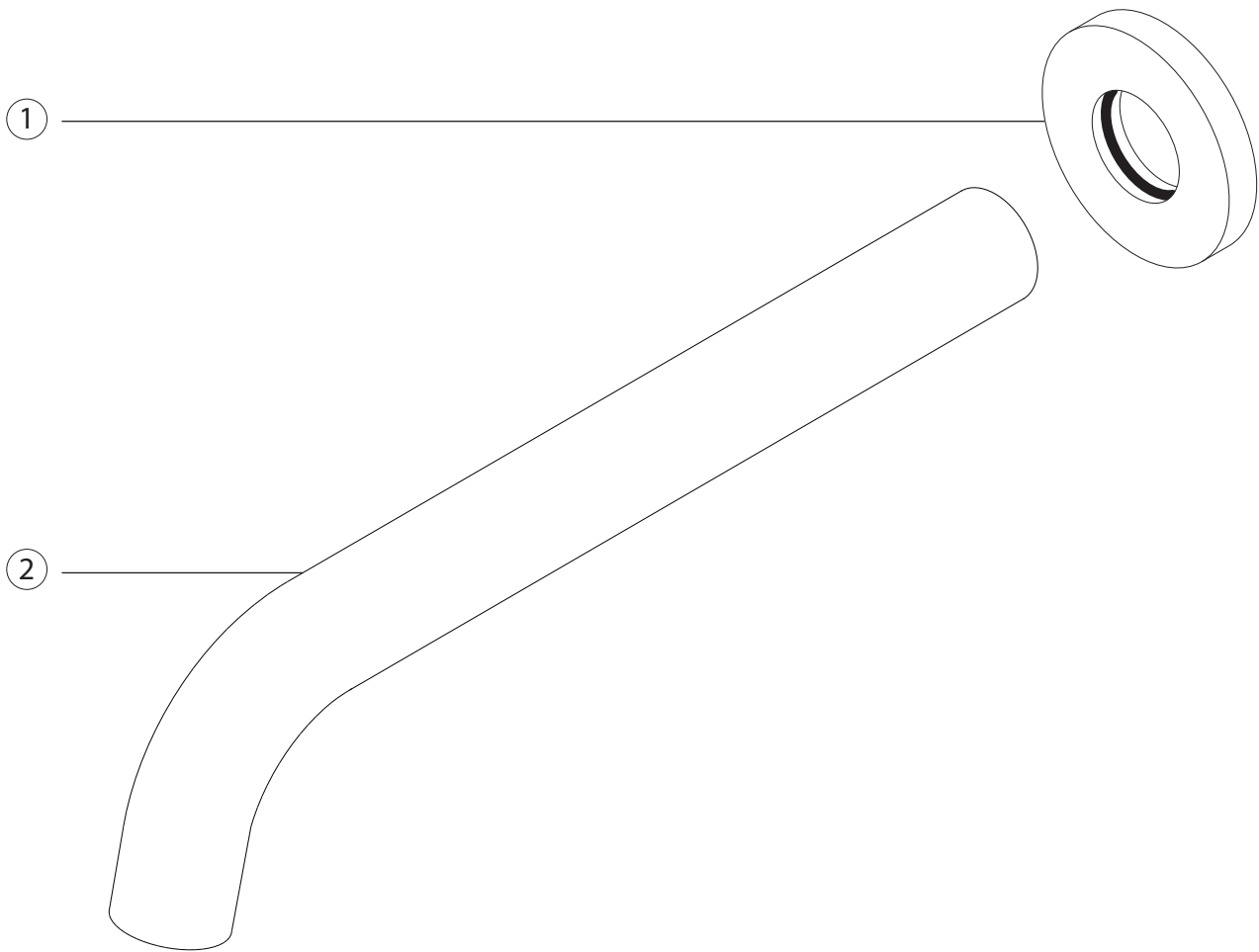


- |                              |                               |
|------------------------------|-------------------------------|
| ① ESCUTCHEON: F903-8P        | ⑧ LOCKING NUT SET SCREW       |
| ② DIVERTER LOCKING NUT       | ⑨ THERMOSTAT LOCKING NUT      |
| ③ NYLON WASHER               | ⑩ NYLON WASHER                |
| ④ HANDLE HOLE CAP            | ⑪ TEMPERATURE LIMITING RING   |
| ⑤ DIVERTER HANDLE LEVER      | ⑫ THERMOSTAT HANDLE: F904A-1H |
| ⑥ DIVERTER SET SCREW         | ⑬ THERMOSTAT SET SCREW        |
| ⑦ DIVERTER HANDLE: F903A-12H | ⑭ ALLEN WRENCH                |





- ① **HAND SHOWER:** F901-3
- ② **HAND SHOWER CHECK VALVE**
- ③ **ESCUTCHEON PLATE**
- ④ **SHOWER OUTLET ELBOW AND HOLDER:** F902-42
- ⑤ **SHOWER HOSE**



① **ESCUTCHEON:** F908-45E

② **TUB FILLER SPOUT:** F908-4SP