

# artos<sup>®</sup>

## PS119

## INSTALLATION GUIDE

premier series shower set

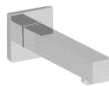
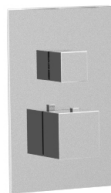
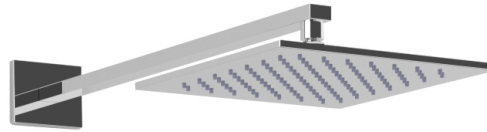
BRUSHED NICKEL(BN)



CHROME(CH)



BLACK (BK)

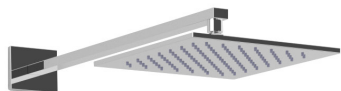


# artos<sup>®</sup>

PS119

## OPERATING SPECIFICATIONS

premier series shower set



### FEATURES

Solid Brass  
3-Outlets

### INCLUDES

F903B-59TK  
F703-6  
F907-50  
F402-10

### OPERATING PRESSURE

Minimum: 15 psi  
Maximum: 75 psi  
Above 90psi it may be necessary to install a pressure reducer

### OPERATING TEMPERATURE

Maximum: 176°

### FLOW CAPACITY

Hand Shower: 1.8 USGPM  
Shower Head: 1.8 USGPM  
Tub Filler: 6.1 USGPM

### APPROVAL



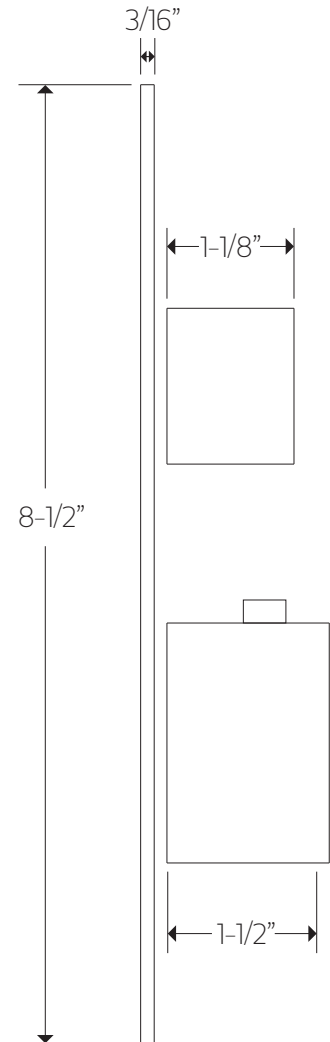
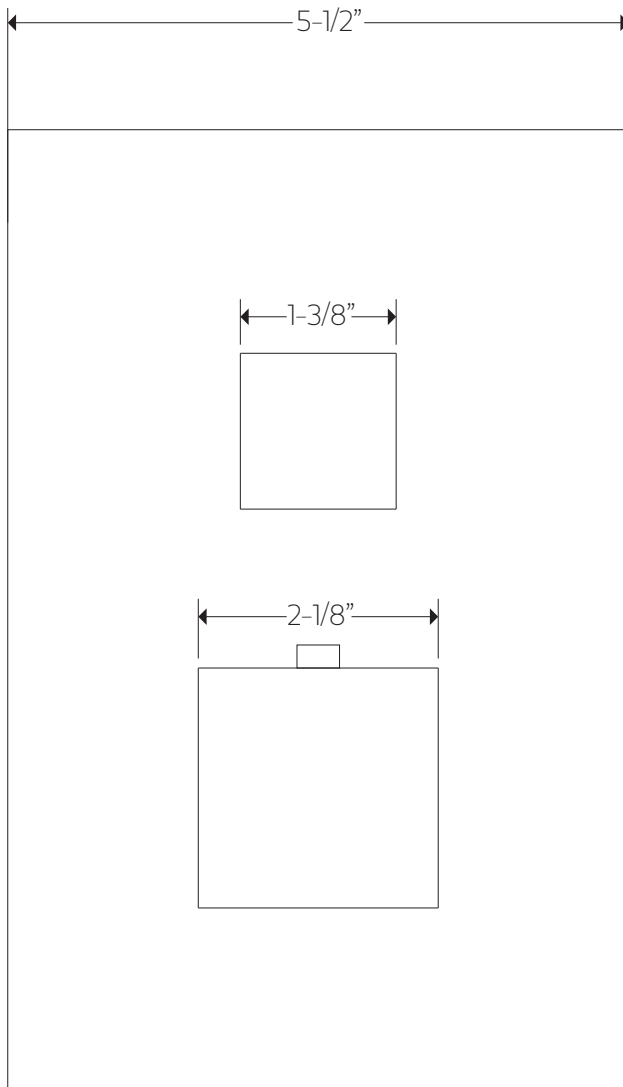
# artos<sup>®</sup>

PS119

## PRODUCT DIMENSIONS

premier series shower set

for trim kit



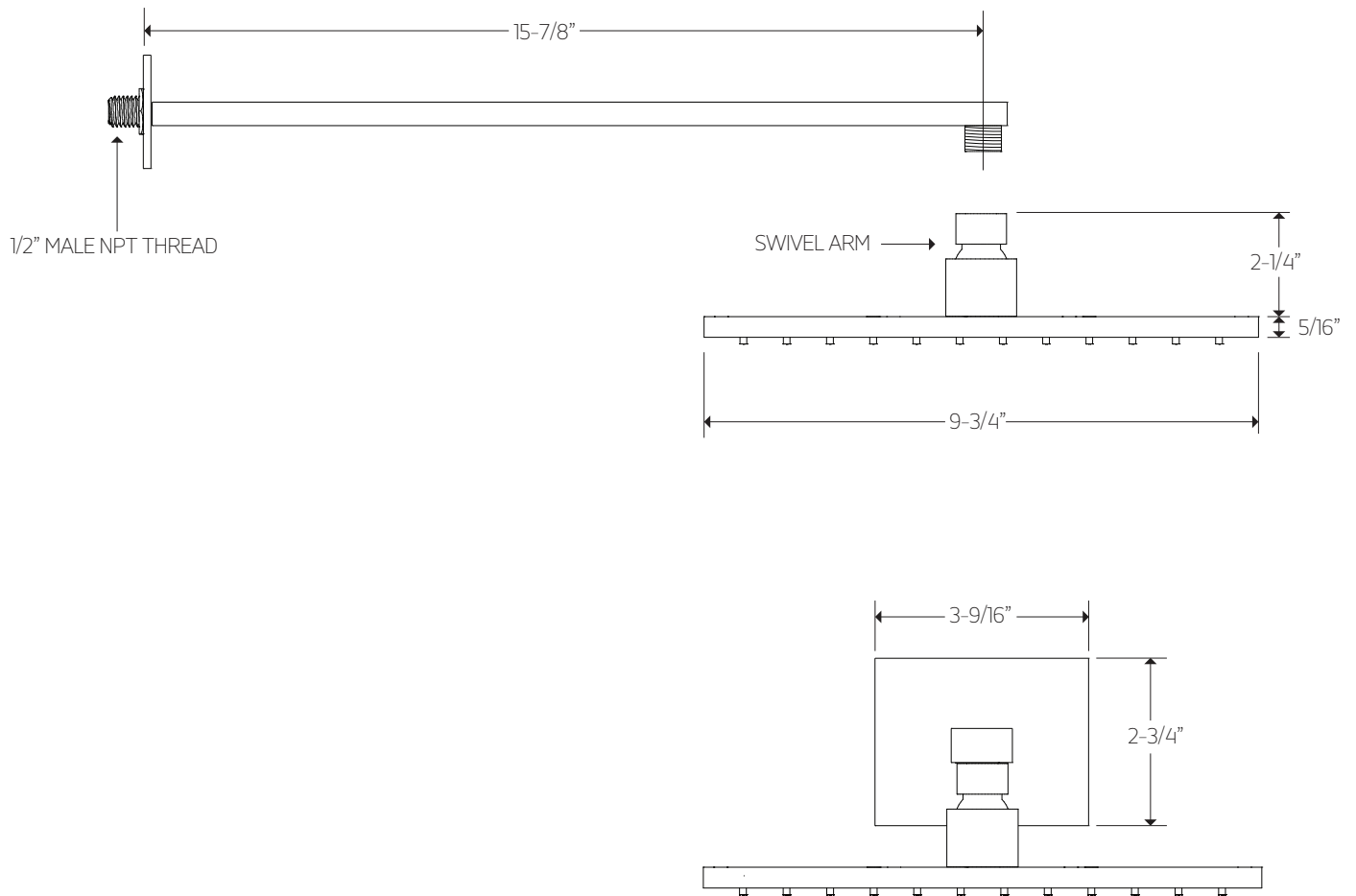
# artos<sup>®</sup>

PS119

## PRODUCT DIMENSIONS

premier series shower set

for shower head



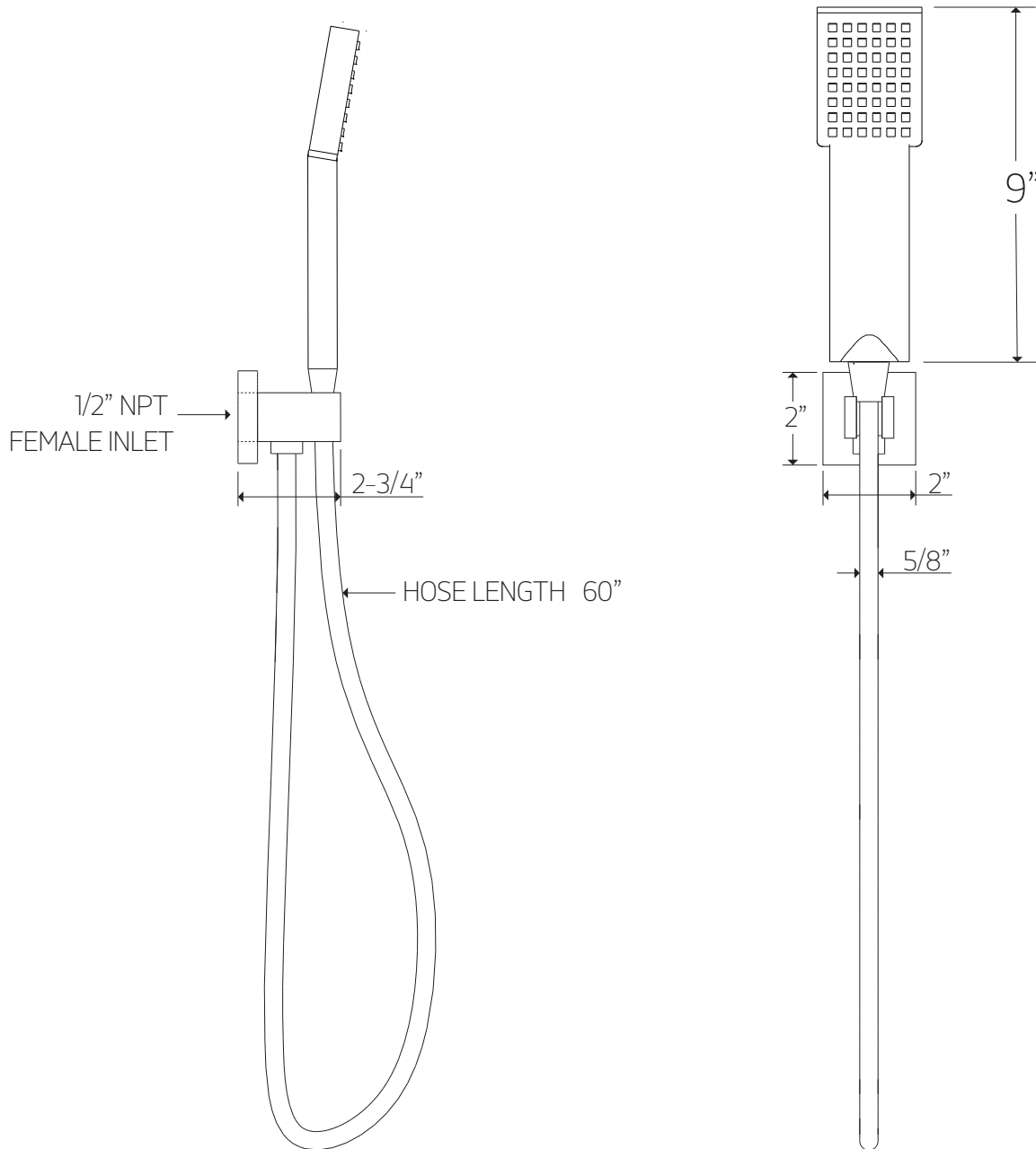
# artos<sup>®</sup>

PS119

## PRODUCT DIMENSIONS

premier series shower set

for hand shower



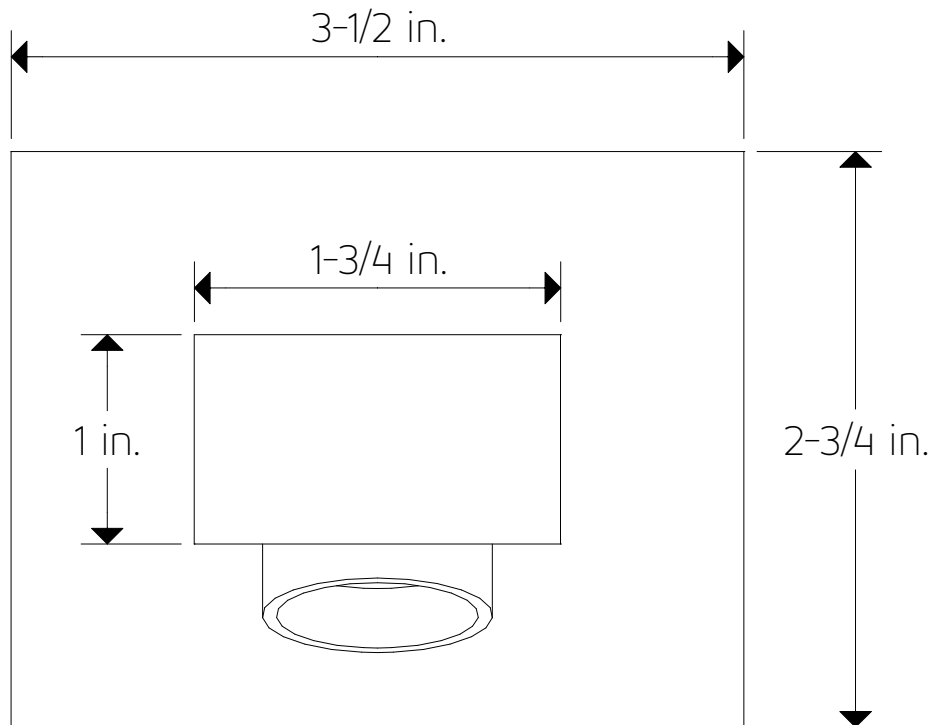
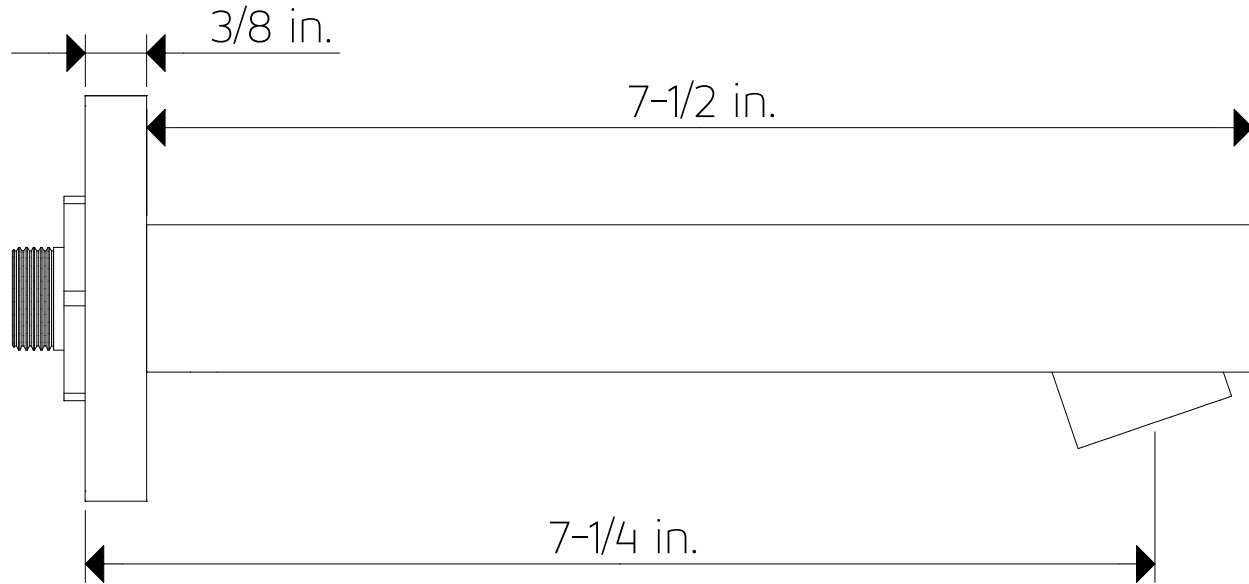
# artos<sup>®</sup>

PS119

premier series shower set

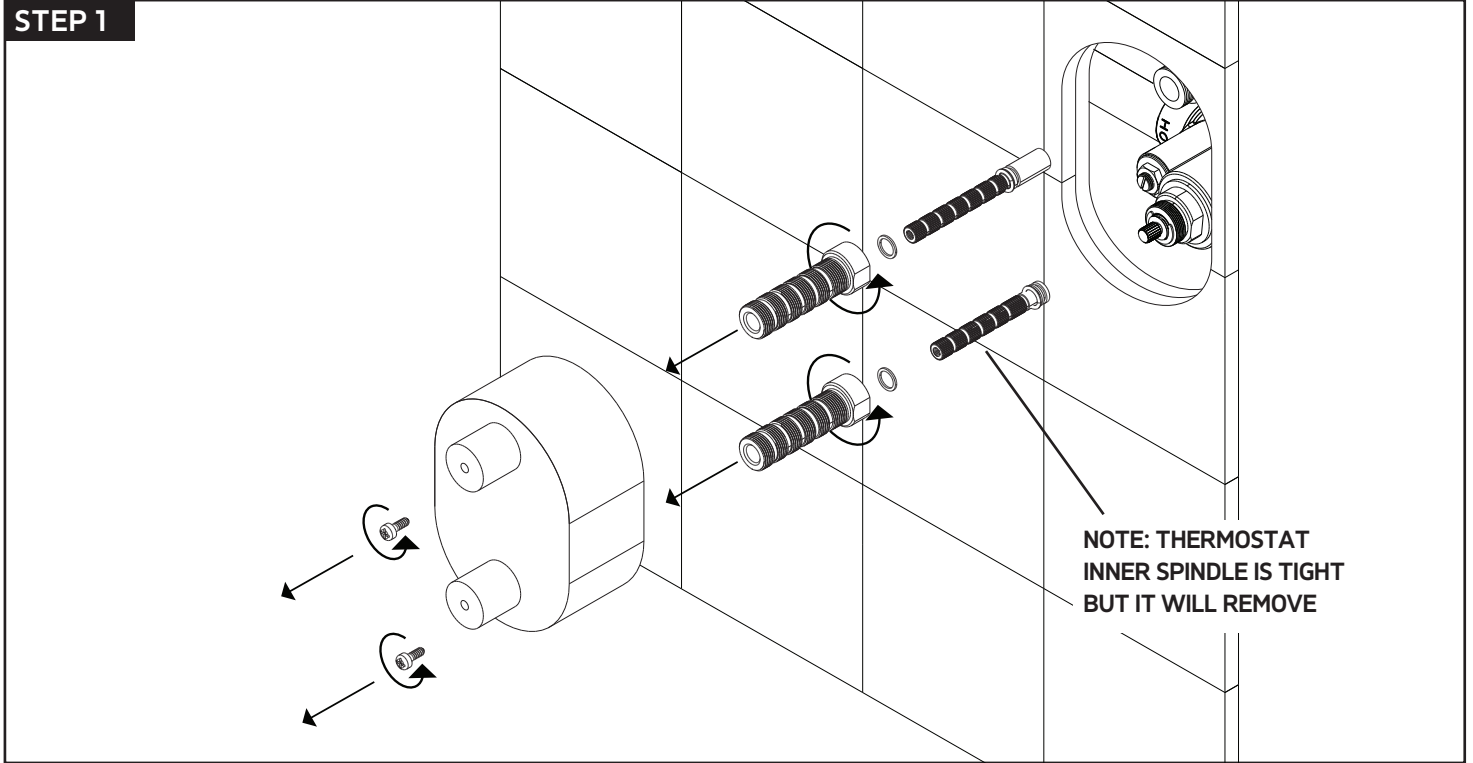
## PRODUCT DIMENSIONS

for tub filler

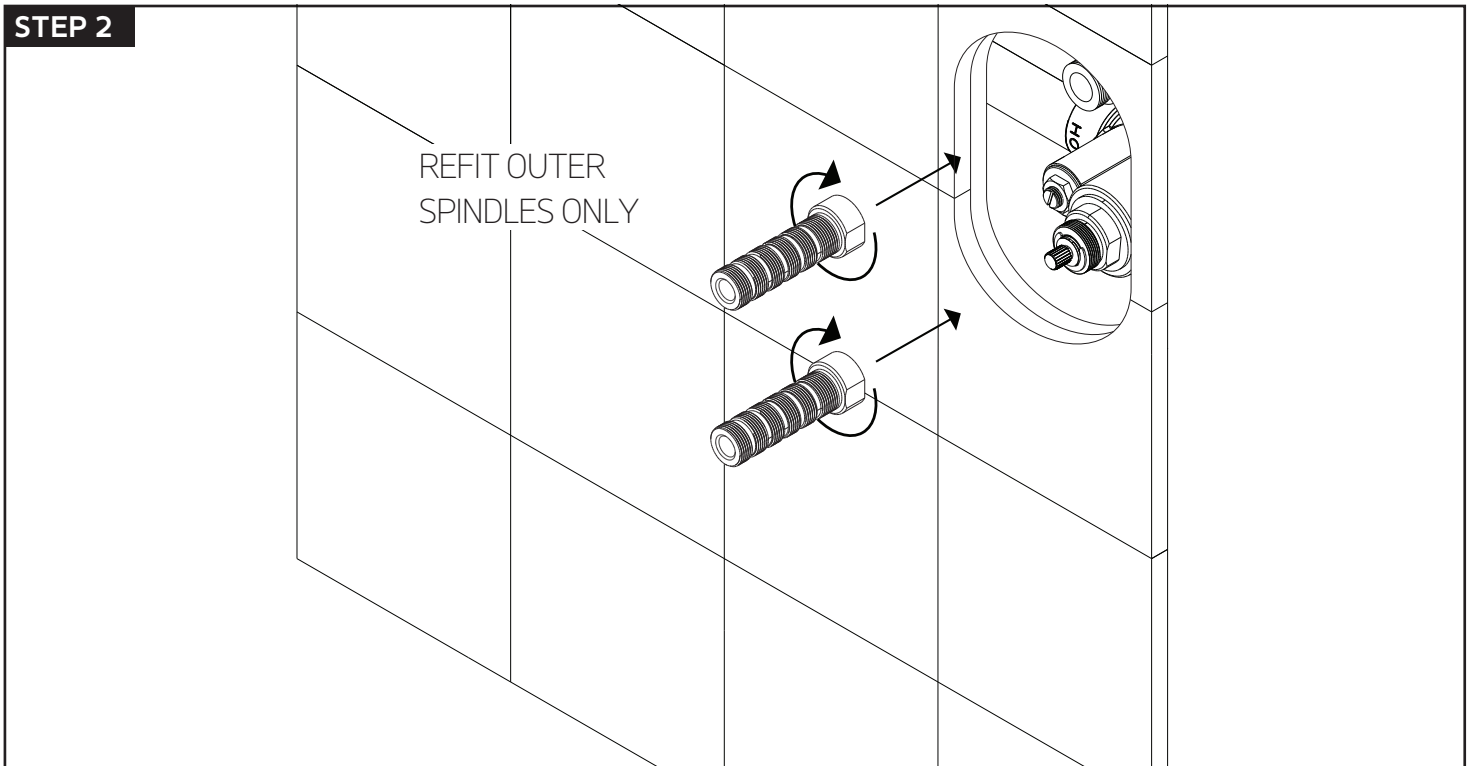


valve trim

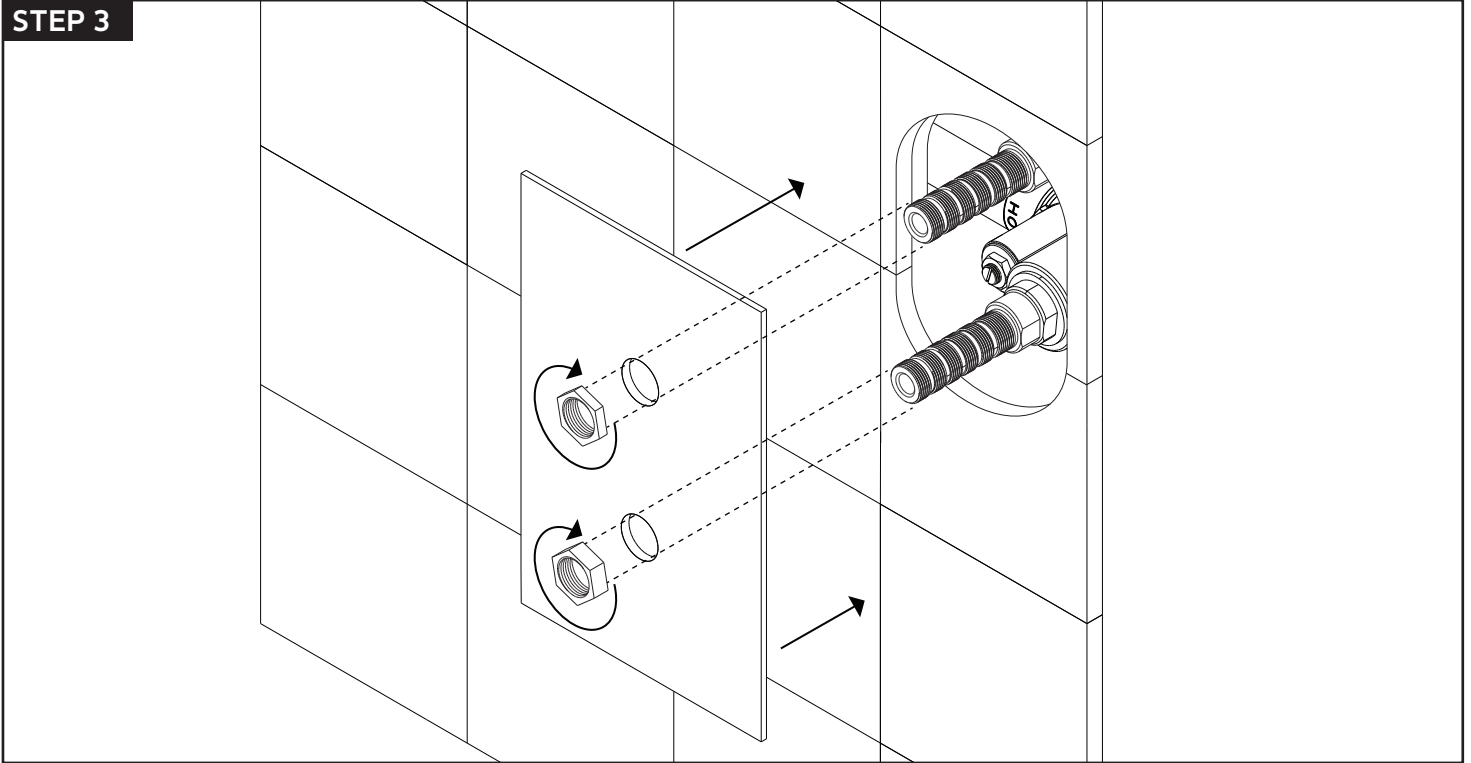
**STEP 1**



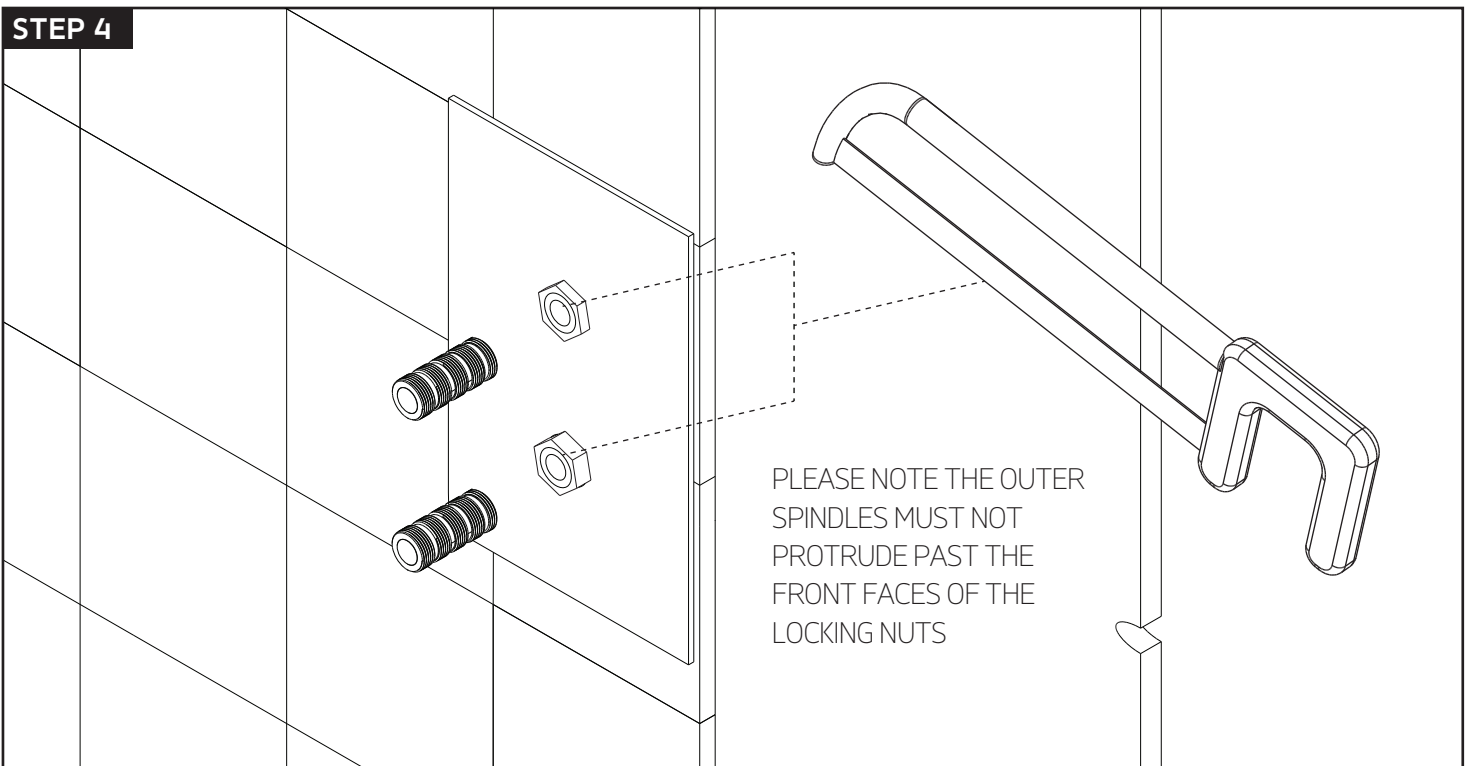
**STEP 2**



#### STEP 3

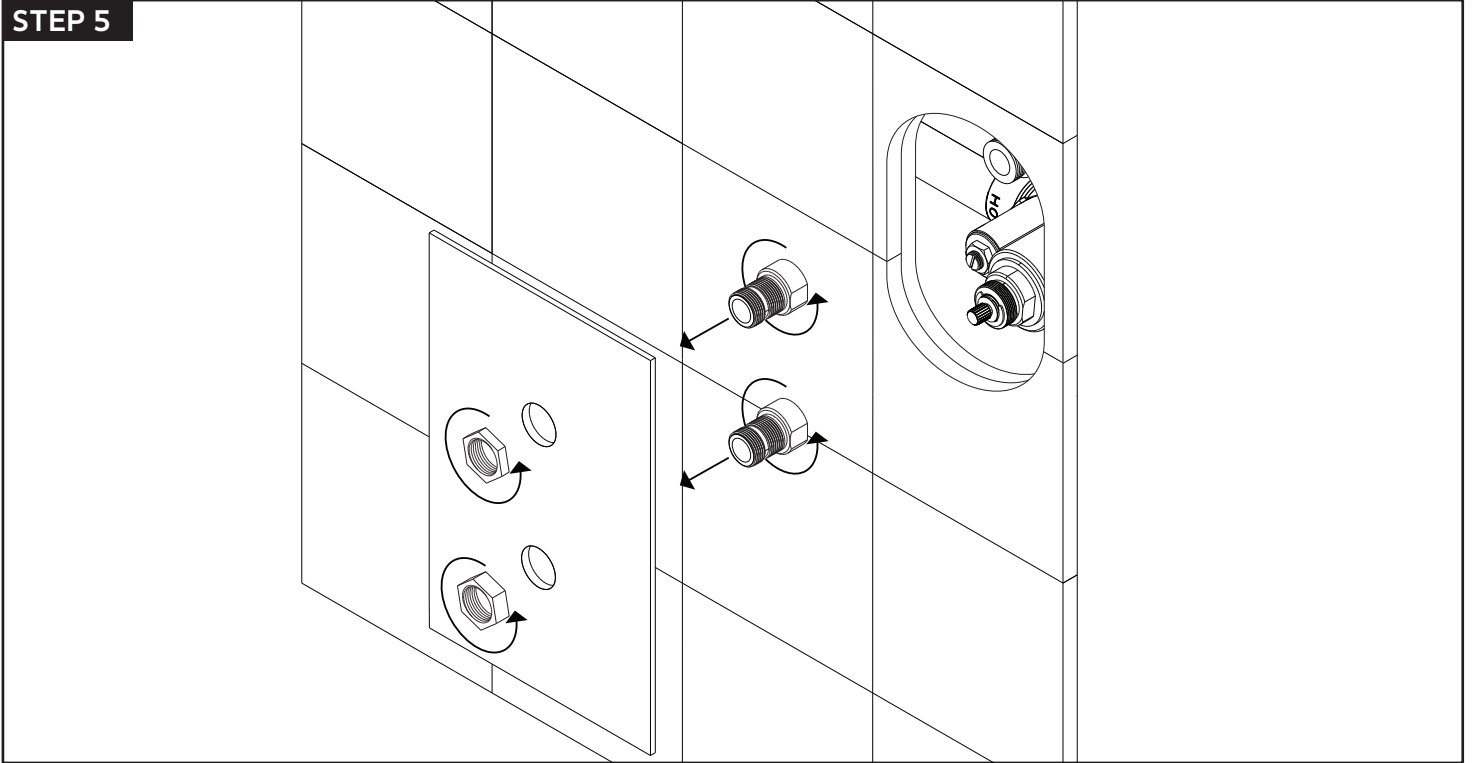


#### STEP 4

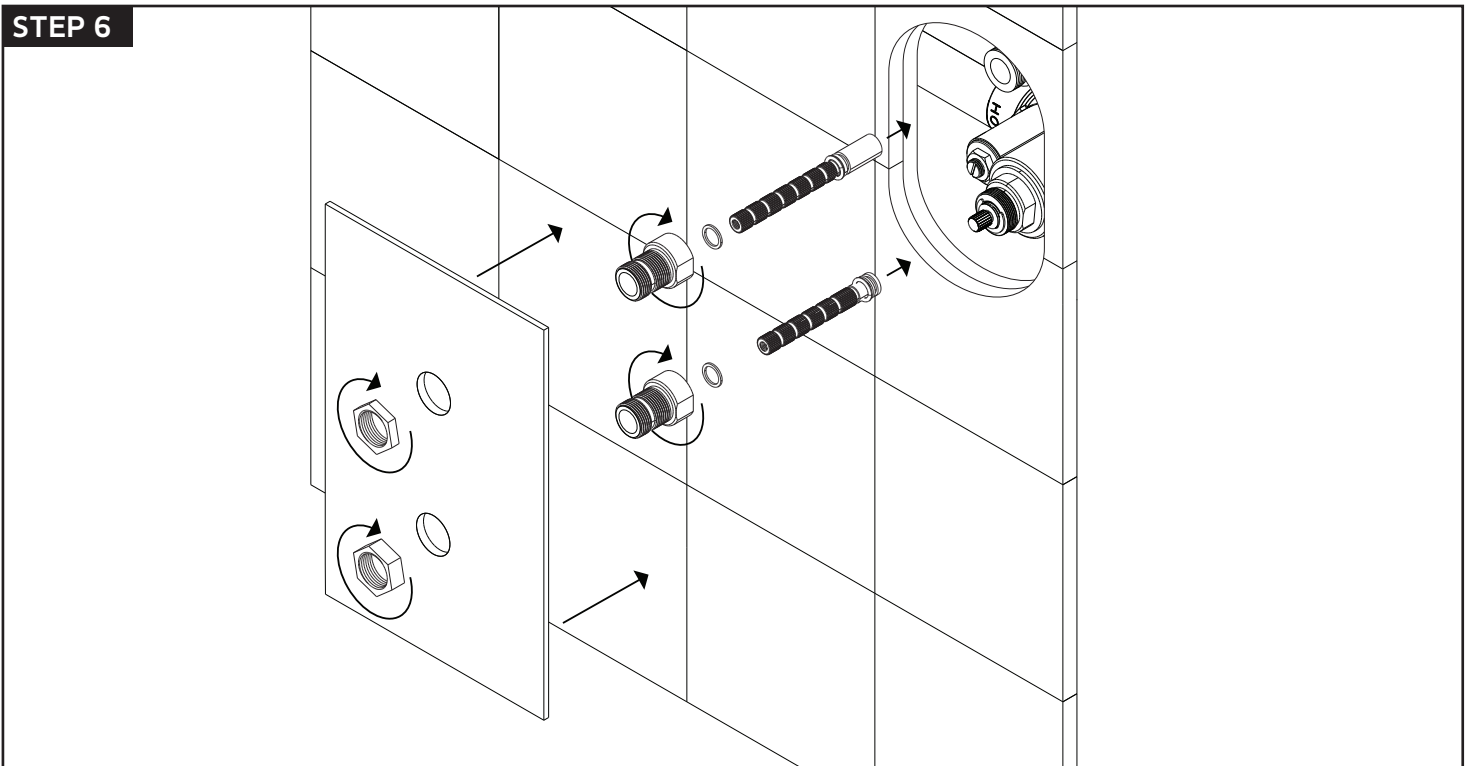


# INSTALLATION STEPS

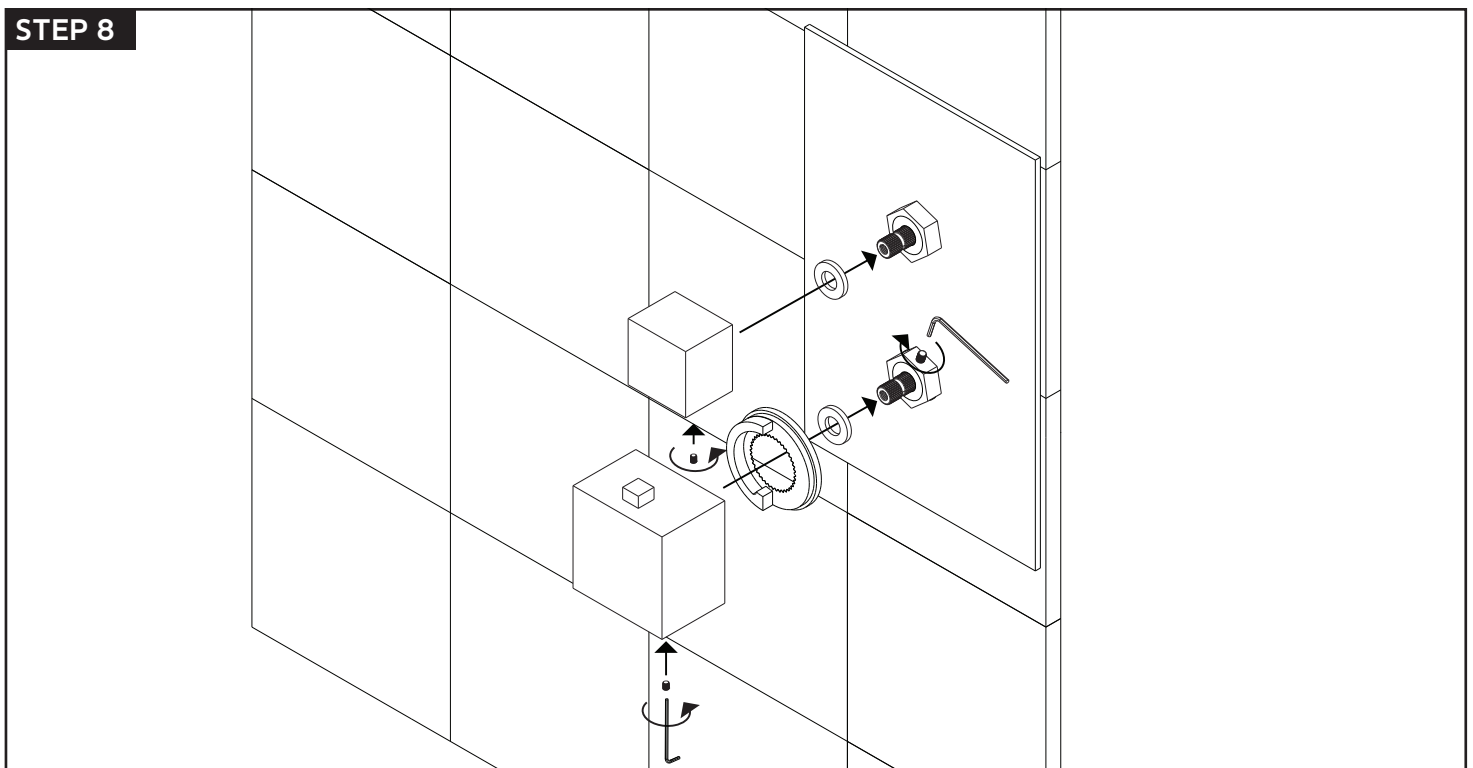
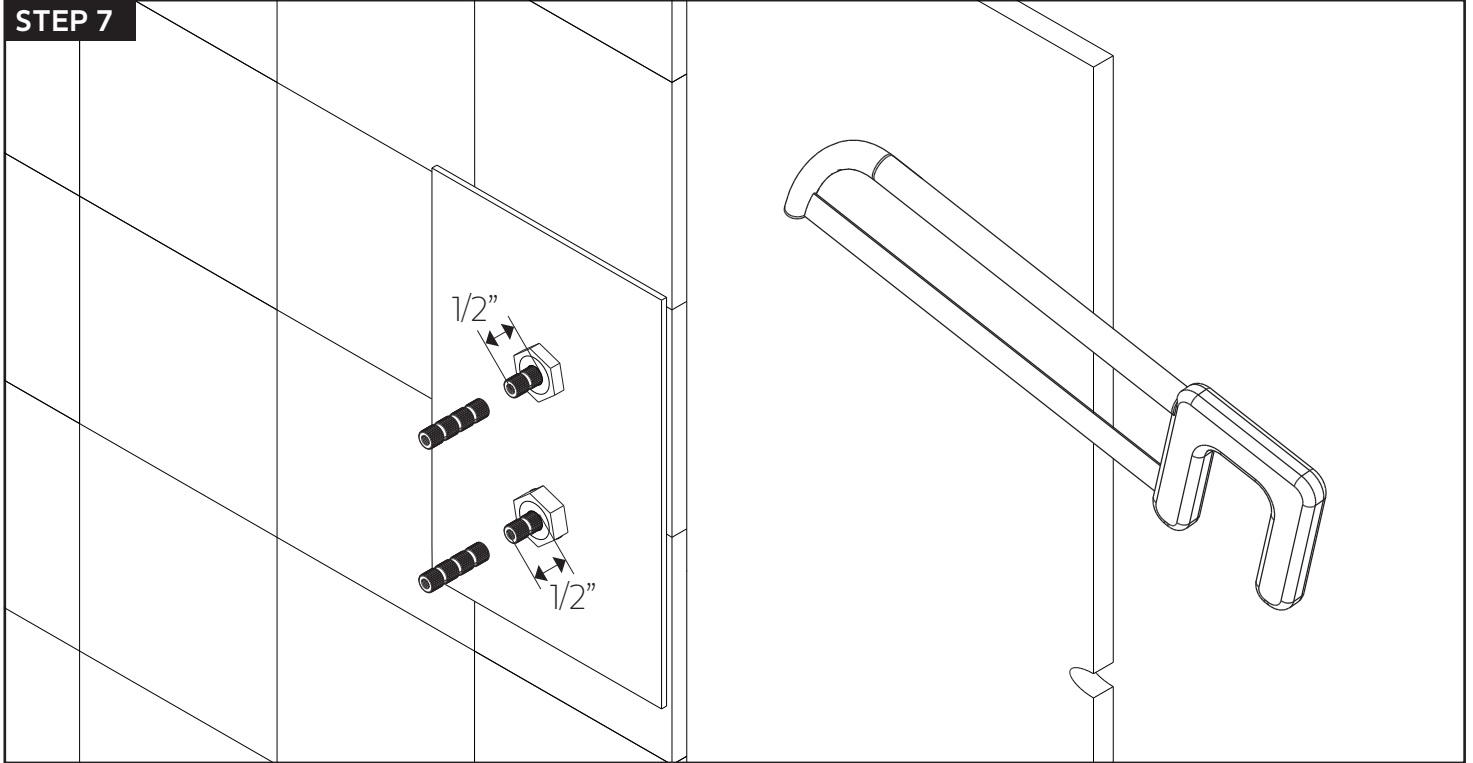
## STEP 5



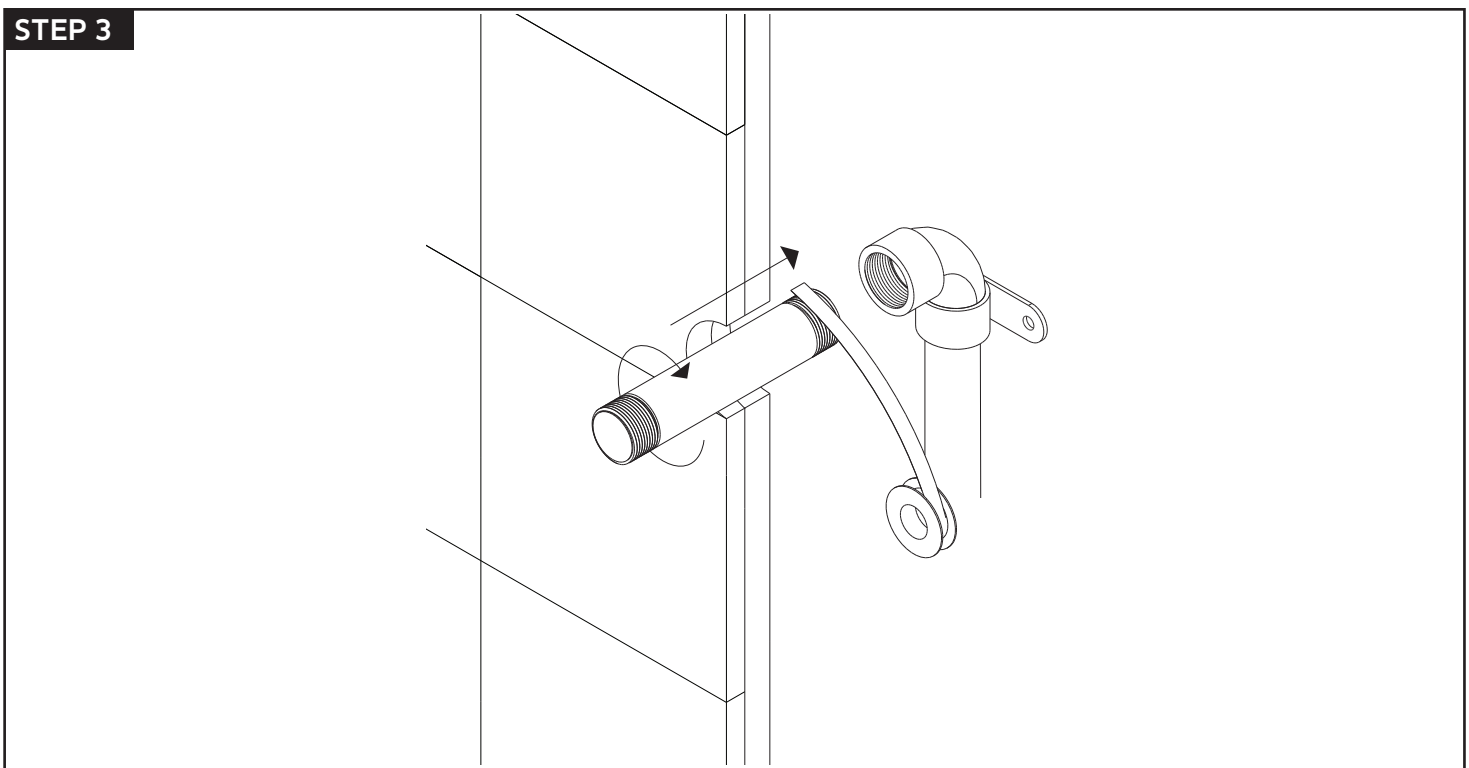
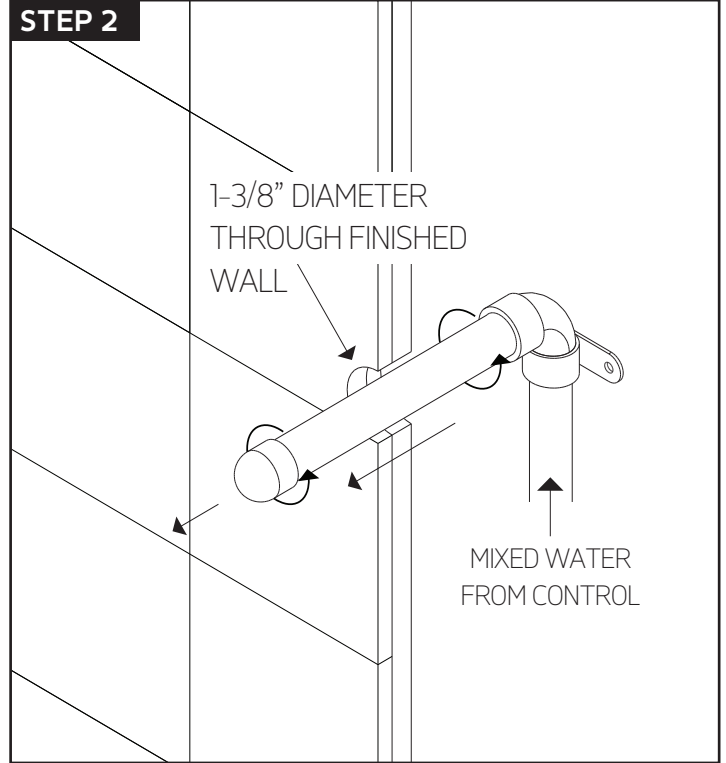
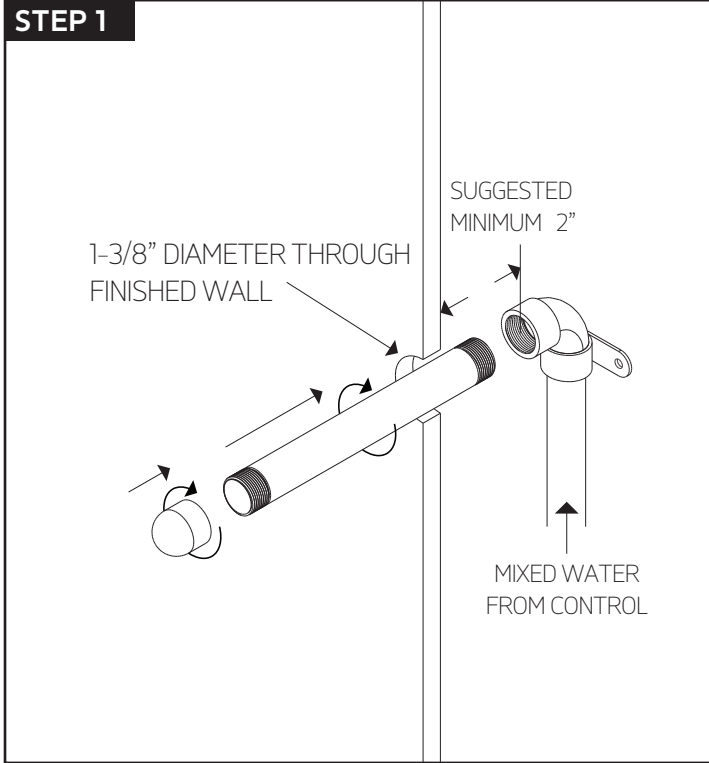
## STEP 6



valve trim



shower head



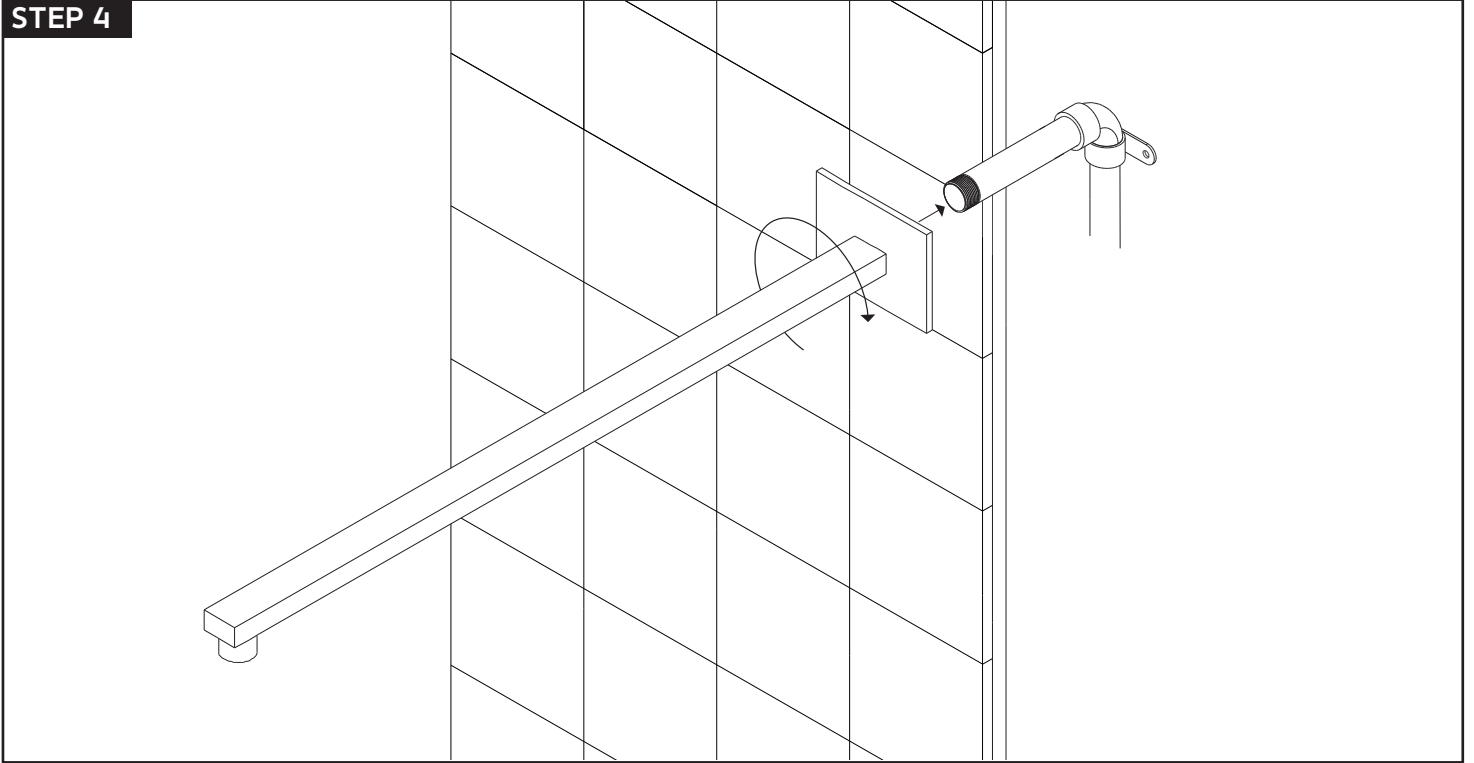
# artos<sup>®</sup>

PS119

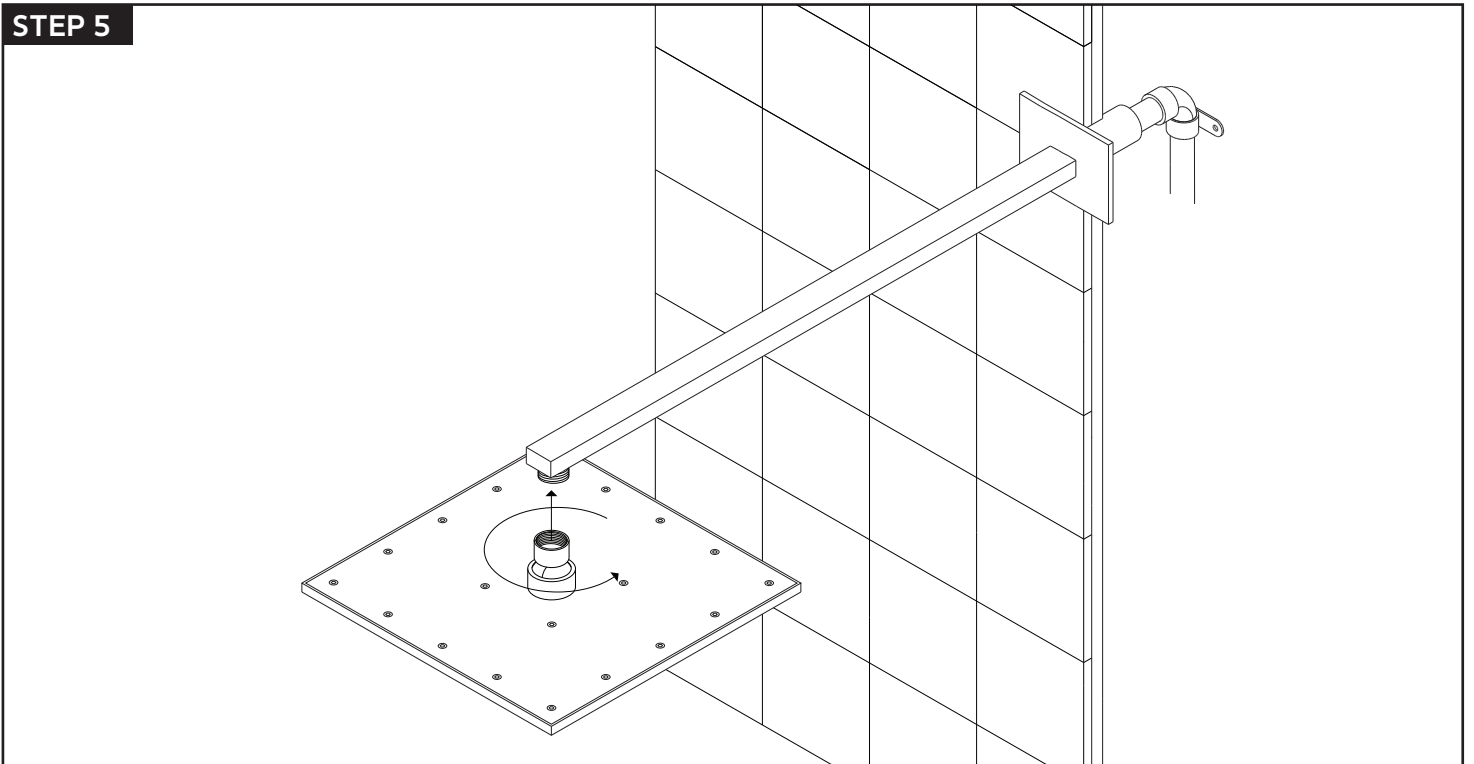
**INSTALLATION STEPS**

shower head

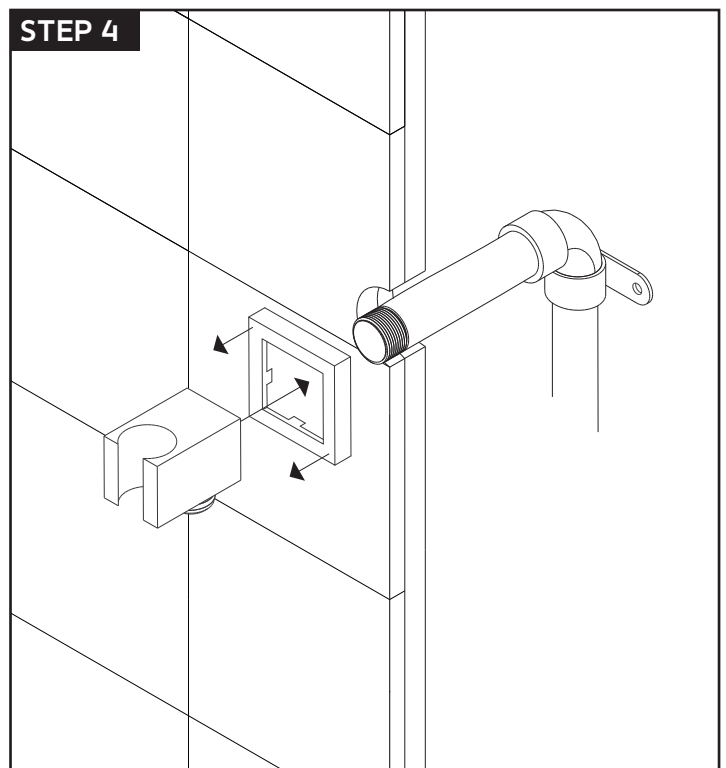
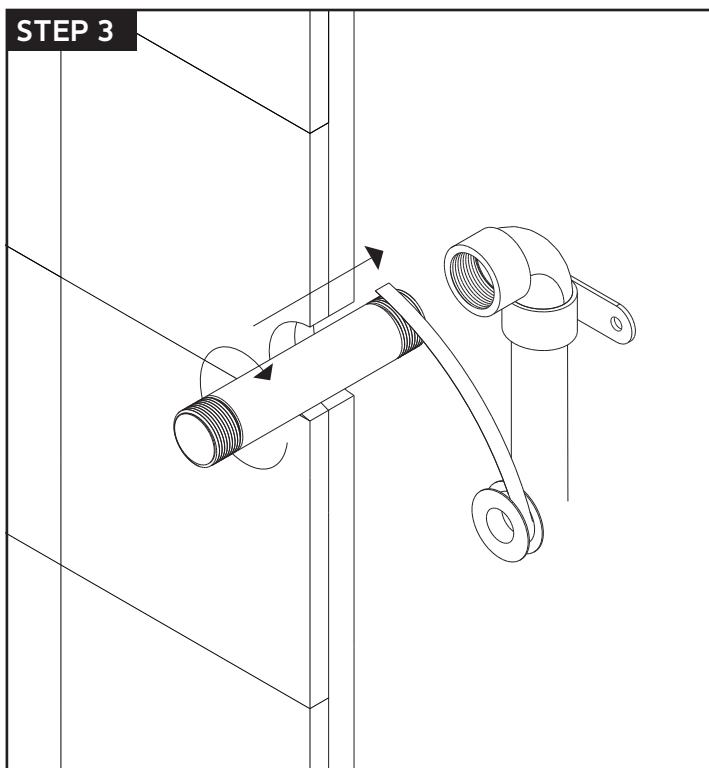
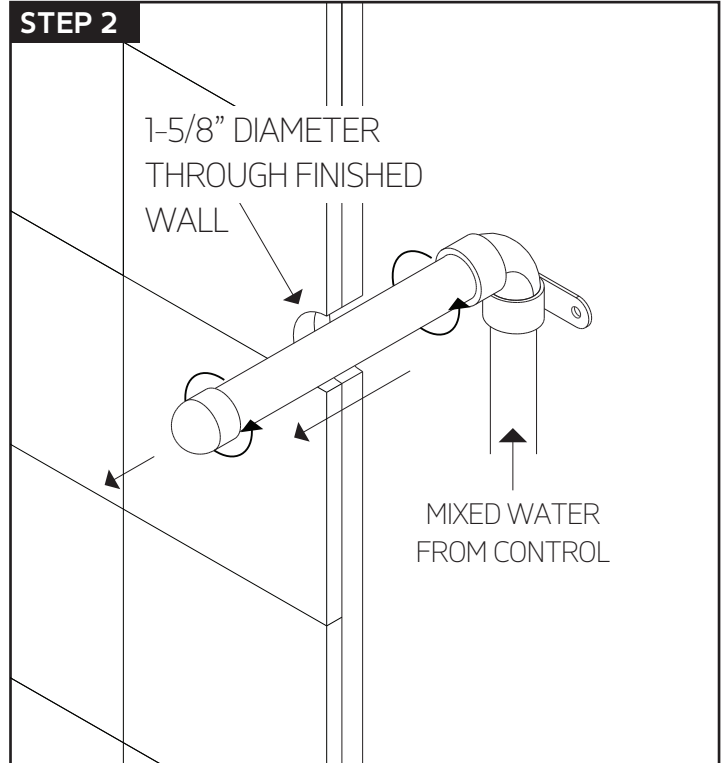
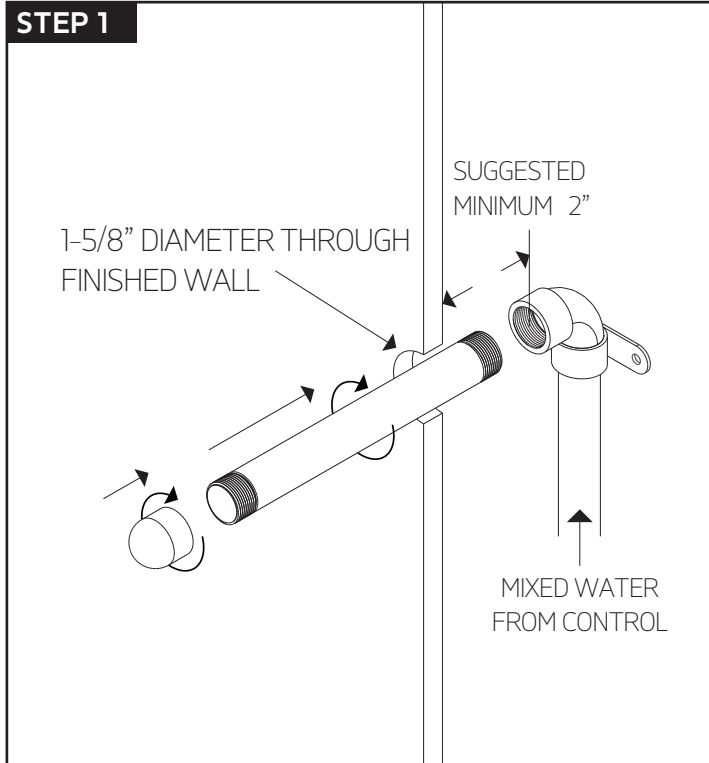
**STEP 4**



**STEP 5**



hand shower



# artos<sup>®</sup>

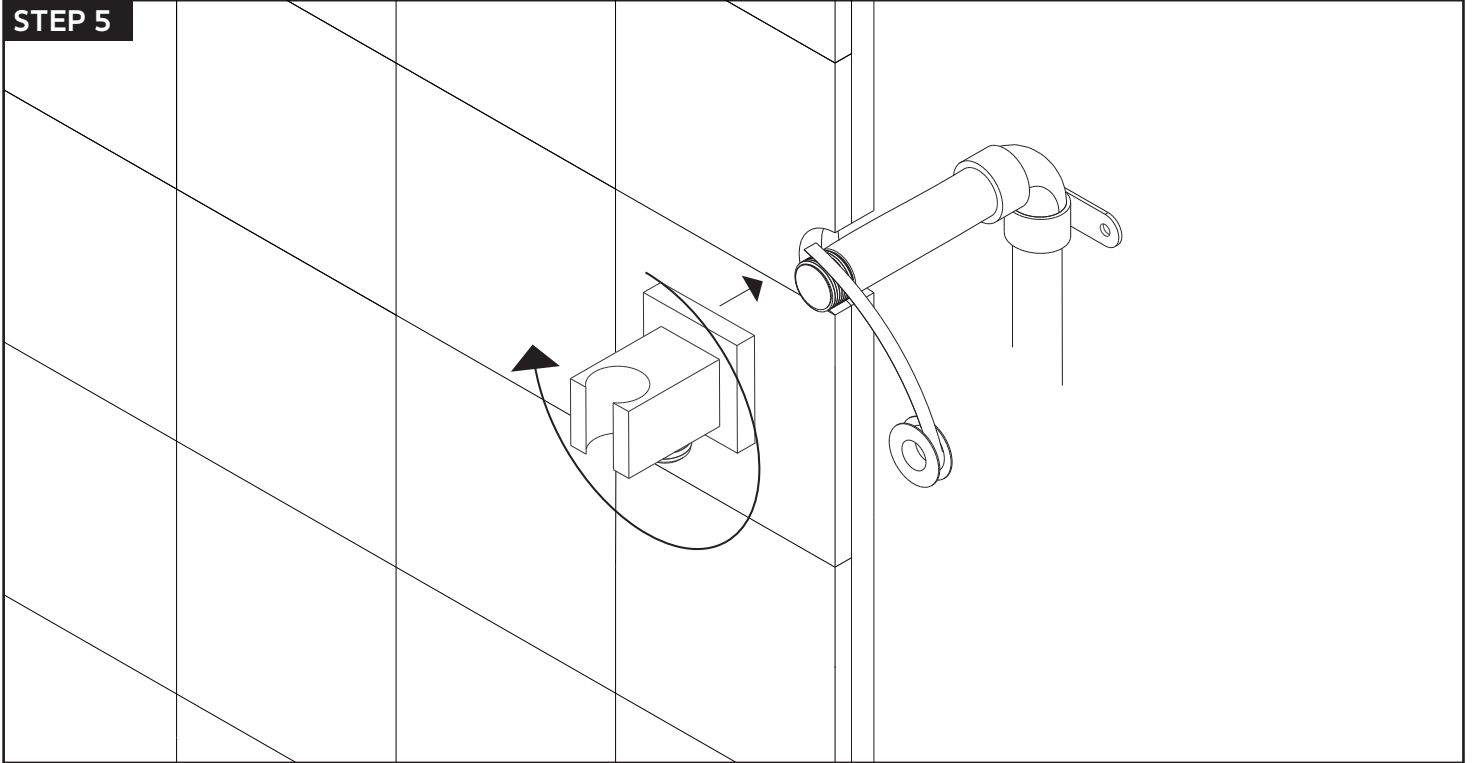
PS119

**INSTALLATION STEPS**

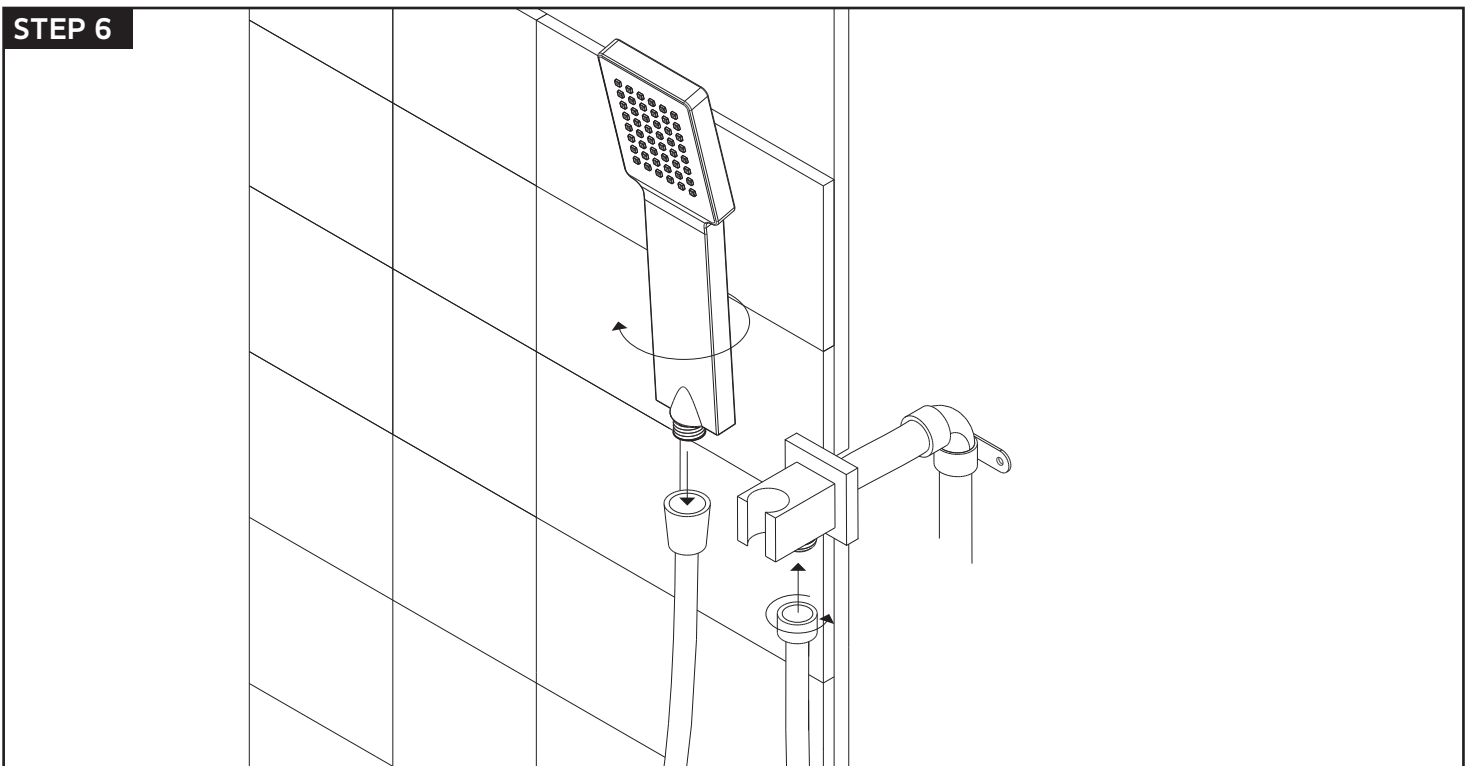
for F703-6

hand shower

**STEP 5**

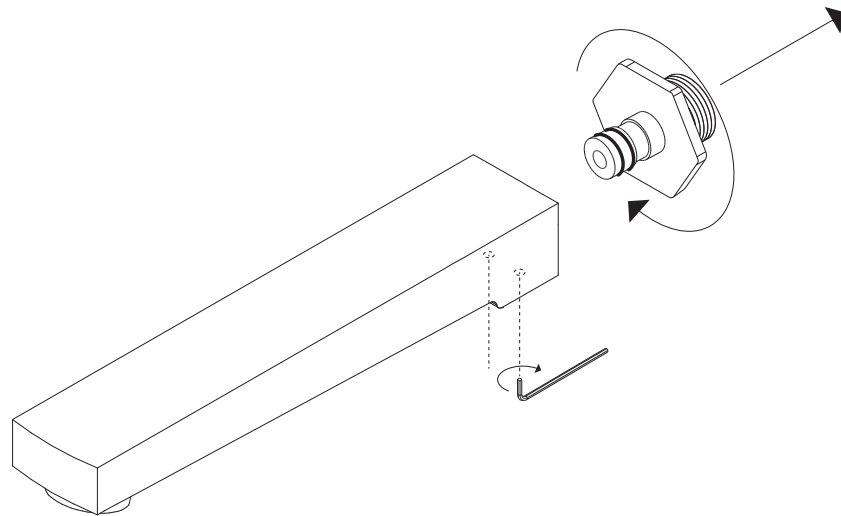


**STEP 6**



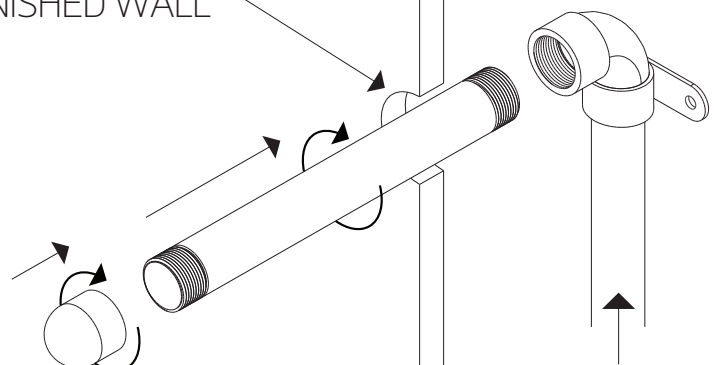
tub filler

**STEP 1**

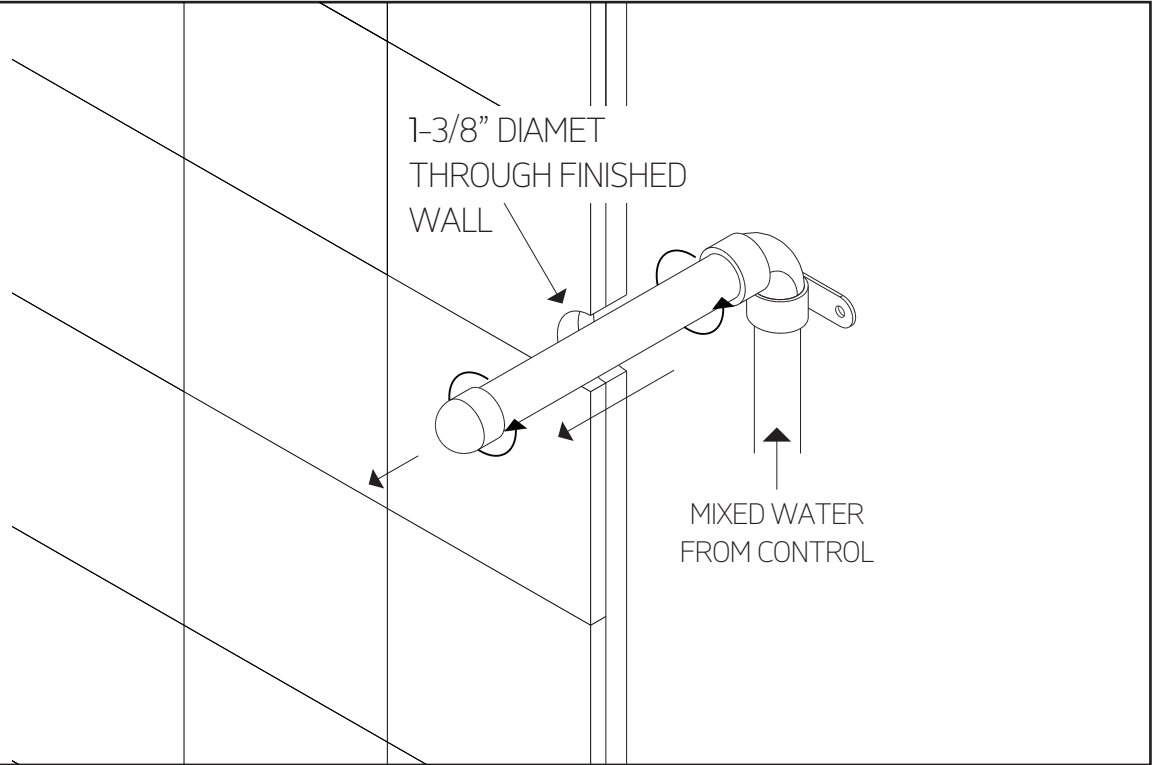


**STEP 2**

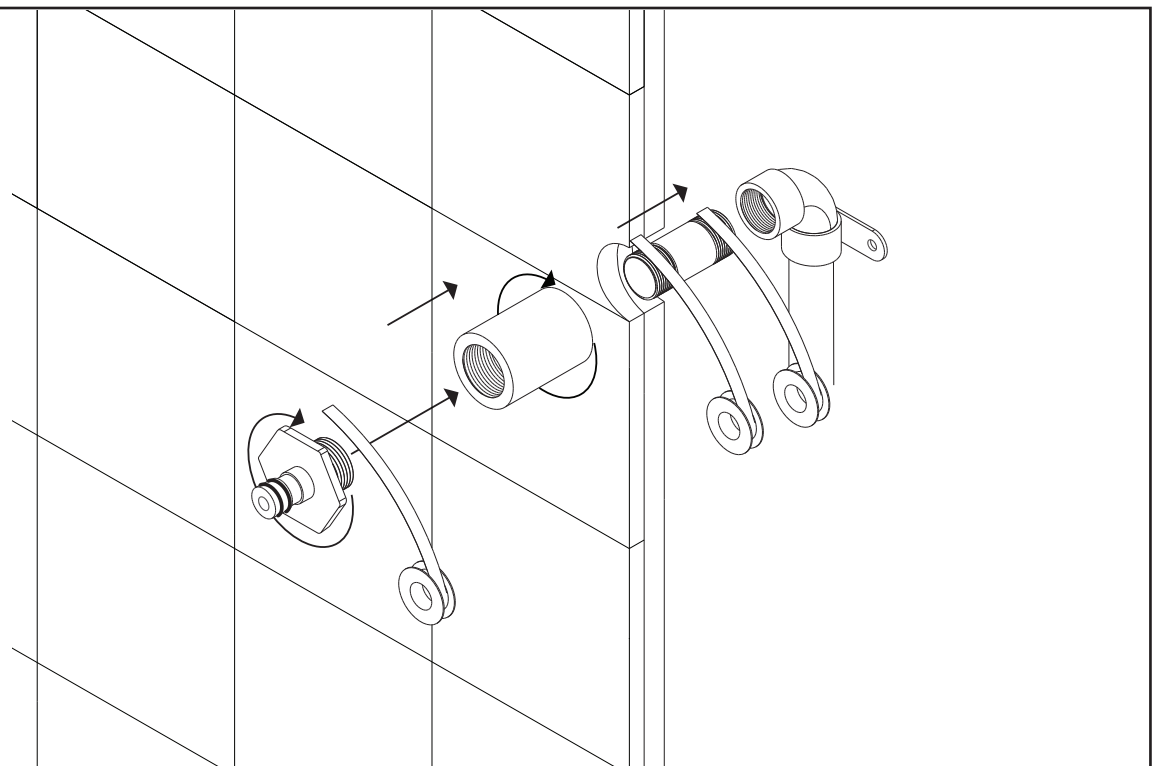
1-3/8" DIAMETER THROU  
FINISHED WALL



#### STEP 3

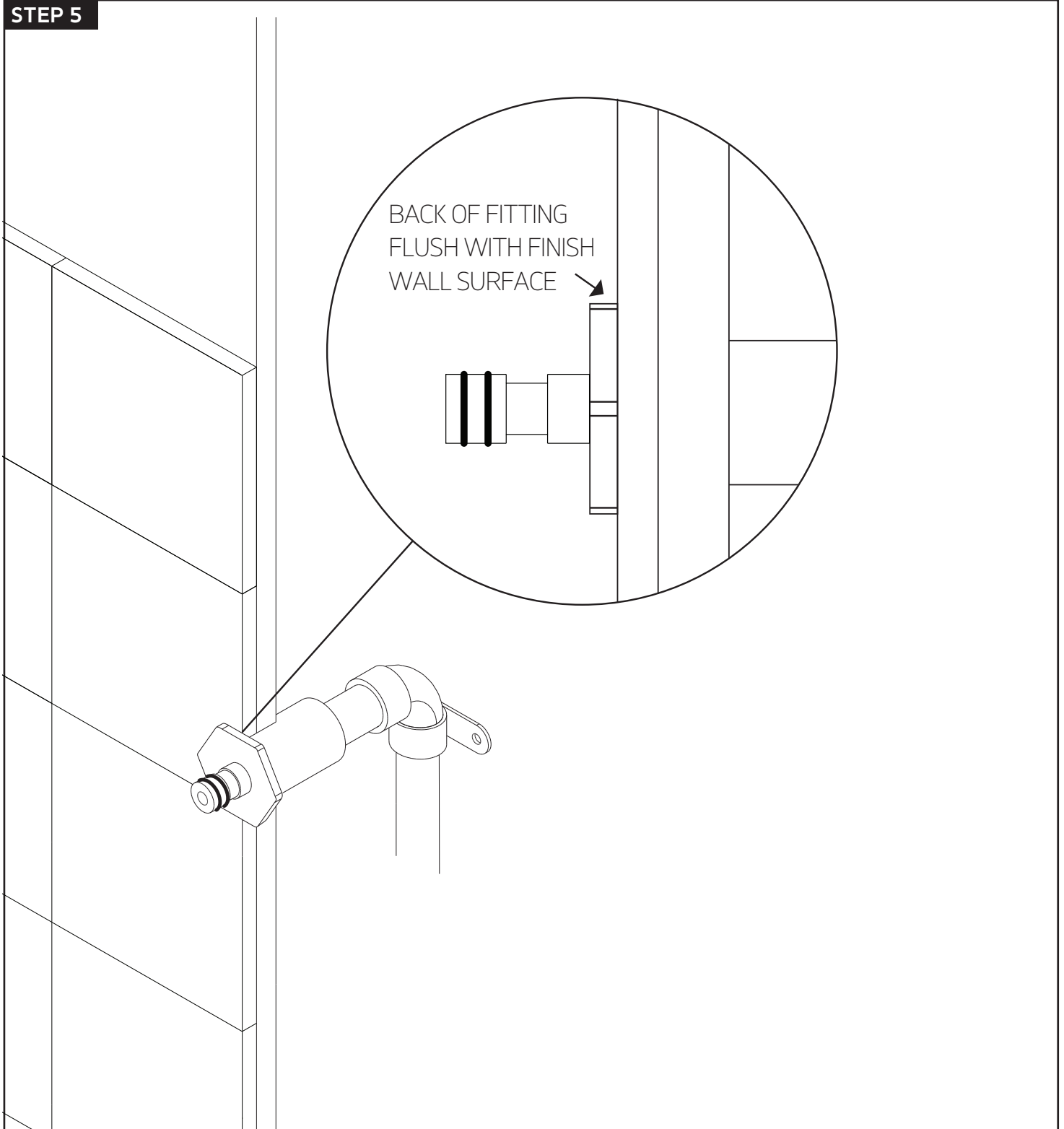


#### STEP 4



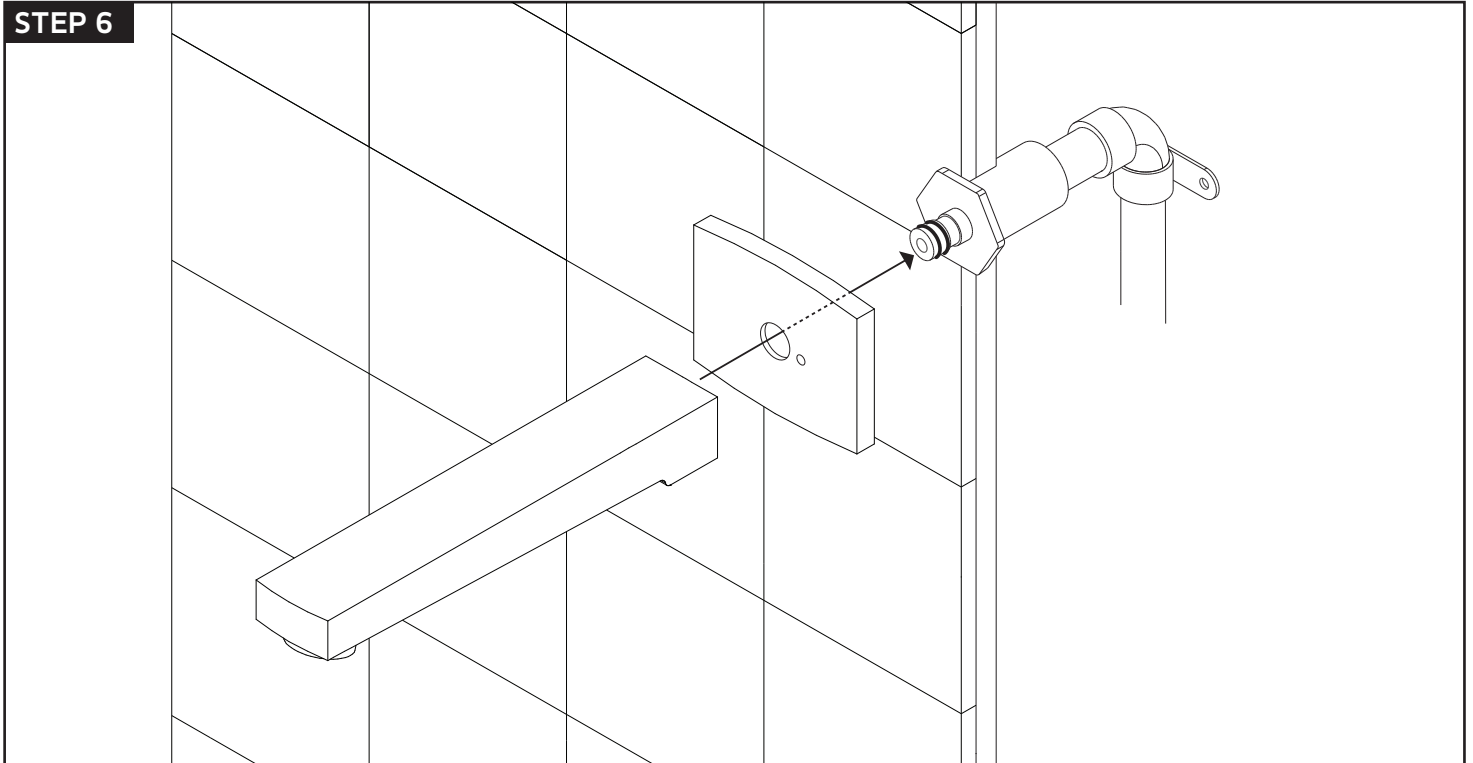
# INSTALLATION STEPS

## STEP 5

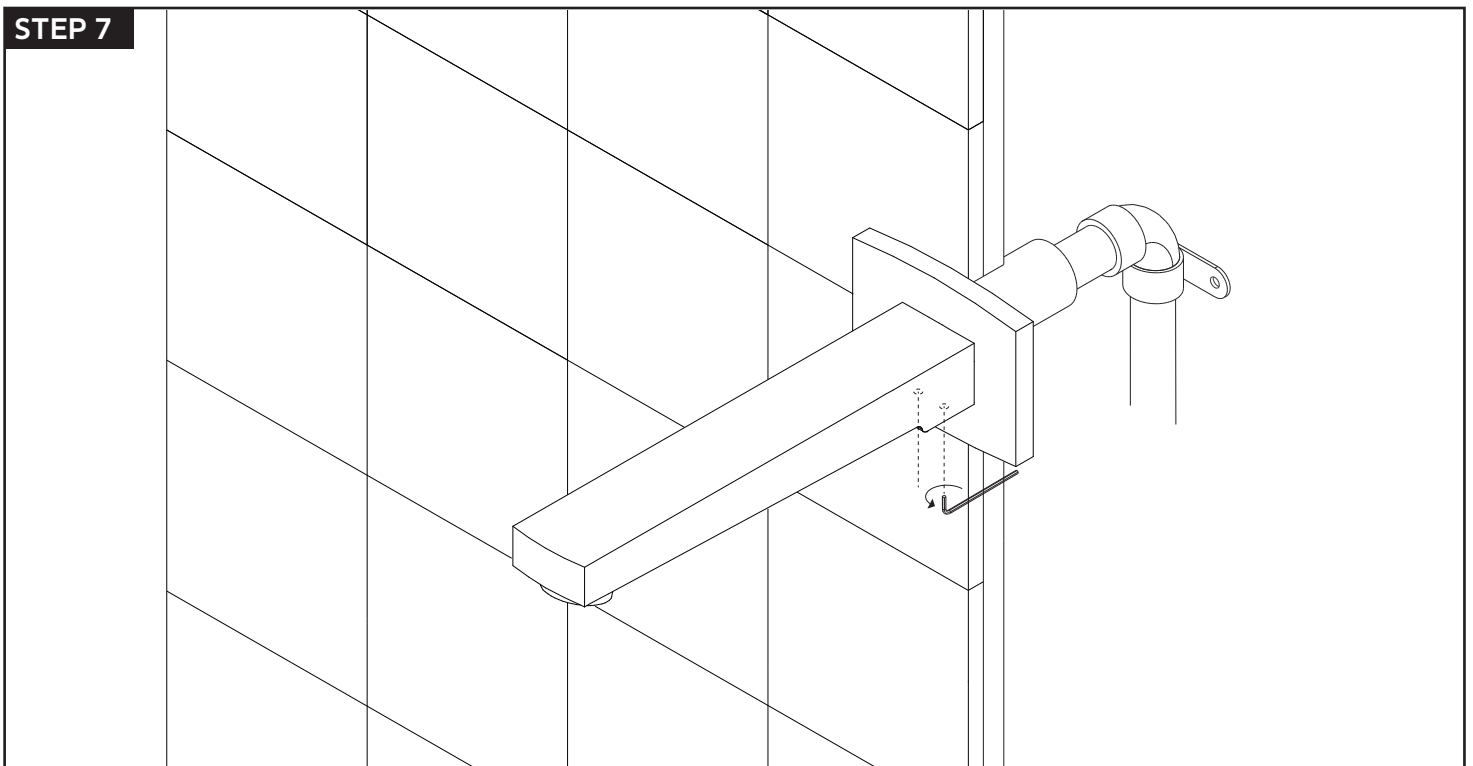


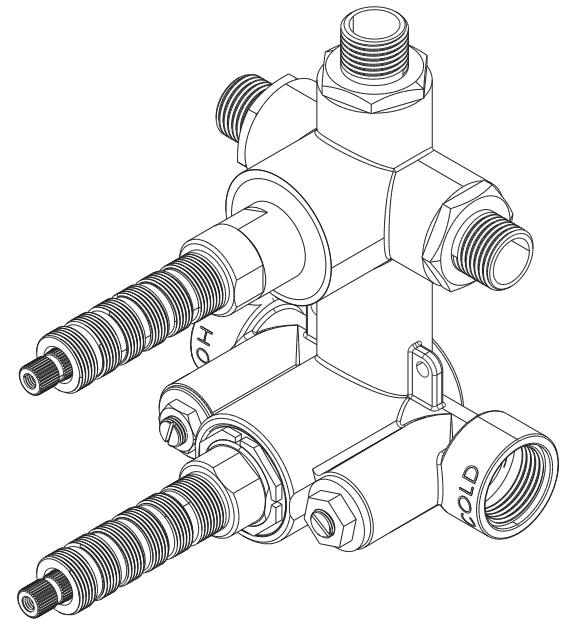
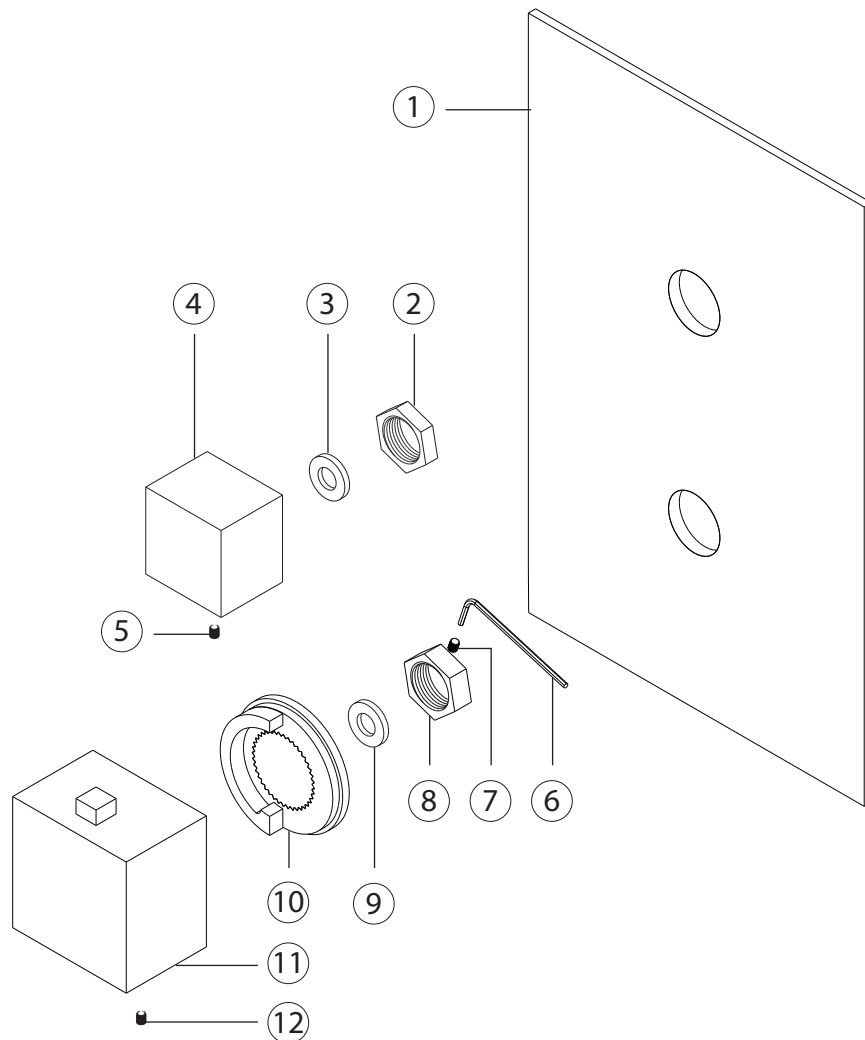
tub filler

**STEP 6**

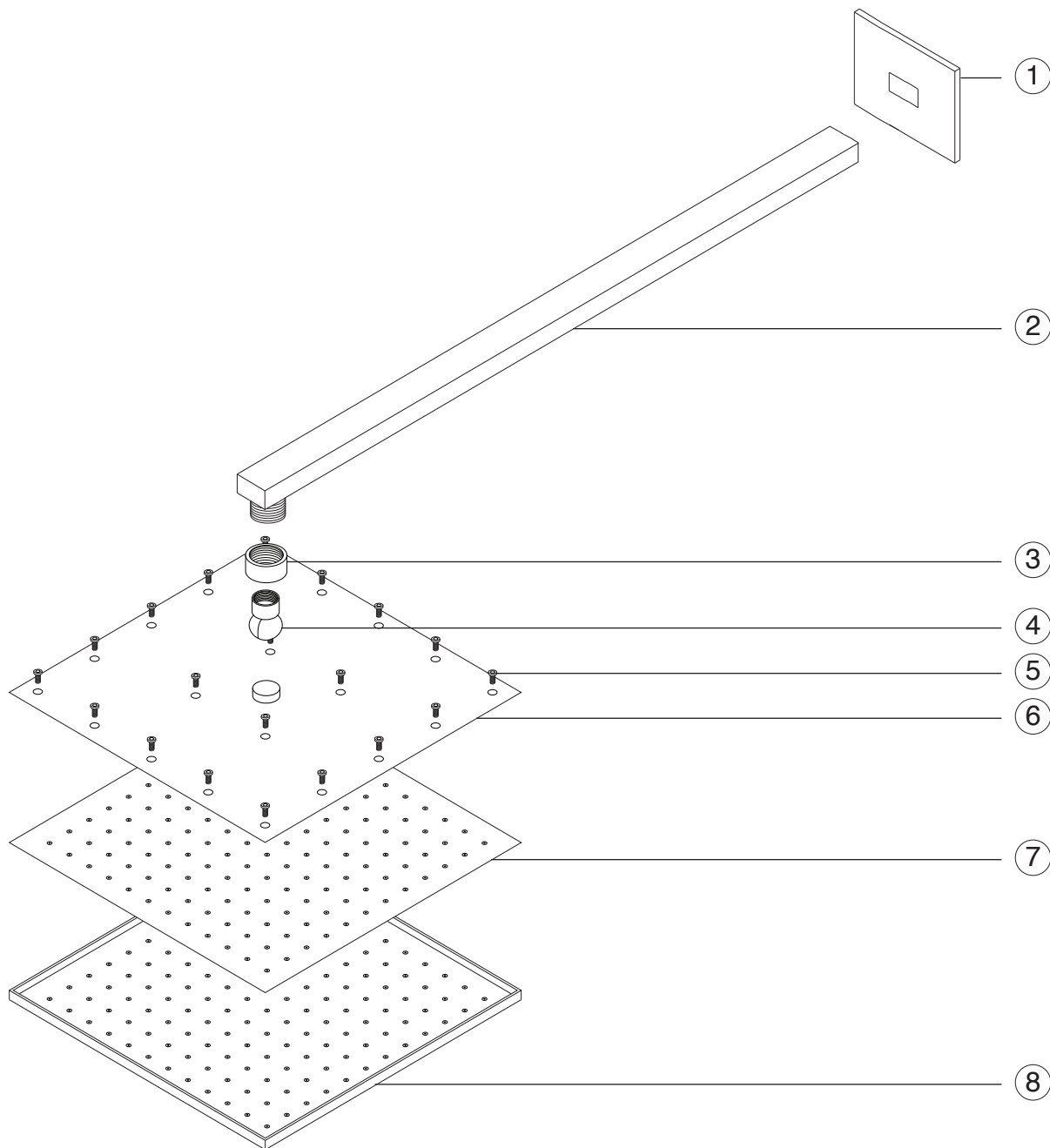


**STEP 7**



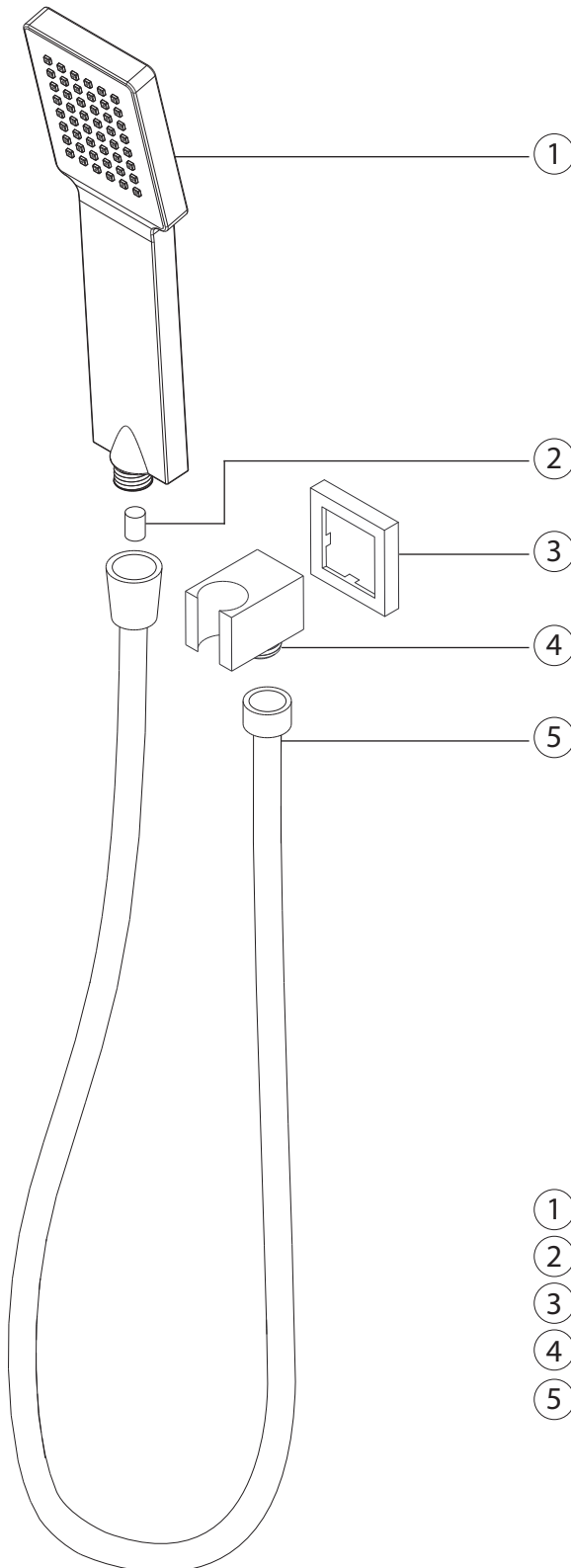


- |   |  |
|---|--|
| ① <b>ESCUTCHEON</b> F903B-59TK XP1            | ⑧ <b>THERMOSTAT LOCKING NUT</b> F903B-59TK XP8     |
| ② <b>DIVERTER LOCKING NUT</b> F903B-59TK XP2  | ⑨ <b>NYLON WASHER</b> F903B-59TK XP9               |
| ③ <b>NYLON WASHER</b> F903B-59TK XP3          | ⑩ <b>TEMPERATURE LIMITING RING</b> F903B-59TK XP10 |
| ④ <b>DIVERTER HANDLE</b> F903B-59TK XP4       | ⑪ <b>THERMOSTAT HANDLE</b> F903B-59TK XP11         |
| ⑤ <b>DIVERTER SET SCREW</b> F903B-59TK XP5    | ⑫ <b>THERMOSTAT SET SCREW</b> F903B-59TK XP12      |
| ⑥ <b>ALLEN WRENCH</b> F903B-59TK XP6          |  |
| ⑦ <b>LOCKING NUT SET SCREW</b> F903B-59TK XP7 |  |

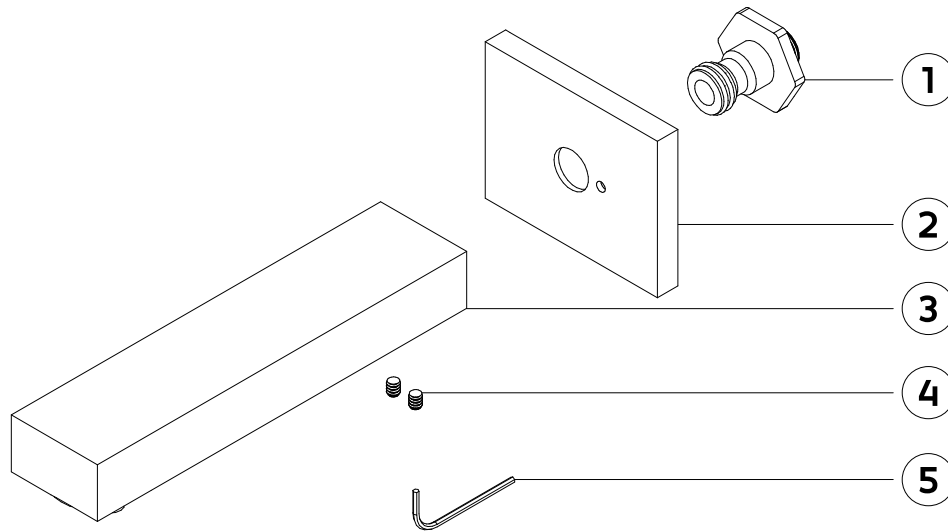


- ① **SHOWER ESCUTCHEON** F907-50 XP1
- ② **SHOWER ARM** F907-50 XP2
- ③ **SWIVEL ARM SECURING NUT** F907-50 XP3
- ④ **SWIVEL ARM** F907-50 XP4
- ⑤ **SHOWER HEAD SCREWS** F907-50 XP5
- ⑥ **SHOWER HEAD TOP** F907-50 XP6

- ⑦ **RUBBER MATRIX** F907-50 XP7
- ⑧ **SHOWER HEAD BOTTOM** F907-50 XP8



- ① **HAND SHOWER** F703-6 XP1
- ② **HAND SHOWER CHECK VALVE** F703-6 XP2
- ③ **ESCUTCHEON PLATE** F703-6 XP3
- ④ **SHOWER OUTLET ELBOW AND HOLDER** F703-6 XP4
- ⑤ **SHOWER HOSE** F703-6 XP5



- ① WALL CONNECTION
- ② ESCUTCHEON
- ③ SPOUT
- ④ SET SCREW (2)
- ⑤ ALLEN WRENCH