

# artos®

## PS117

## INSTALLATION GUIDE

premier series shower set

BRUSHED NICKEL(BN)



CHROME(CH)



BLACK (BK)



# artos®

## PS117

premier series shower set

## OPERATING SPECIFICATIONS



### FEATURES

Solid Brass  
3-Outlets

### INCLUDES

F903B-60TK  
F907-70  
F907-24



### OPERATING PRESSURE

Minimum: 15 psi  
Maximum: 75 psi  
Above 90psi it may be necessary to install a pressure reducer

### OPERATING TEMPERATURE

Maximum: 176°

### FLOW CAPACITY

Hand Shower: 1.8 USGPM  
Shower Head: 1.8 USGPM

### F901-8 APPROVAL



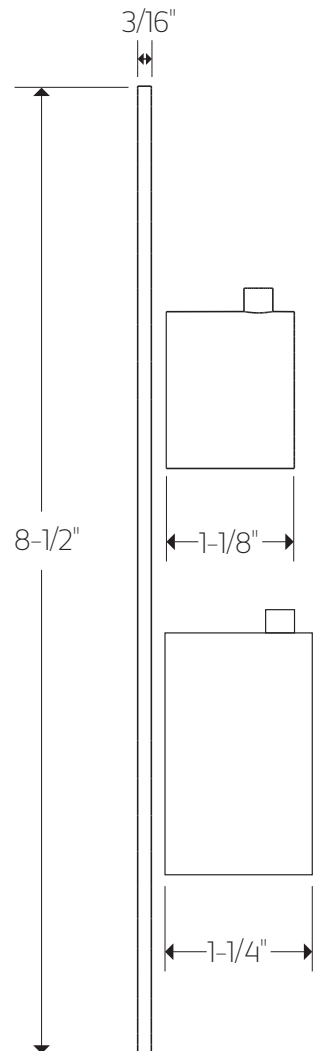
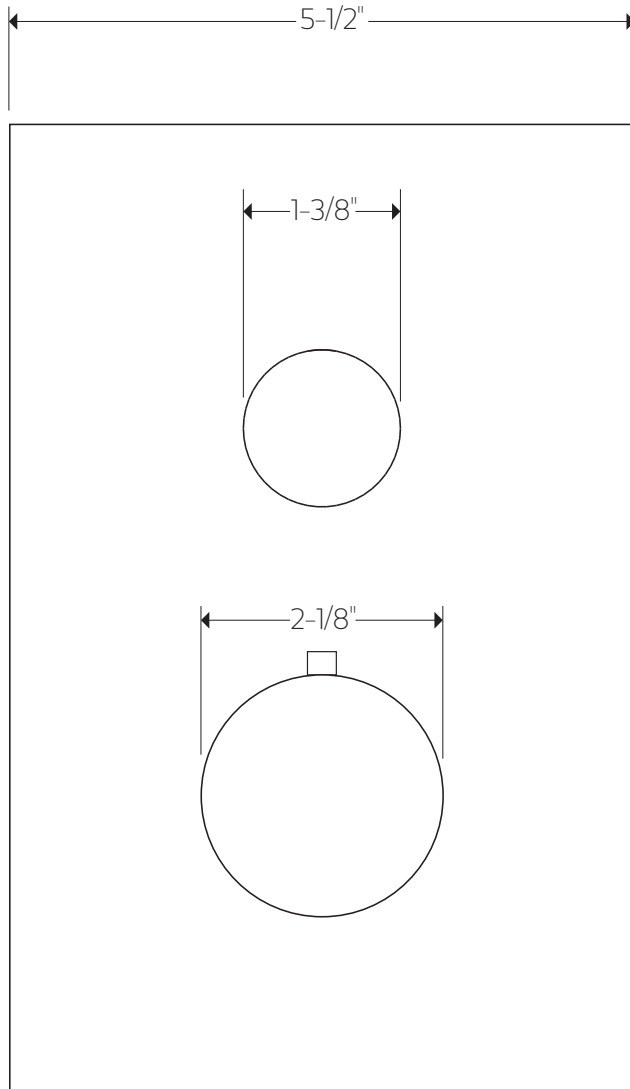
# artos<sup>®</sup>

PS117

## PRODUCT DIMENSIONS

premier series shower set

for trim kit



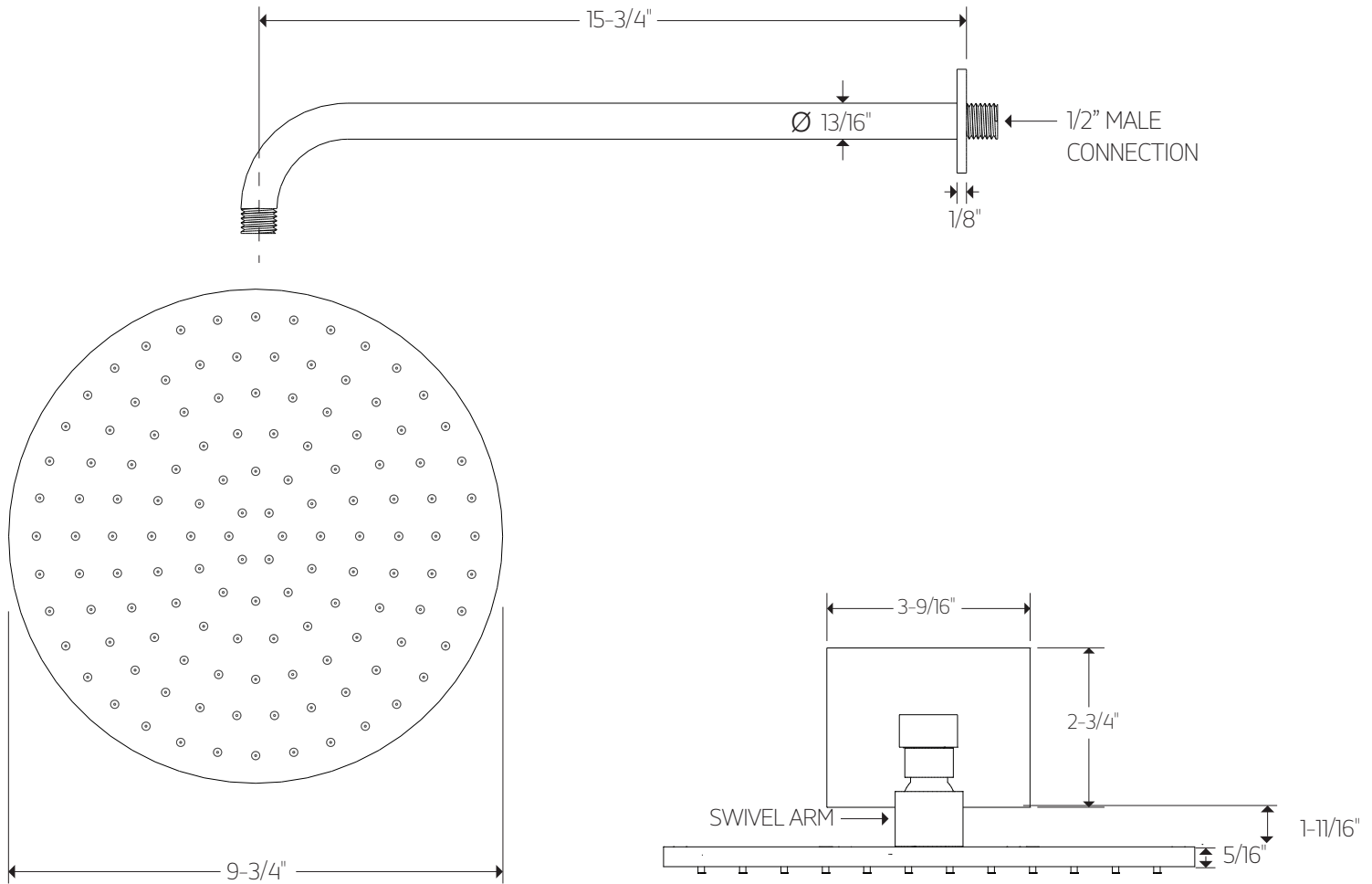
# artos<sup>®</sup>

## PS117

premier series shower set

## PRODUCT DIMENSIONS

for shower head



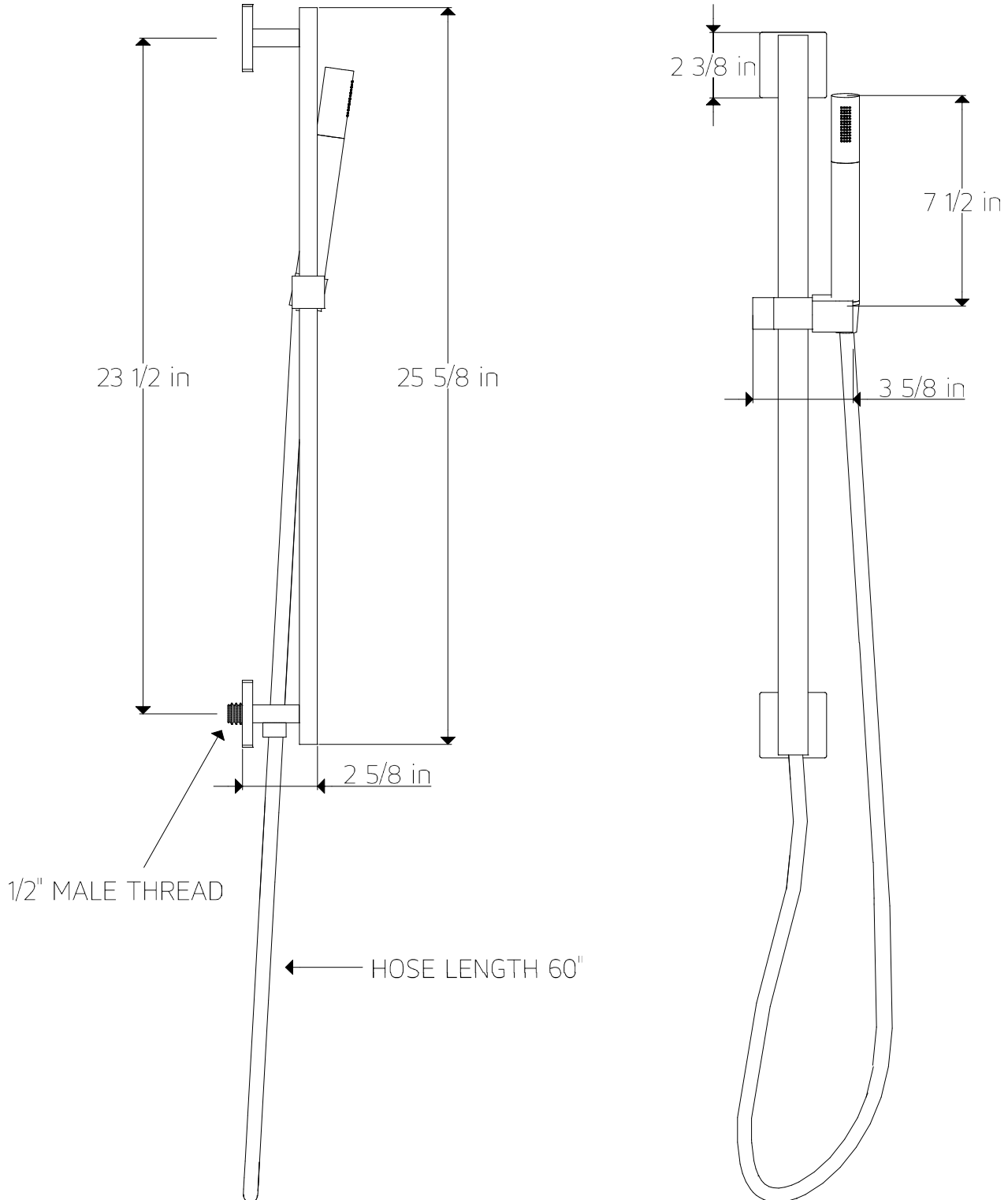
# artos<sup>®</sup>

## PS117

premier series shower kit

### PRODUCT DIMENSIONS

for hand shower



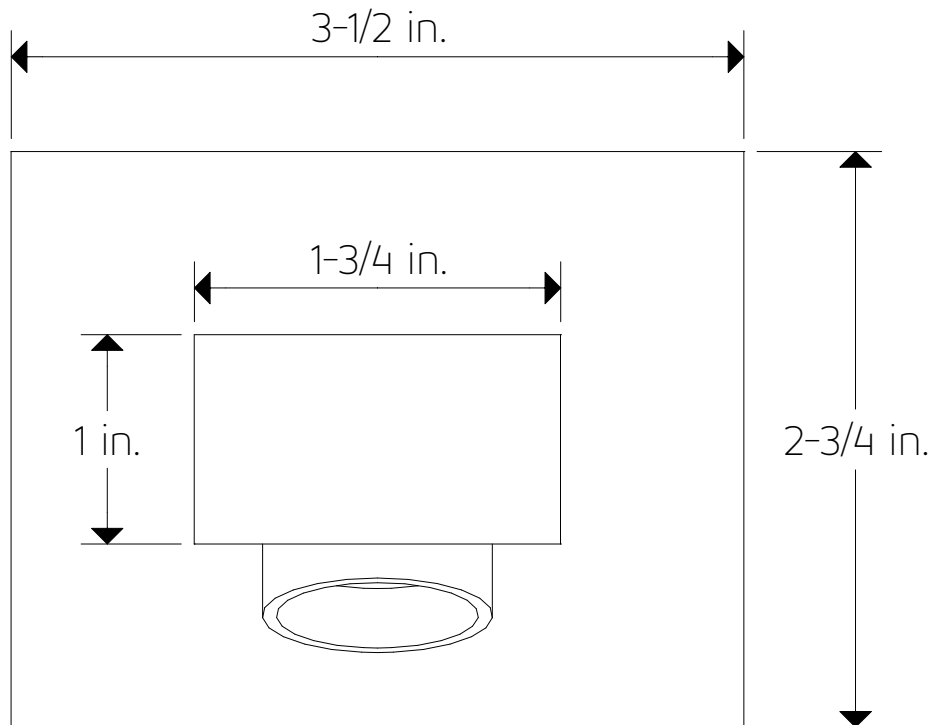
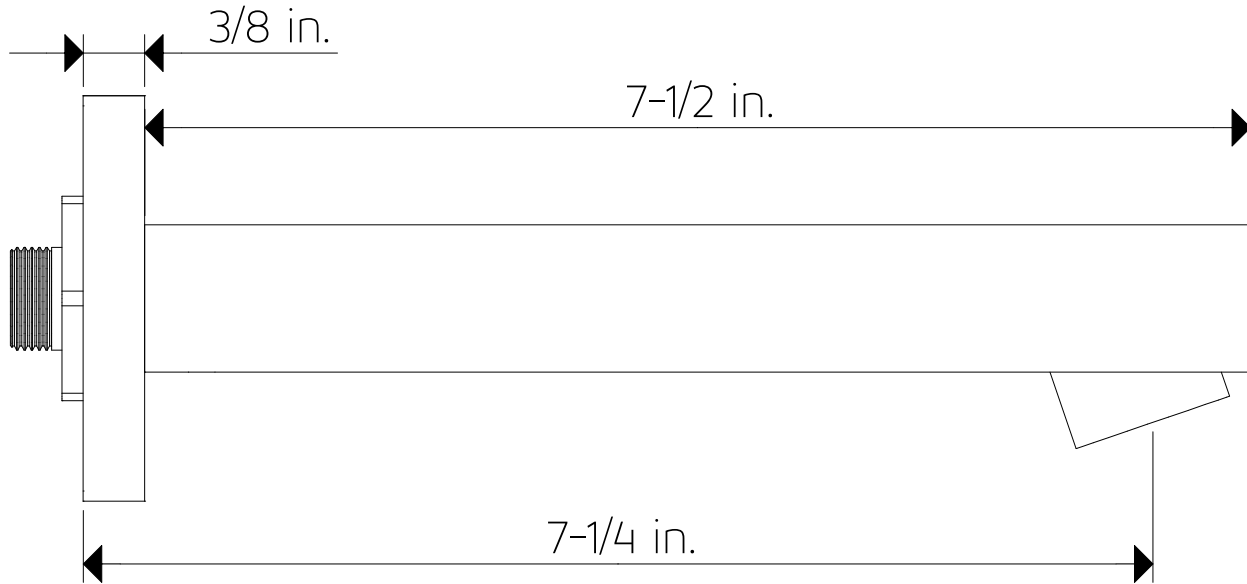
# artos<sup>®</sup>

PS117

premier series shower set

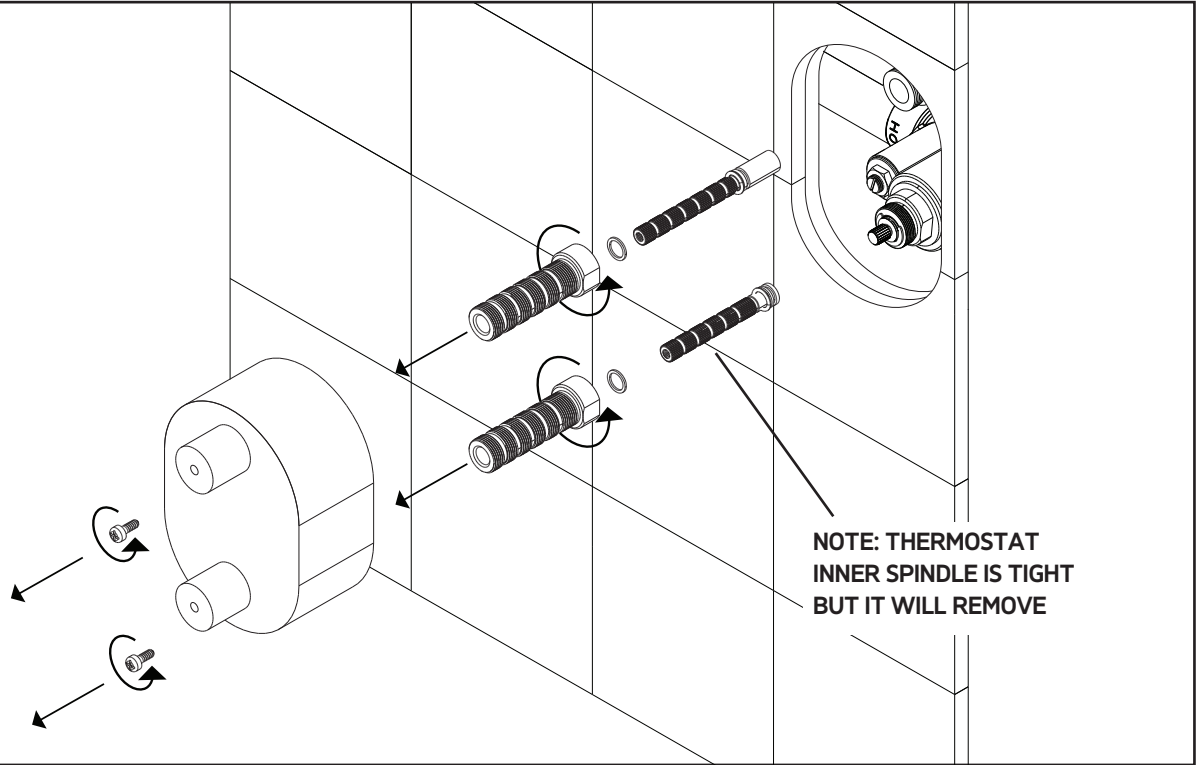
## PRODUCT DIMENSIONS

for tub filler

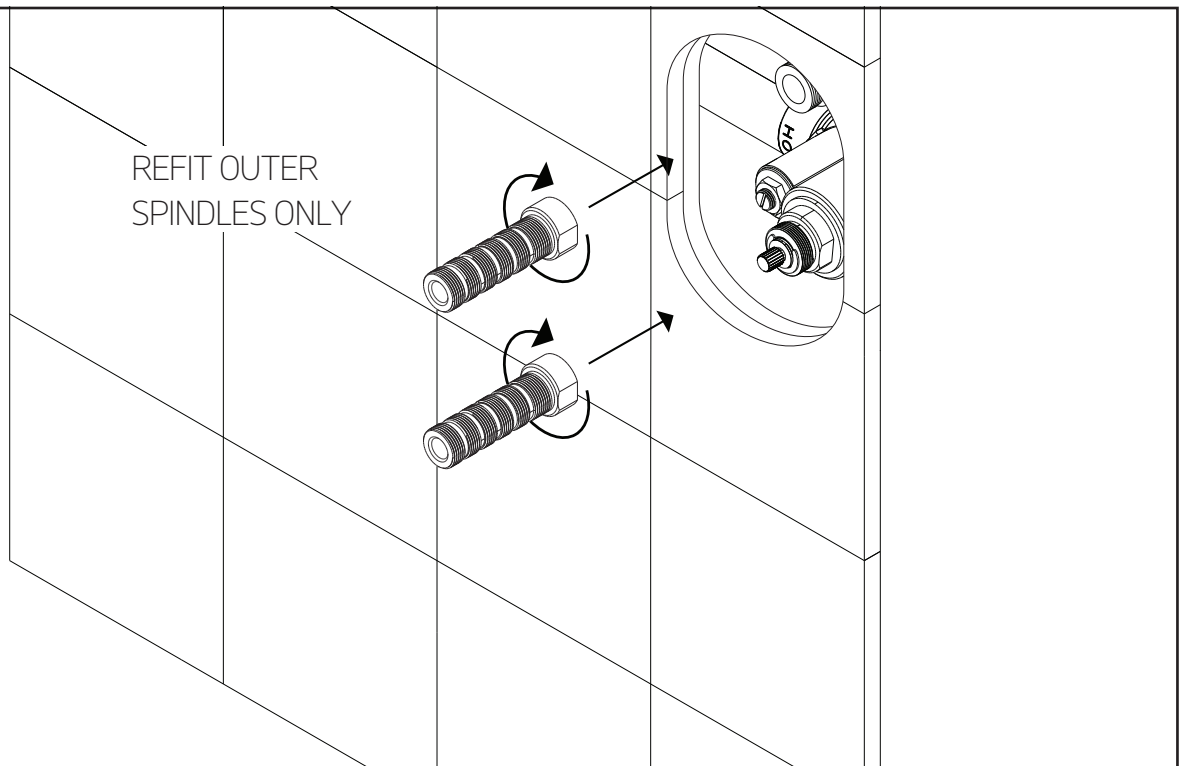


valve trim

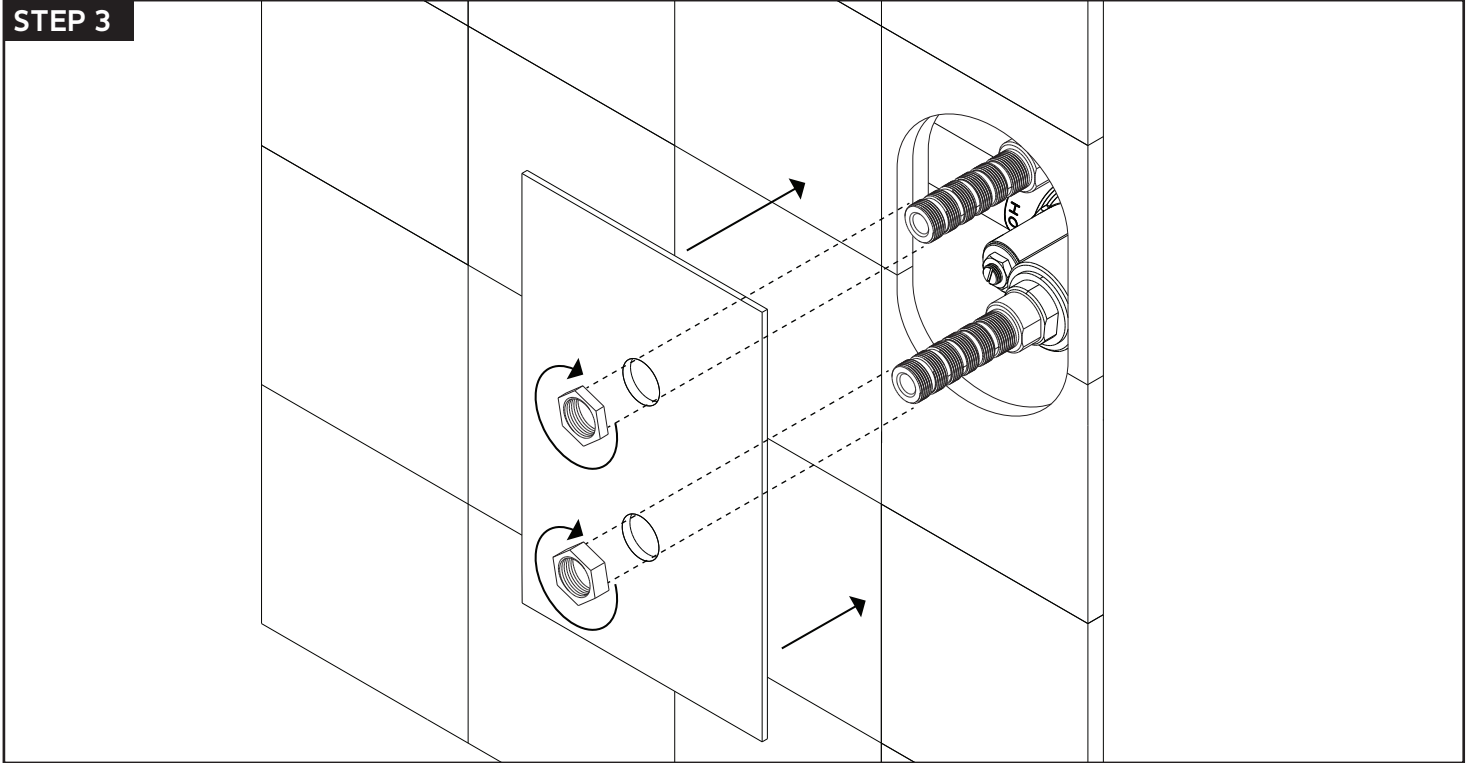
**STEP 1**



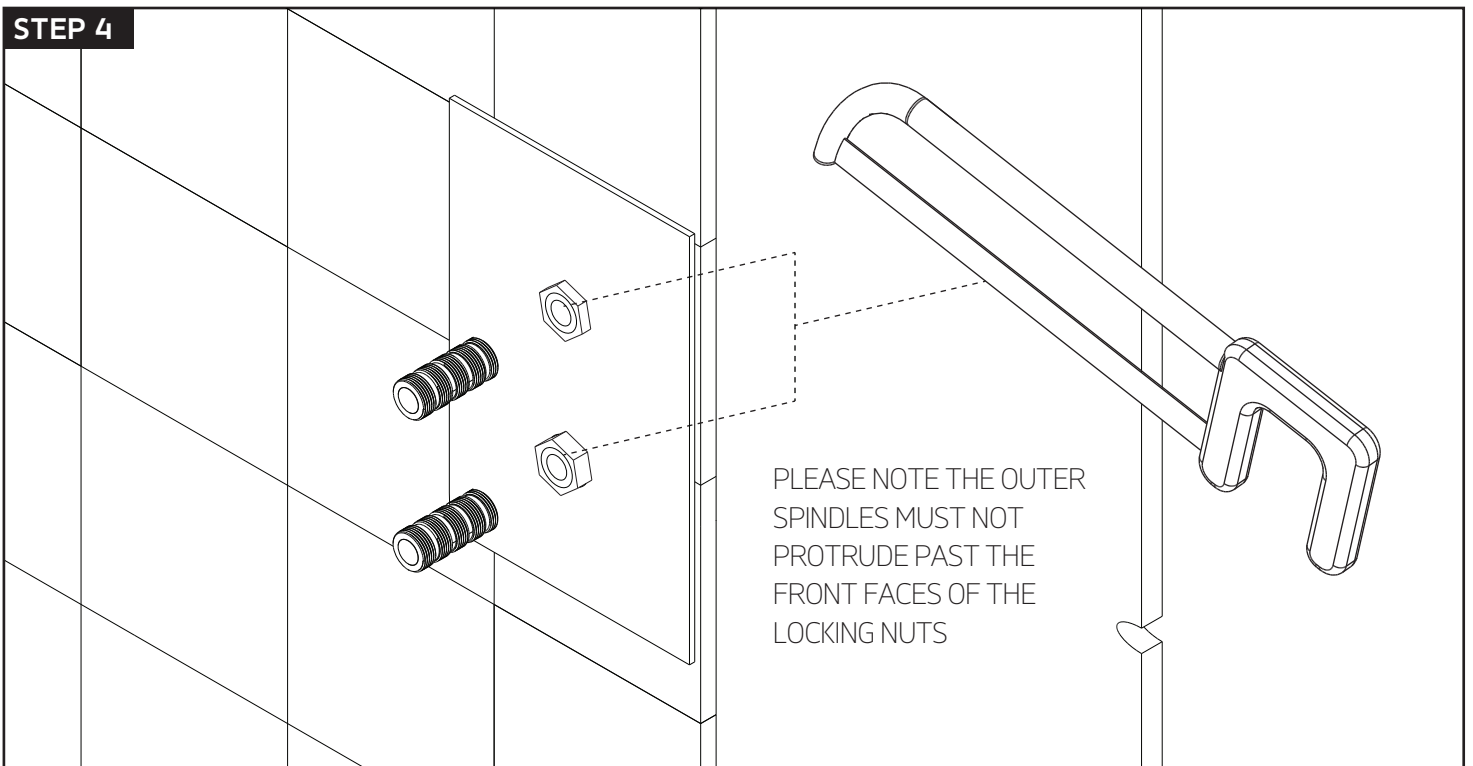
**STEP 2**



#### STEP 3

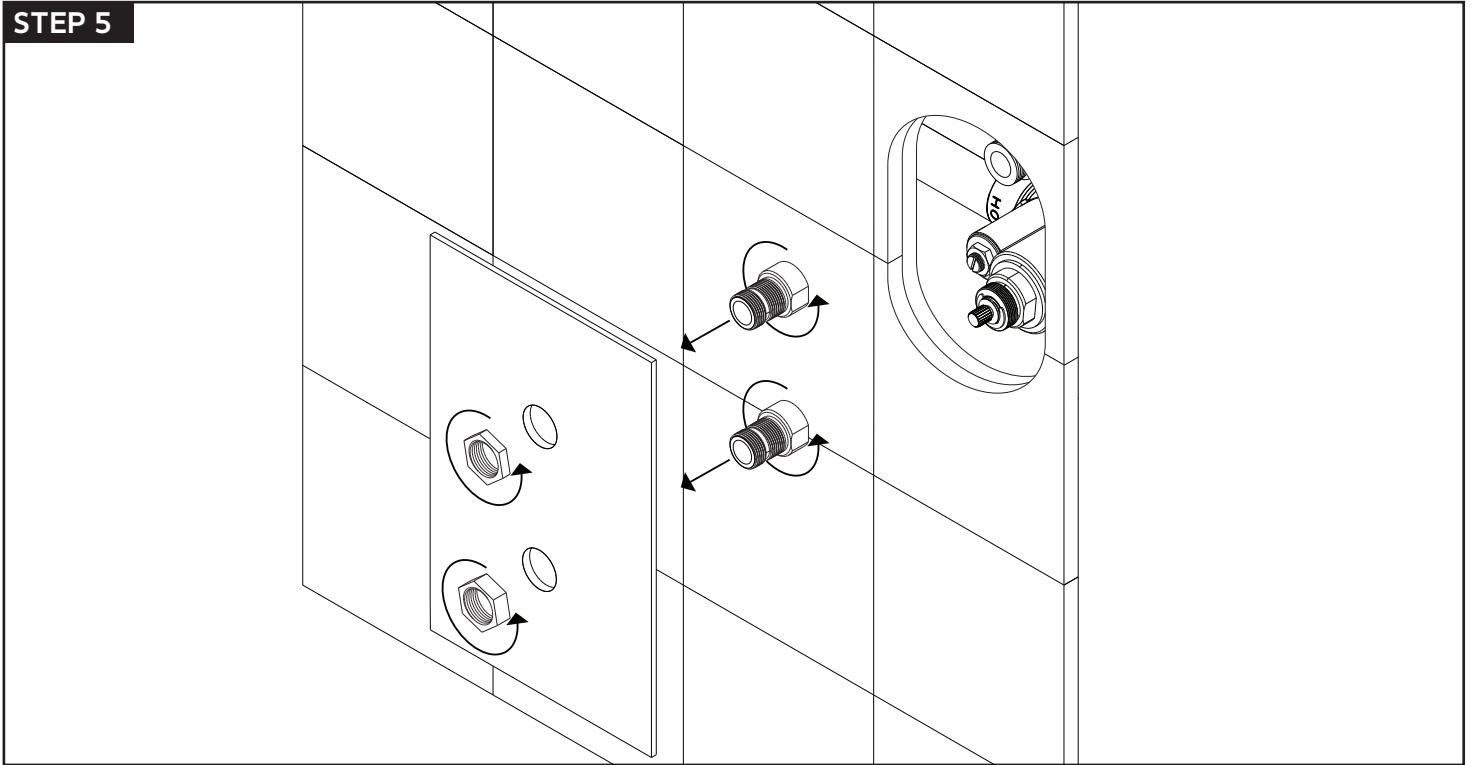


#### STEP 4

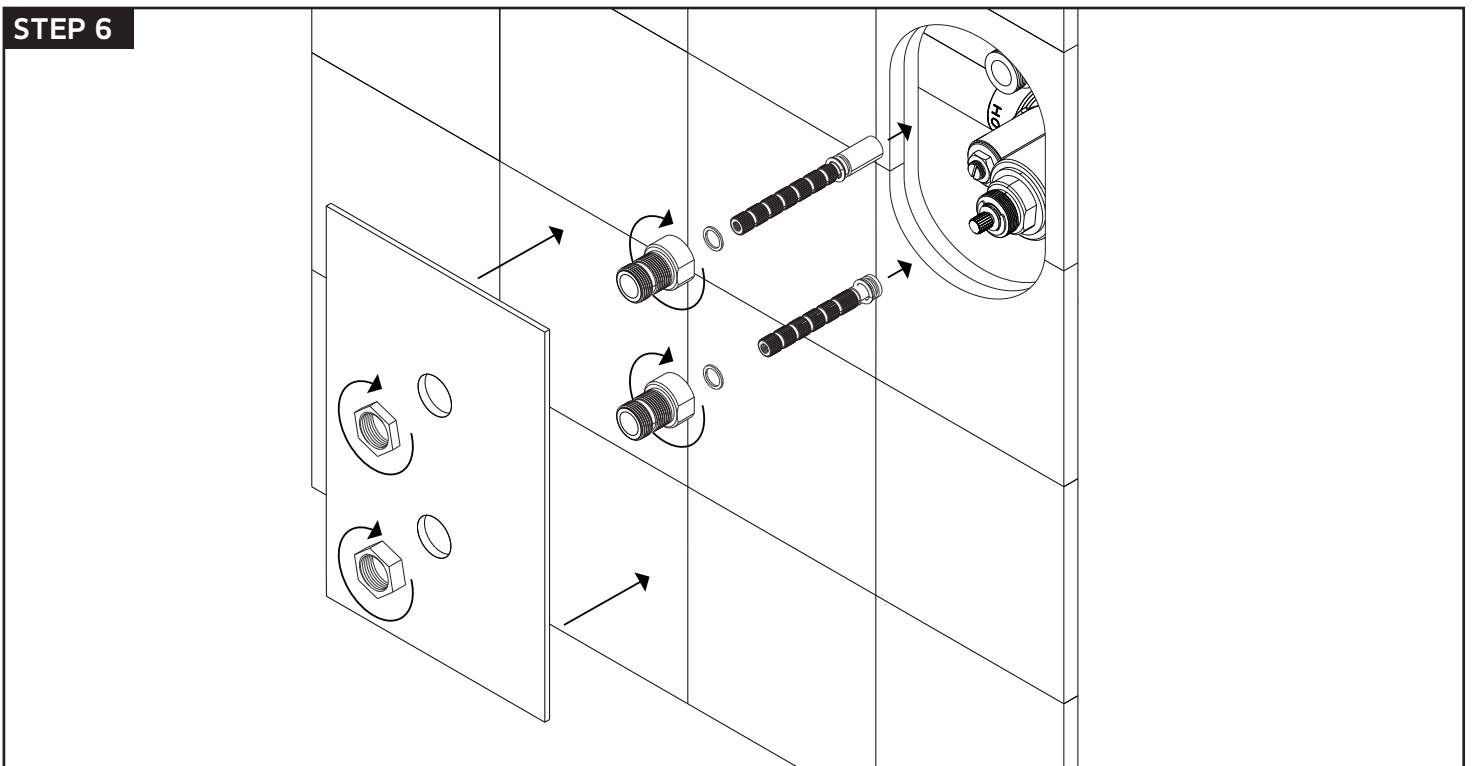


# INSTALLATION STEPS

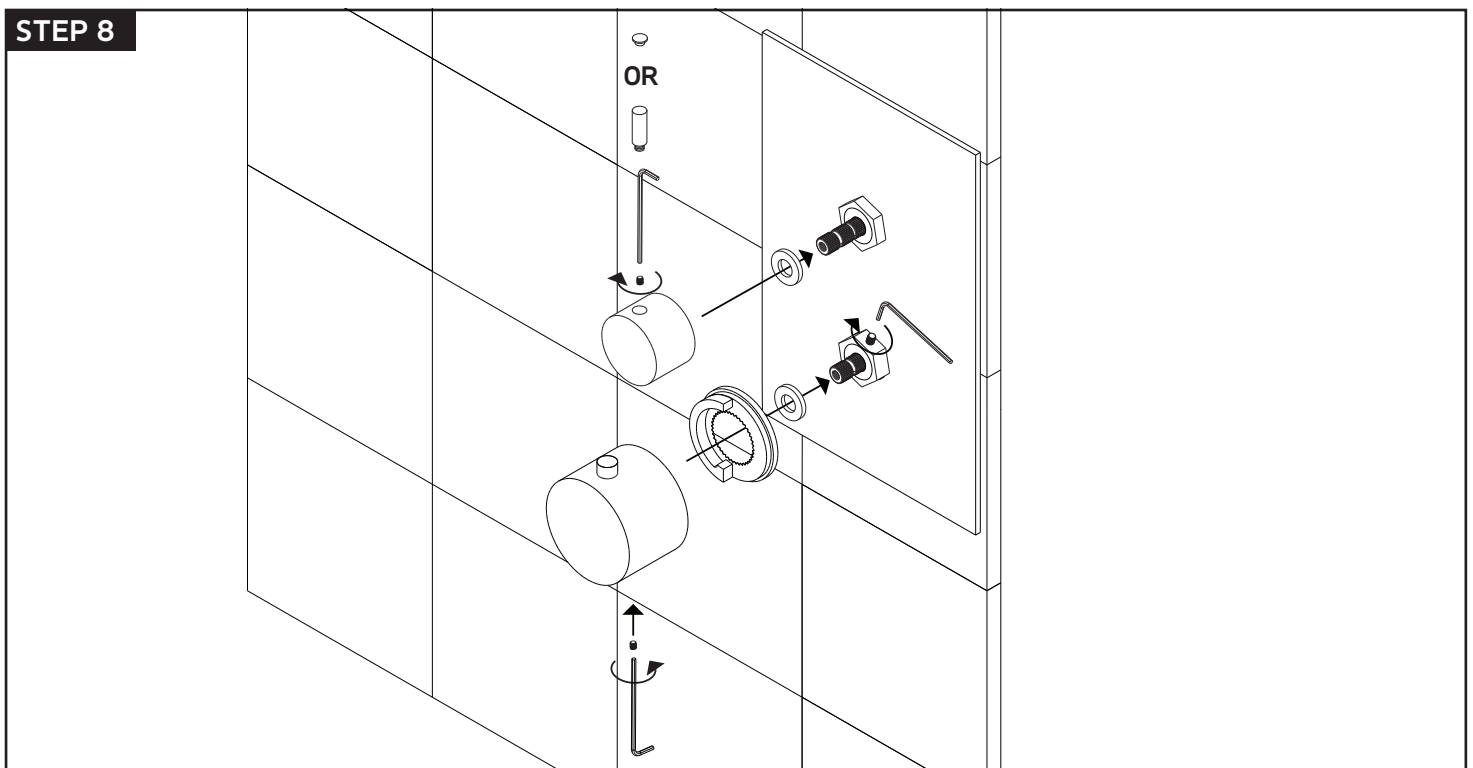
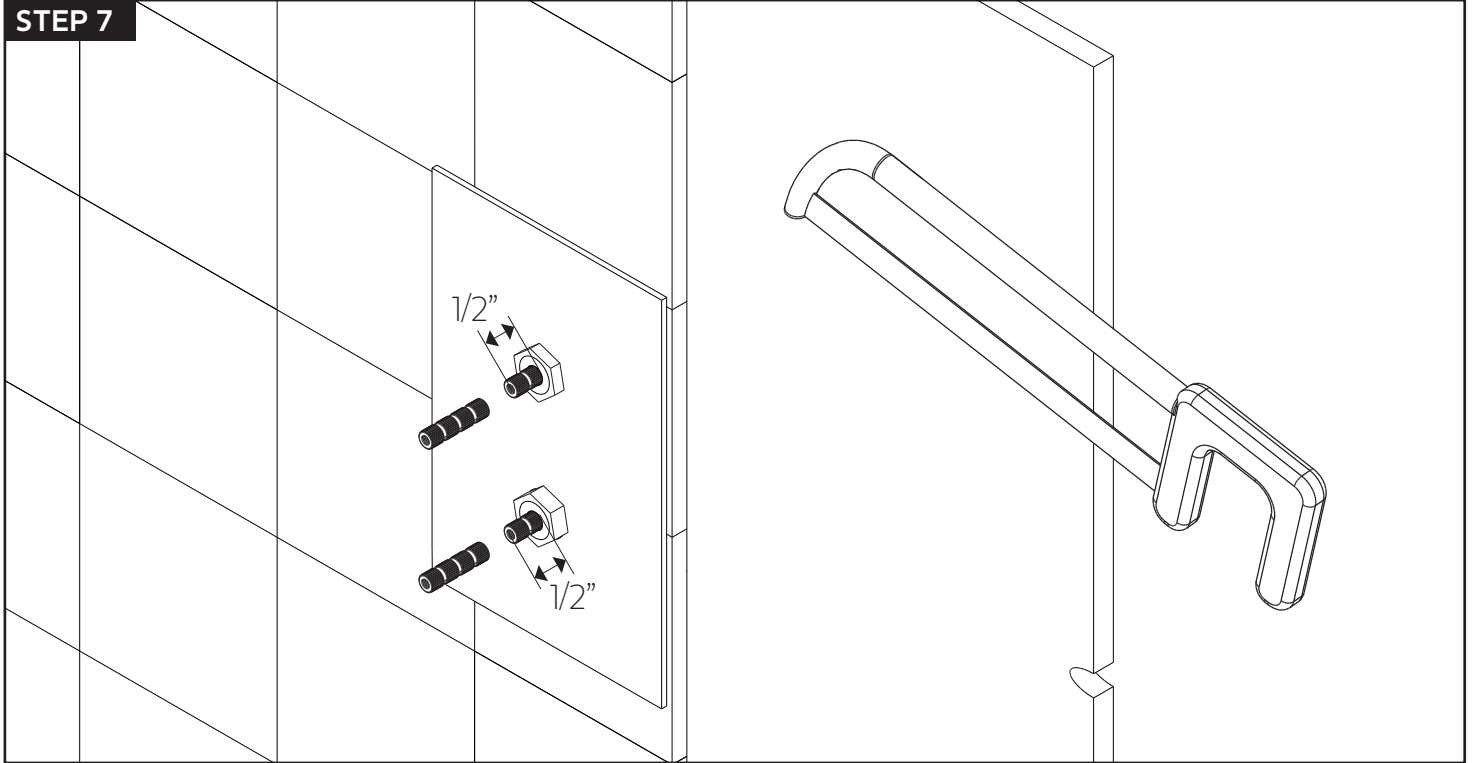
## STEP 5



## STEP 6

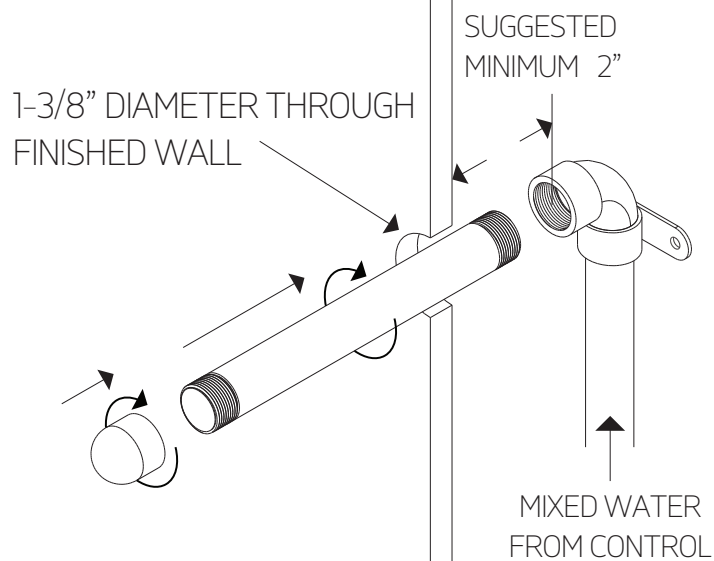


valve trim

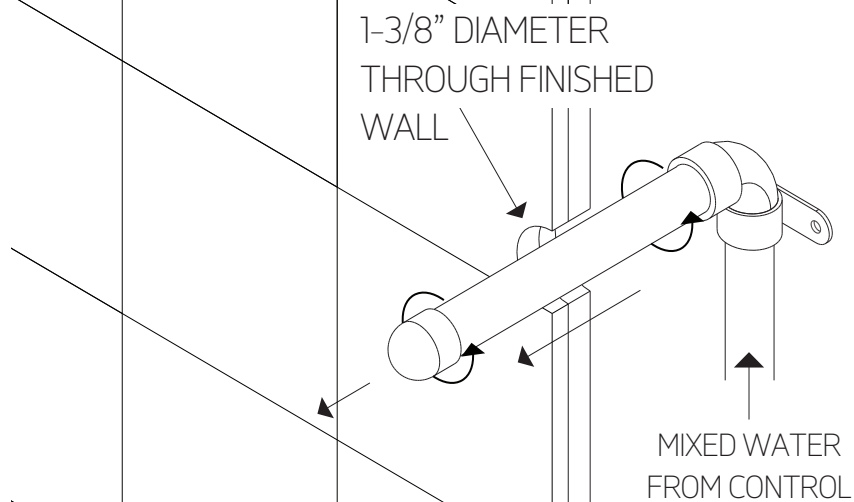


shower head

STEP 1



STEP 2

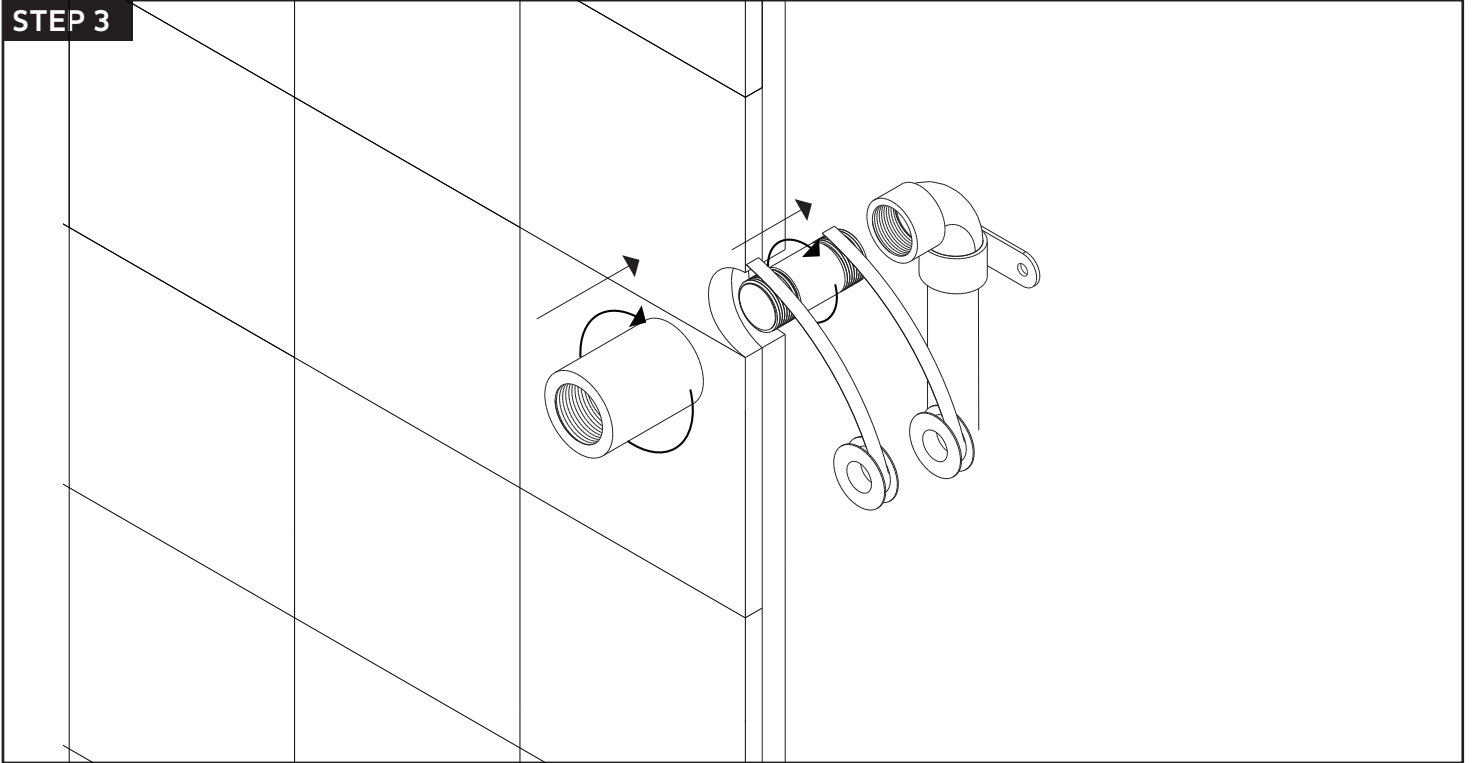


# artos<sup>®</sup>

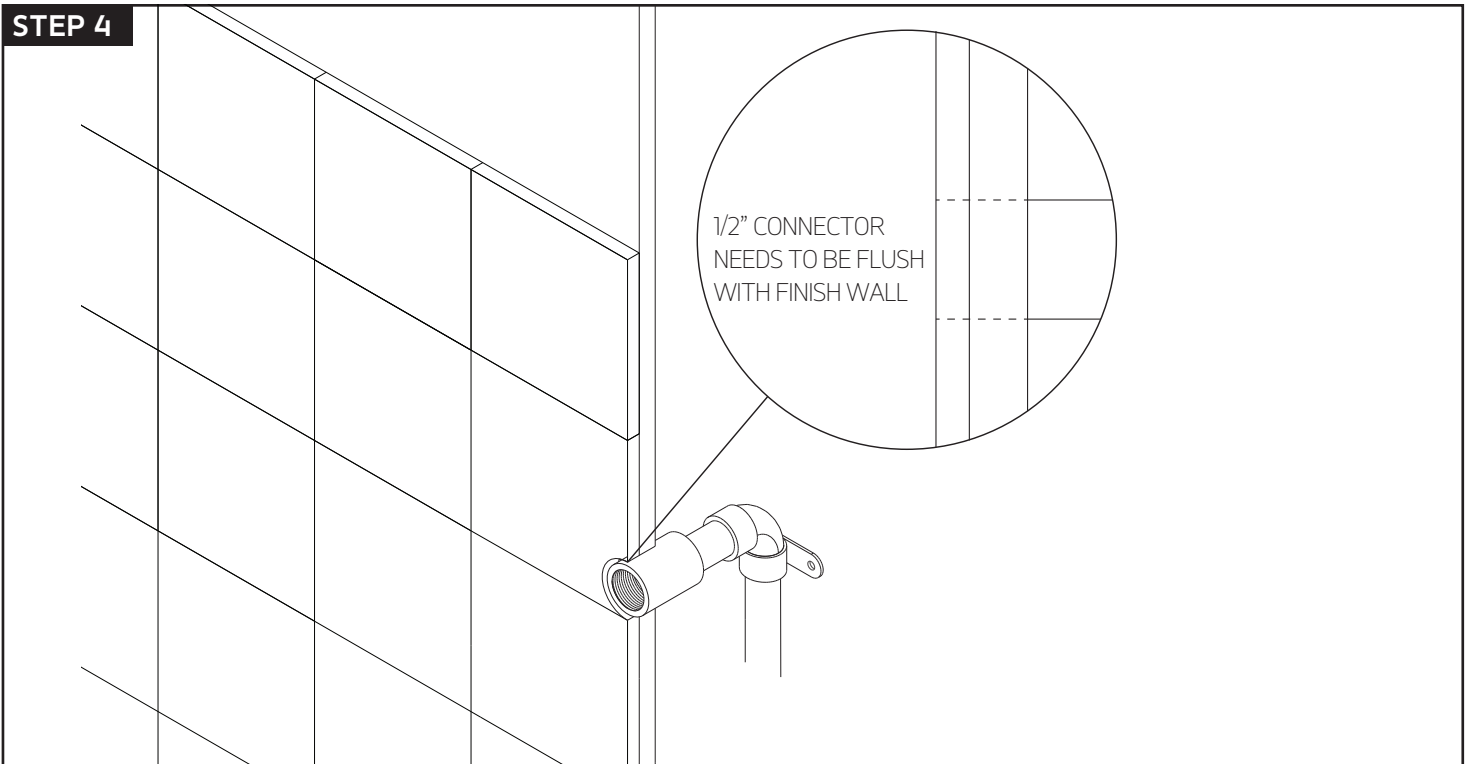
PS117

shower head

**STEP 3**

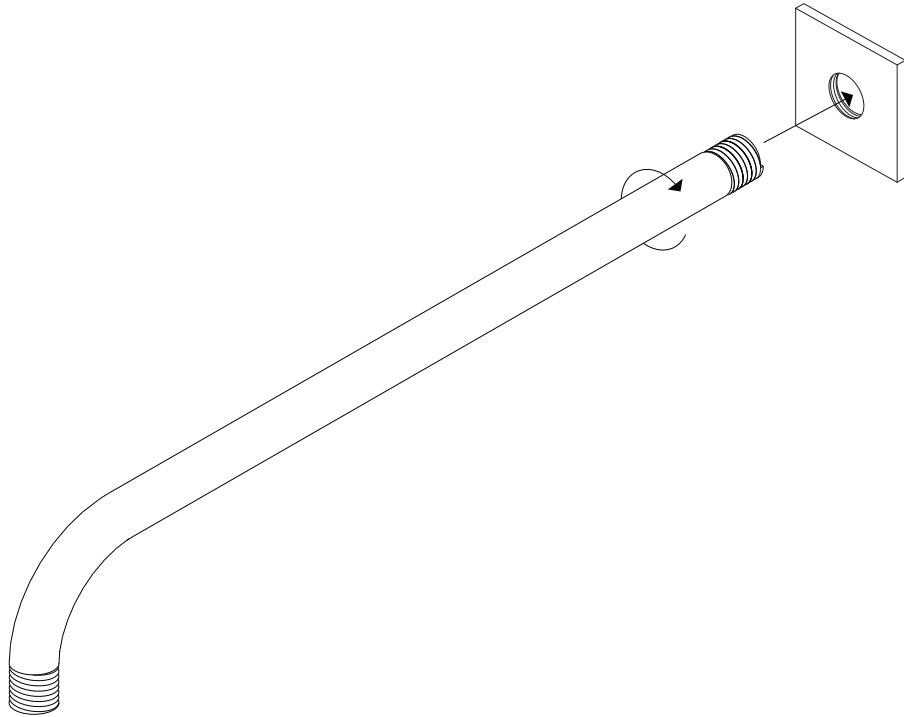


**STEP 4**

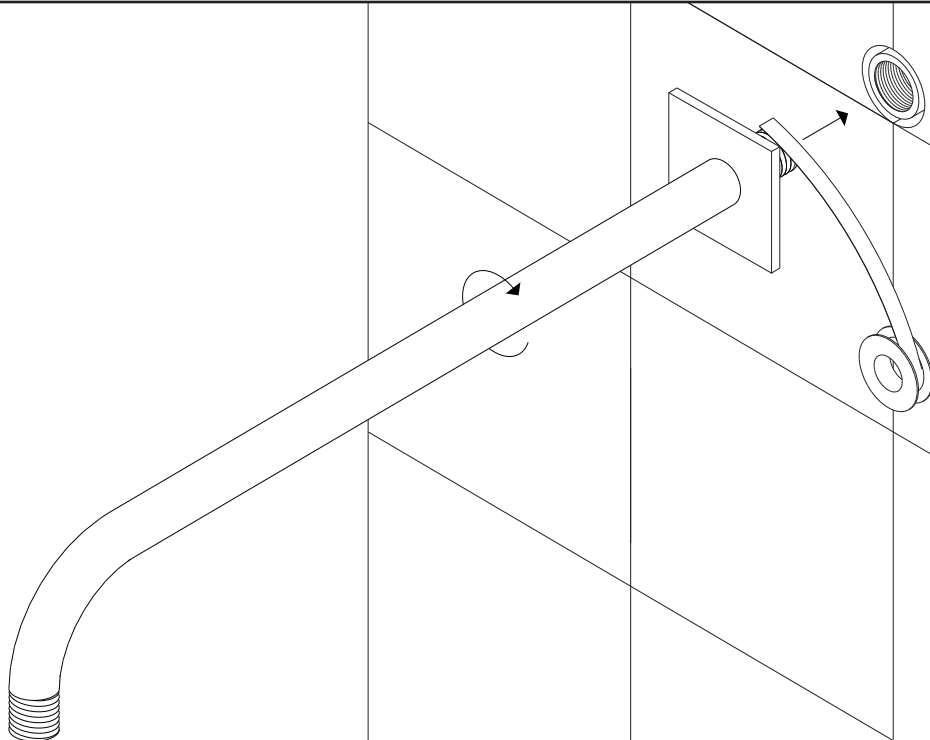


# INSTALLATION STEPS

## STEP 5



## STEP 6



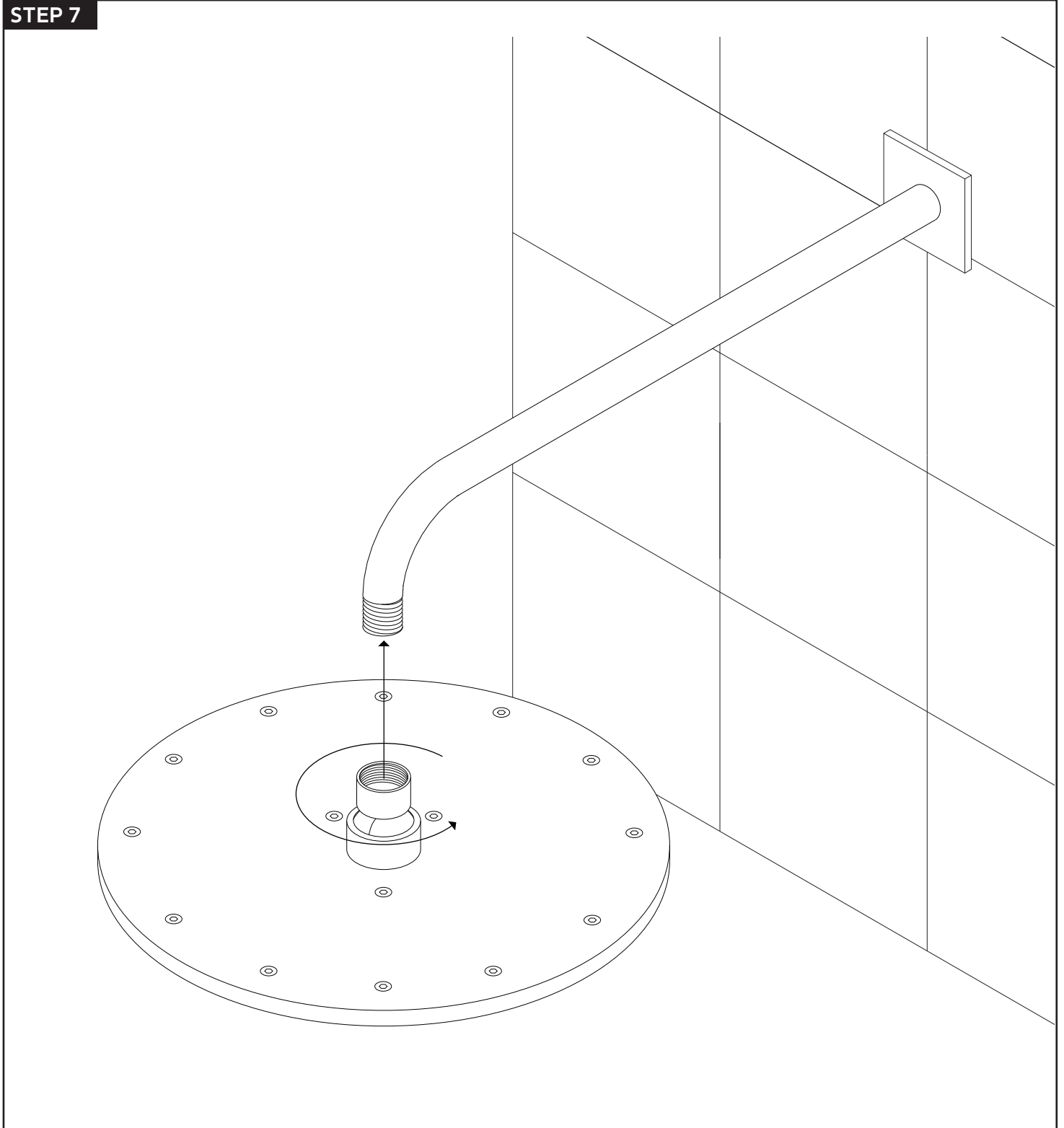
# artos<sup>®</sup>

PS117

INSTALLATION STEPS

shower head

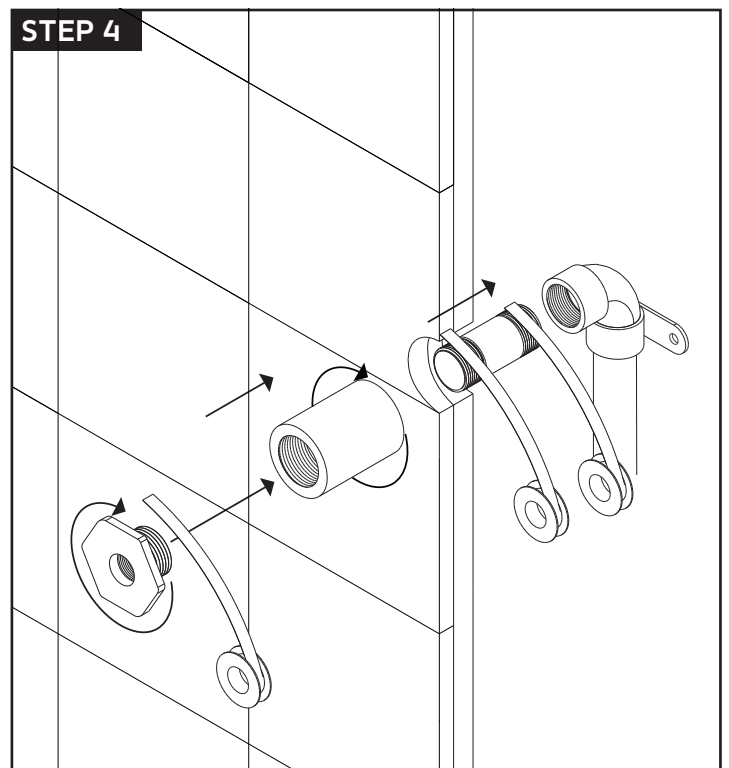
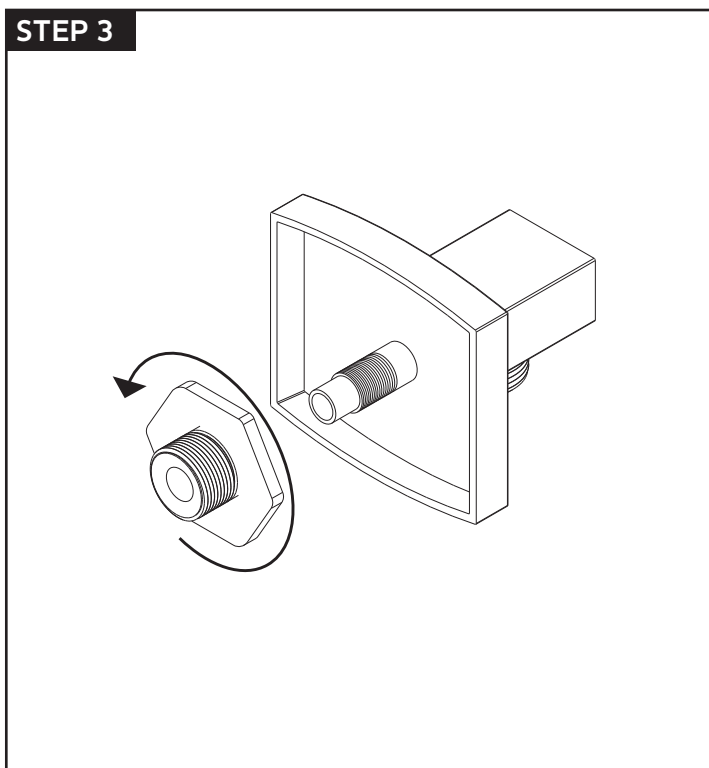
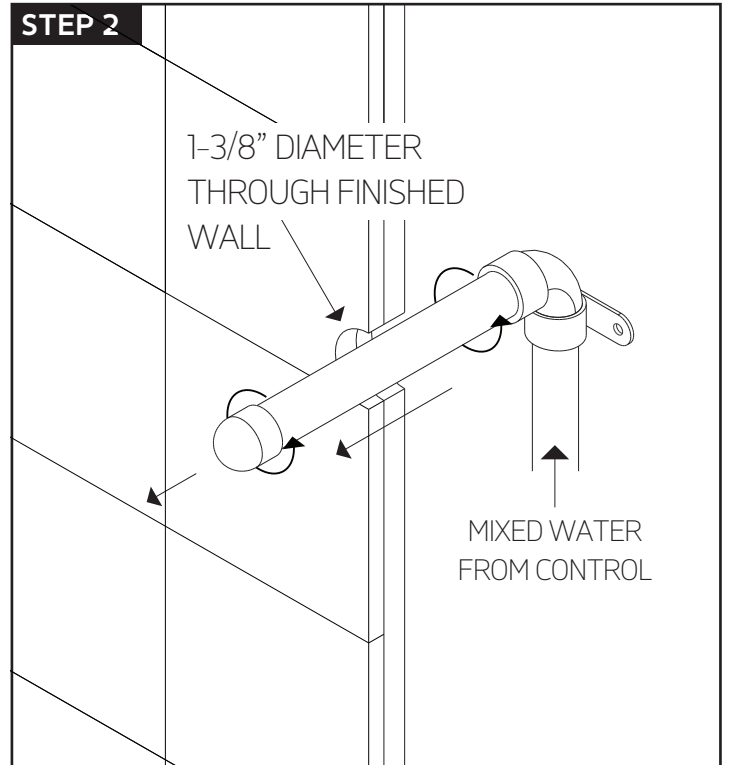
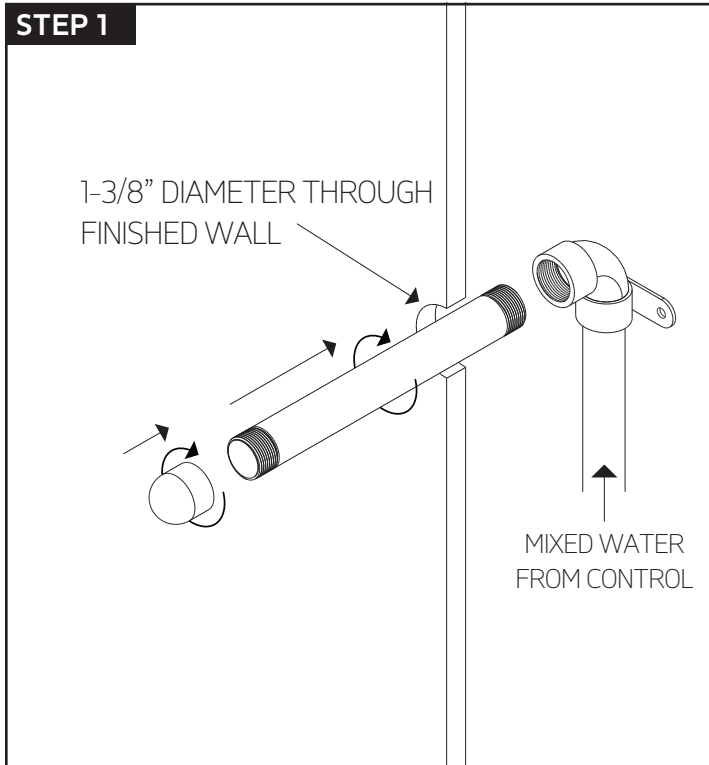
STEP 7



PS117

# INSTALLATION STEPS

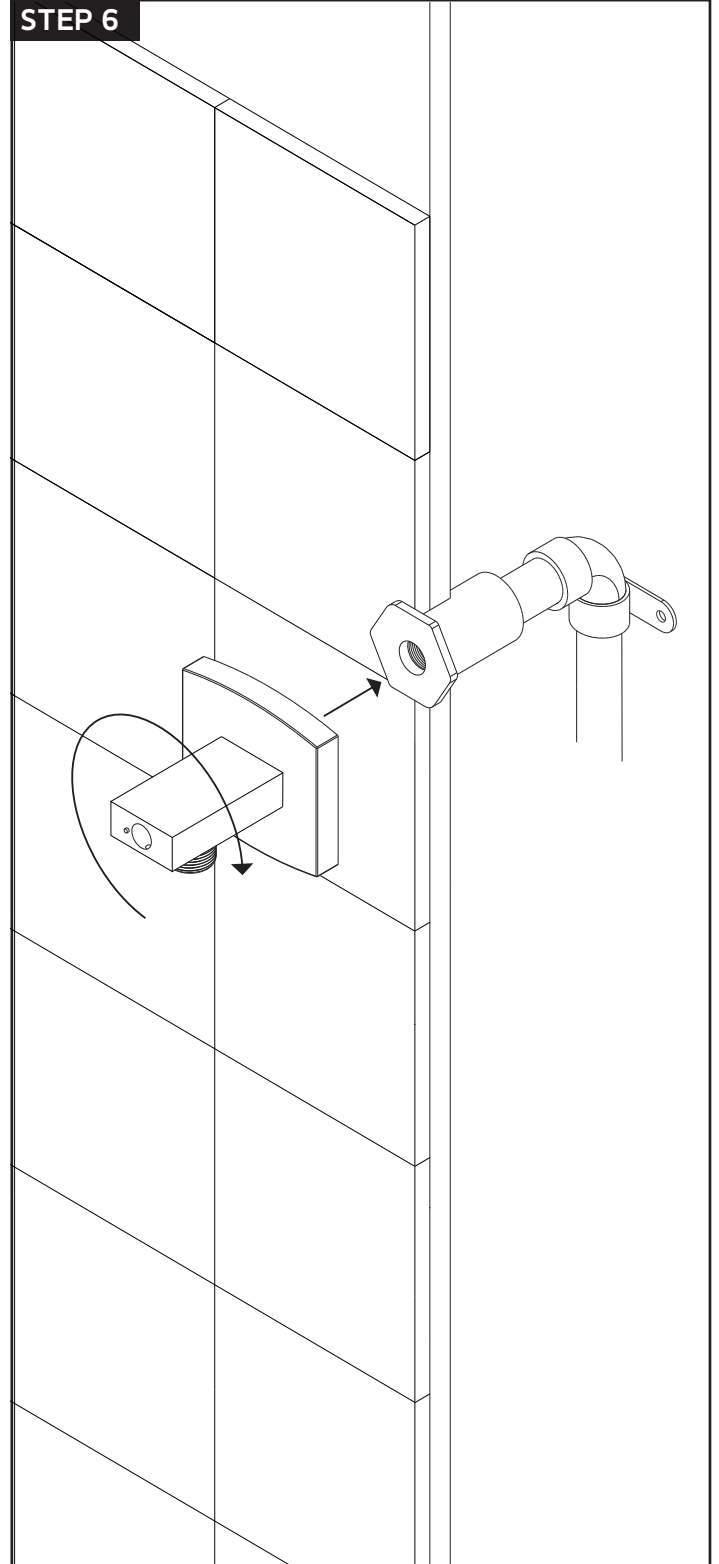
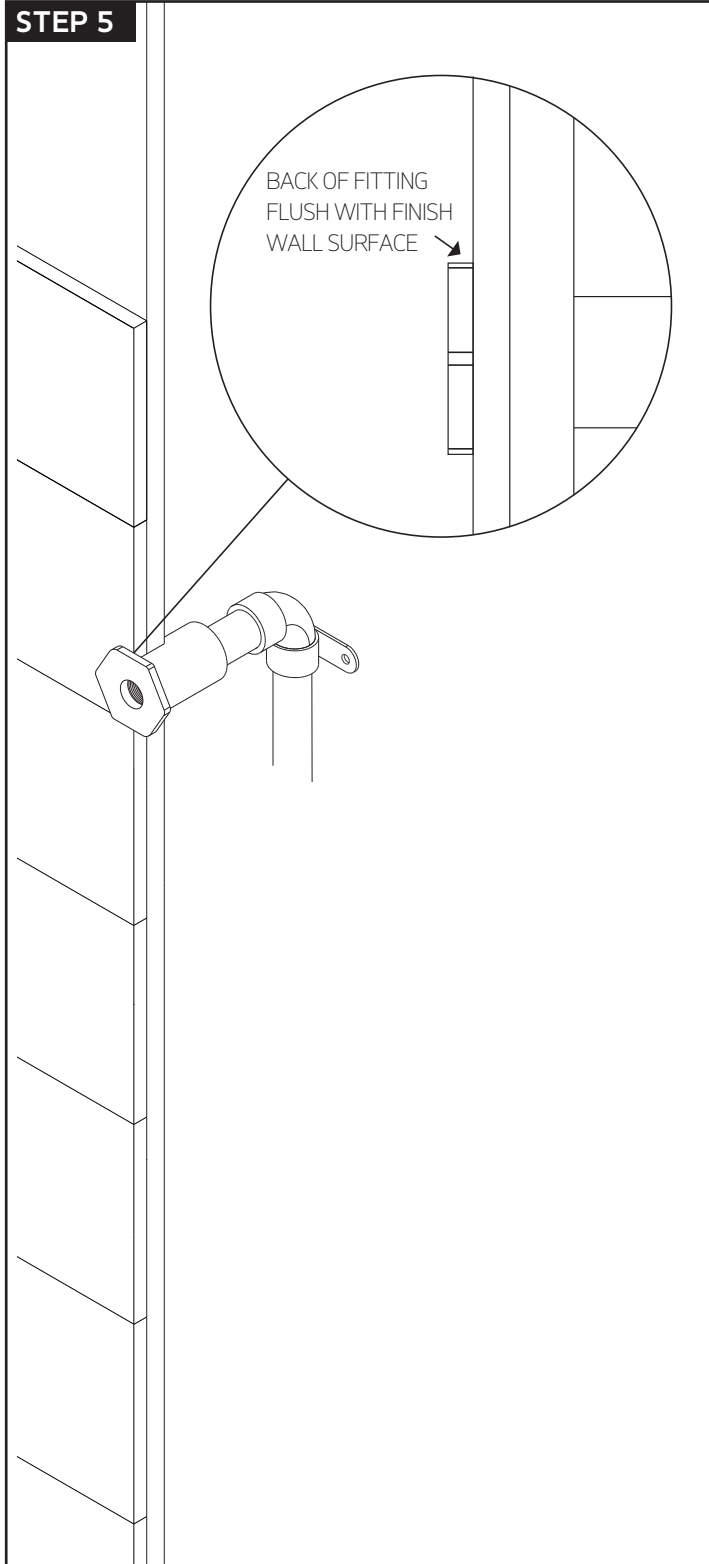
hand shower



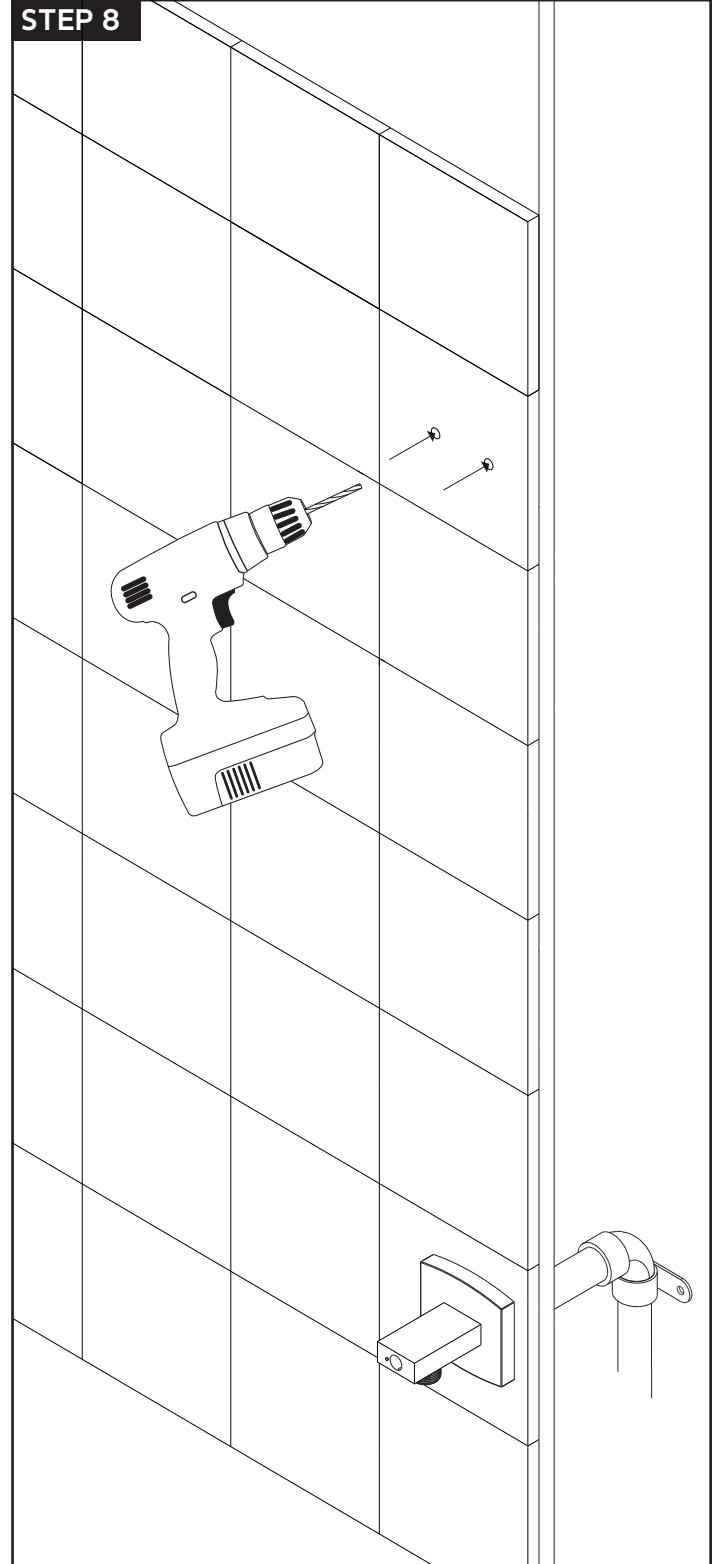
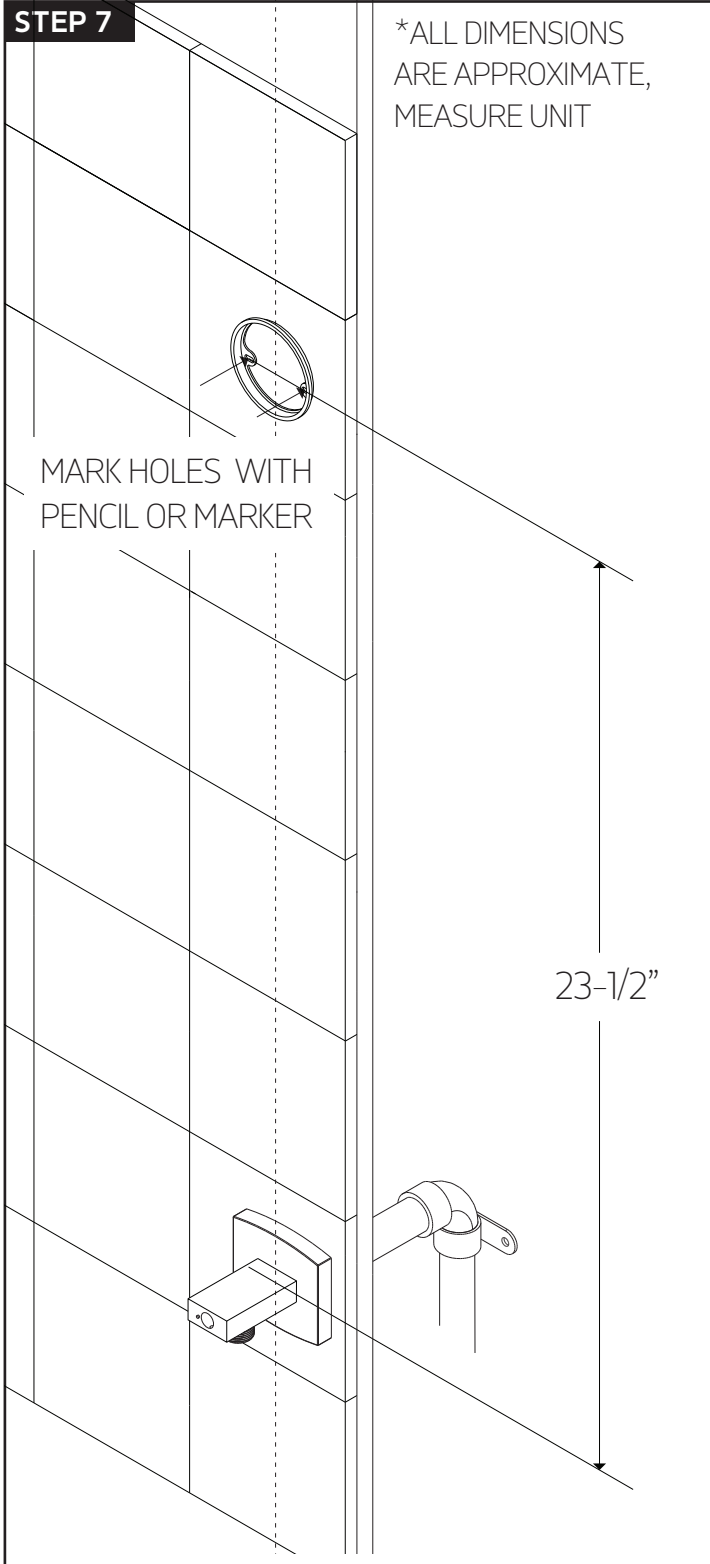
# artos<sup>®</sup>

PS117

hand shower



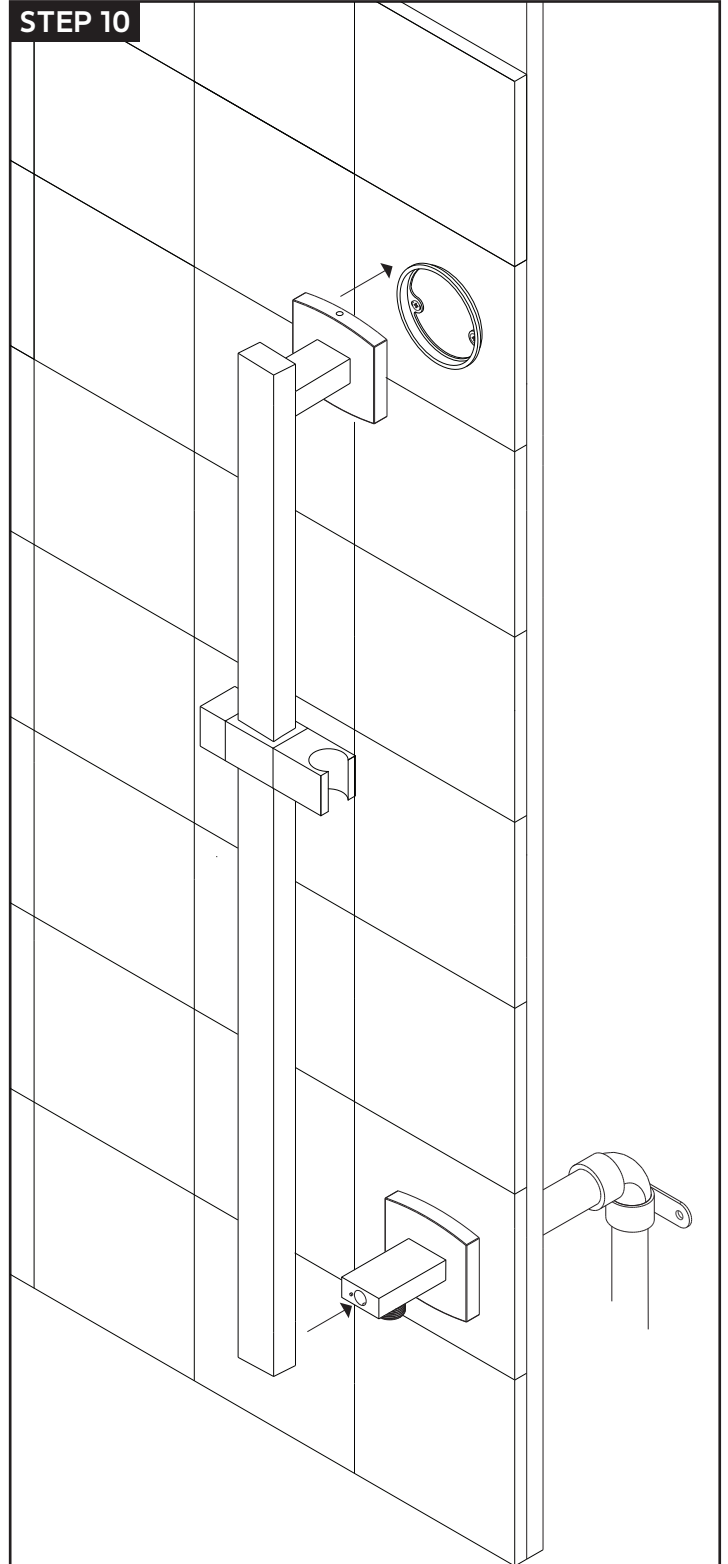
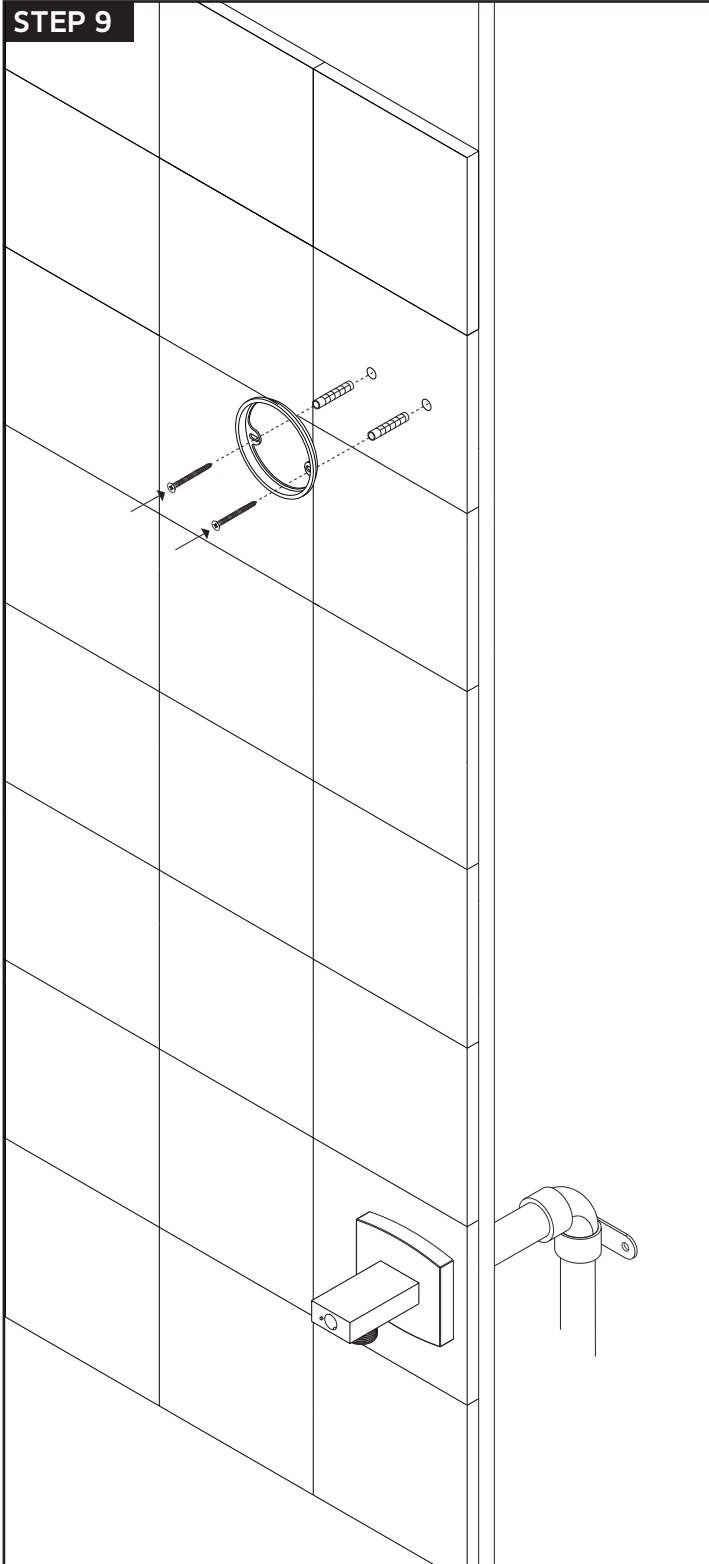
# INSTALLATION STEPS



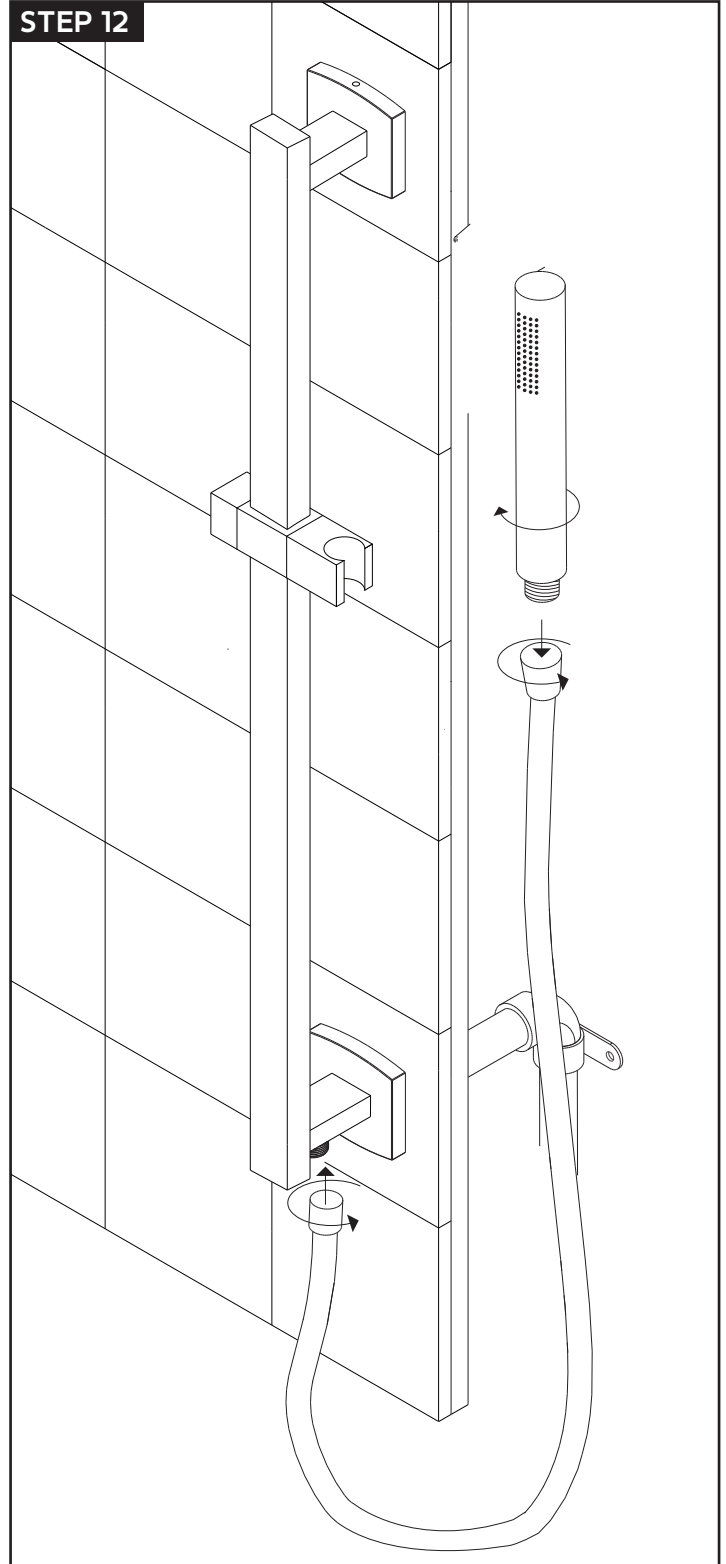
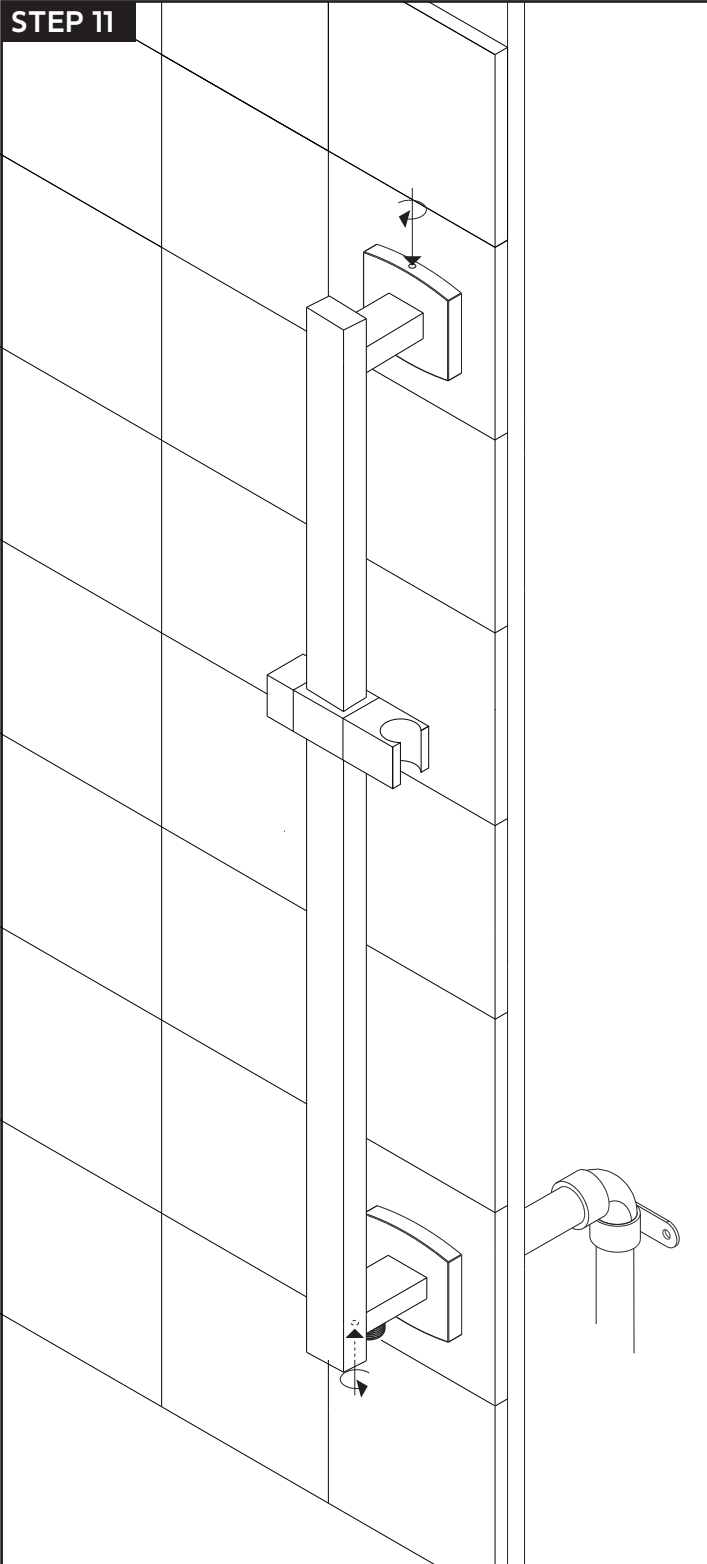
# artos<sup>®</sup>

PS117

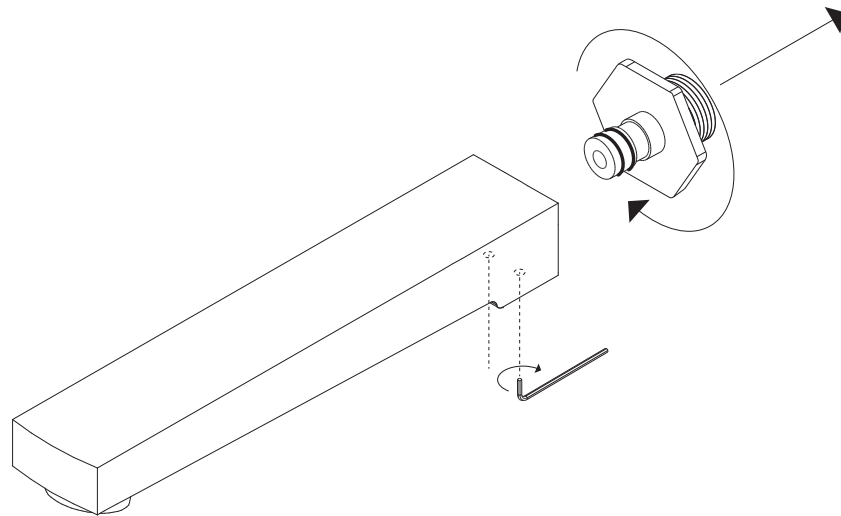
hand shower



# INSTALLATION STEPS

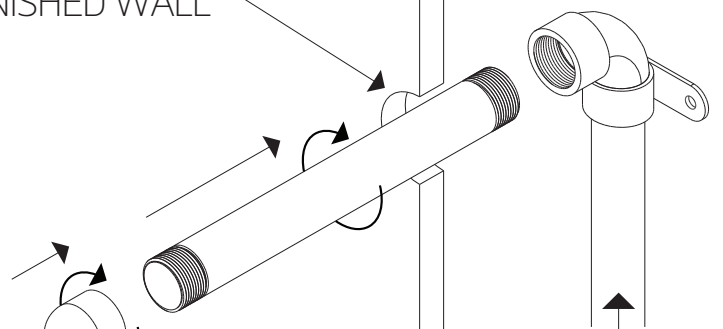


**STEP 1**



**STEP 2**

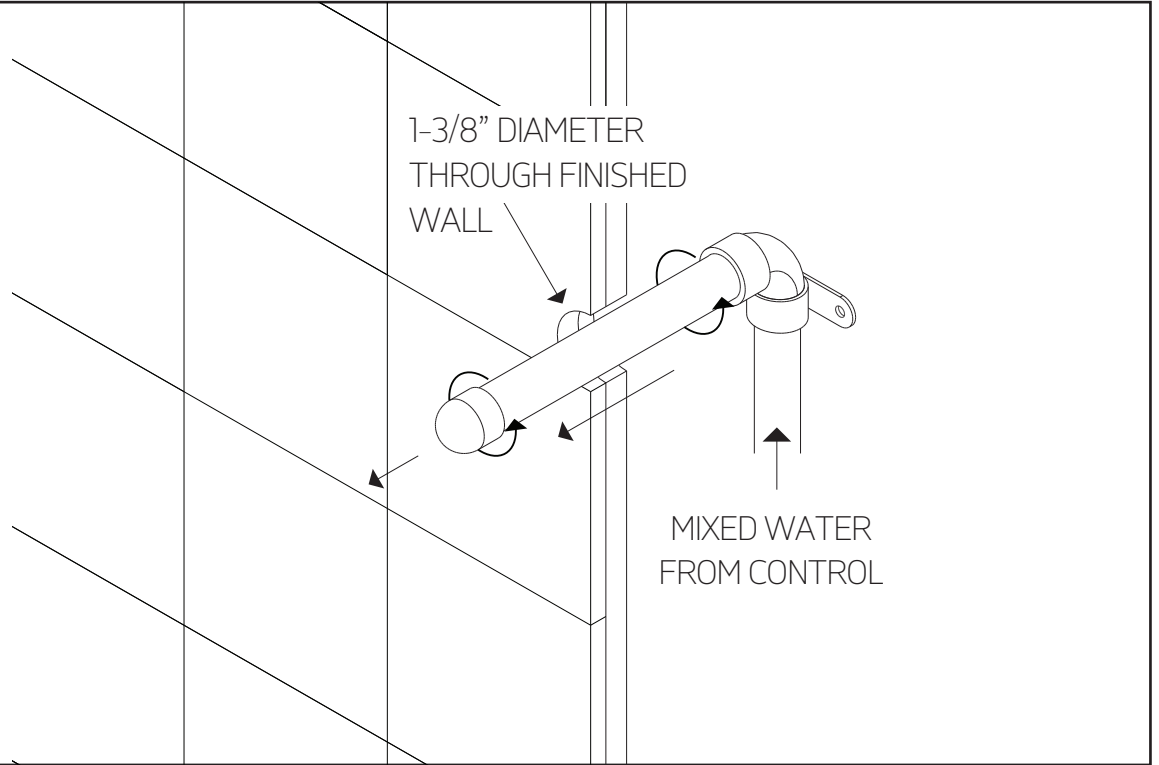
1-3/8" DIAMETER THROUGH  
FINISHED WALL



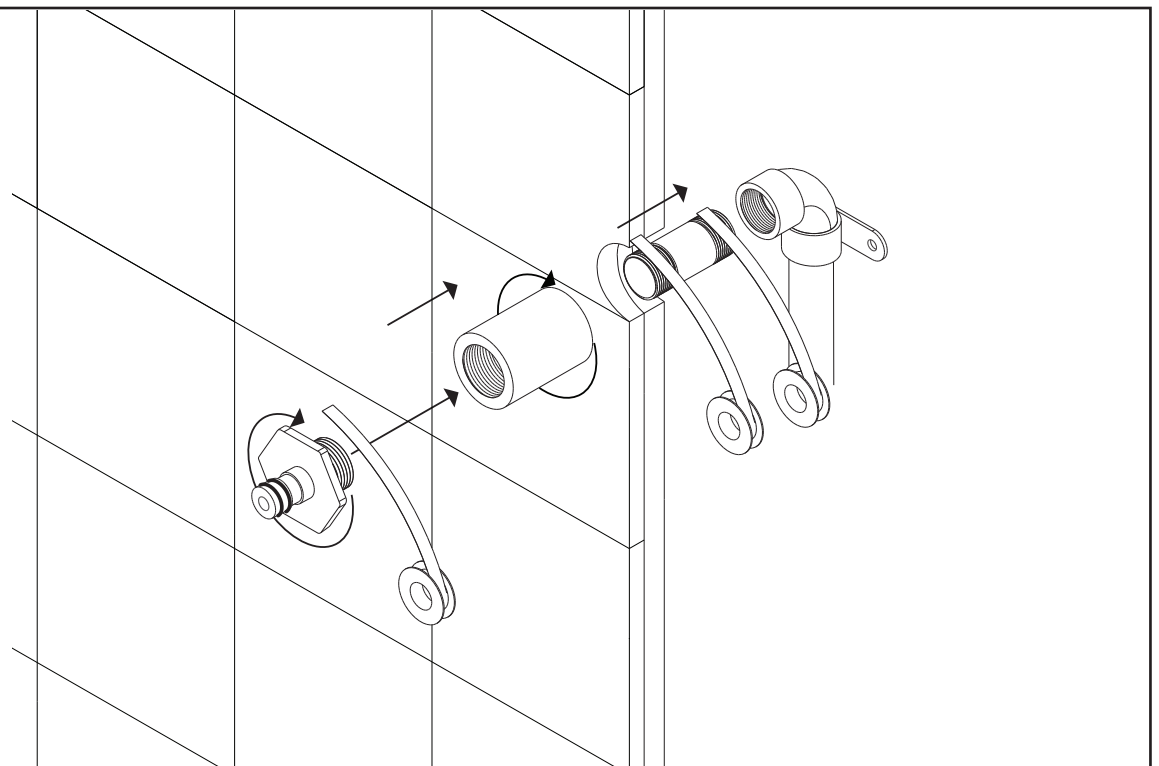
MIXED WATER  
FROM CONTROL

# INSTALLATION STEPS

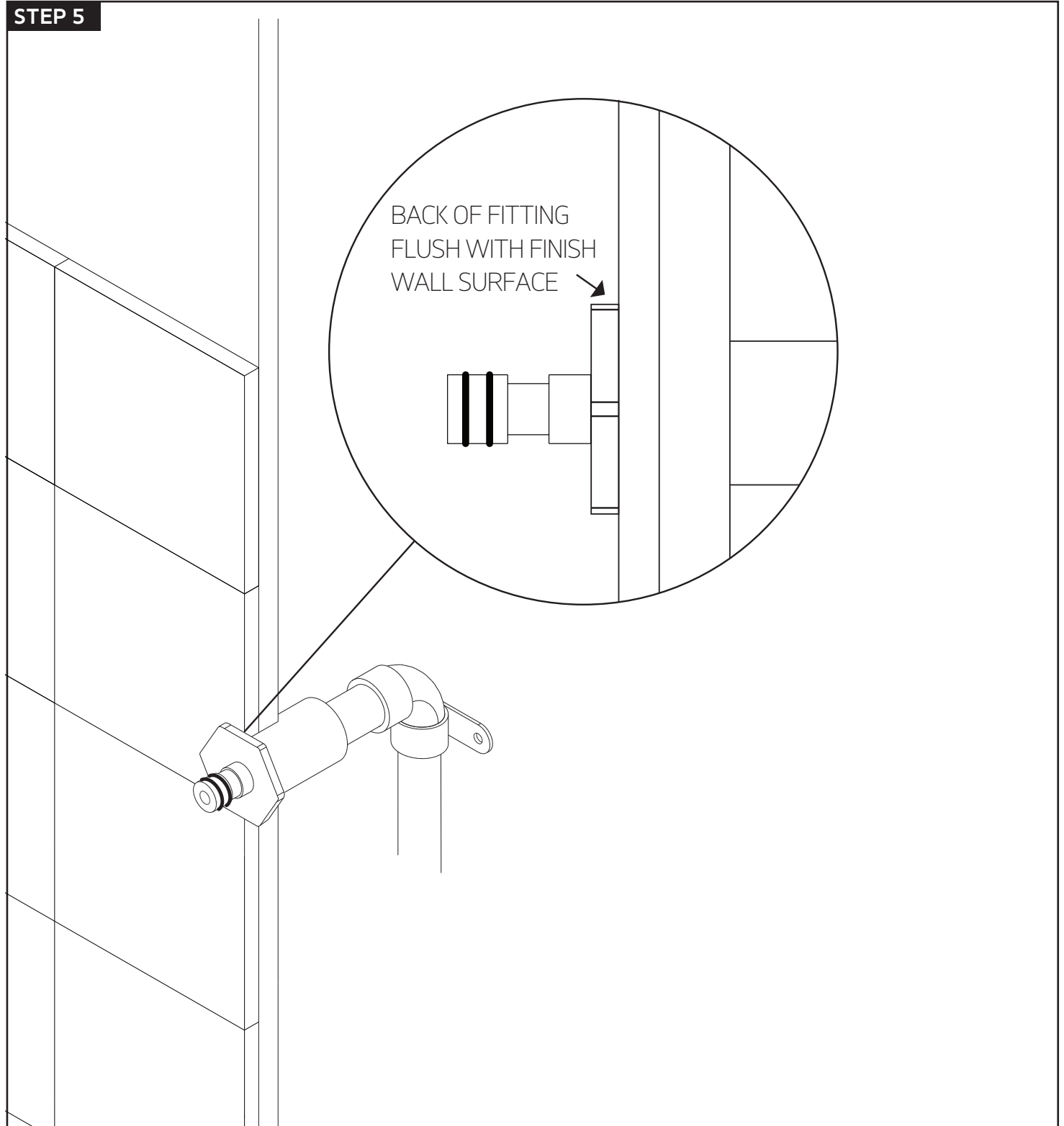
## STEP 3



## STEP 4



**STEP 5**



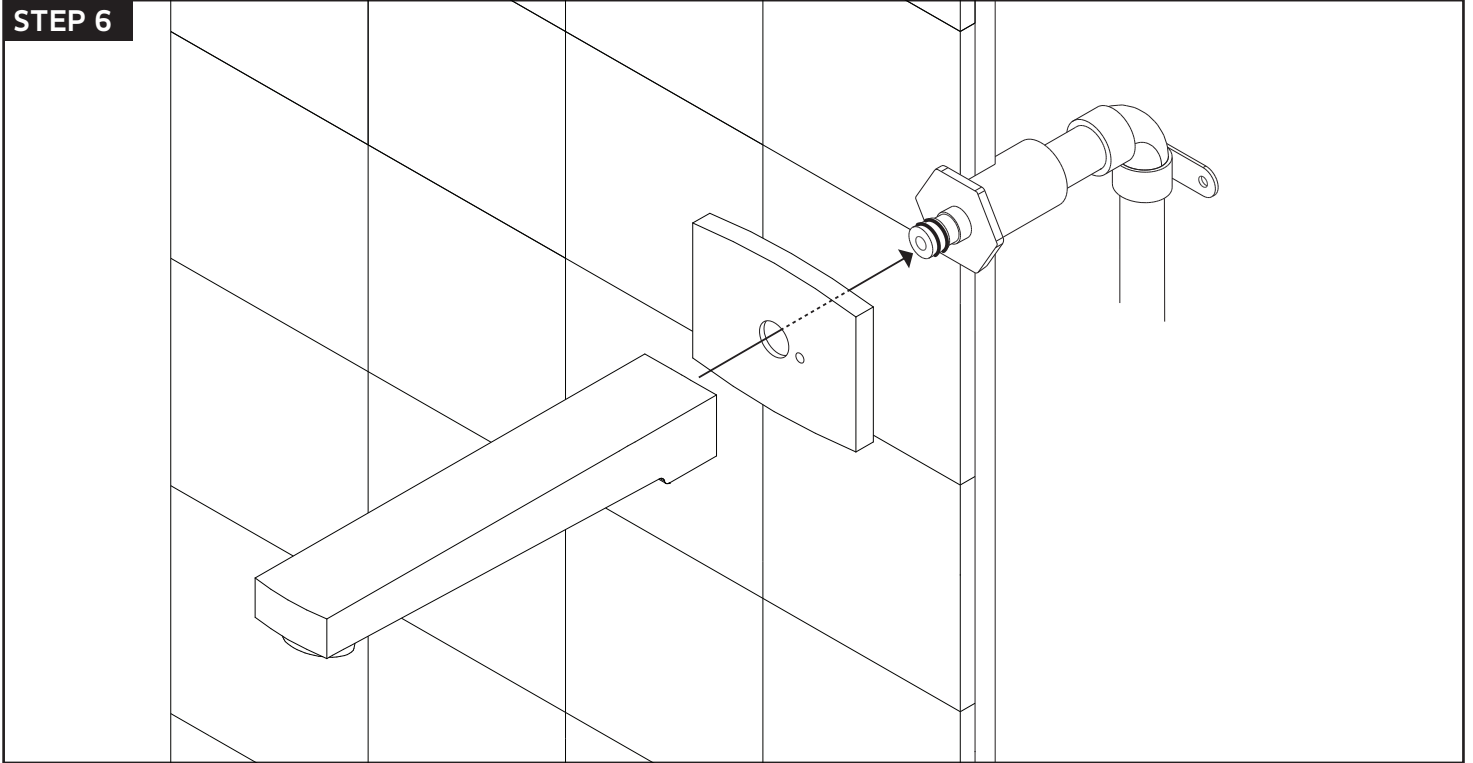
# artos<sup>®</sup>

PS117

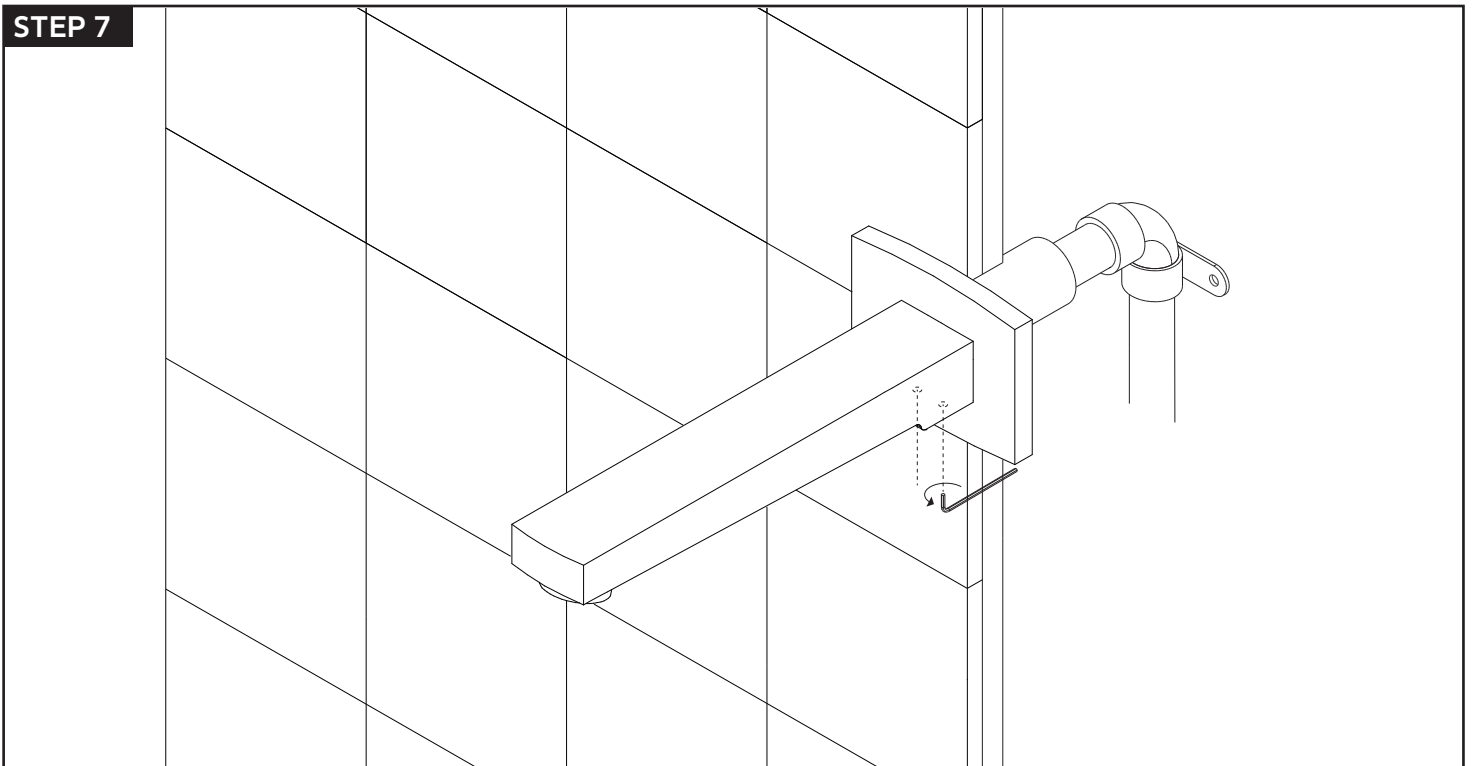
**INSTALLATION STEPS**

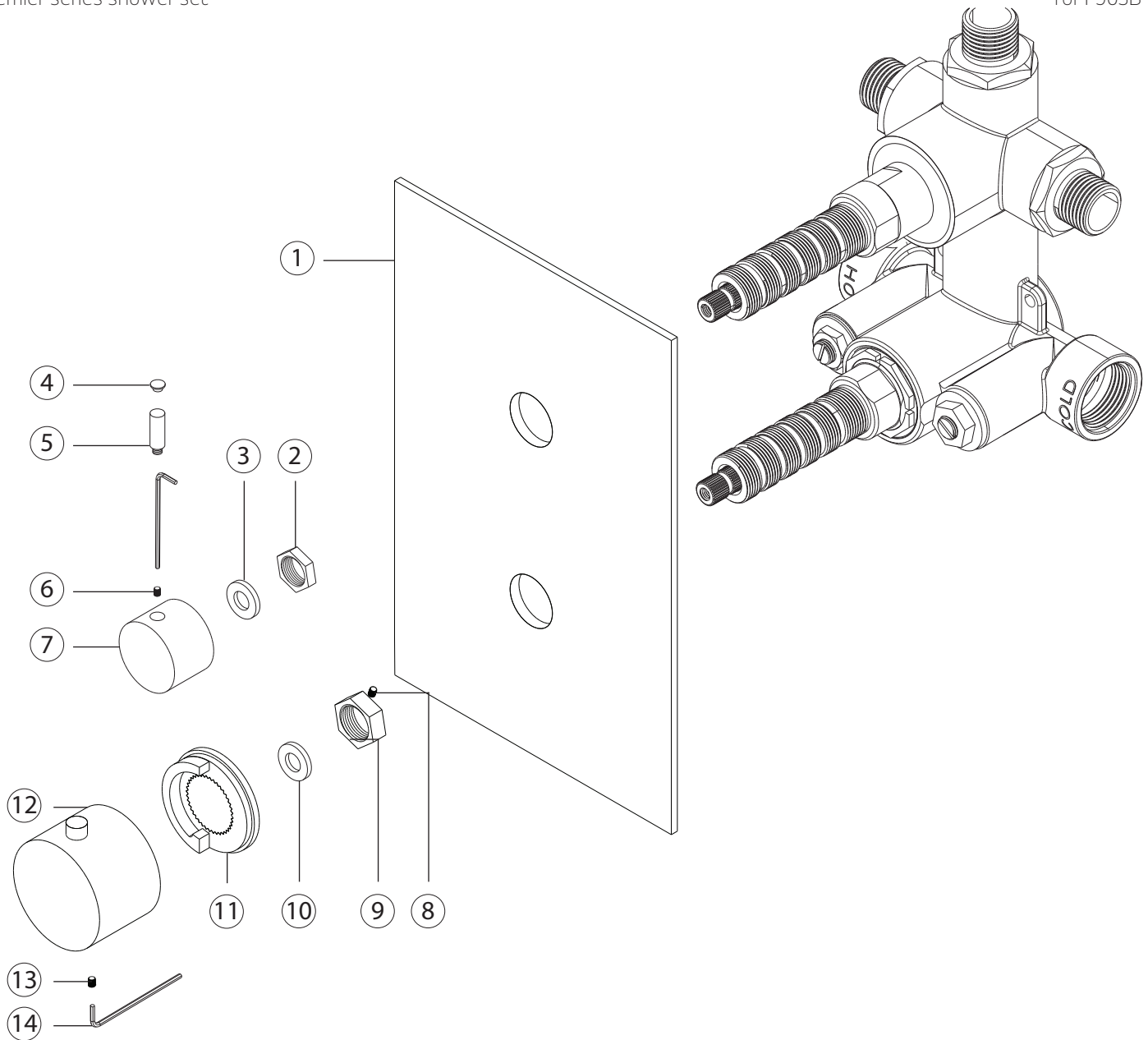
tub filler

**STEP 6**

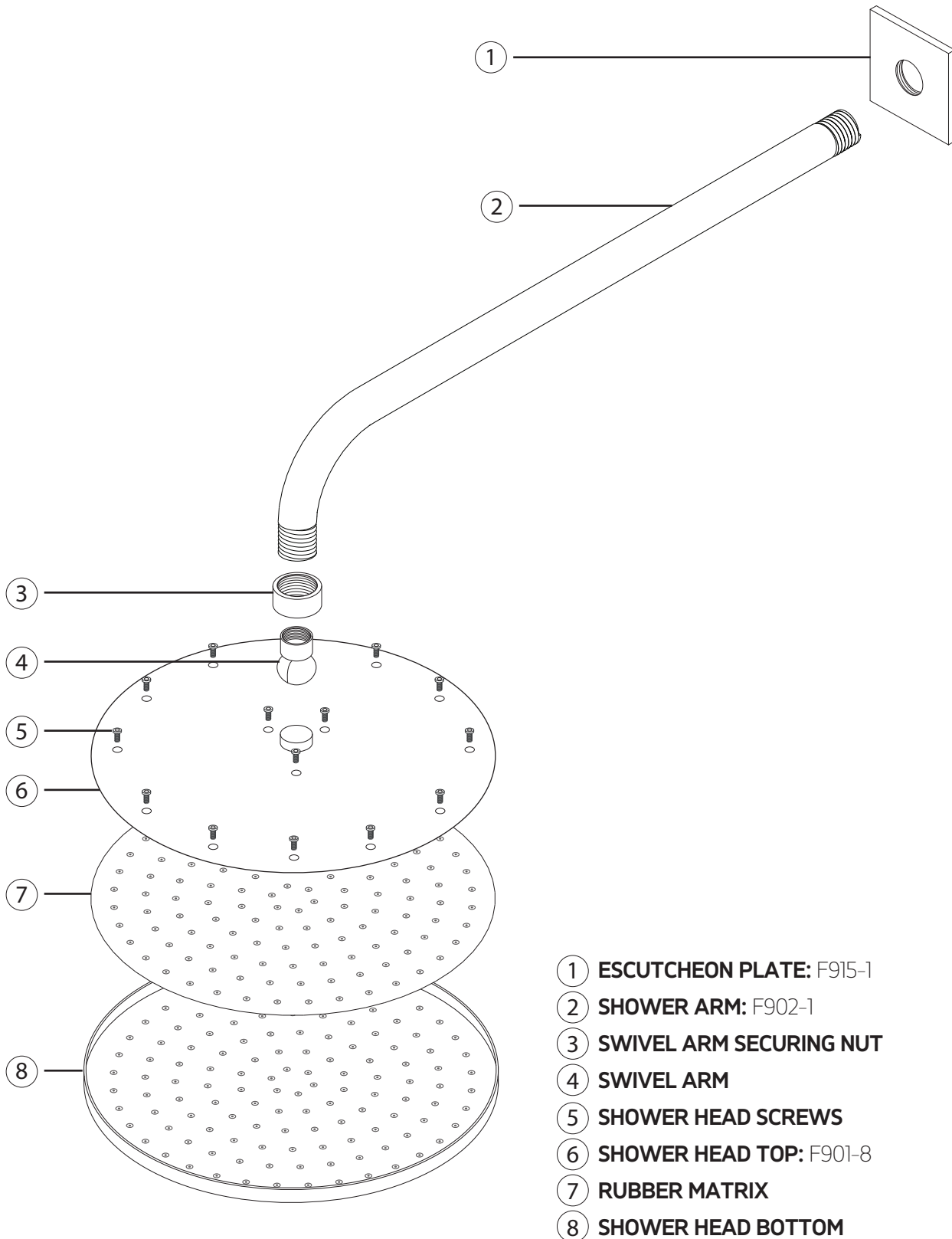


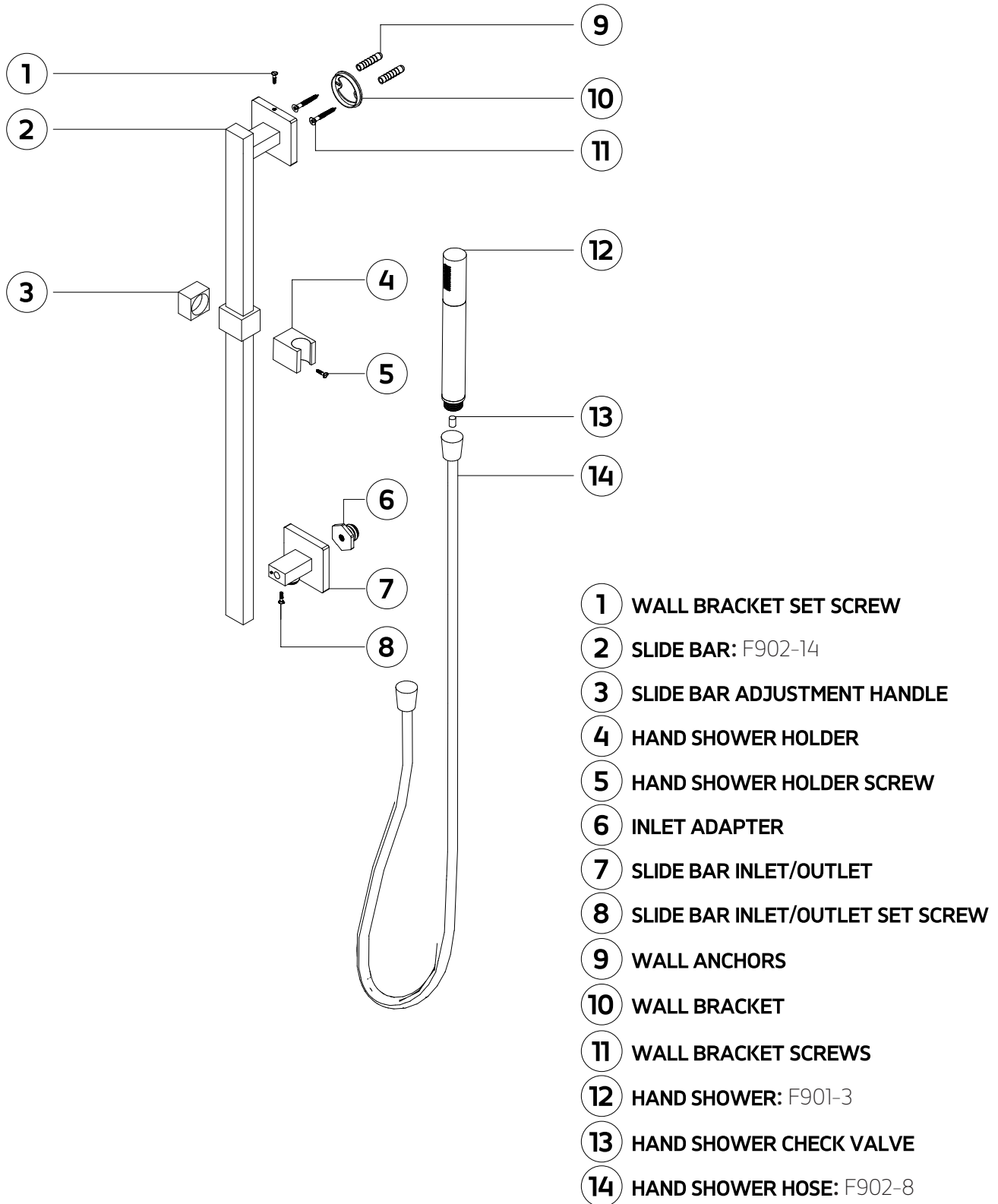
**STEP 7**



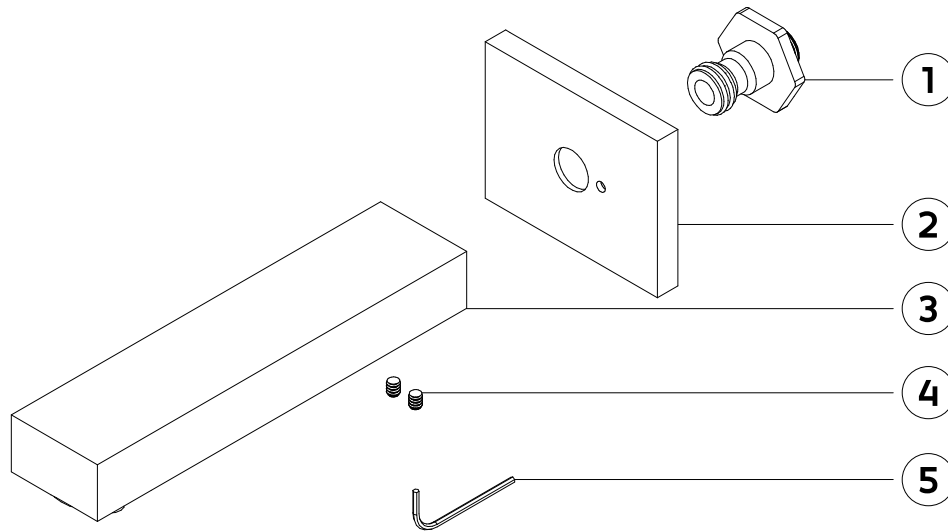


- |                              |                               |
|------------------------------|-------------------------------|
| ① ESCUTCHEON: F903A-9P       | ⑧ LOCKING NUT SET SCREW       |
| ② DIVERTER LOCKING NUT       | ⑨ THERMOSTAT LOCKING NUT      |
| ③ NYLON WASHER               | ⑩ NYLON WASHER                |
| ④ HANDLE HOLE CAP            | ⑪ TEMPERATURE LIMITING RING   |
| ⑤ DIVERTER HANDLE LEVER      | ⑫ THERMOSTAT HANDLE: F904A-1H |
| ⑥ DIVERTER SET SCREW         | ⑬ THERMOSTAT SET SCREW        |
| ⑦ DIVERTER HANDLE: F903A-12H | ⑭ ALLEN WRENCH                |





- 1 WALL BRACKET SET SCREW
- 2 SLIDE BAR: F902-14
- 3 SLIDE BAR ADJUSTMENT HANDLE
- 4 HAND SHOWER HOLDER
- 5 HAND SHOWER HOLDER SCREW
- 6 INLET ADAPTER
- 7 SLIDE BAR INLET/OUTLET
- 8 SLIDE BAR INLET/OUTLET SET SCREW
- 9 WALL ANCHORS
- 10 WALL BRACKET
- 11 WALL BRACKET SCREWS
- 12 HAND SHOWER: F901-3
- 13 HAND SHOWER CHECK VALVE
- 14 HAND SHOWER HOSE: F902-8



- 1 WALL CONNECTION
- 2 ESCUTCHEON
- 3 SPOUT
- 4 SET SCREW (2)
- 5 ALLEN WRENCH