

# artos<sup>®</sup>

## PS115

## INSTALLATION GUIDE

premier series shower set

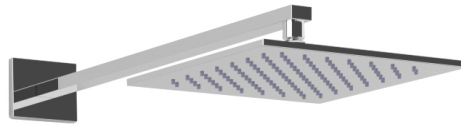
BRUSHED NICKEL(BN)



CHROME(CH)



BLACK(BK)

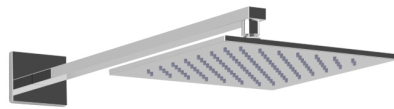


# artos<sup>®</sup>

## PS115

premier series shower set

## OPERATING SPECIFICATIONS



### FEATURES

Solid Brass  
3-Outlets

### INCLUDES

F903B-59TK  
F907-46  
F907-50  
F402-10

### OPERATING PRESSURE

Minimum: 15 psi  
Maximum: 75 psi  
Above 90psi it may be necessary to install a pressure reducer

### OPERATING TEMPERATURE

Maximum: 176°

### FLOW CAPACITY

Hand Shower: 1.8 USGPM  
Shower Head: 1.8 USGPM  
Body Jet: 1.8 USGPM

### APPROVAL



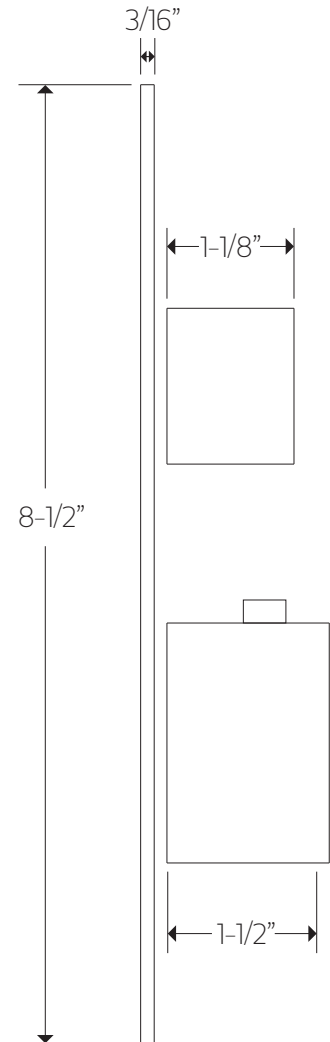
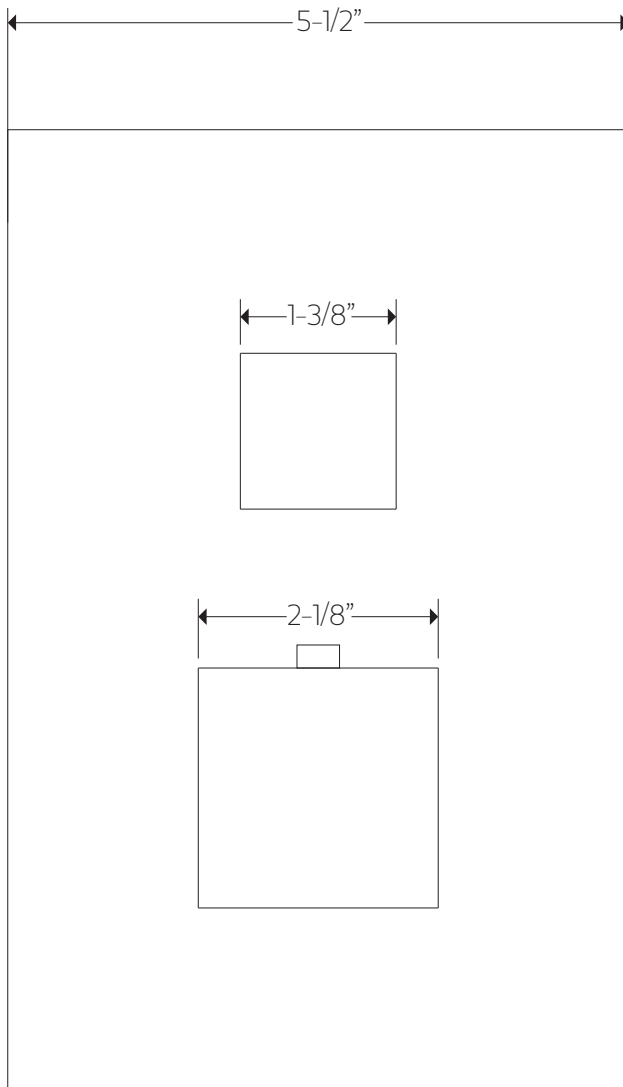
# artos<sup>®</sup>

PS115

## PRODUCT DIMENSIONS

premier series shower set

for trim kit



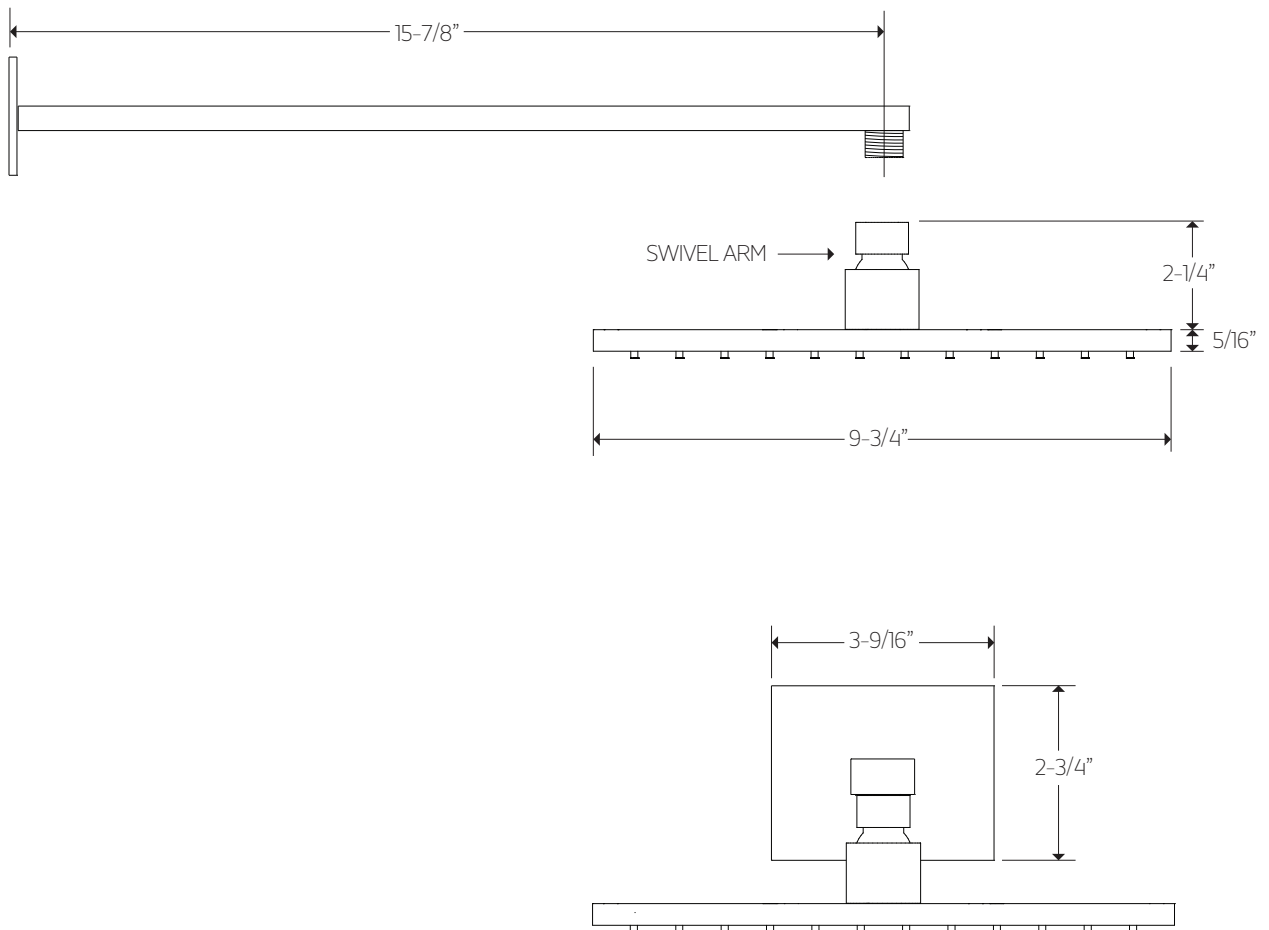
# artos<sup>®</sup>

## PS115

### PRODUCT DIMENSIONS

premier series shower set

for shower head



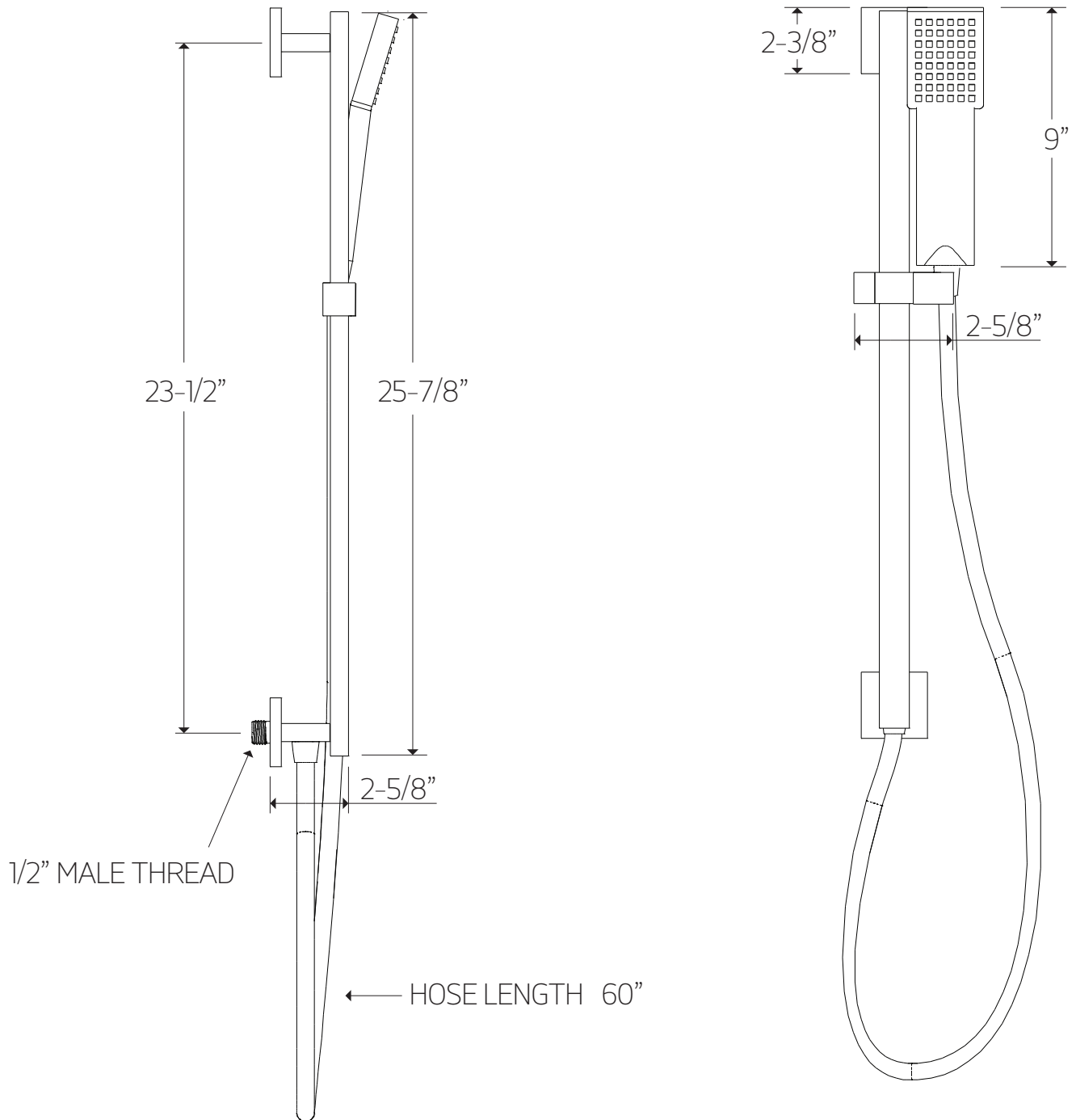
# artos<sup>®</sup>

## PS115

premier series shower set

### PRODUCT DIMENSIONS

for hand shower



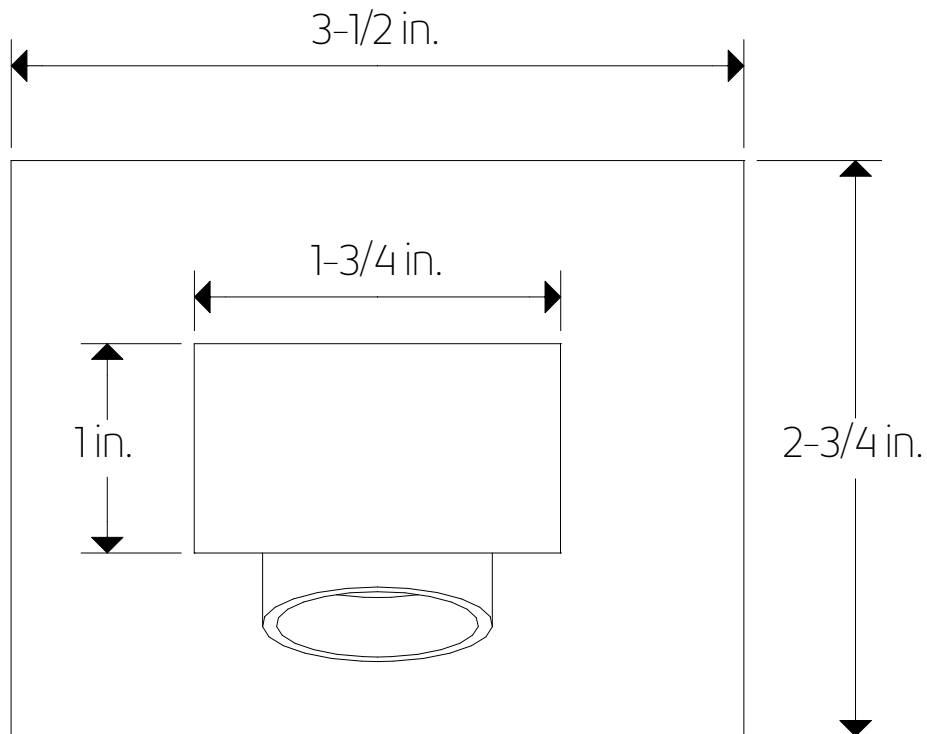
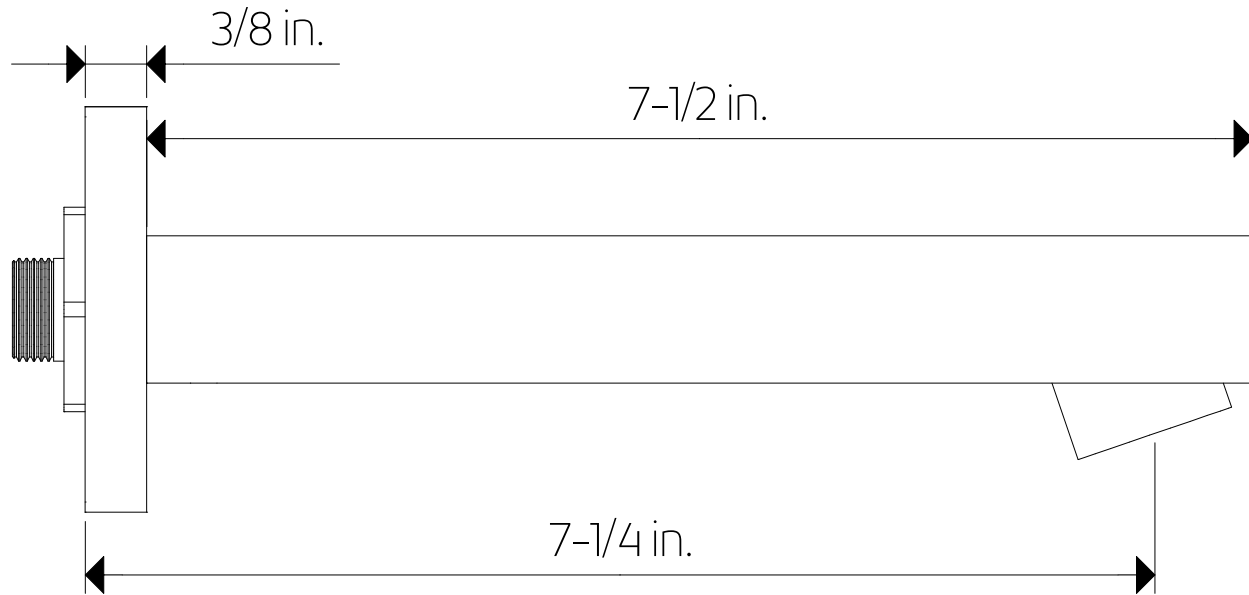
# artos<sup>®</sup>

PS115

**PRODUCT DIMENSIONS**

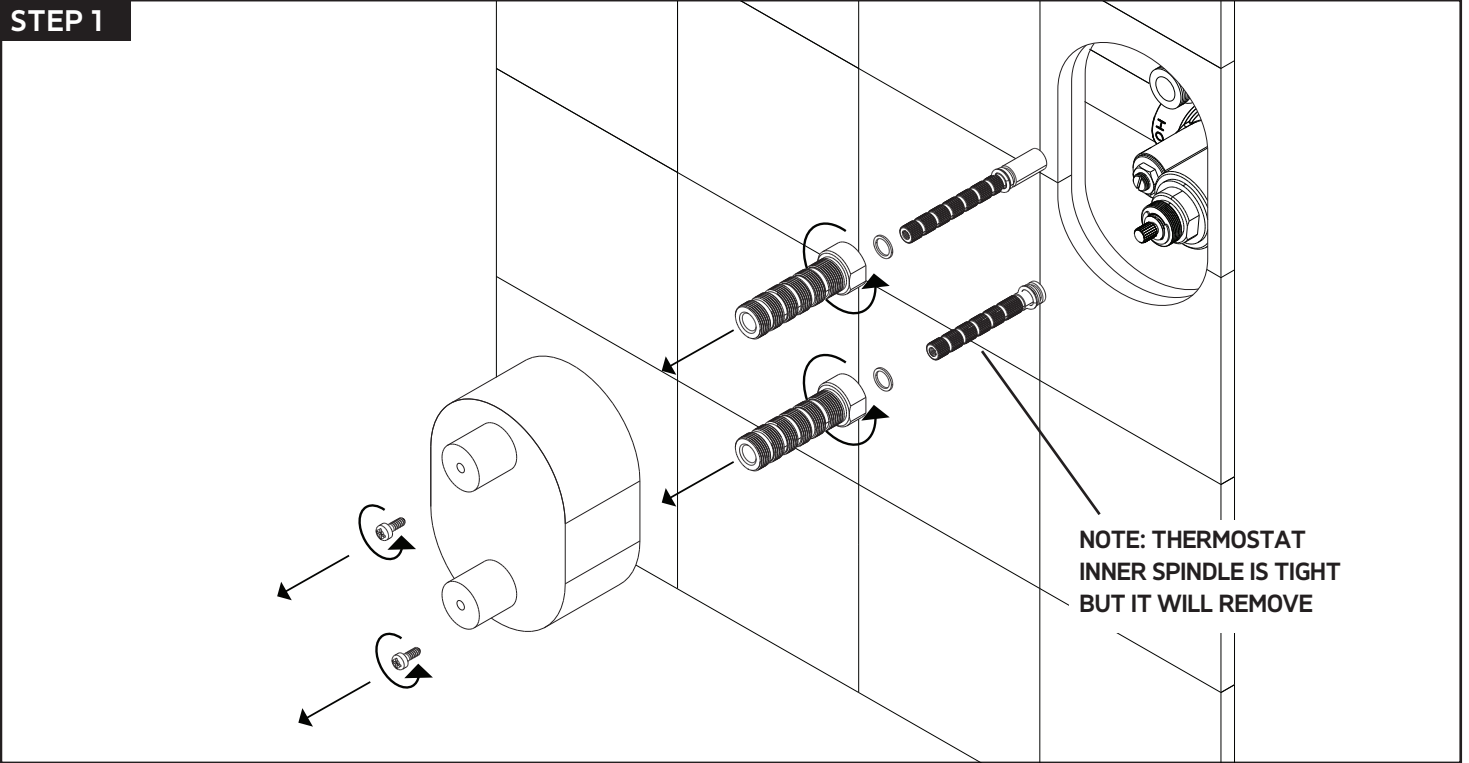
premier series shower set

for tub filler

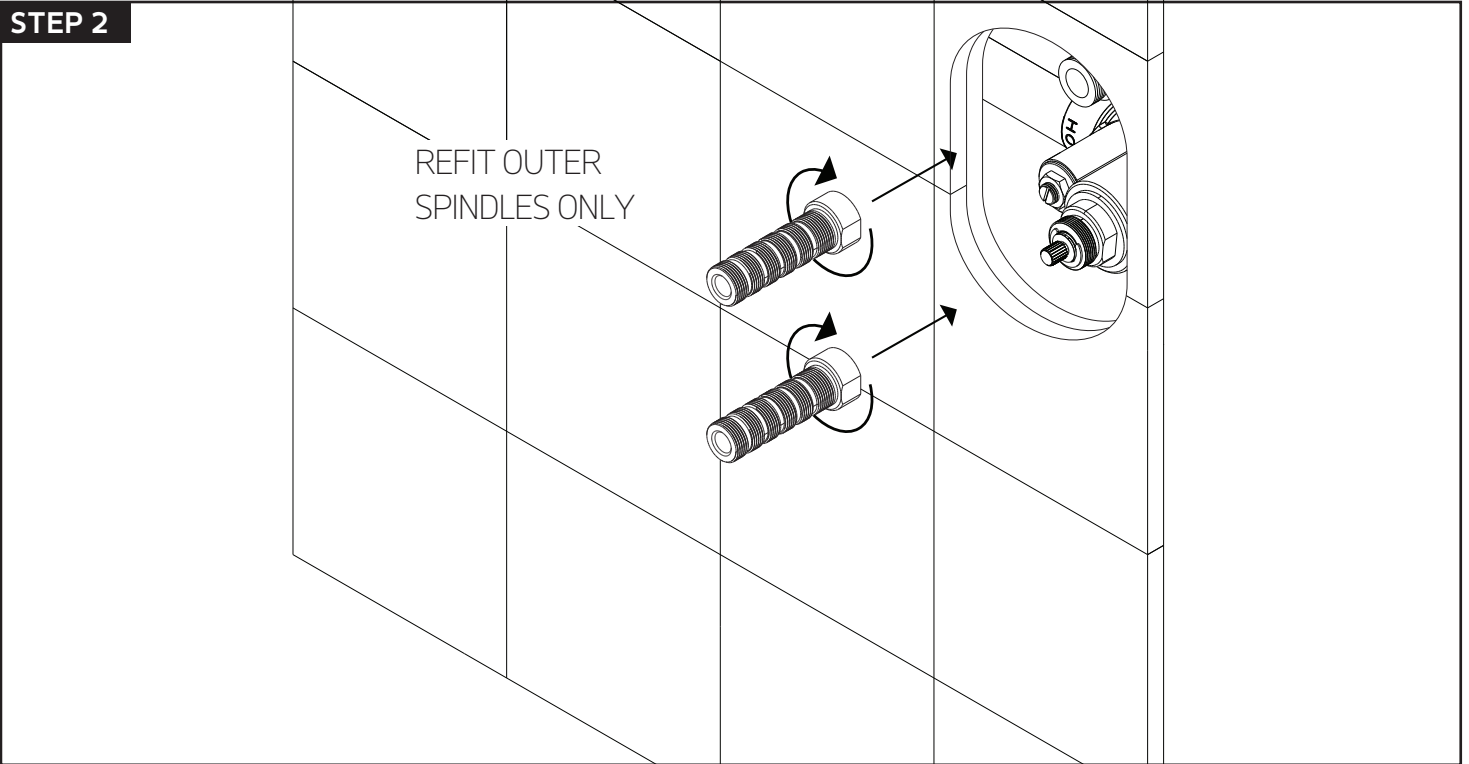


valve trim

**STEP 1**



**STEP 2**

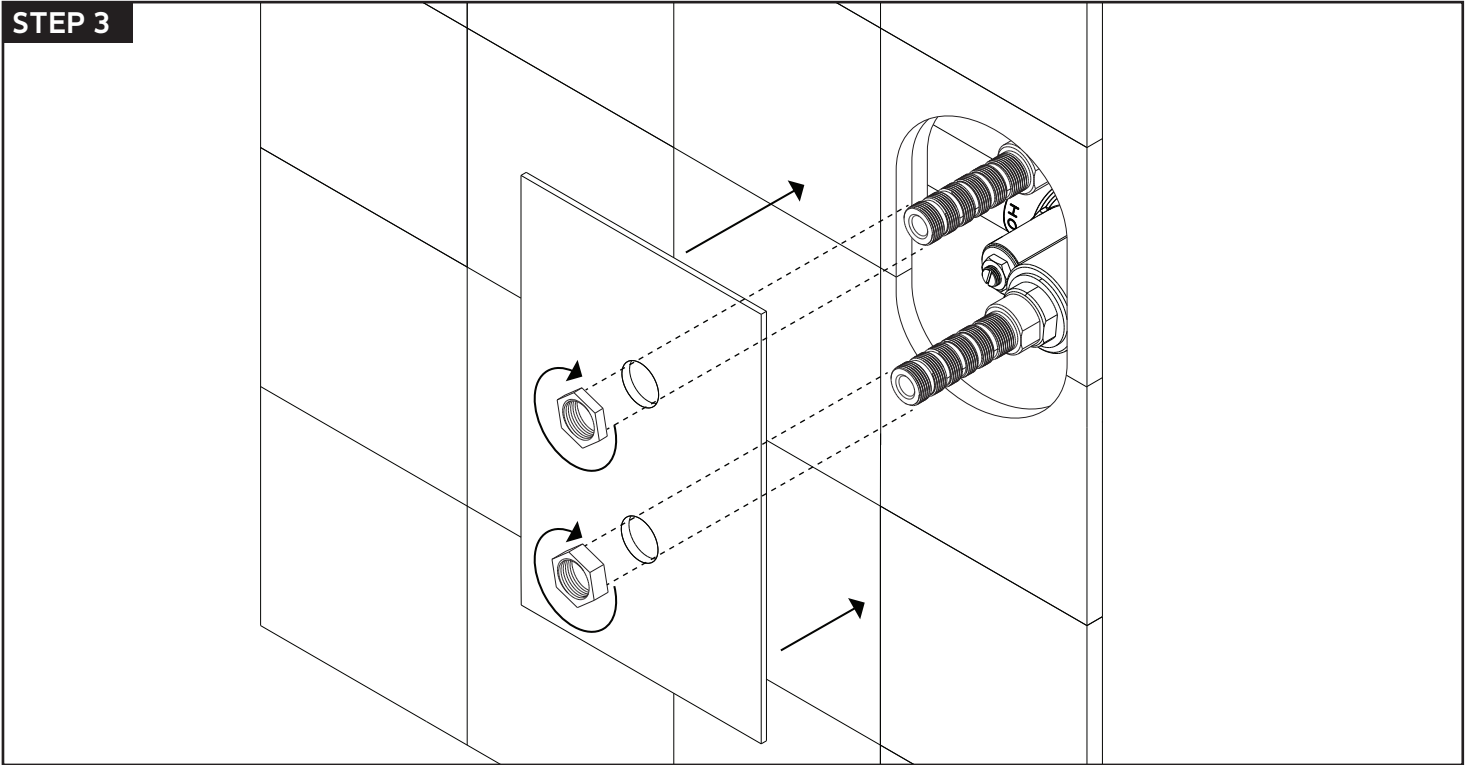


# artos<sup>®</sup>

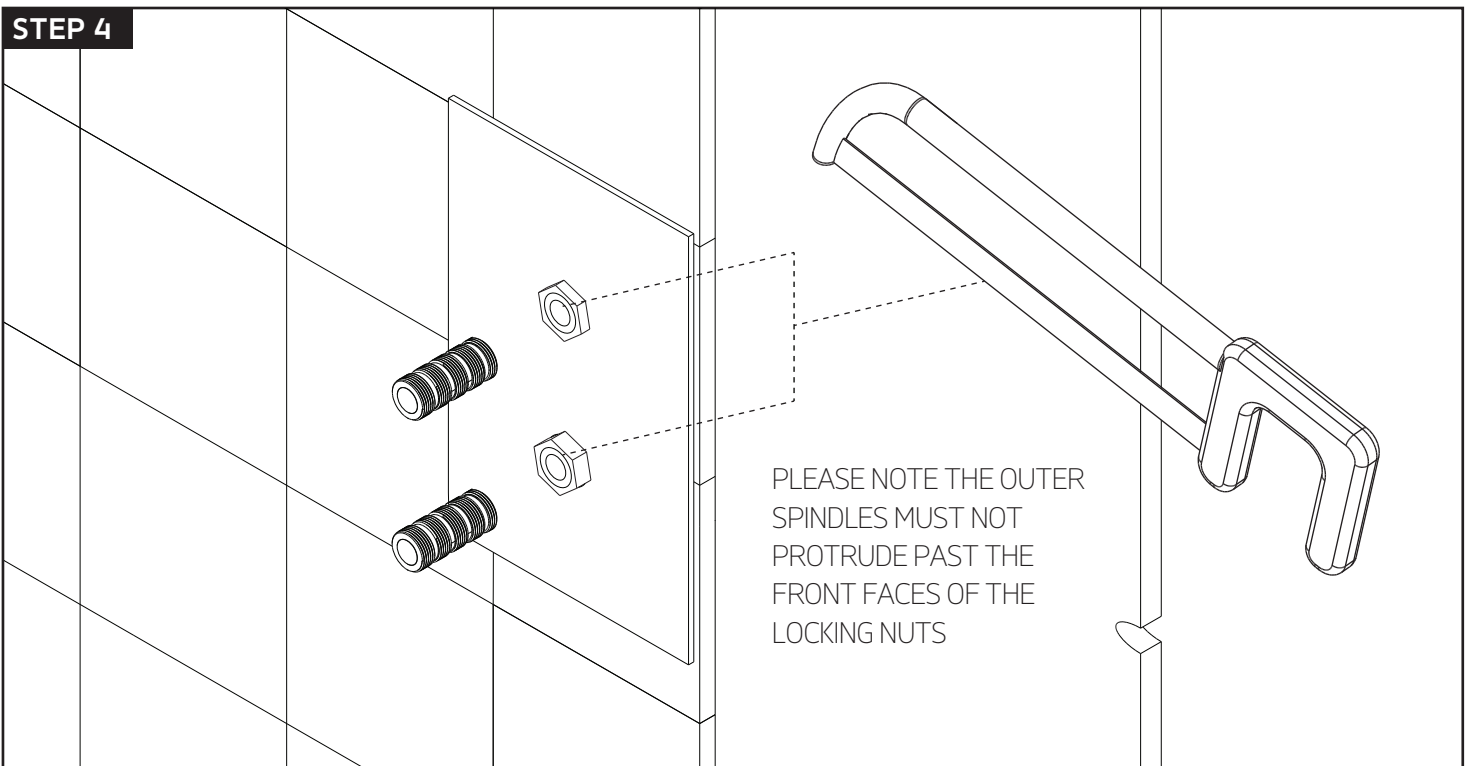
PS115

valve trim

## STEP 3

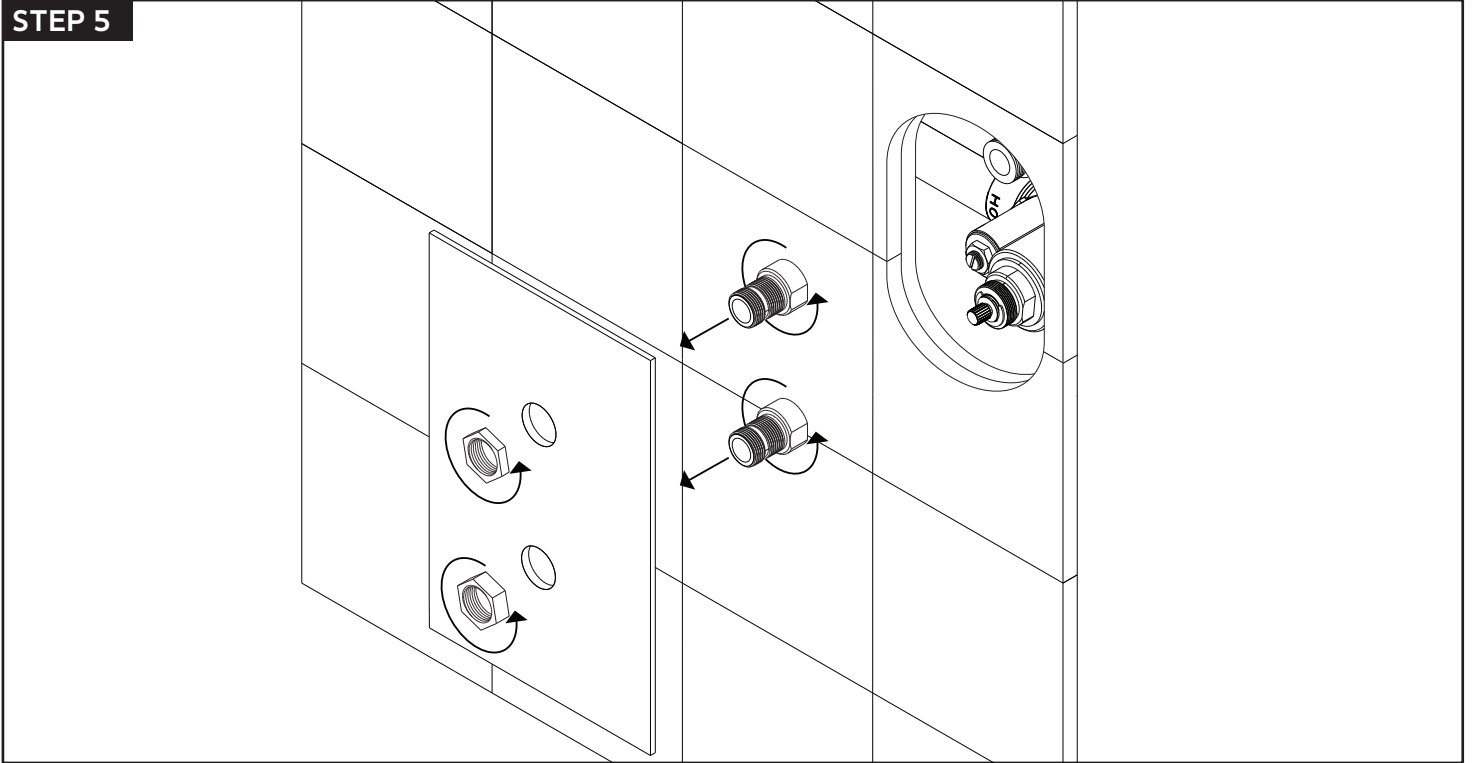


## STEP 4

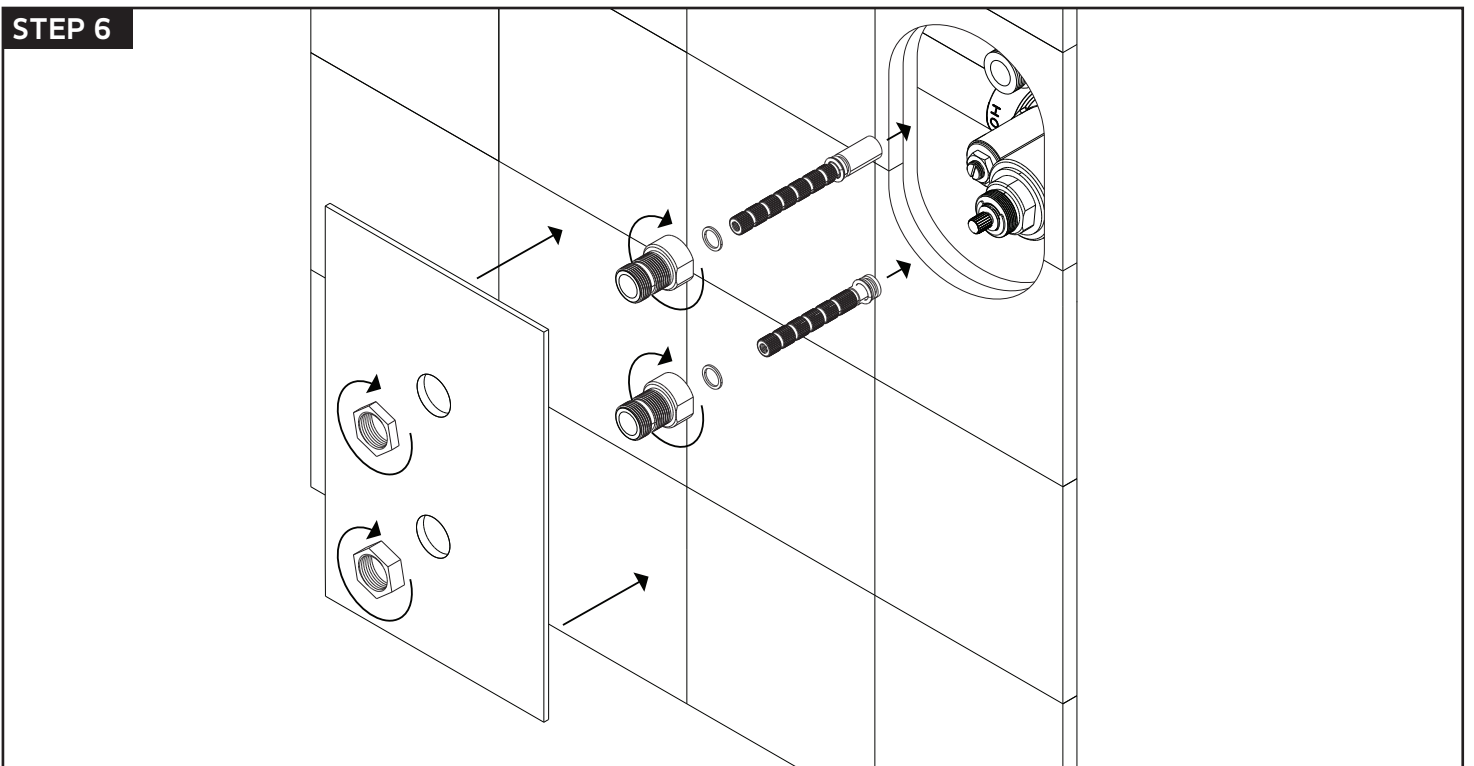


# INSTALLATION STEPS

## STEP 5

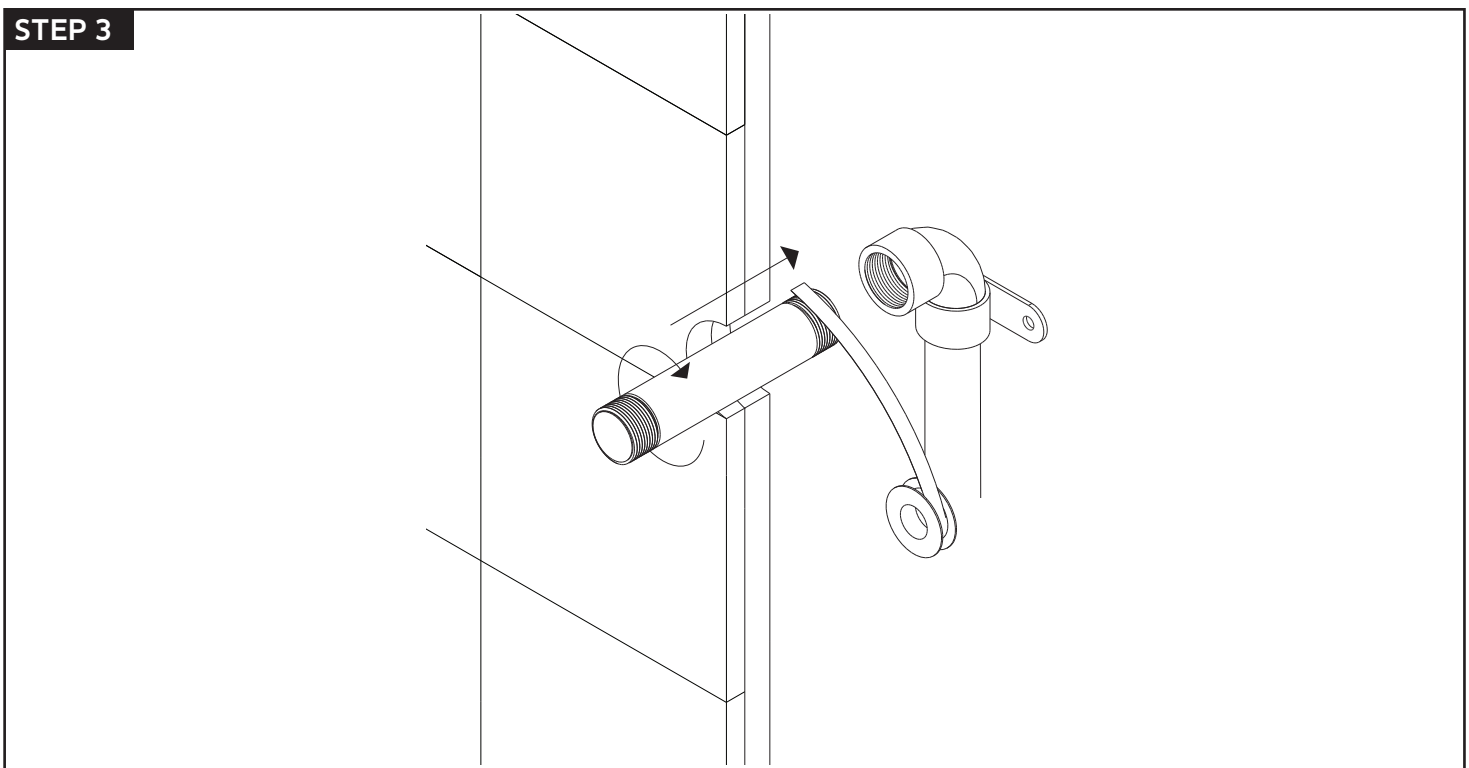
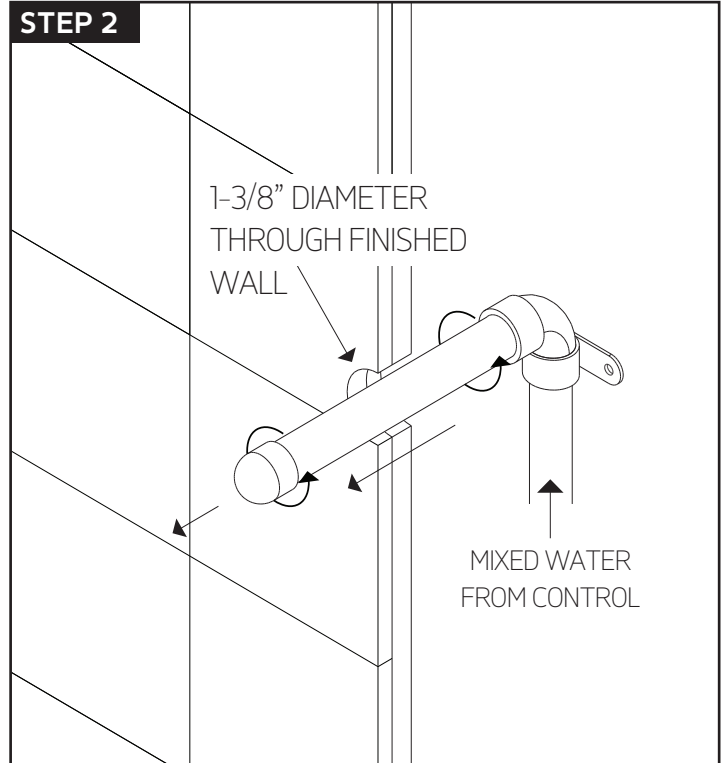
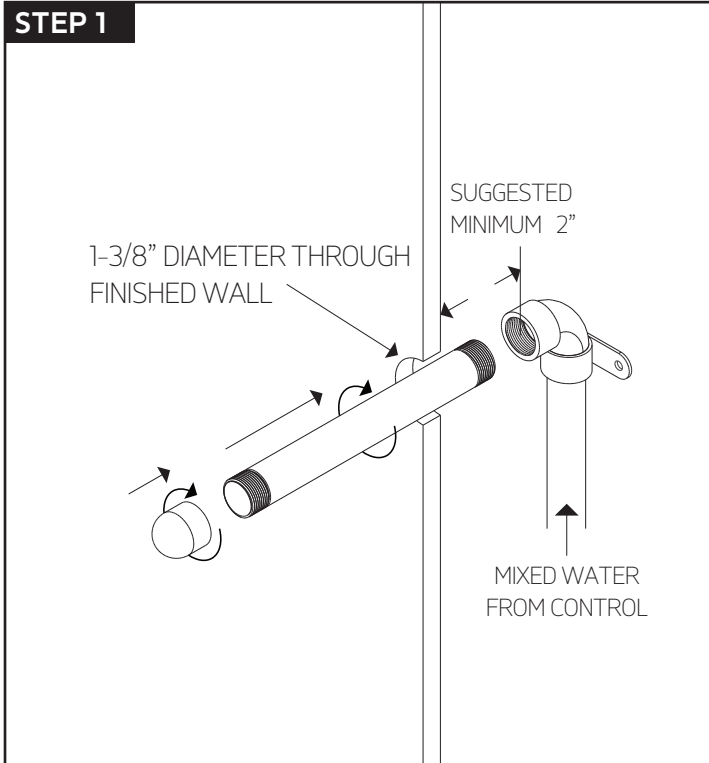


## STEP 6





shower head



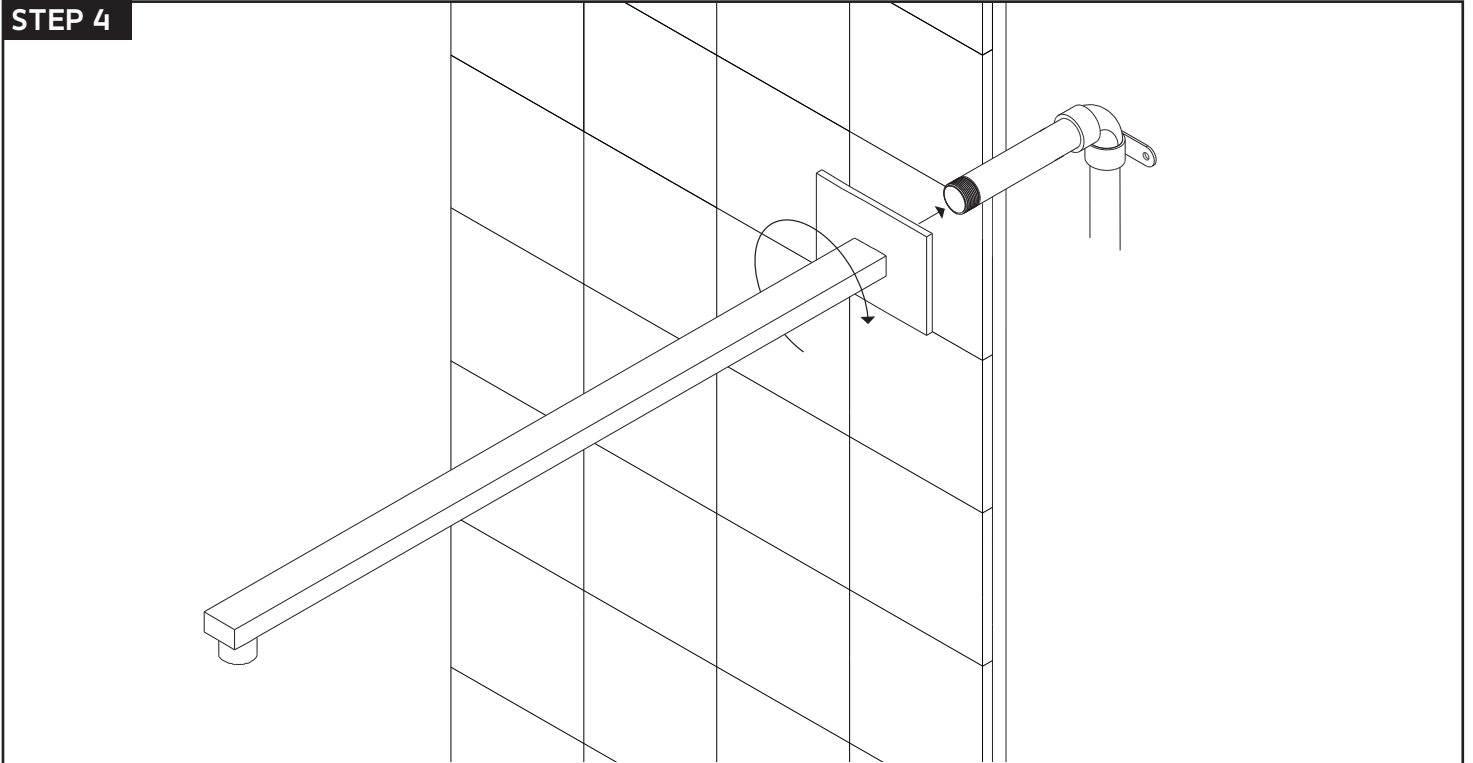
# artos<sup>®</sup>

PS115

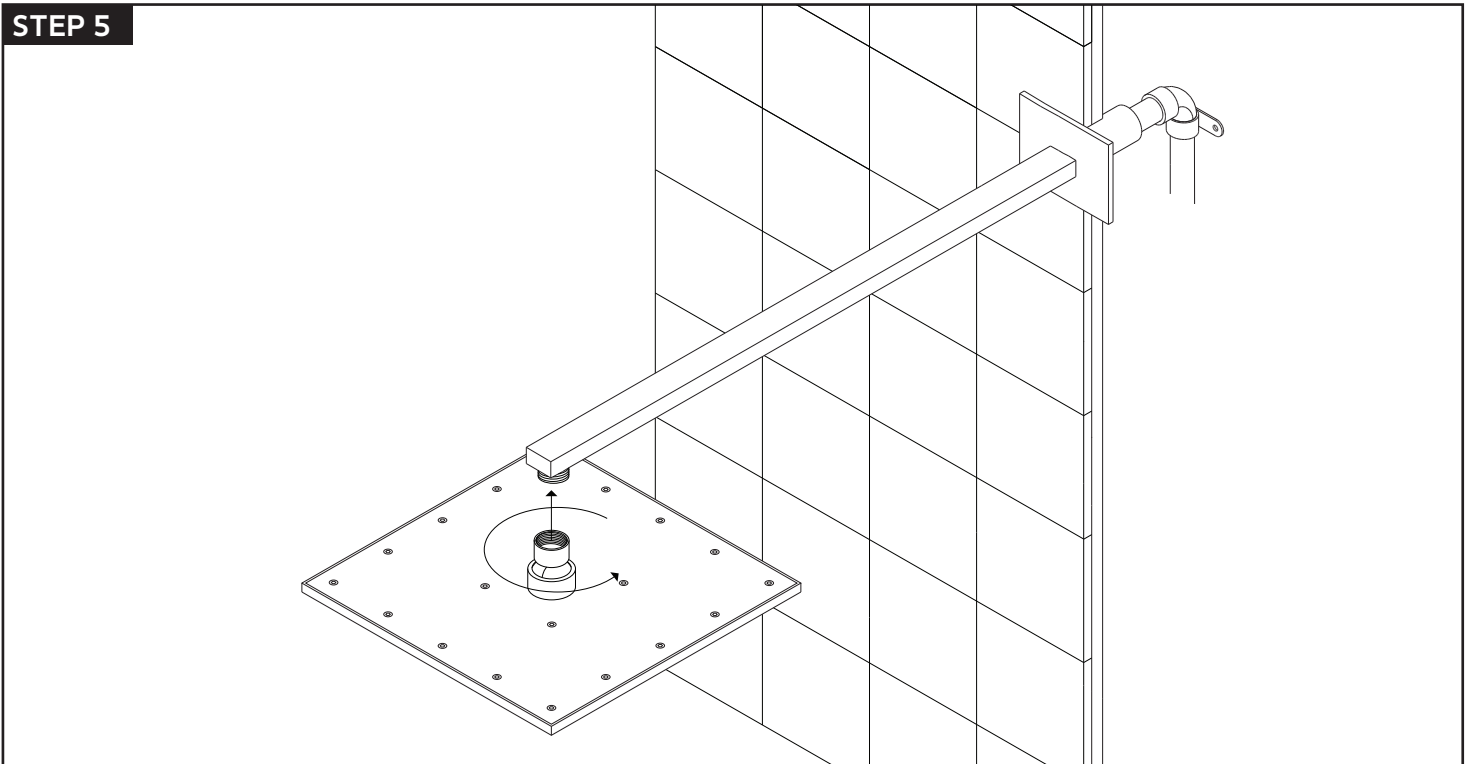
**INSTALLATION STEPS**

shower head

**STEP 4**

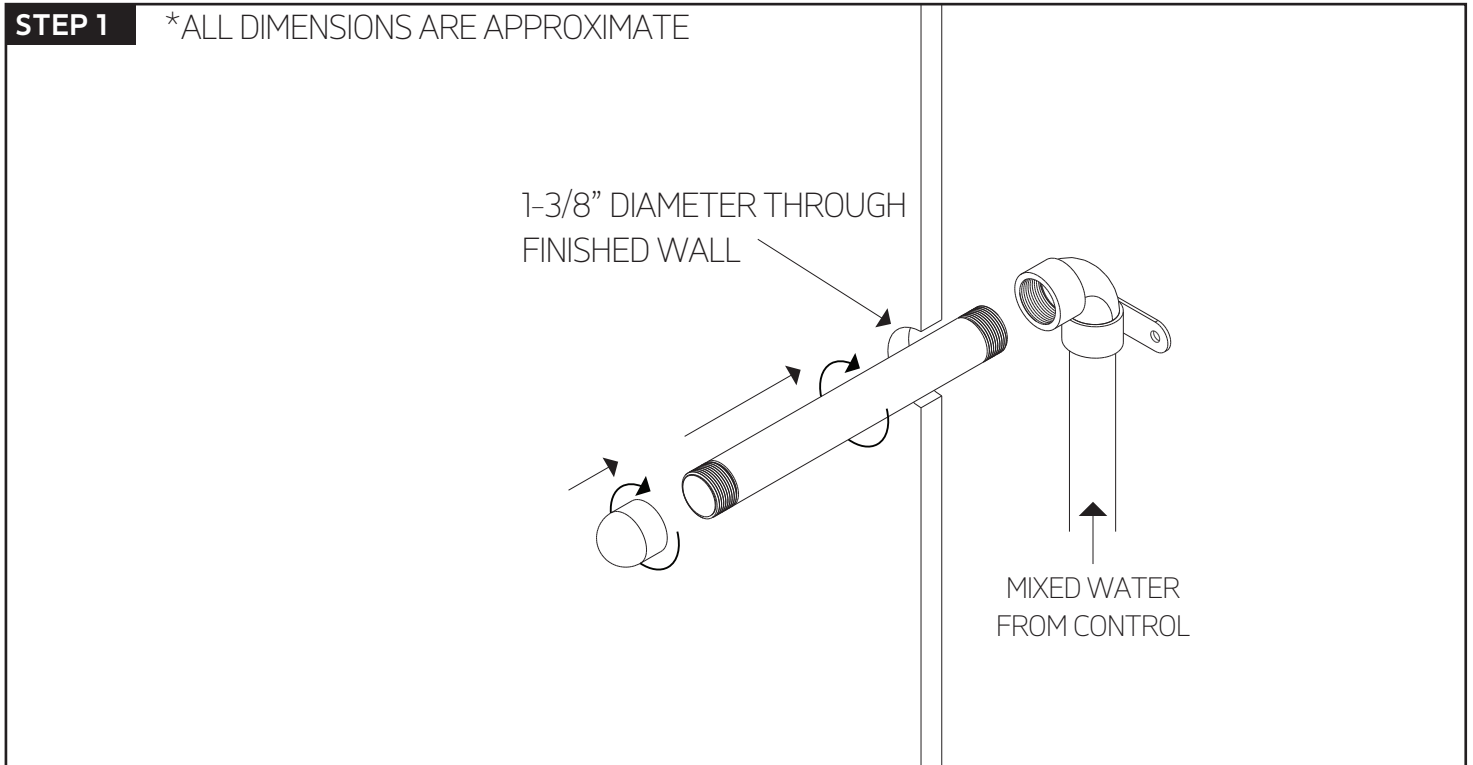


**STEP 5**

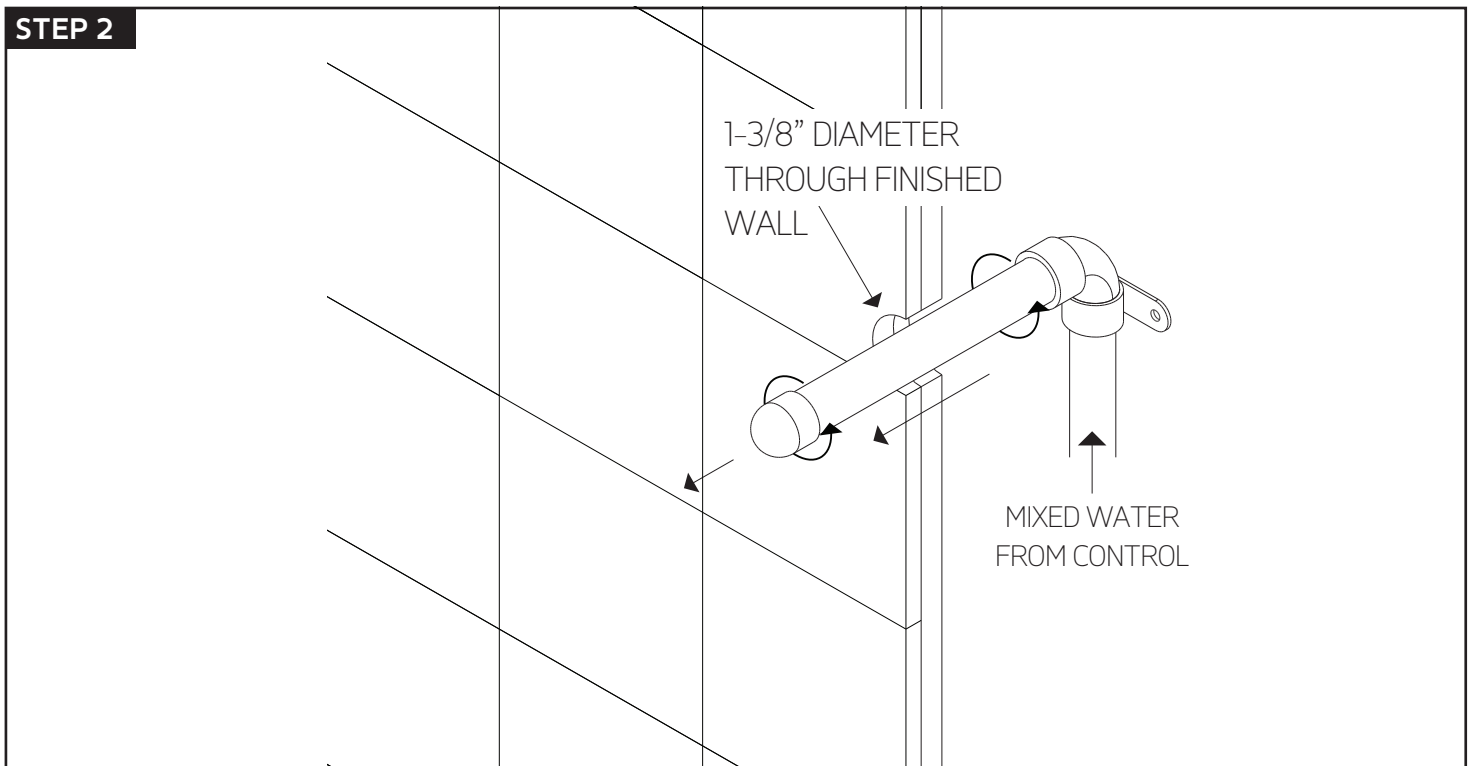


## hand shower

**STEP 1** \*ALL DIMENSIONS ARE APPROXIMATE



**STEP 2**

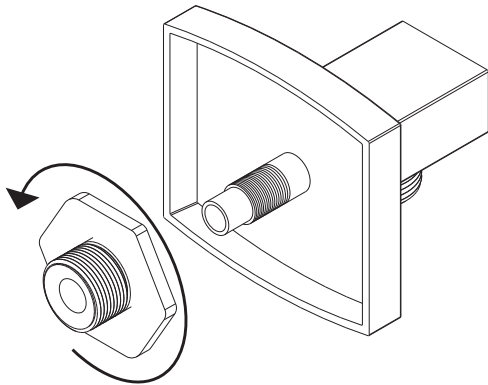


# artos<sup>®</sup>

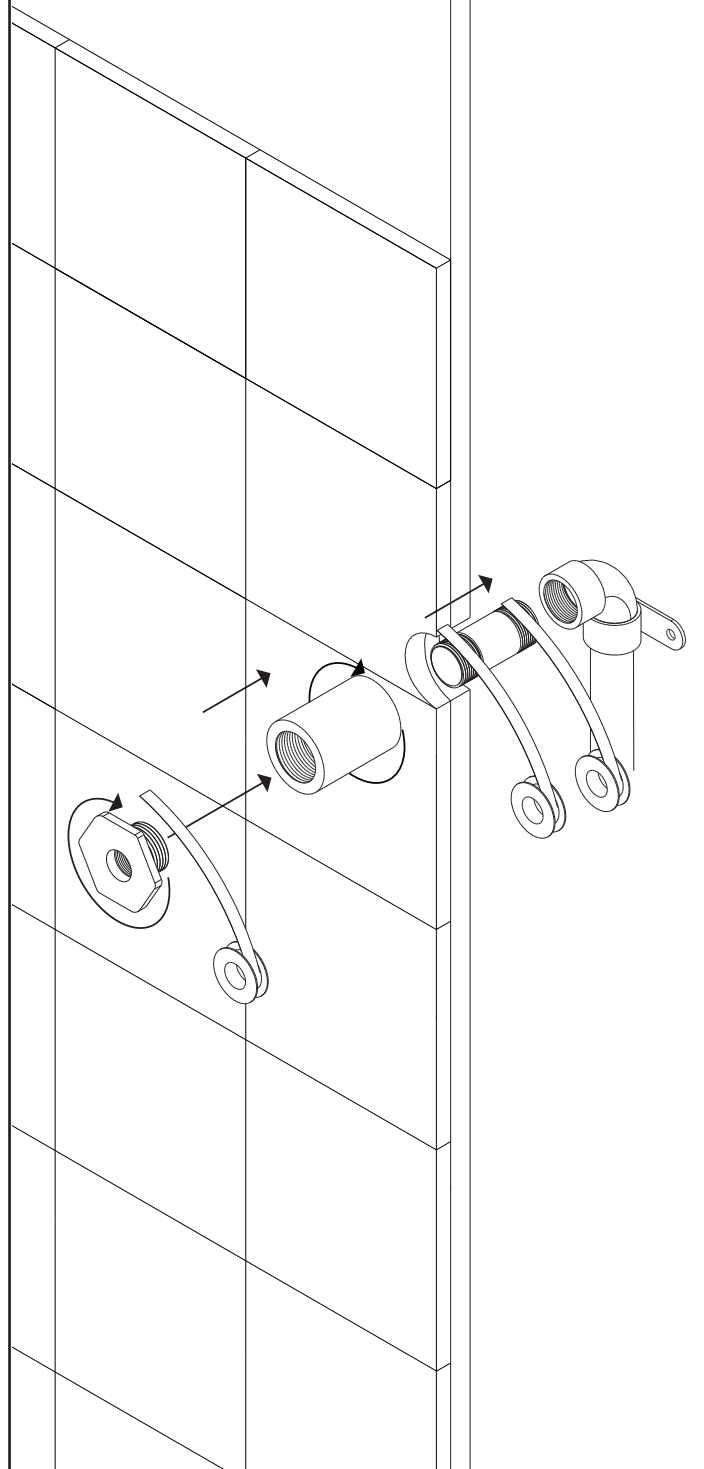
PS115

hand shower

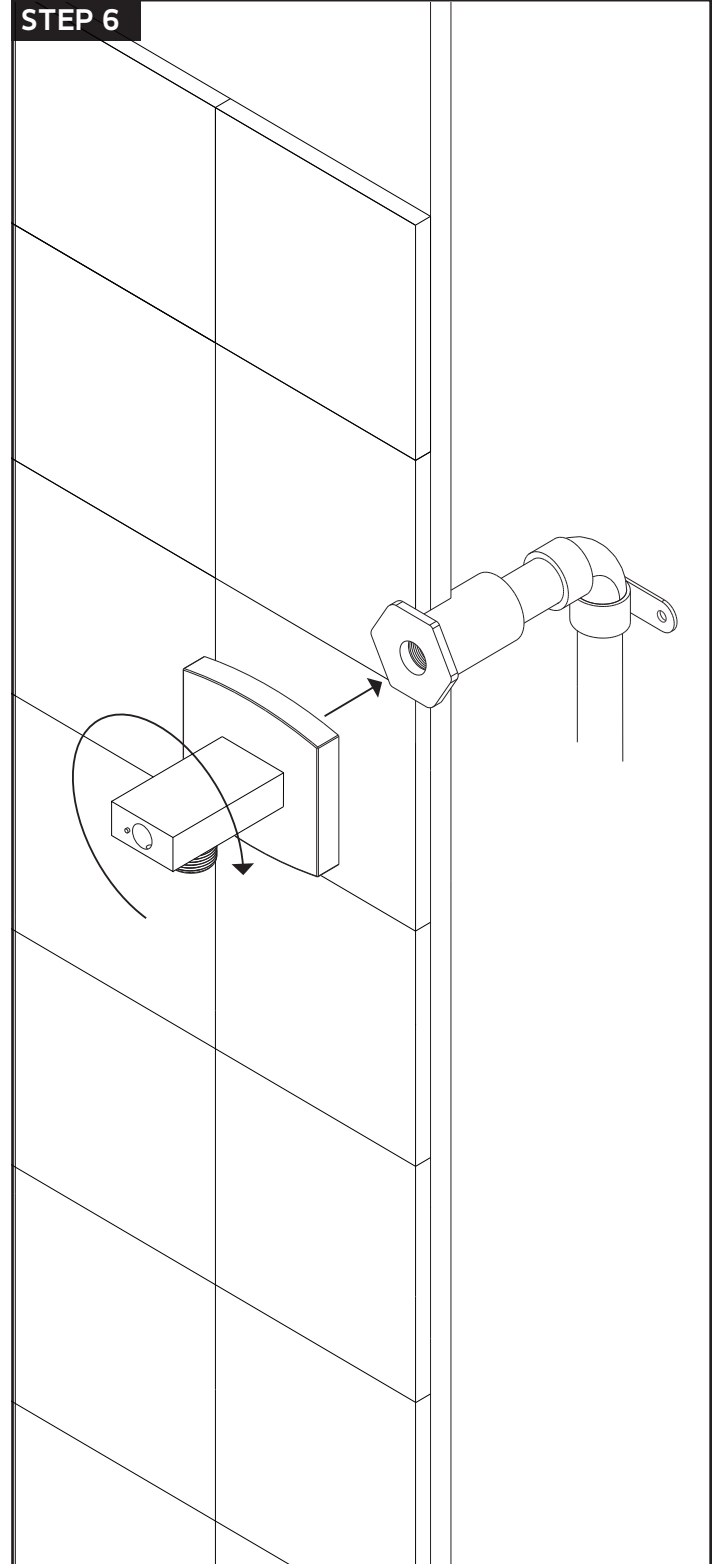
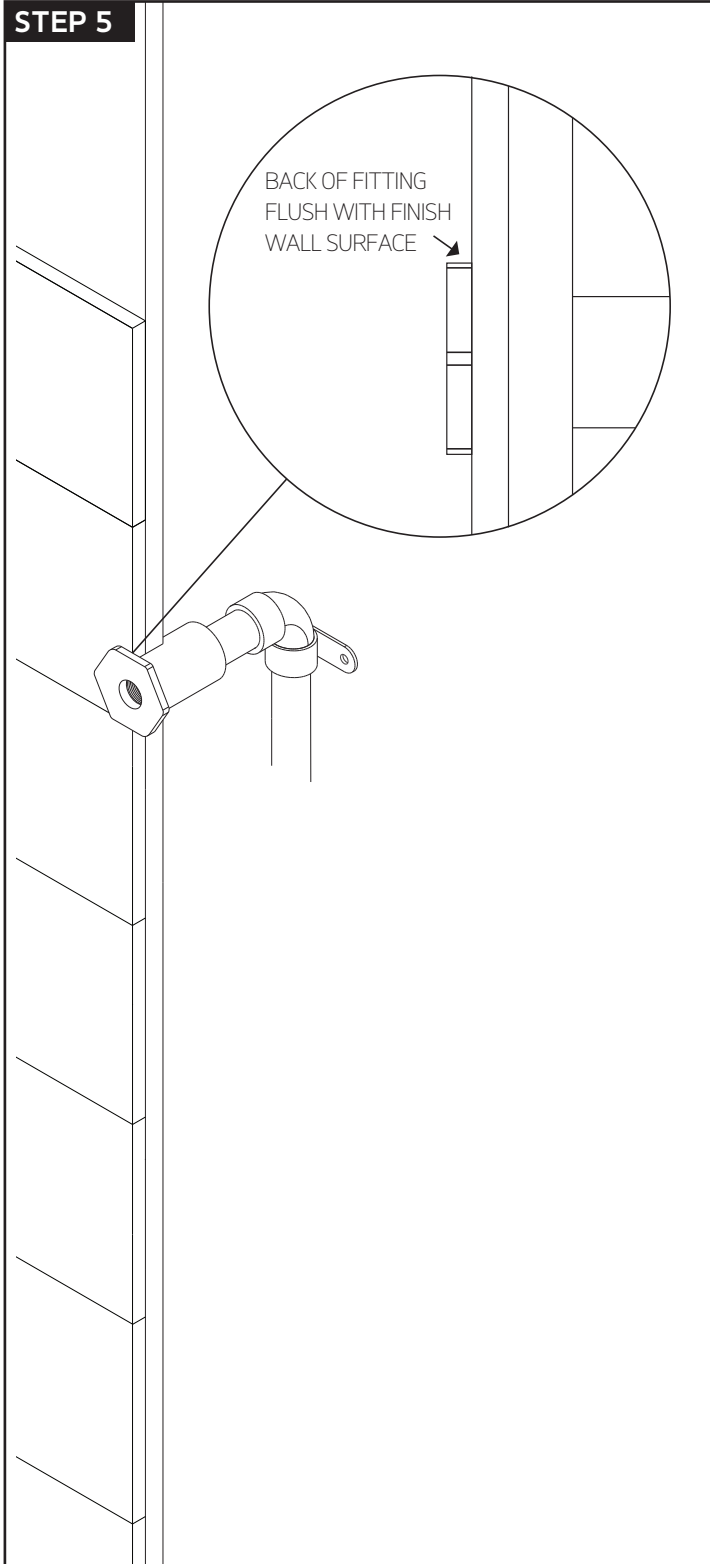
STEP 3



STEP 4



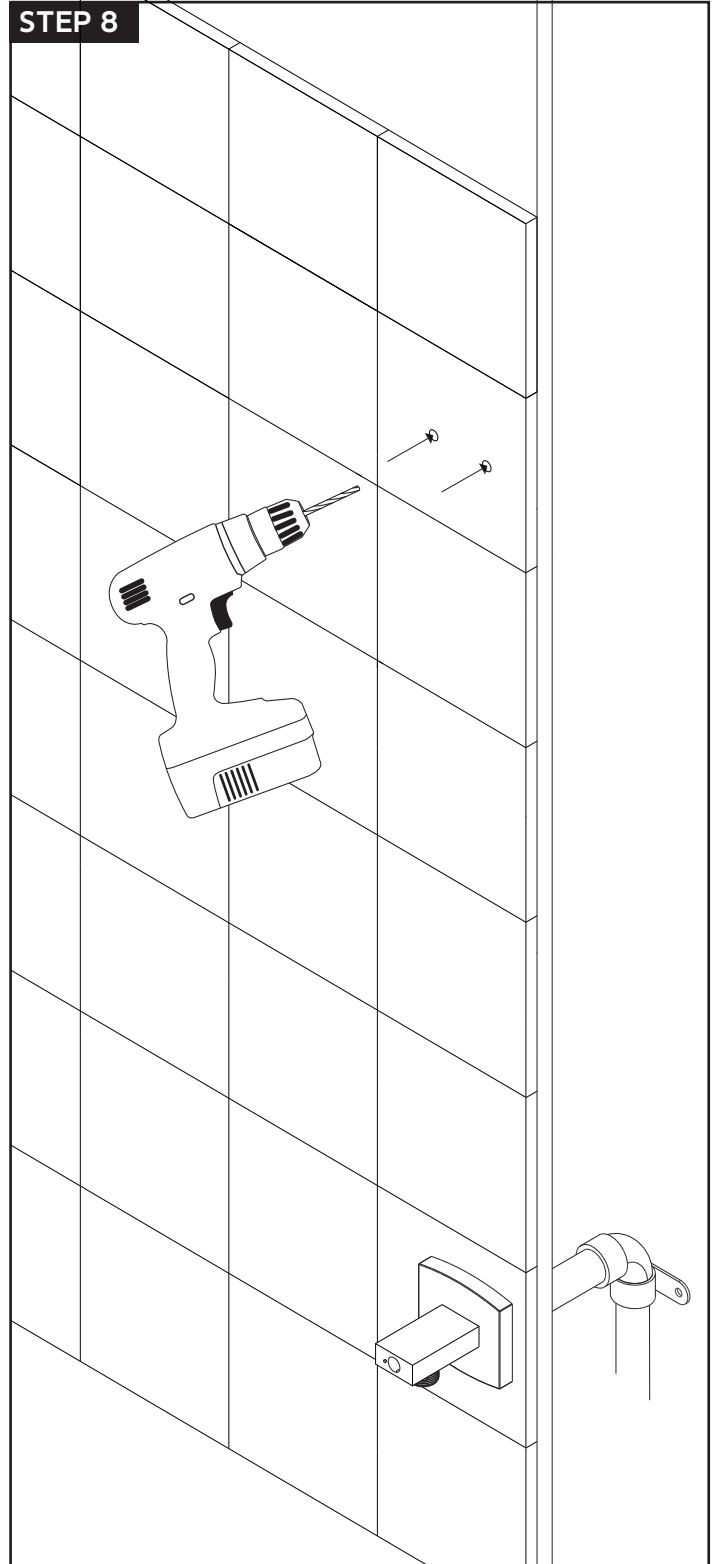
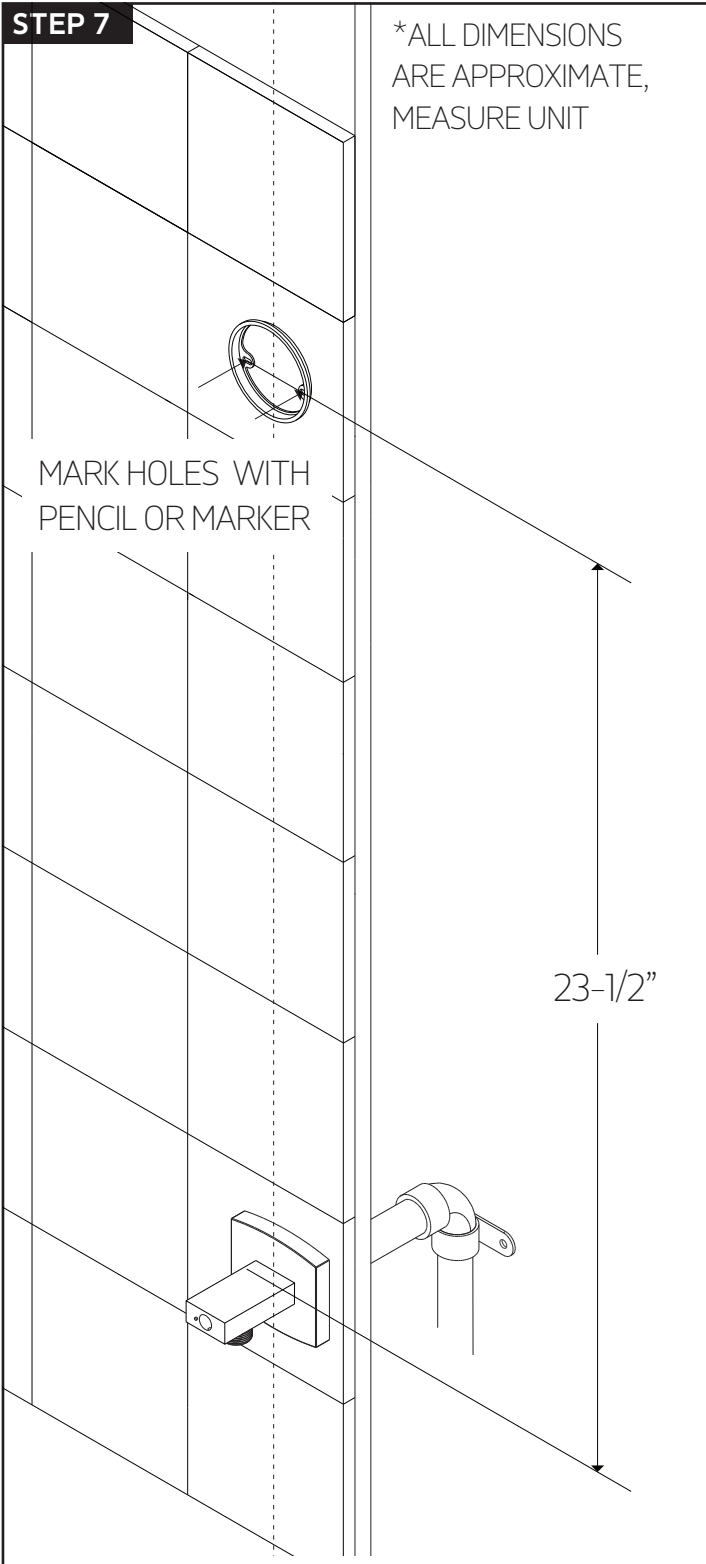
# INSTALLATION STEPS



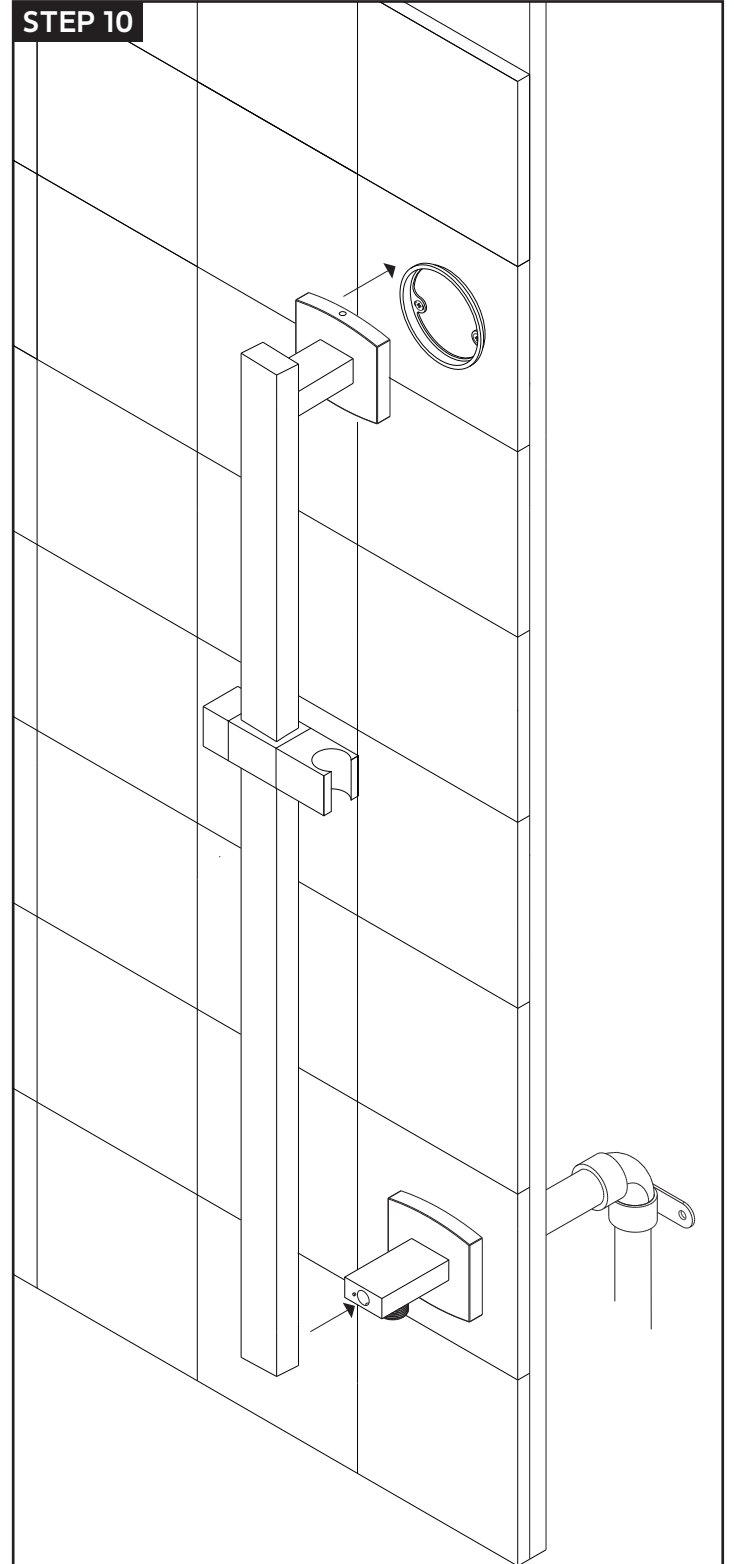
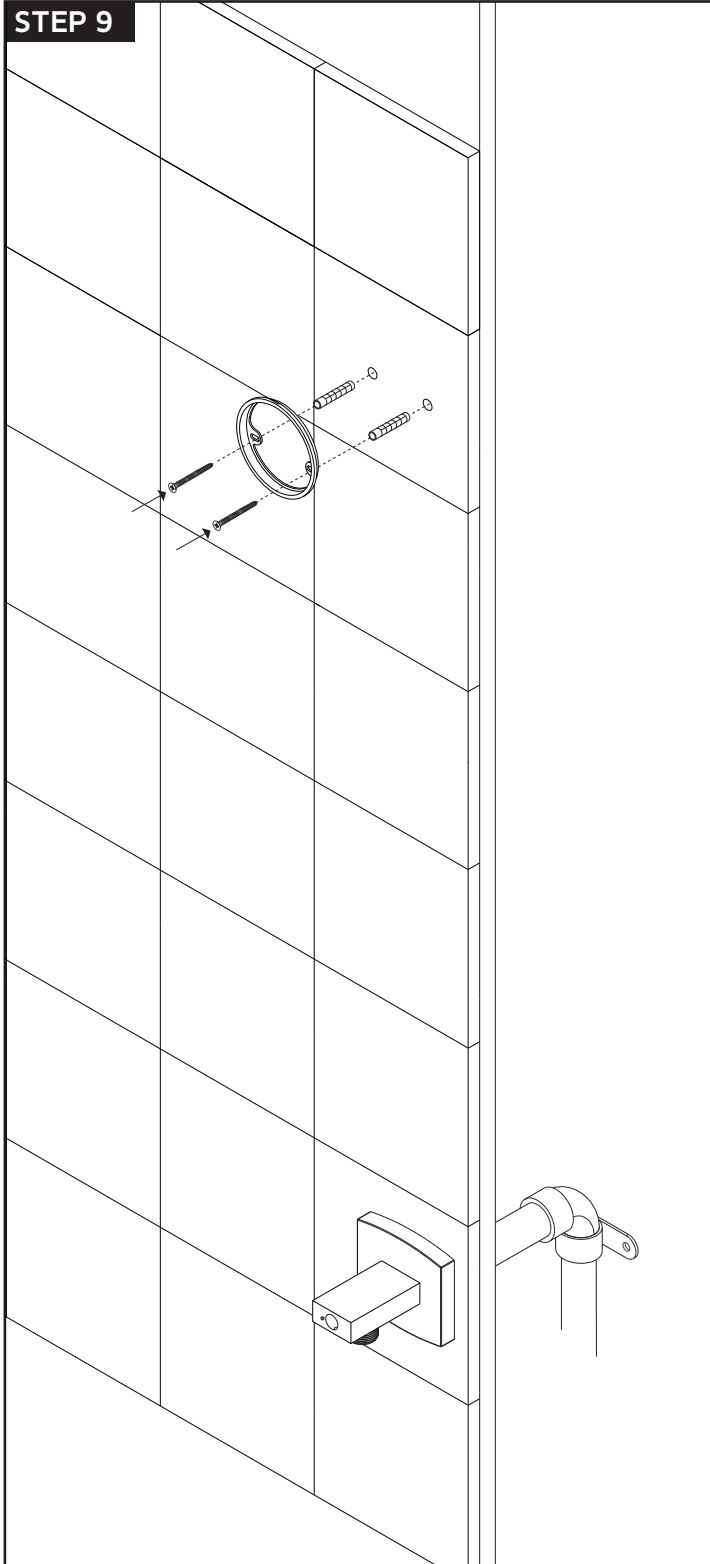
# artos<sup>®</sup>

PS115

hand shower



# INSTALLATION STEPS

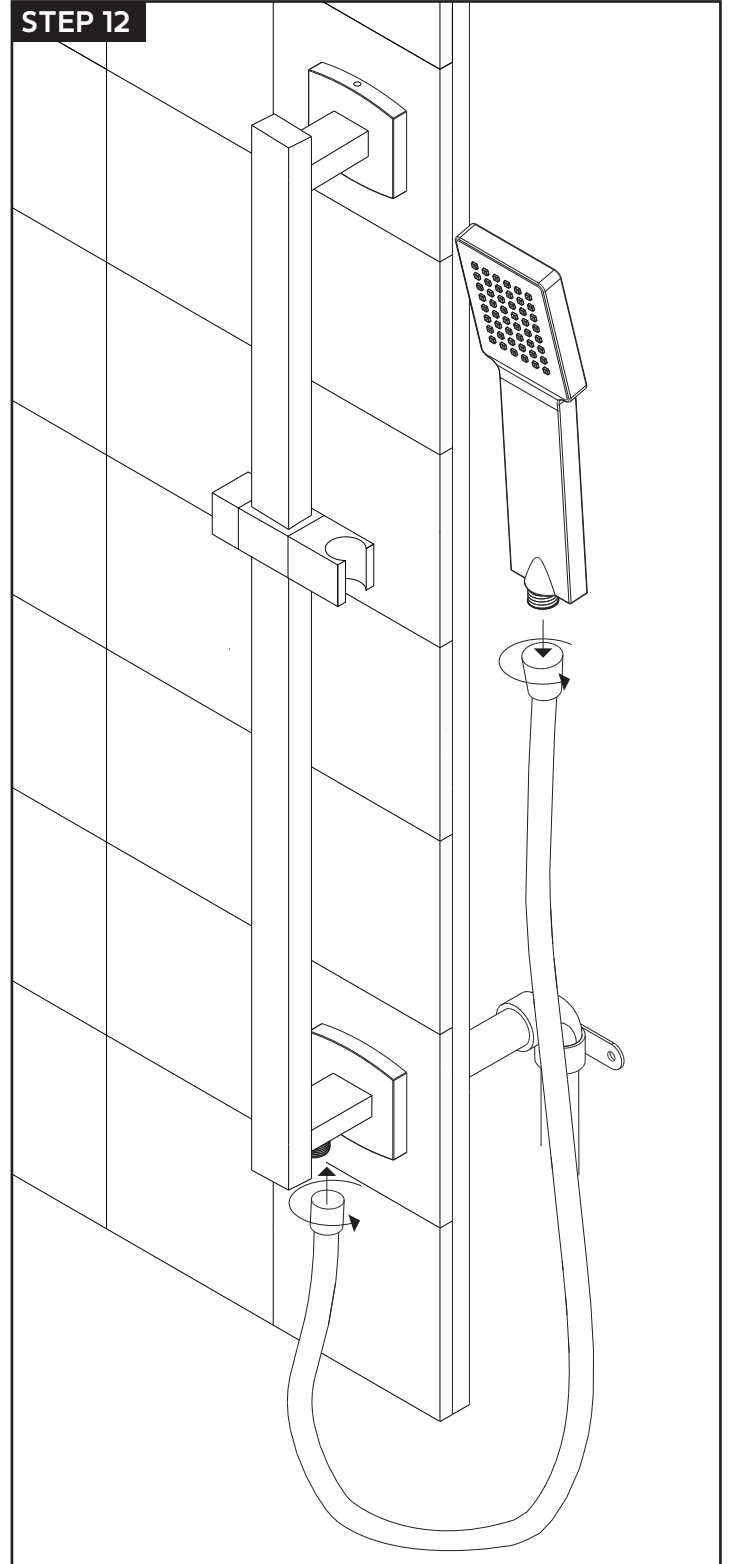
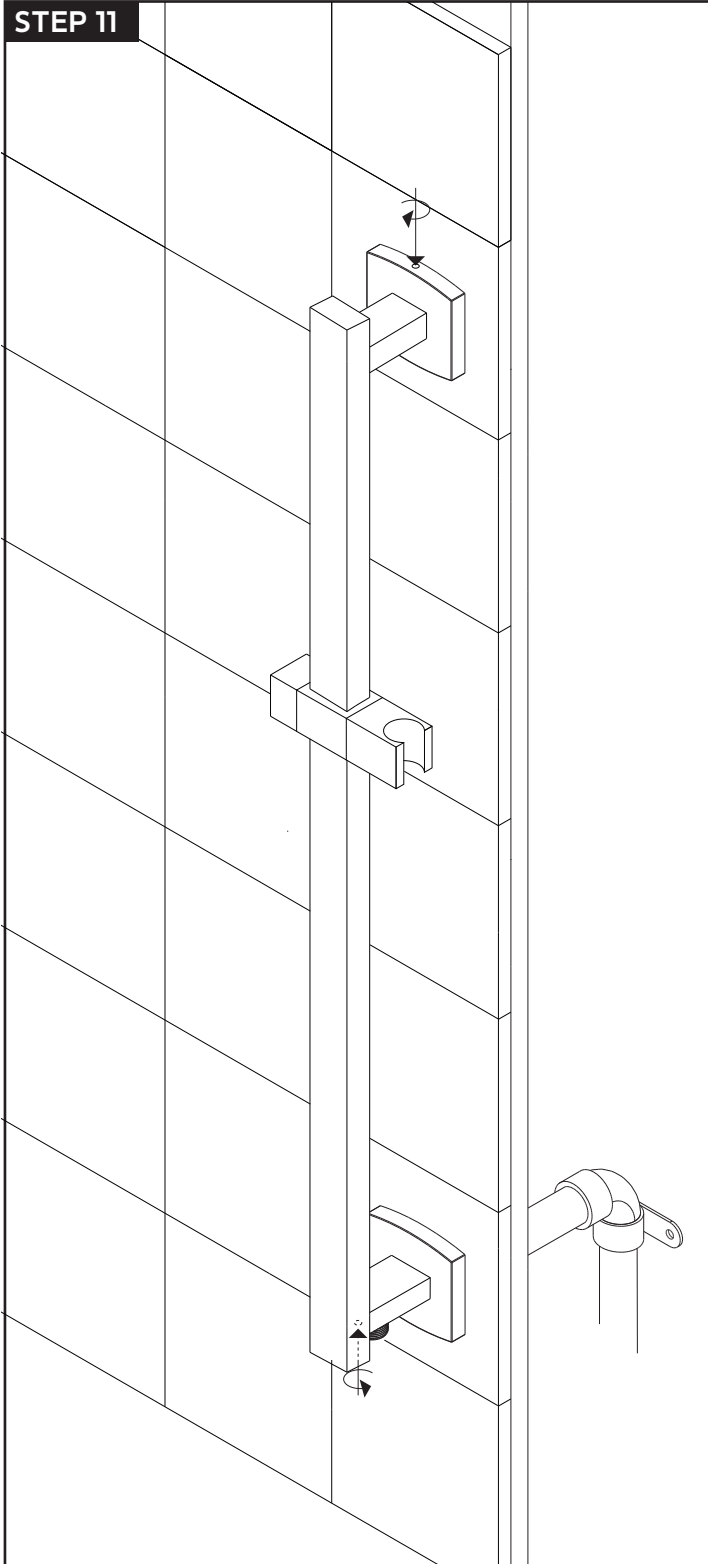


# artos<sup>®</sup>

PS115

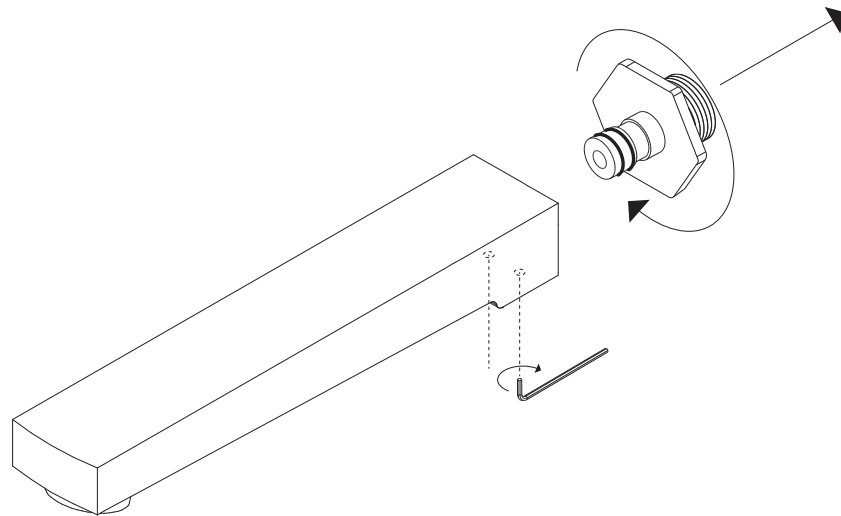
INSTALLATION STEPS

hand shower



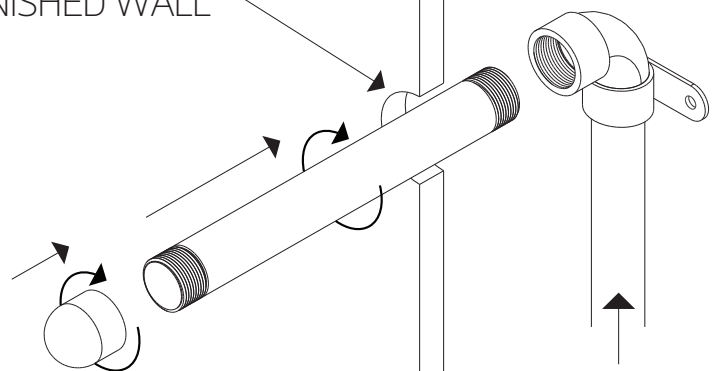
tub filler

STEP 1



STEP 2

1-3/8" DIAMETER THROUGH  
FINISHED WALL

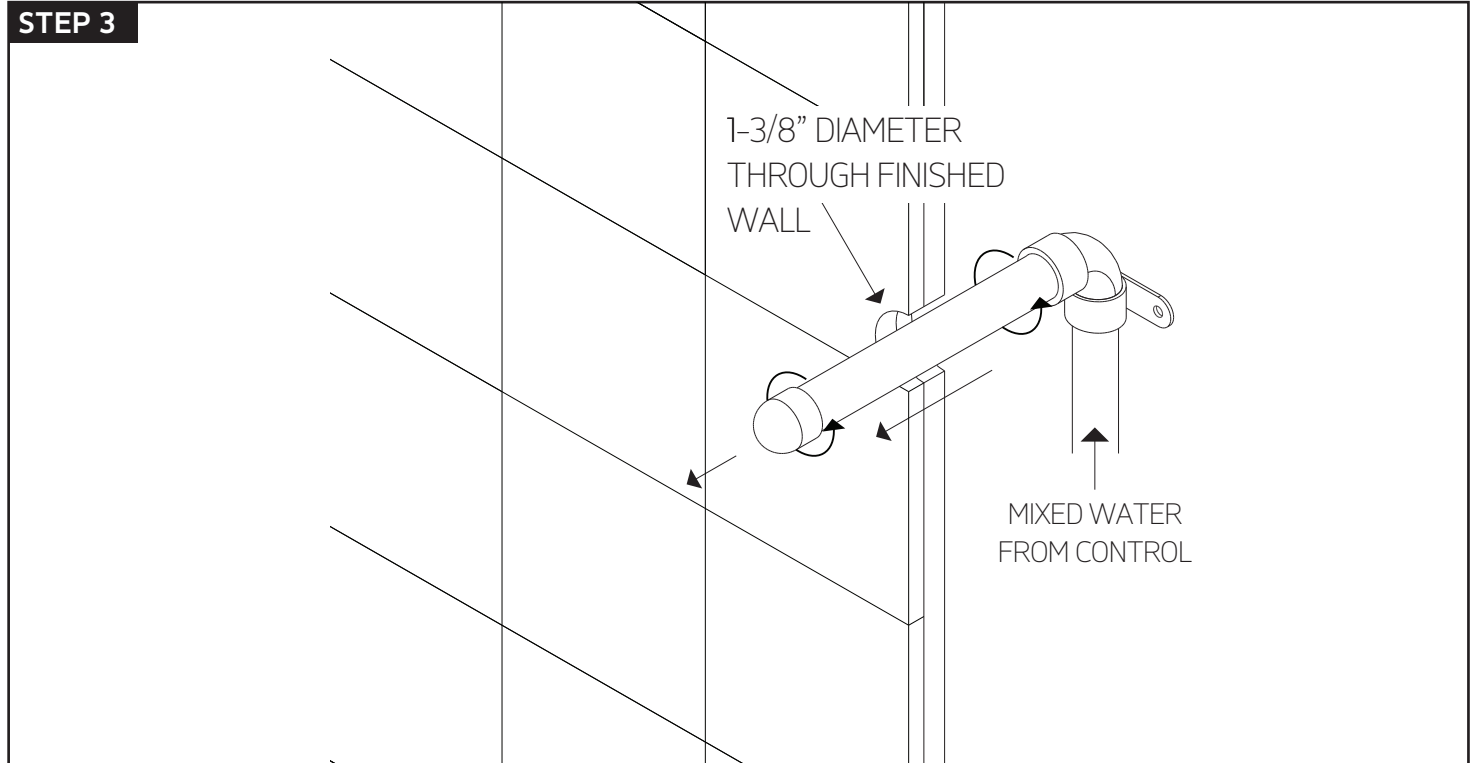


# artos<sup>®</sup>

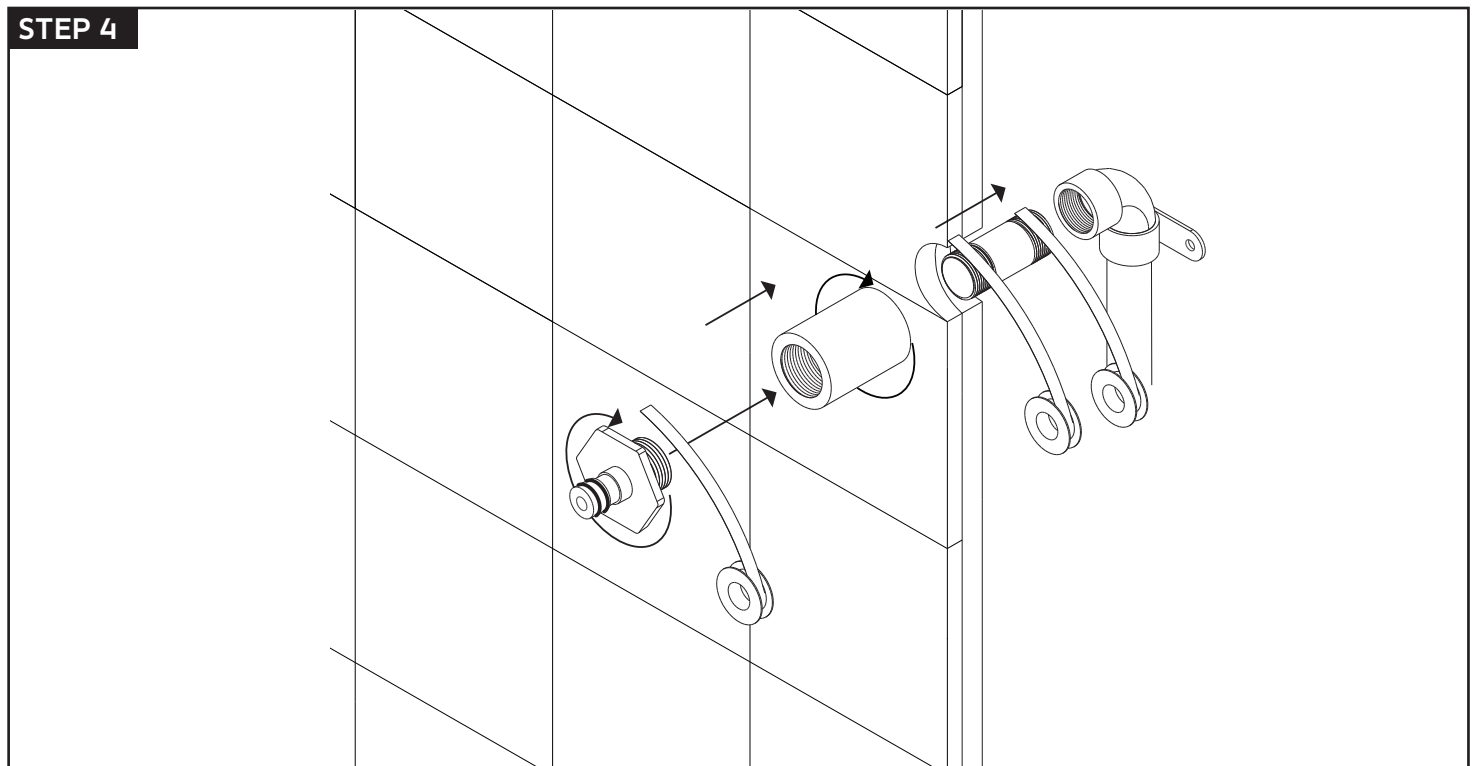
PS115

tub filler

## STEP 3

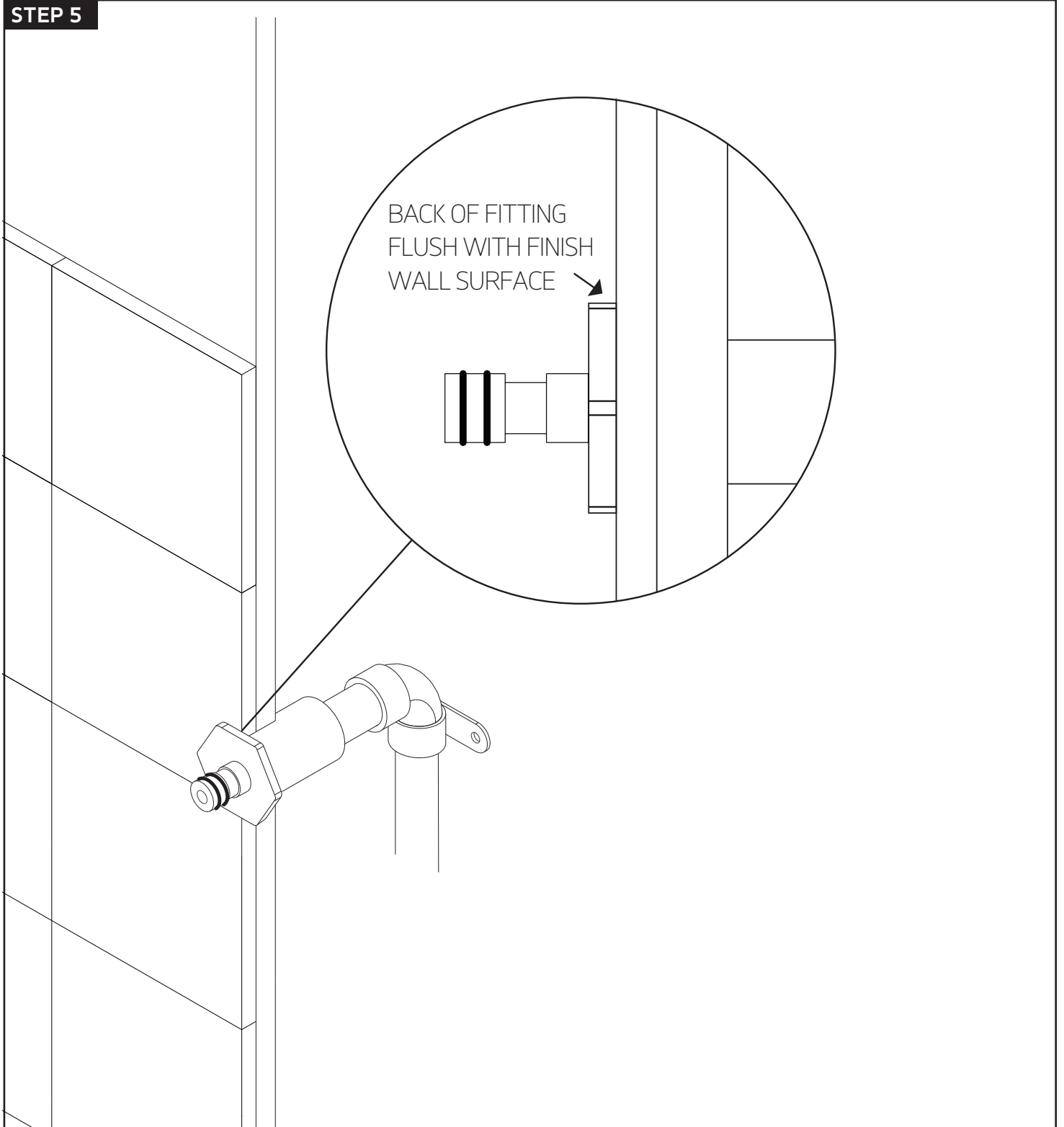


## STEP 4



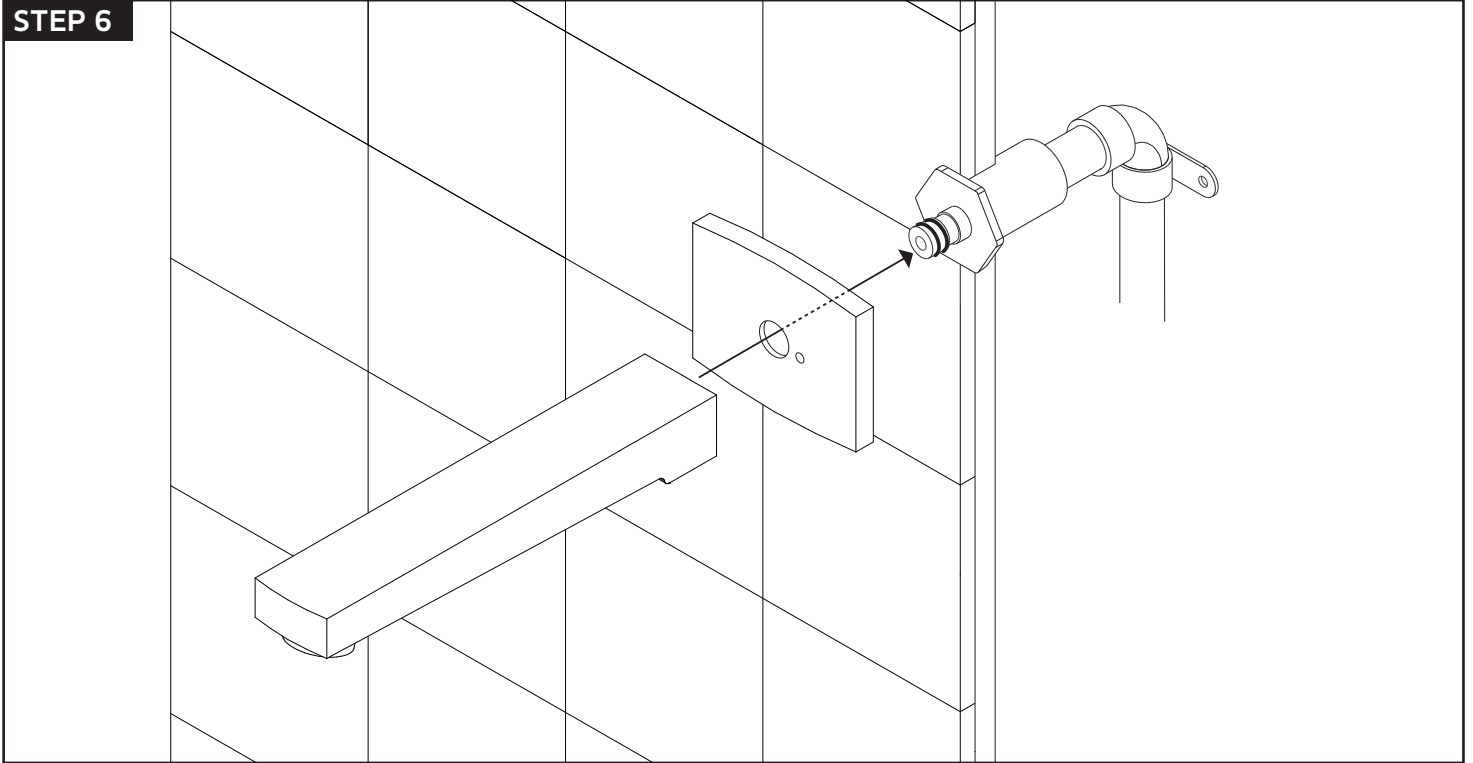
# INSTALLATION STEPS

## STEP 5

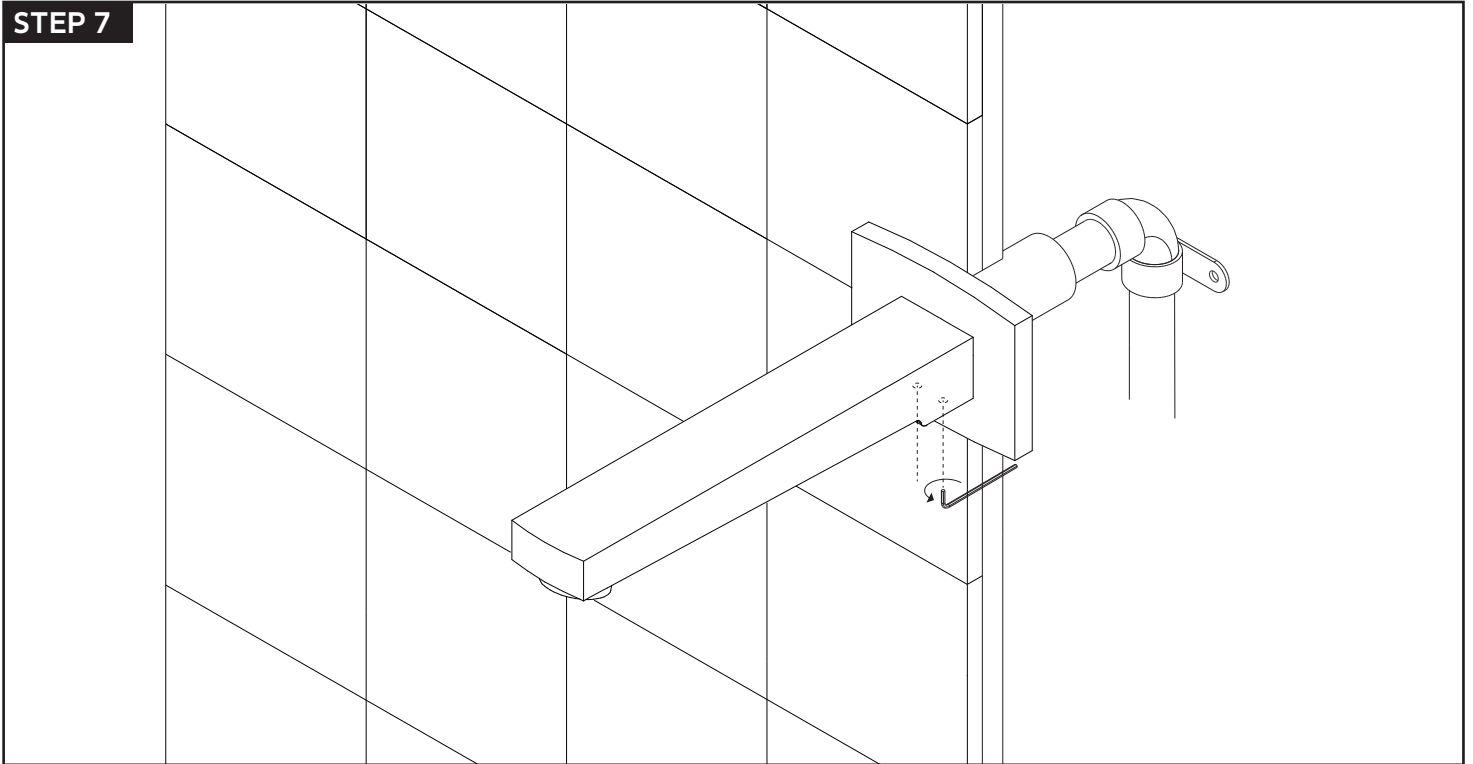


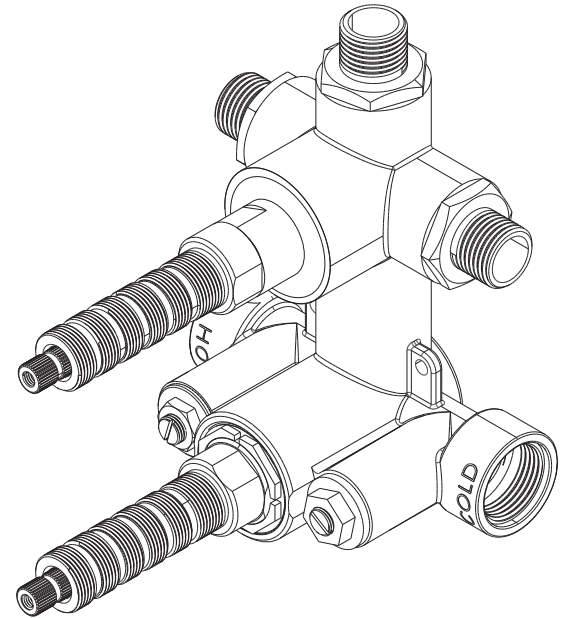
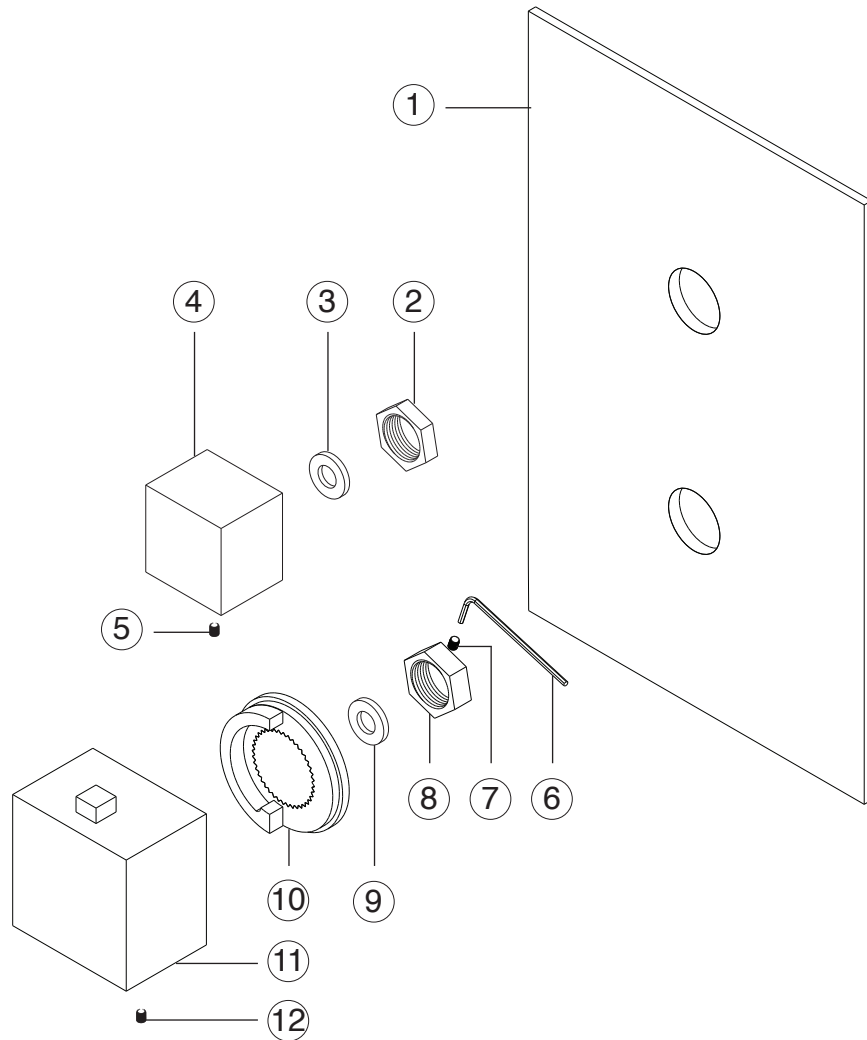
tub filler

STEP 6

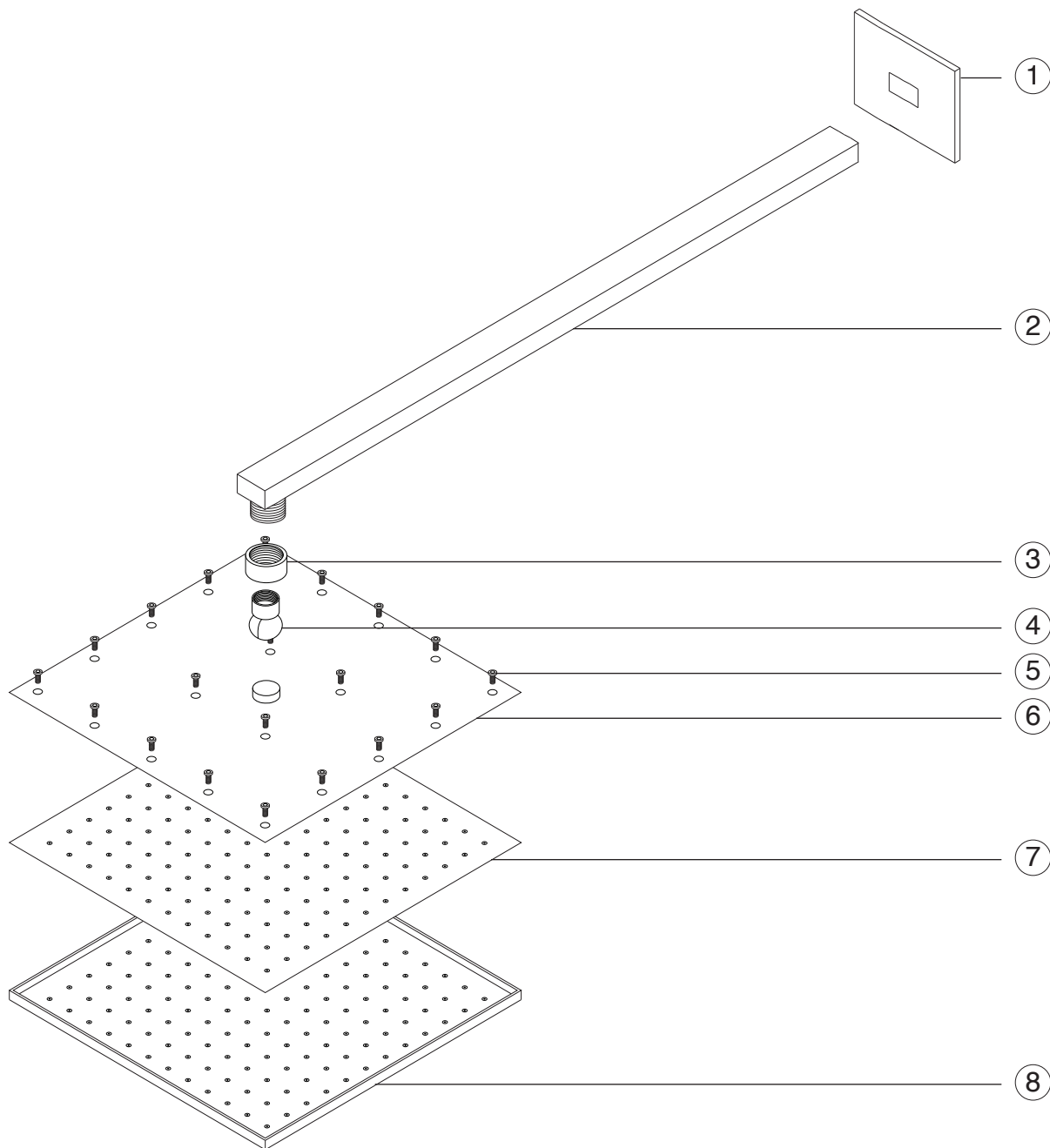


STEP 7



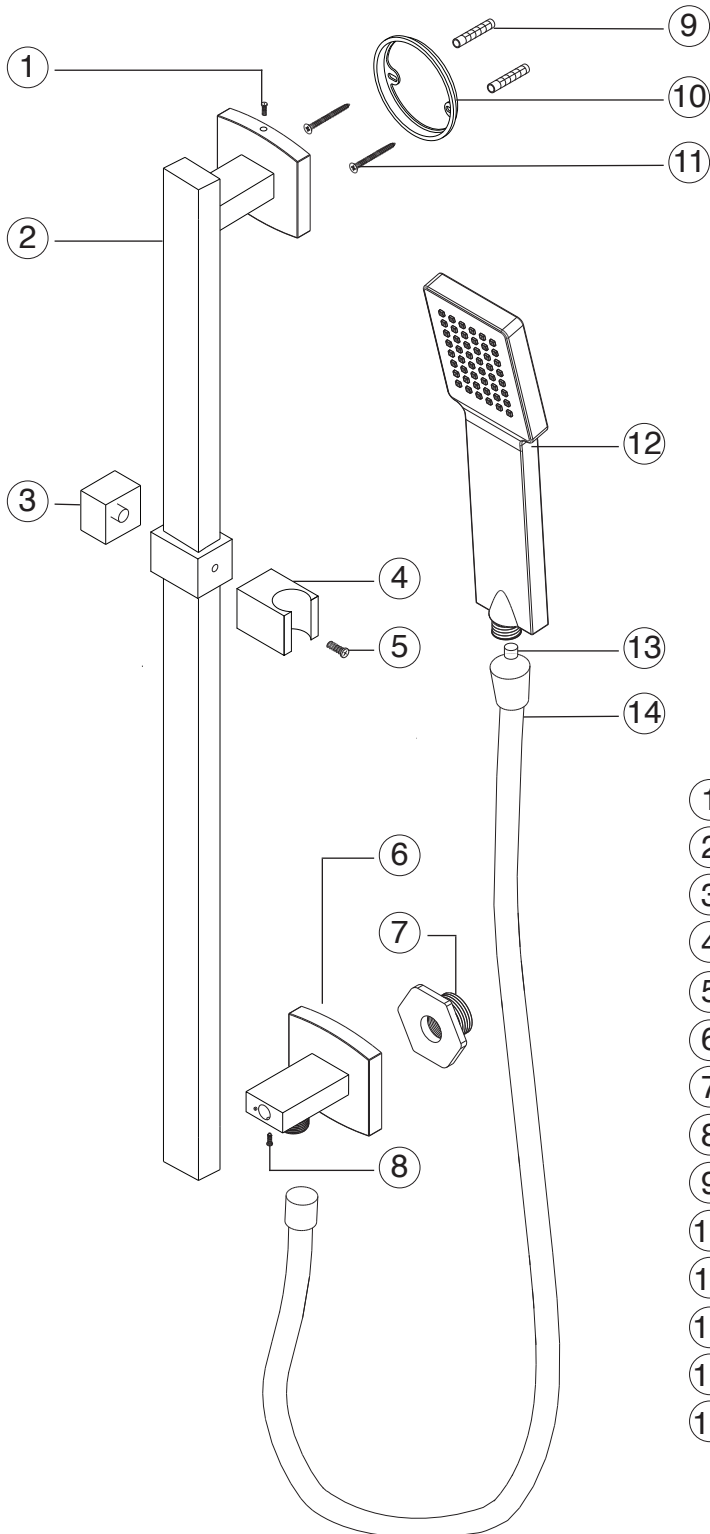


- |                              |                               |
|------------------------------|-------------------------------|
| ① ESCUTCHEON: F903A-9P       | ⑧ THERMOSTAT LOCKING NUT      |
| ② DIVERTER LOCKING NUT       | ⑨ NYLON WASHER                |
| ③ NYLON WASHER               | ⑩ TEMPERATURE LIMITING RING   |
| ④ DIVERTER HANDLE: F903A-10H | ⑪ THERMOSTAT HANDLE: F904A-2H |
| ⑤ DIVERTER SET SCREW         | ⑫ THERMOSTAT SET SCREW        |
| ⑥ ALLEN WRENCH               |                               |
| ⑦ LOCKING NUT SET SCREW      |                               |

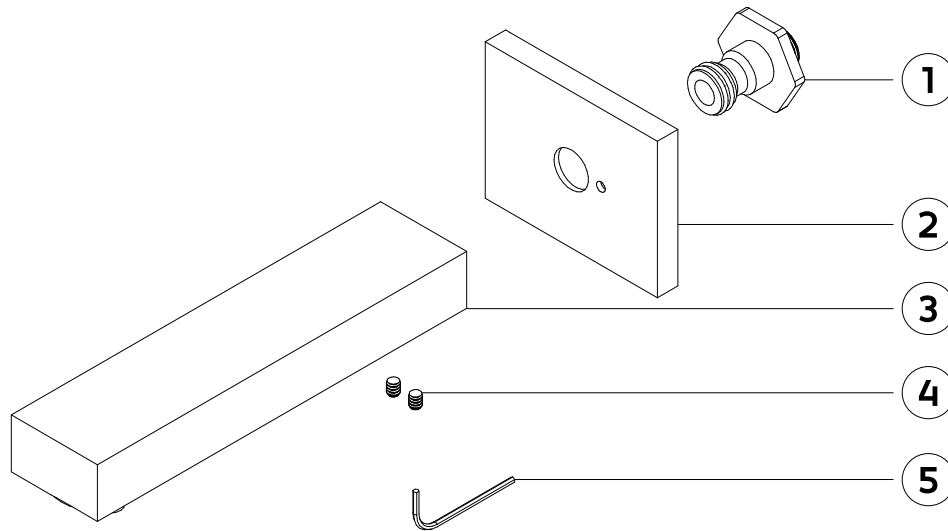


- ① **SHOWER ESCUTCHEON** F907-50 XP1
- ② **SHOWER ARM** F907-50 XP2
- ③ **SWIVEL ARM SECURING NUT** F907-50 XP3
- ④ **SWIVEL ARM** F907-50 XP4
- ⑤ **SHOWER HEAD SCREWS** F907-50 XP5
- ⑥ **SHOWER HEAD TOP** F907-50 XP6

- ⑦ **RUBBER MATRIX** F907-50 XP7
- ⑧ **SHOWER HEAD BOTTOM** F907-50 XP8



- ① WALL BRACKET SET SCREW
- ② SLIDE BAR: F902-14
- ③ SLIDE BAR ADJUSTMENT HANDLE
- ④ HAND SHOWER HOLDER
- ⑤ HAND SHOWER HOLDER SCREW
- ⑥ SLIDE BAR INLET/OUTLET
- ⑦ INLET ADAPTER
- ⑧ SLIDE BAR INLET/OUTLET SET SCREW
- ⑨ WALL ANCHORS
- ⑩ WALL BRACKET
- ⑪ WALL BRACKET SCREWS
- ⑫ HAND SHOWER: F902-15
- ⑬ HAND SHOWER CHECK VALVE
- ⑭ HAND SHOWER HOSE: F902-8



- 1 WALL CONNECTION
- 2 ESCUTCHEON
- 3 SPOUT
- 4 SET SCREW (2)
- 5 ALLEN WRENCH