

artos®

PS109

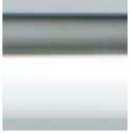
INSTALLATION GUIDE

premier series shower set

BRUSHED NICKEL(BN)



CHROME(CH)



BLACK(BK)



artos[®]

PS109

OPERATING SPECIFICATIONS

premier series shower set



FEATURES

Solid Brass
3-Outlets

OPERATING PRESSURE

Minimum: 15 psi
Maximum: 75 psi
Above 90psi it may be necessary to install a pressure reducer

OPERATING TEMPERATURE

Maximum: 176°

FLOW CAPACITY

Hand Shower: 1.8 USGPM
Shower Heads: 1.8 USGPM

F901-8 APPROVAL



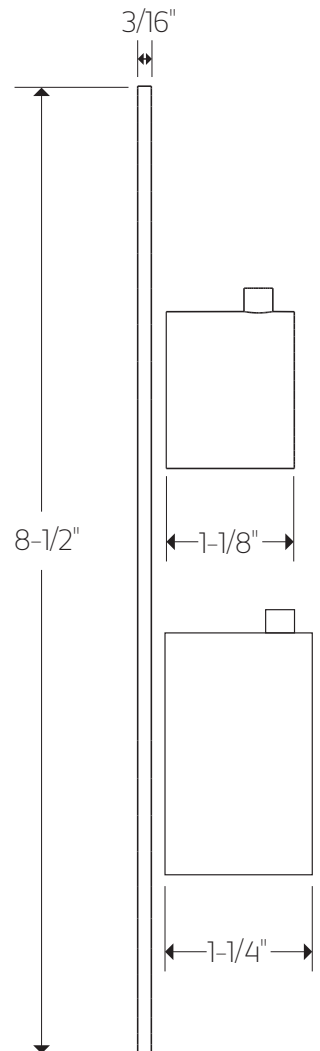
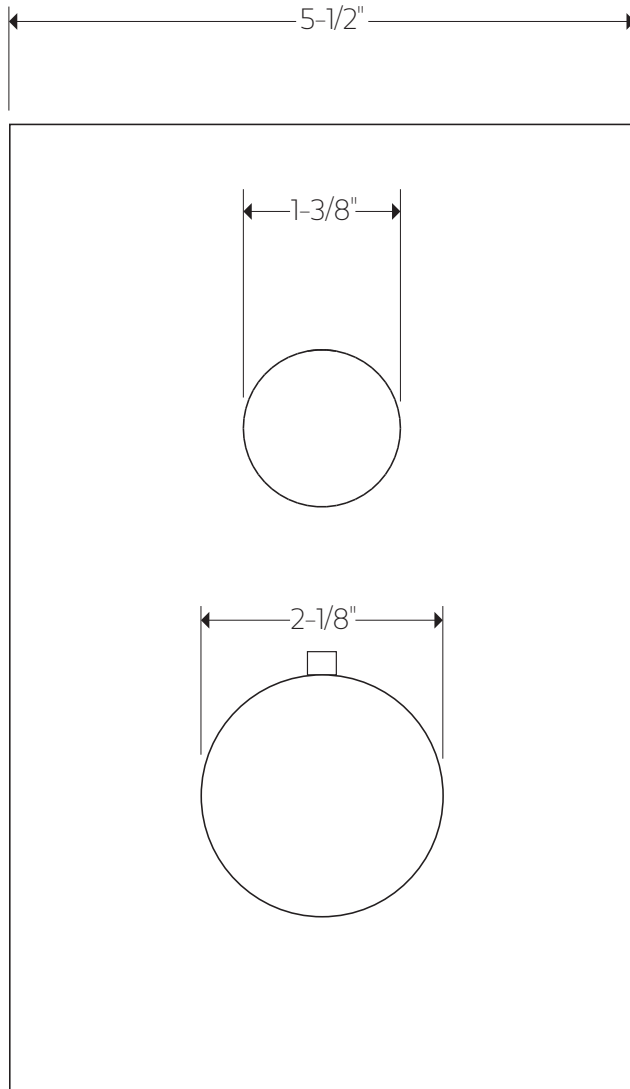
artos[®]

PS109

premier series shower set

PRODUCT DIMENSIONS

for trim kit



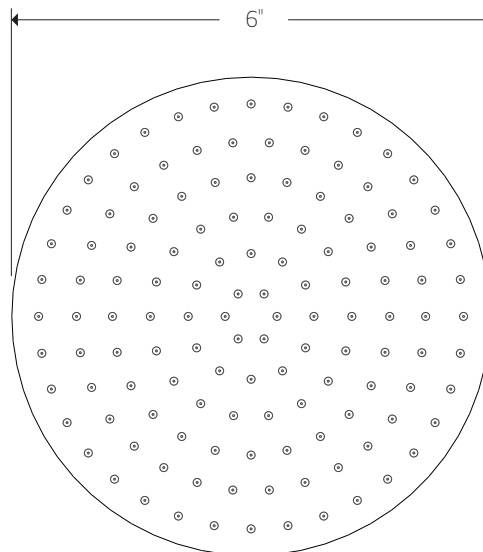
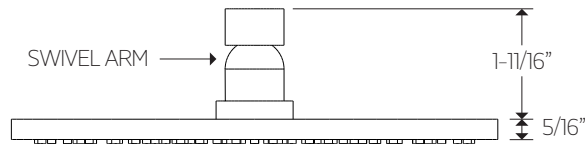
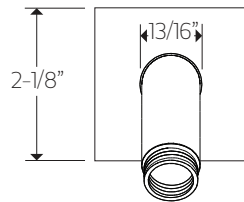
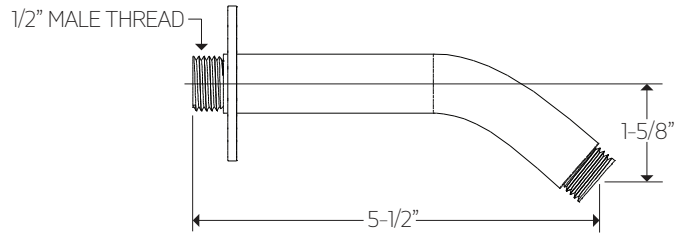
artos[®]

PS109

premier series shower set

PRODUCT DIMENSIONS

for wall mount shower head



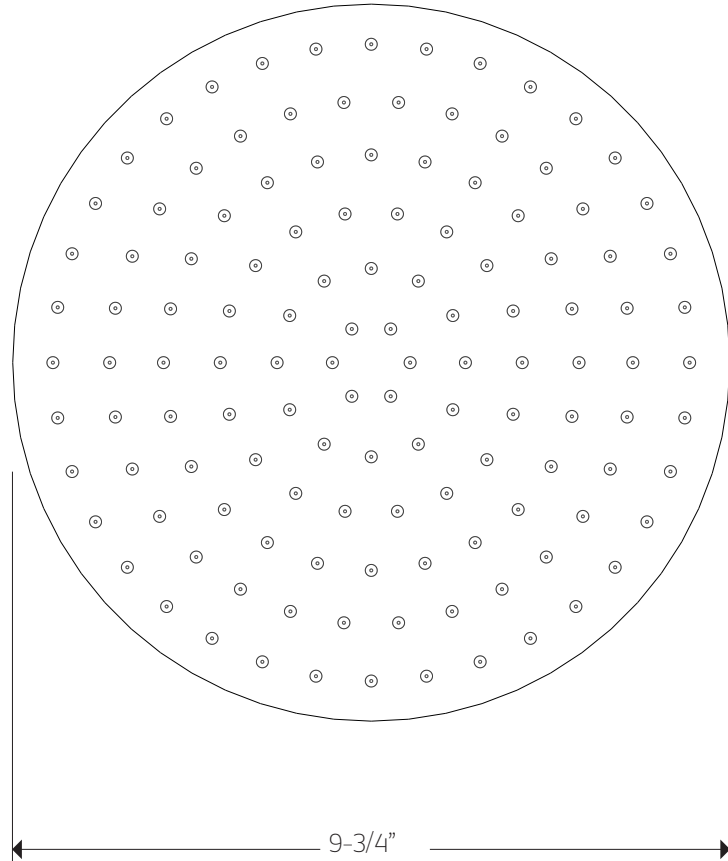
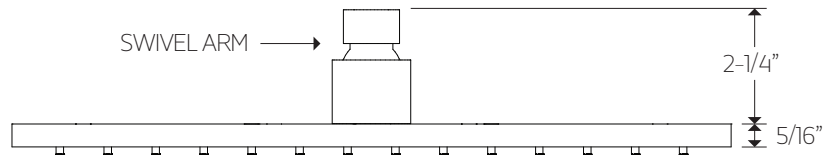
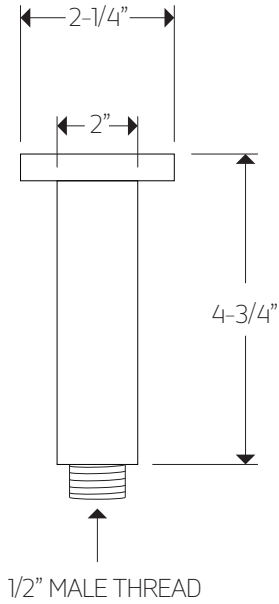
artos[®]

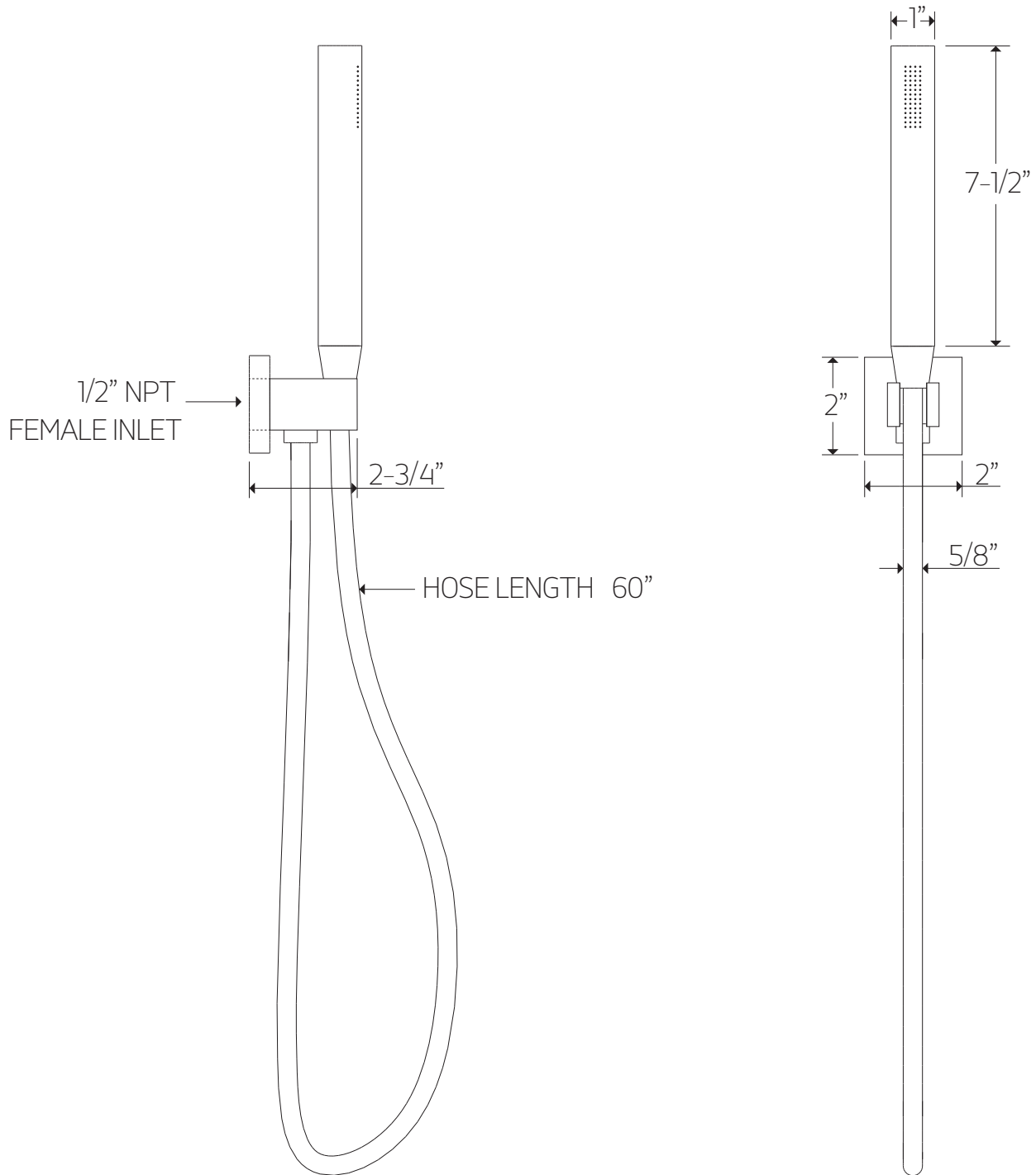
PS109

PRODUCT DIMENSIONS

premier series shower set

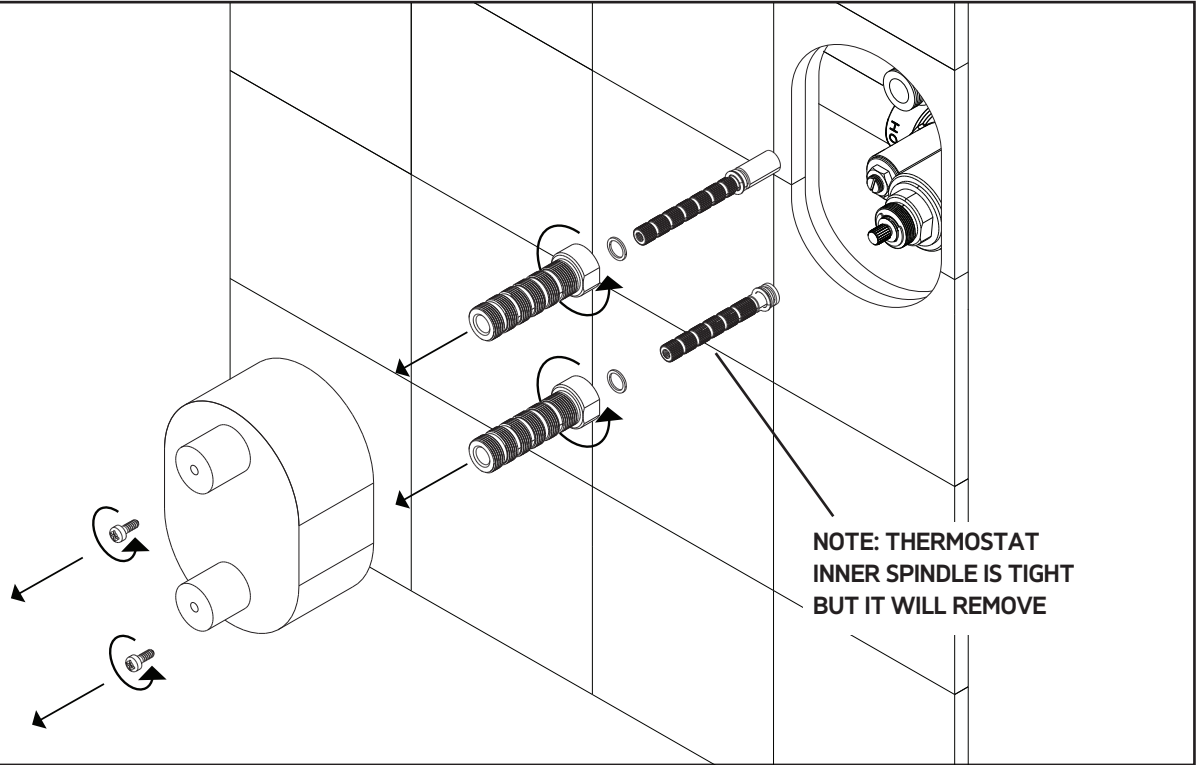
for ceiling mount shower head



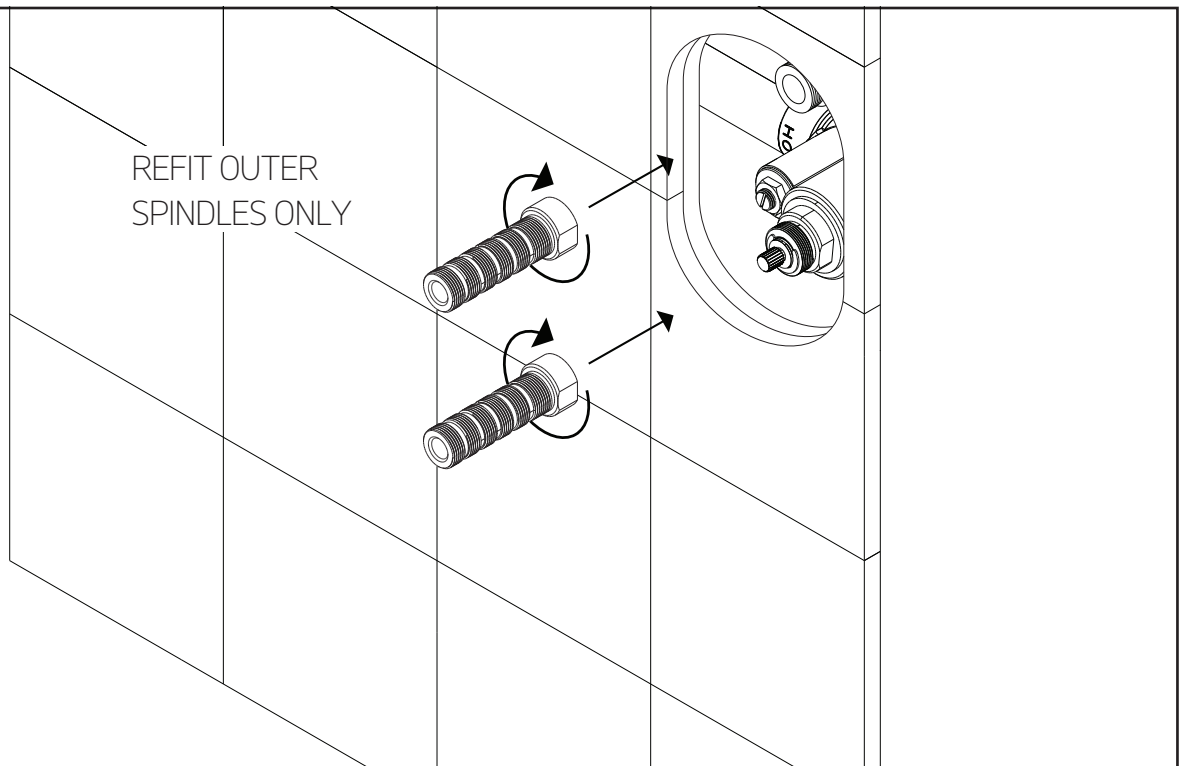


valve trim

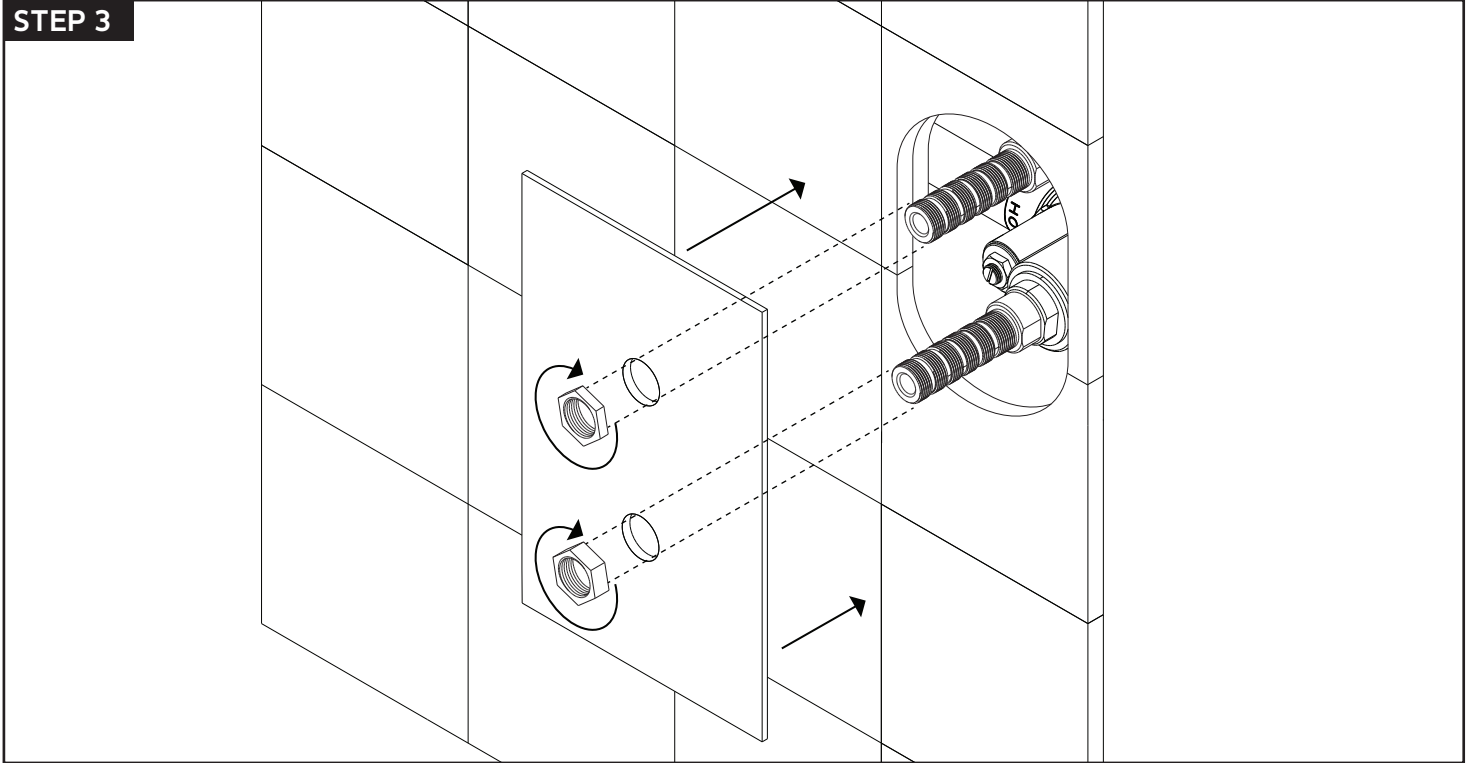
STEP 1



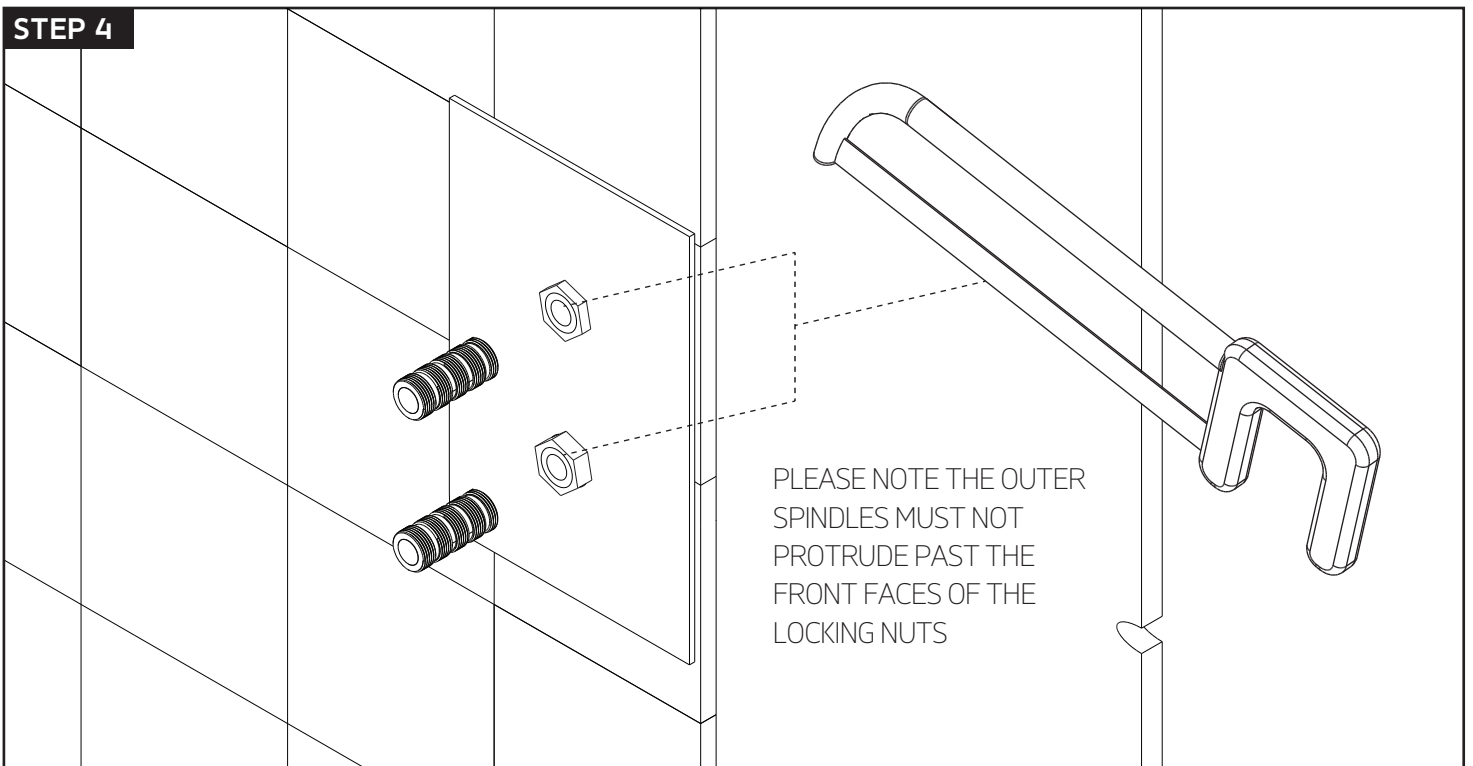
STEP 2



STEP 3

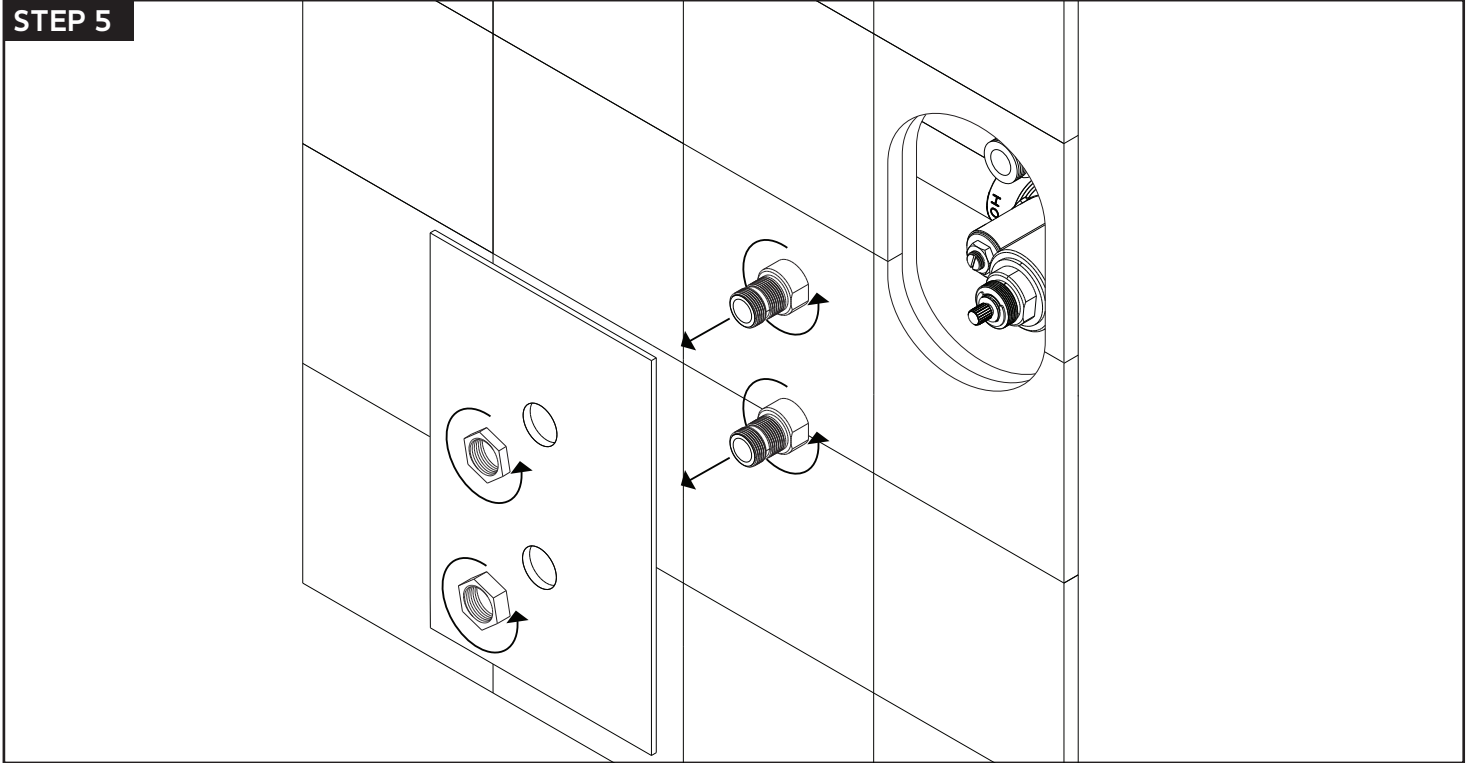


STEP 4

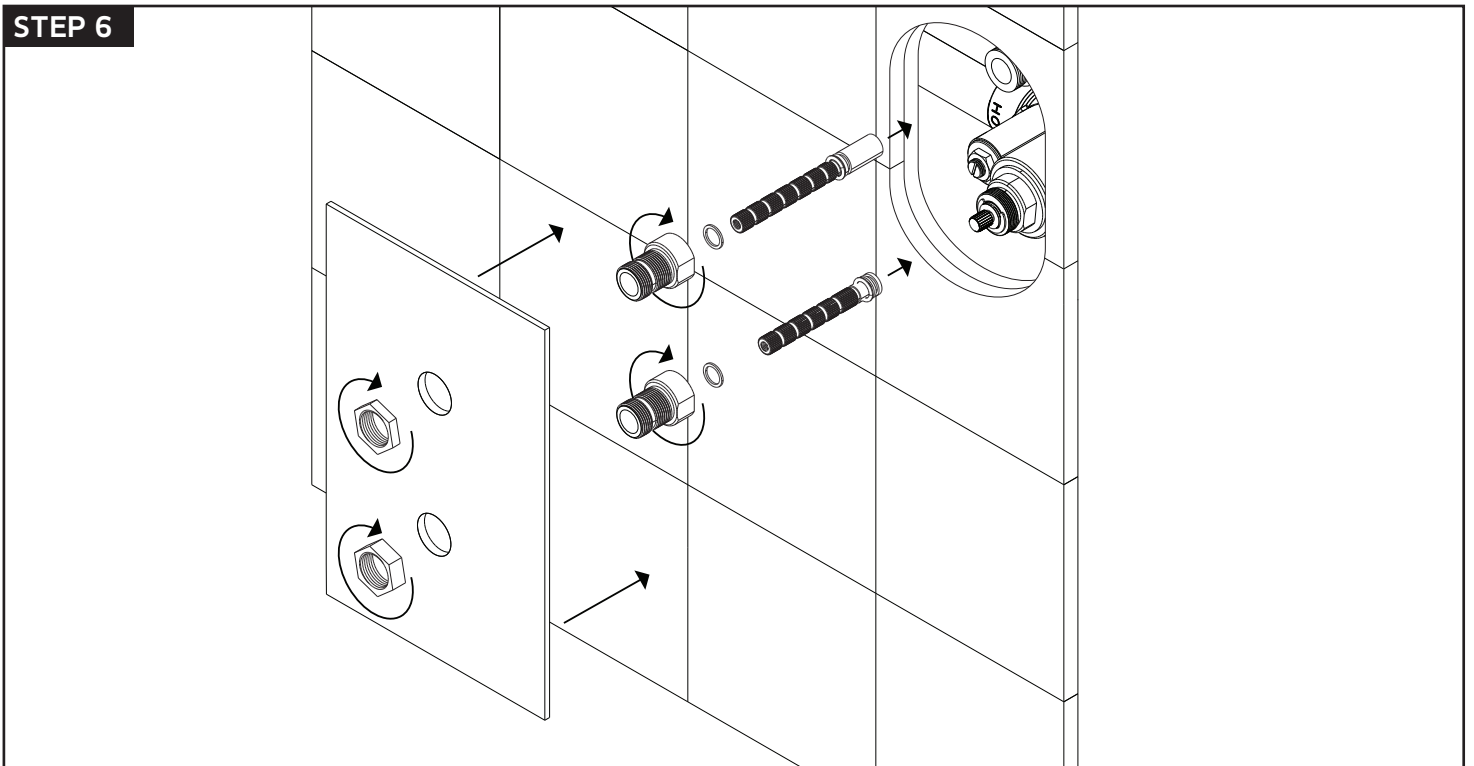


INSTALLATION STEPS

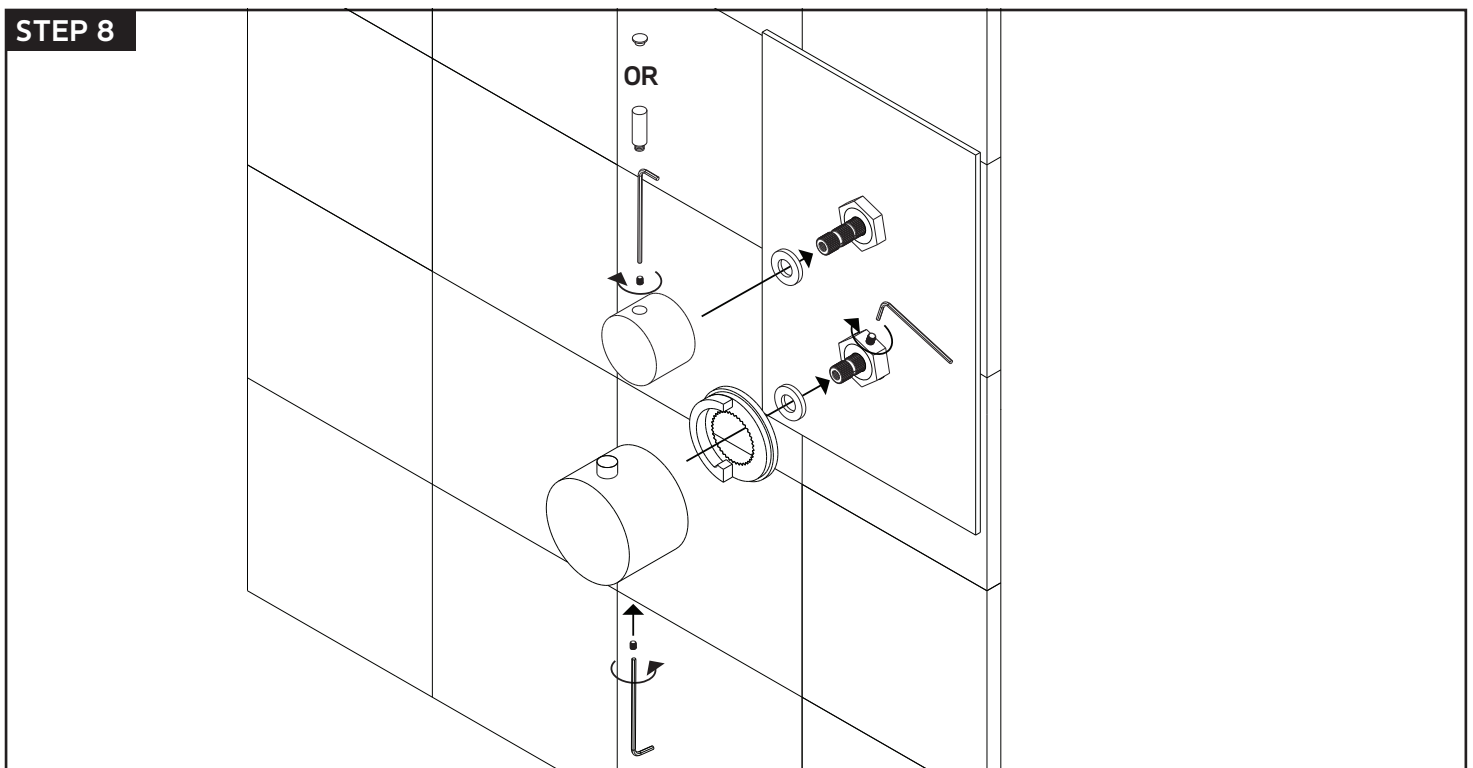
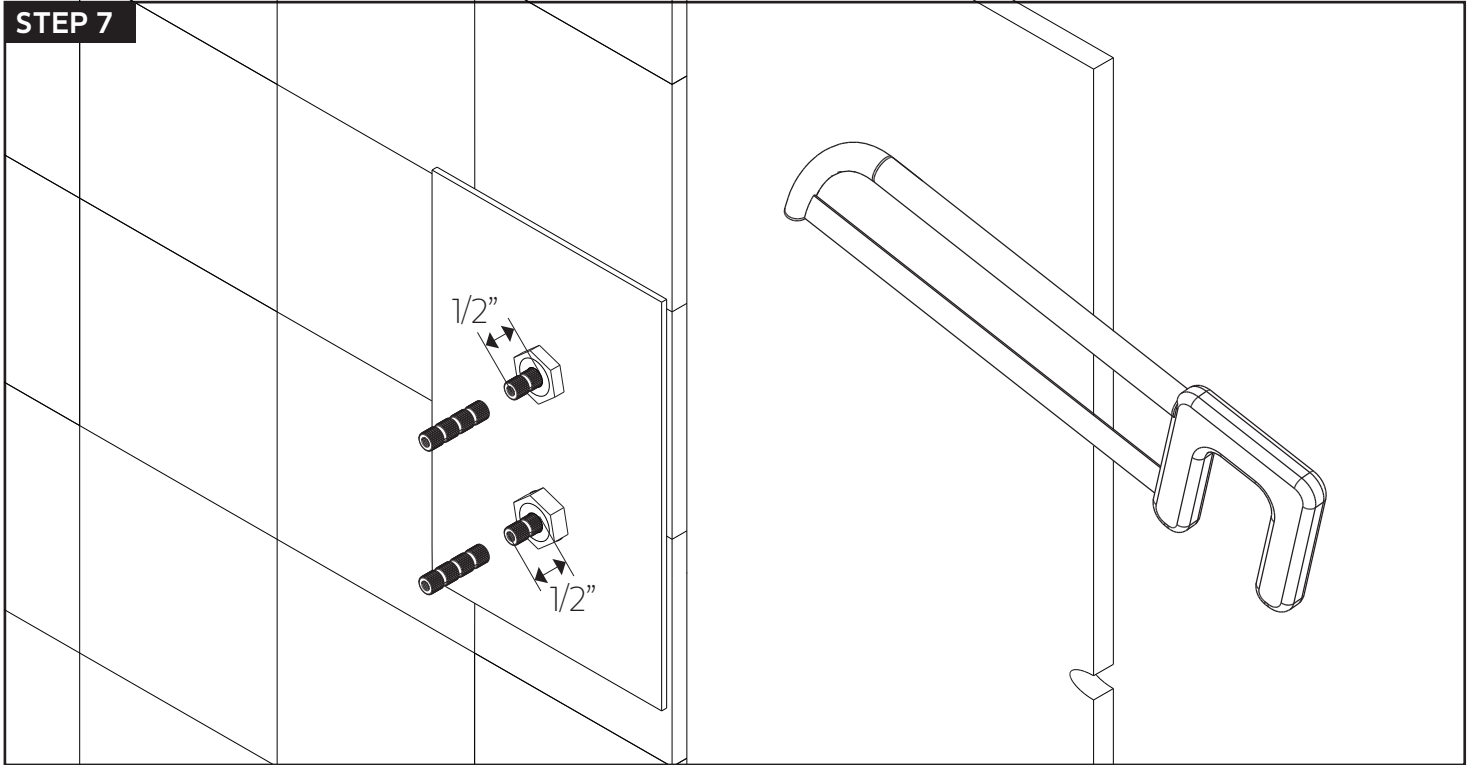
STEP 5



STEP 6

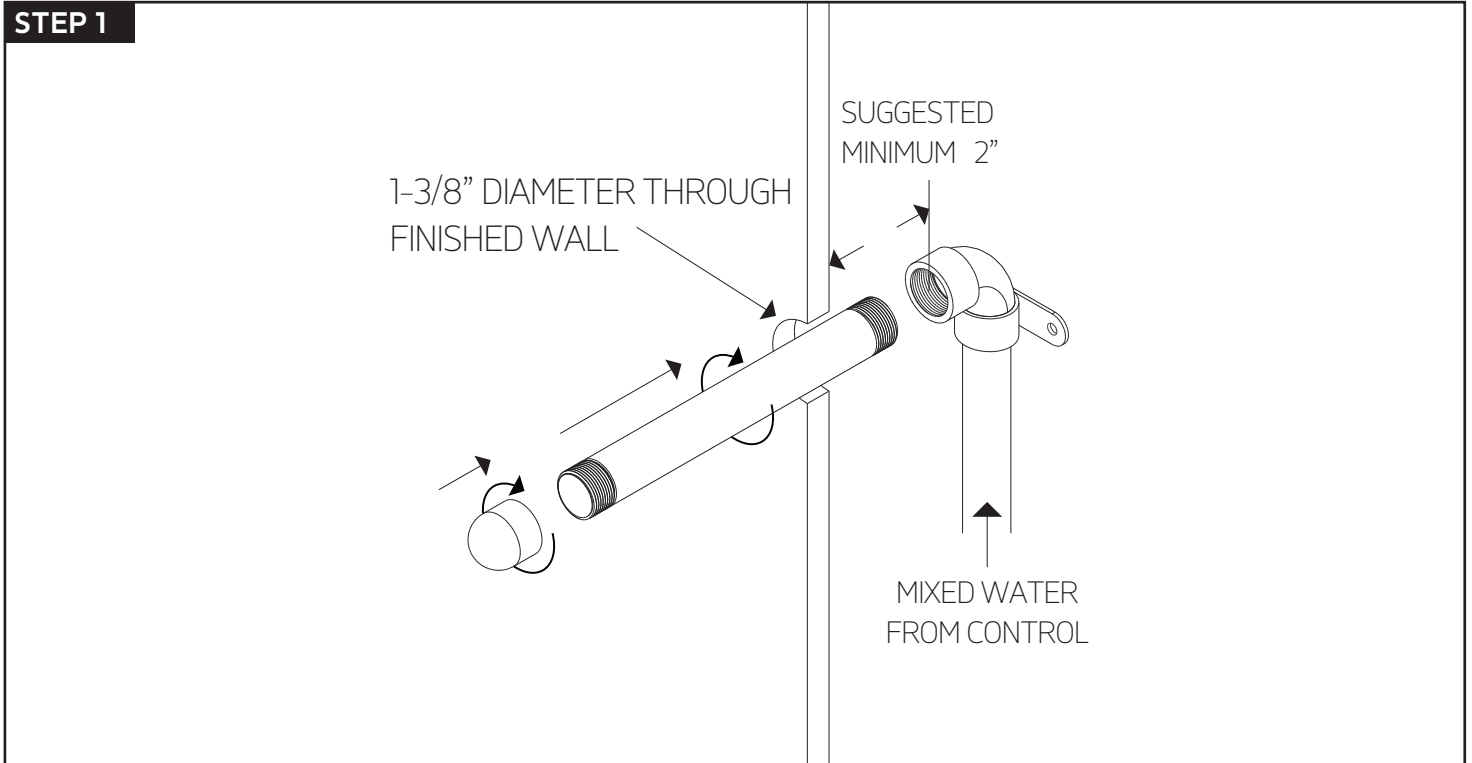


valve trim

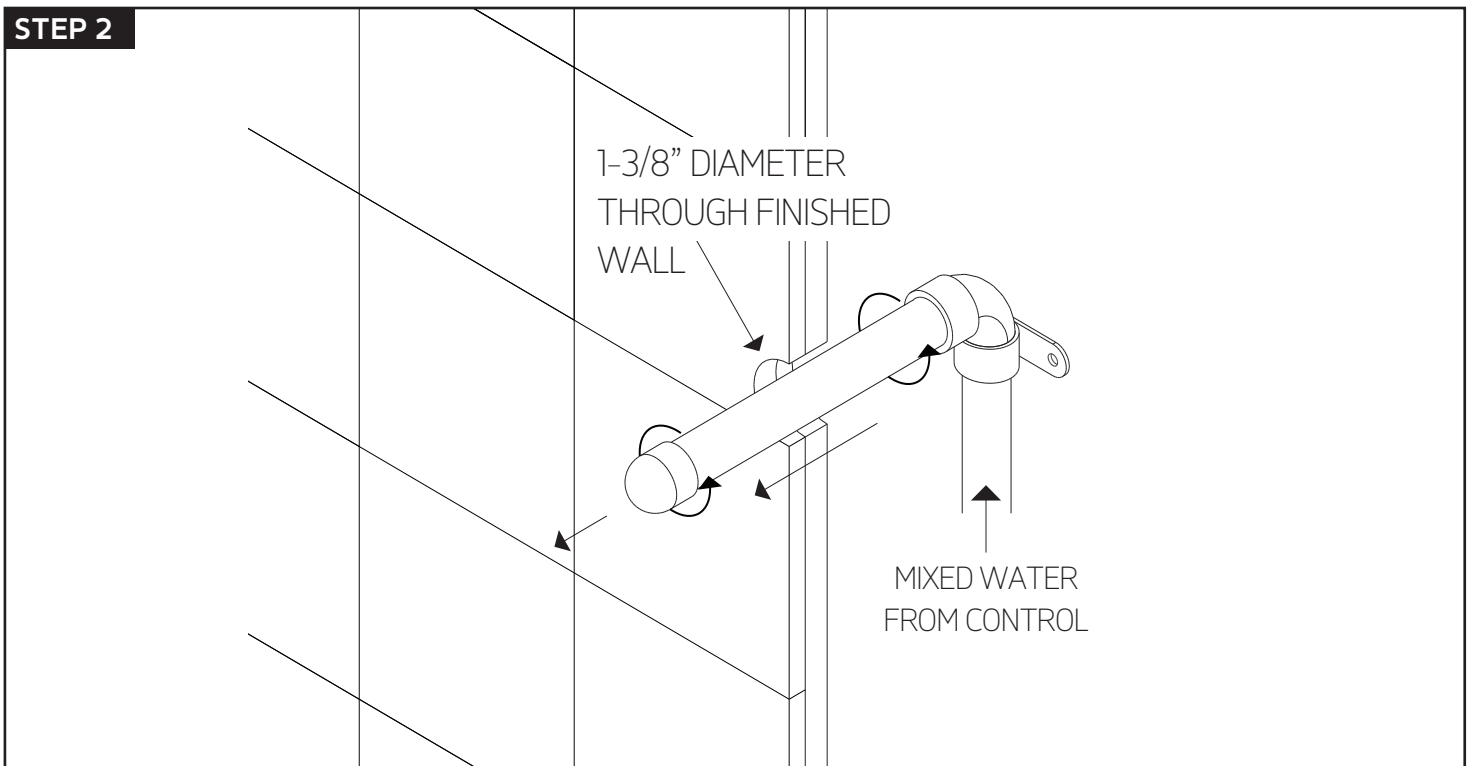


wall mount shower head

STEP 1

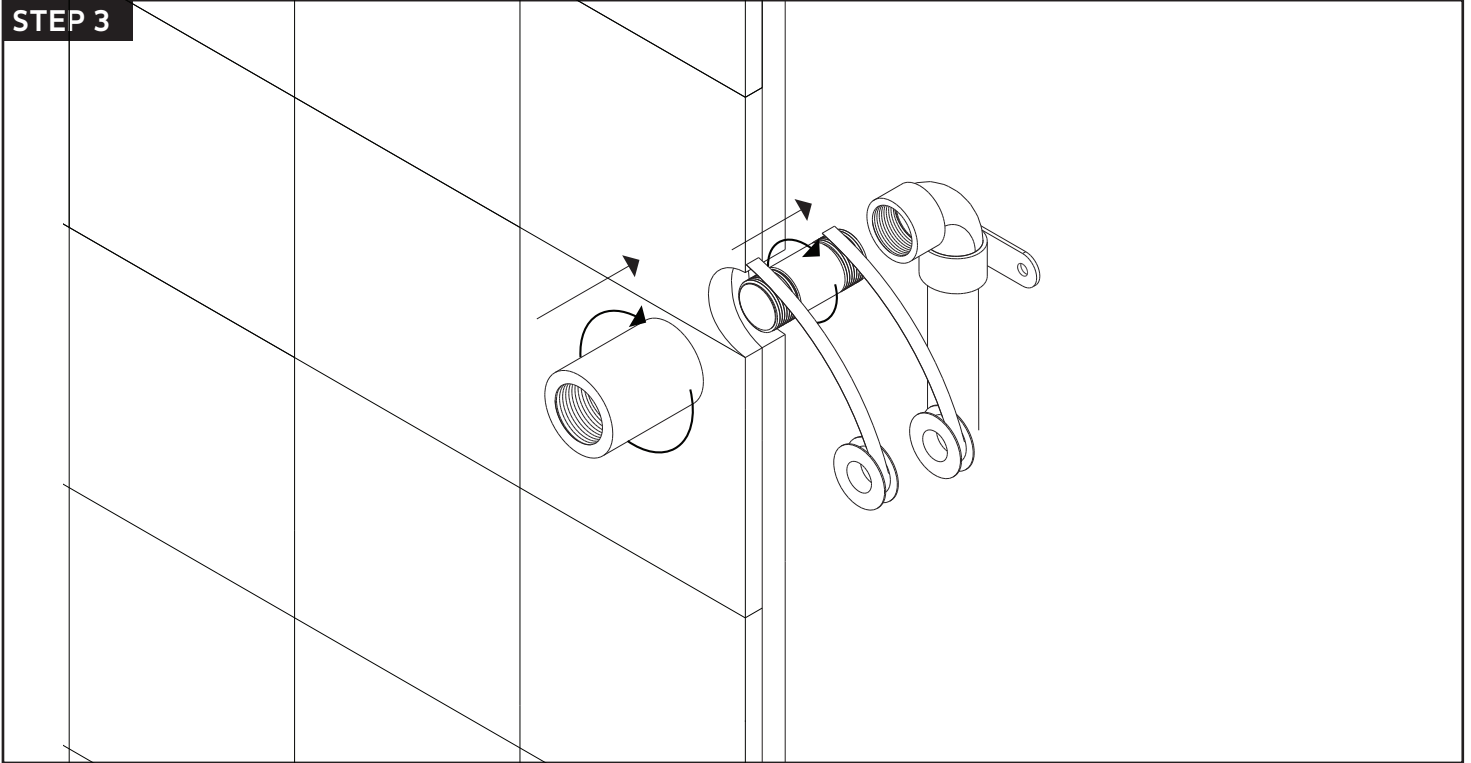


STEP 2

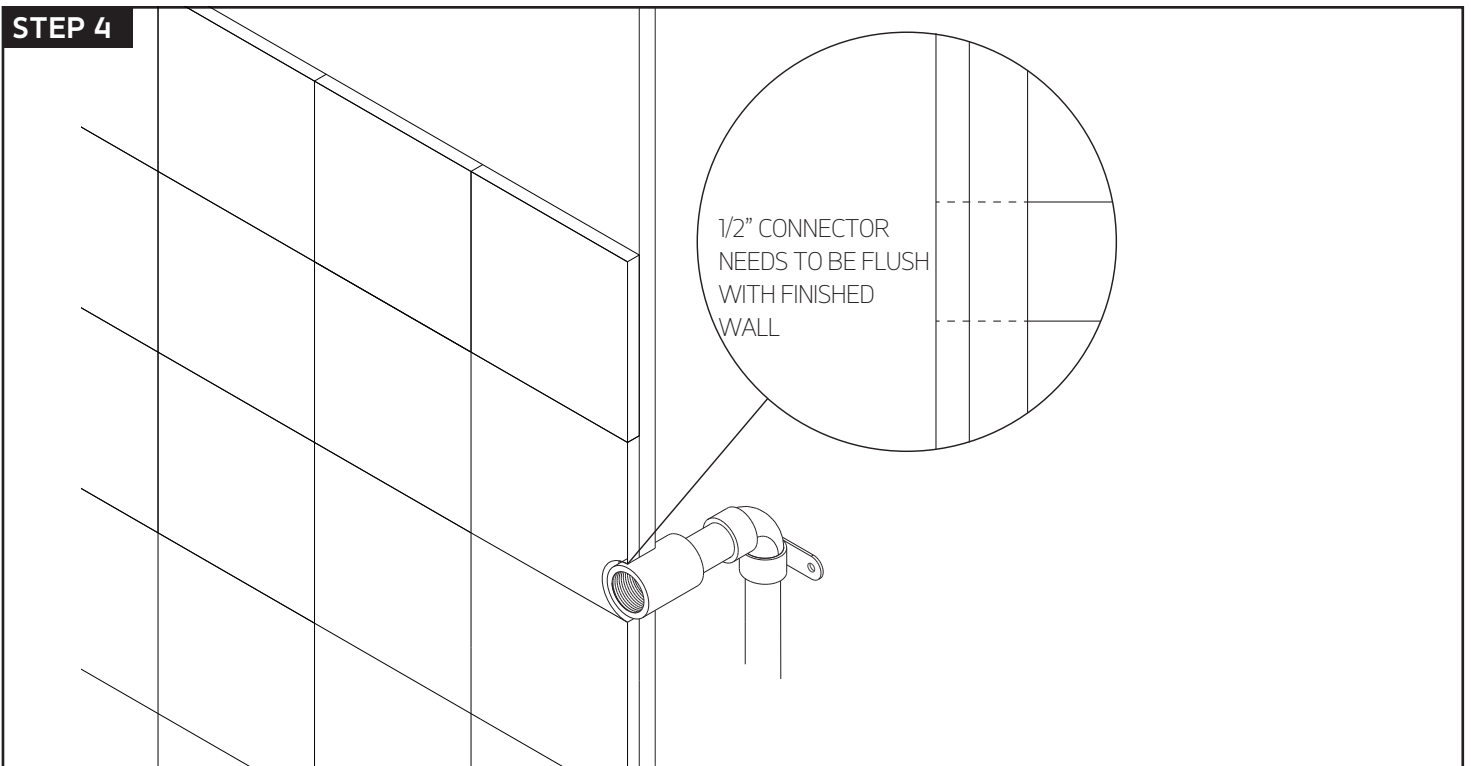


wall mount shower head

STEP 3

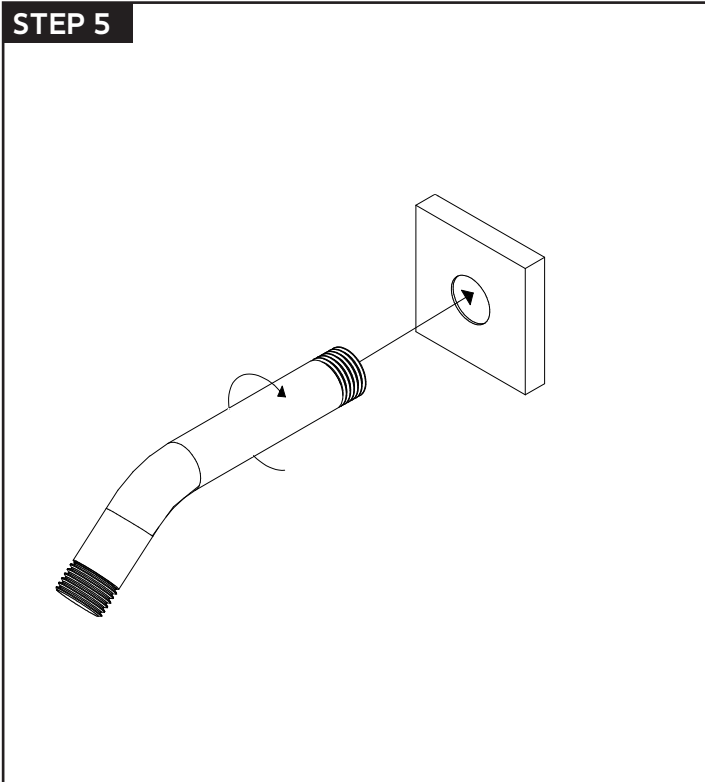


STEP 4

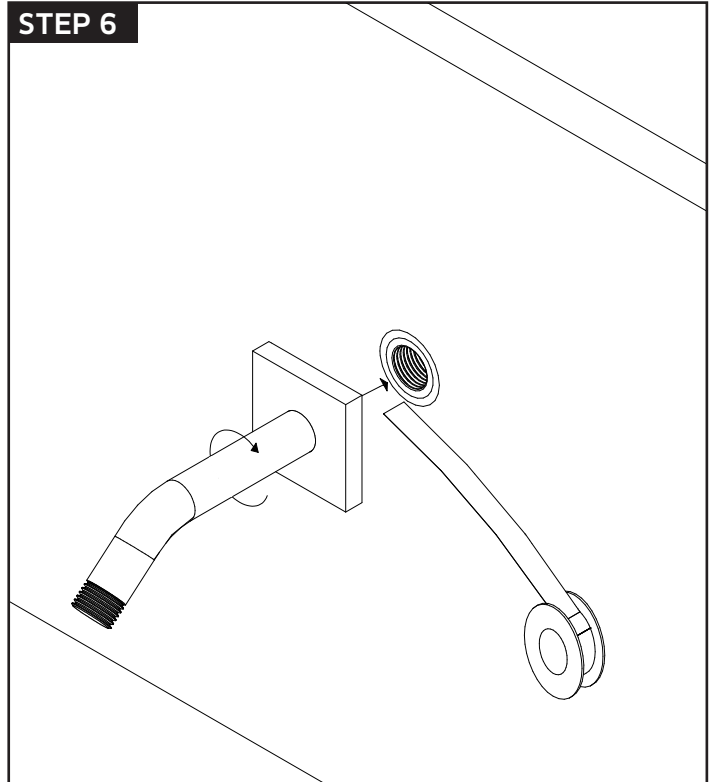


INSTALLATION STEPS

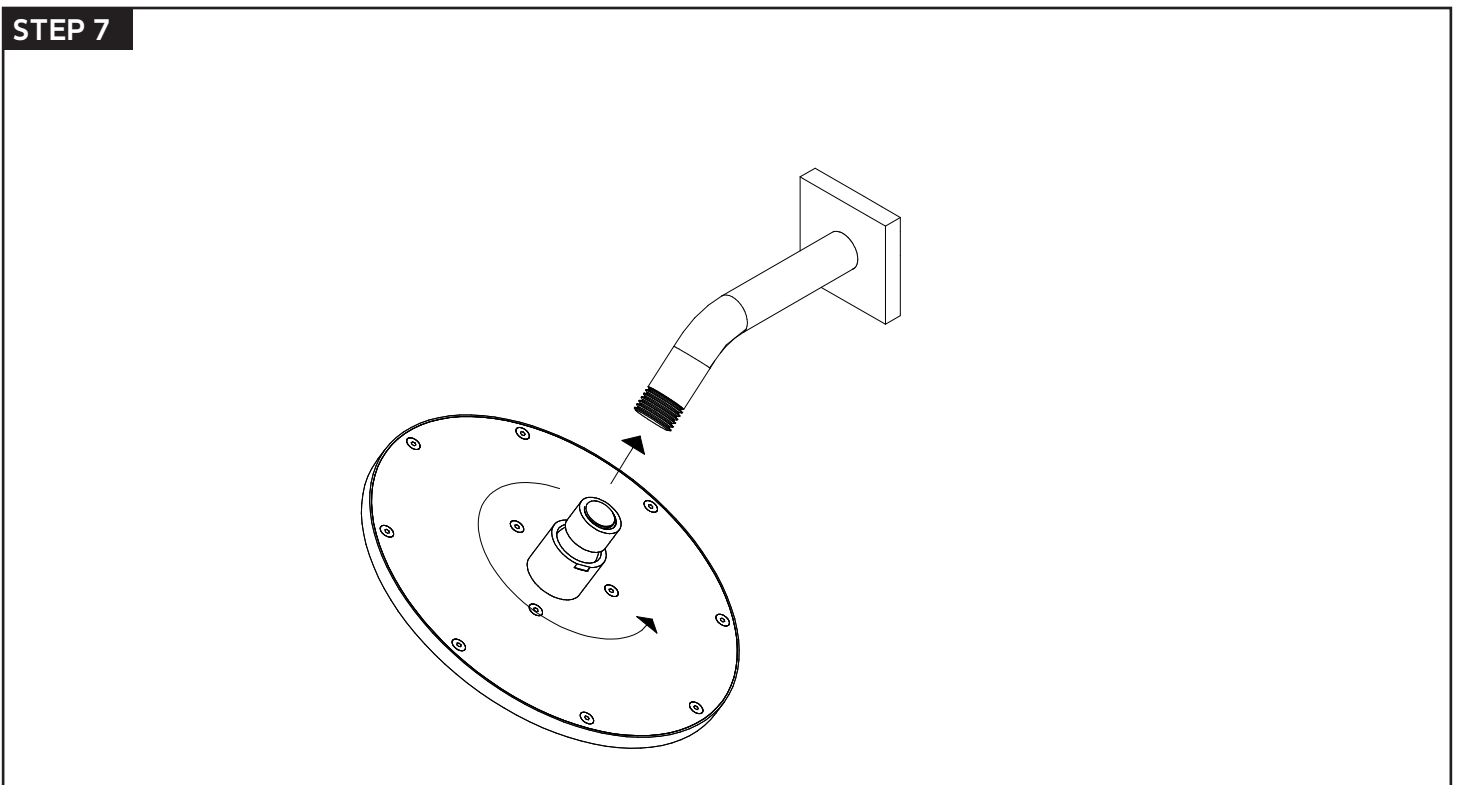
STEP 5



STEP 6

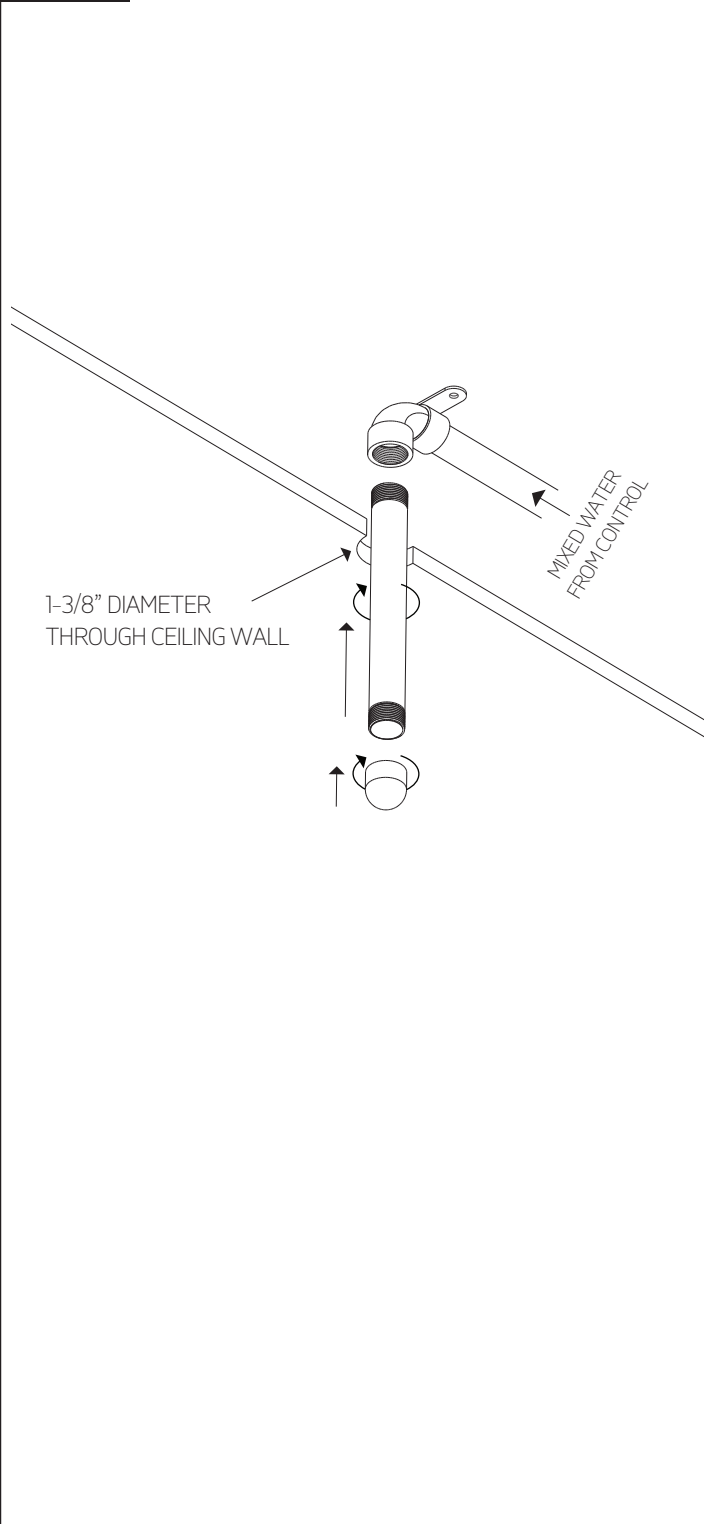


STEP 7

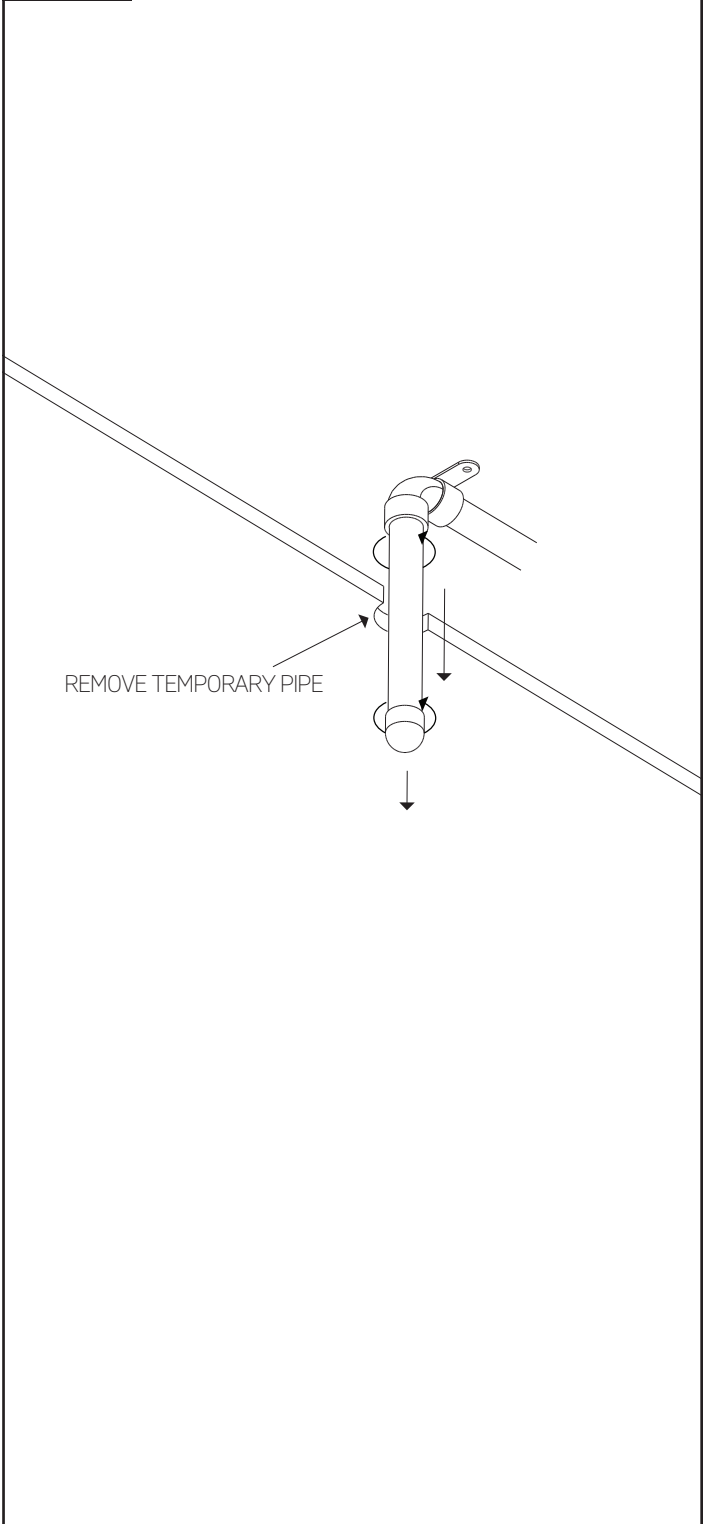


ceiling mount shower head

STEP 1

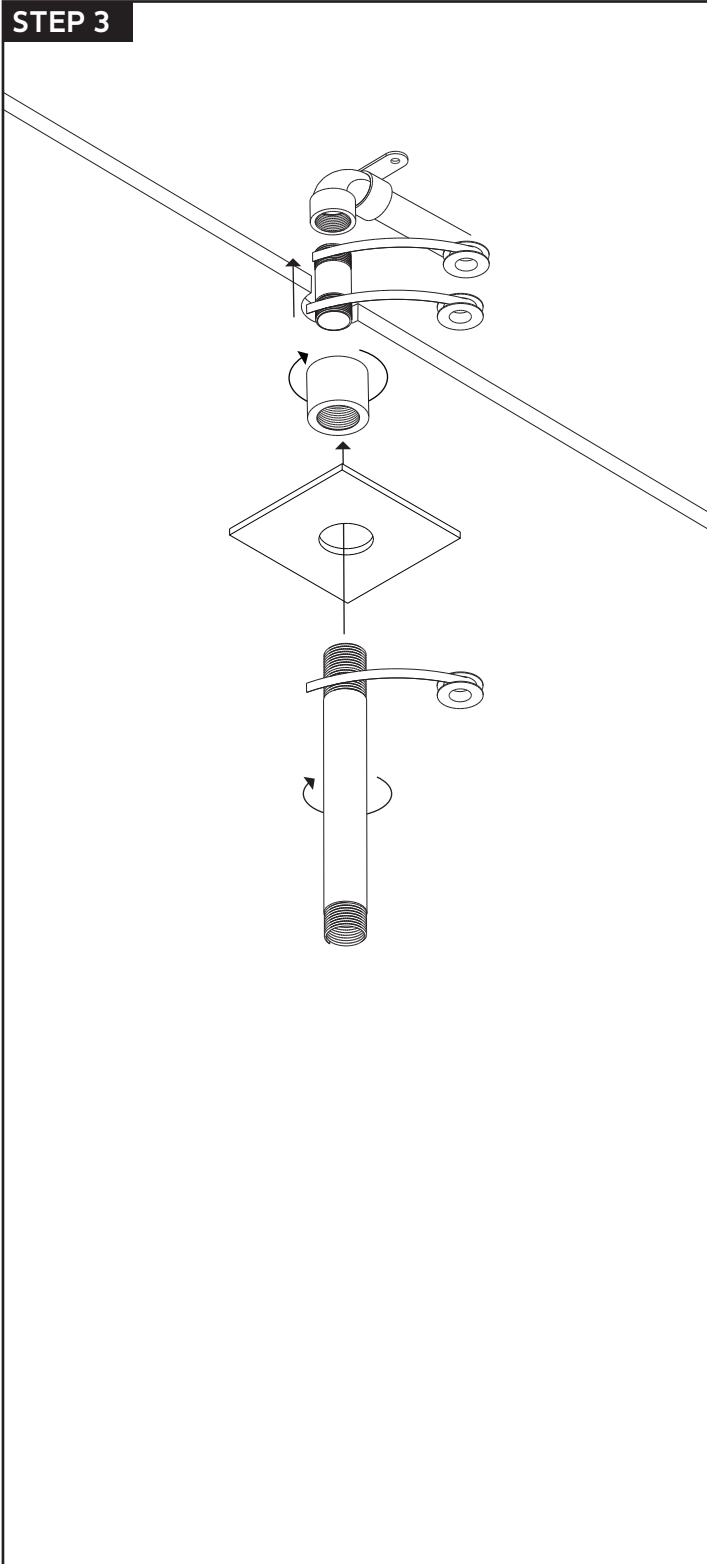


STEP 2

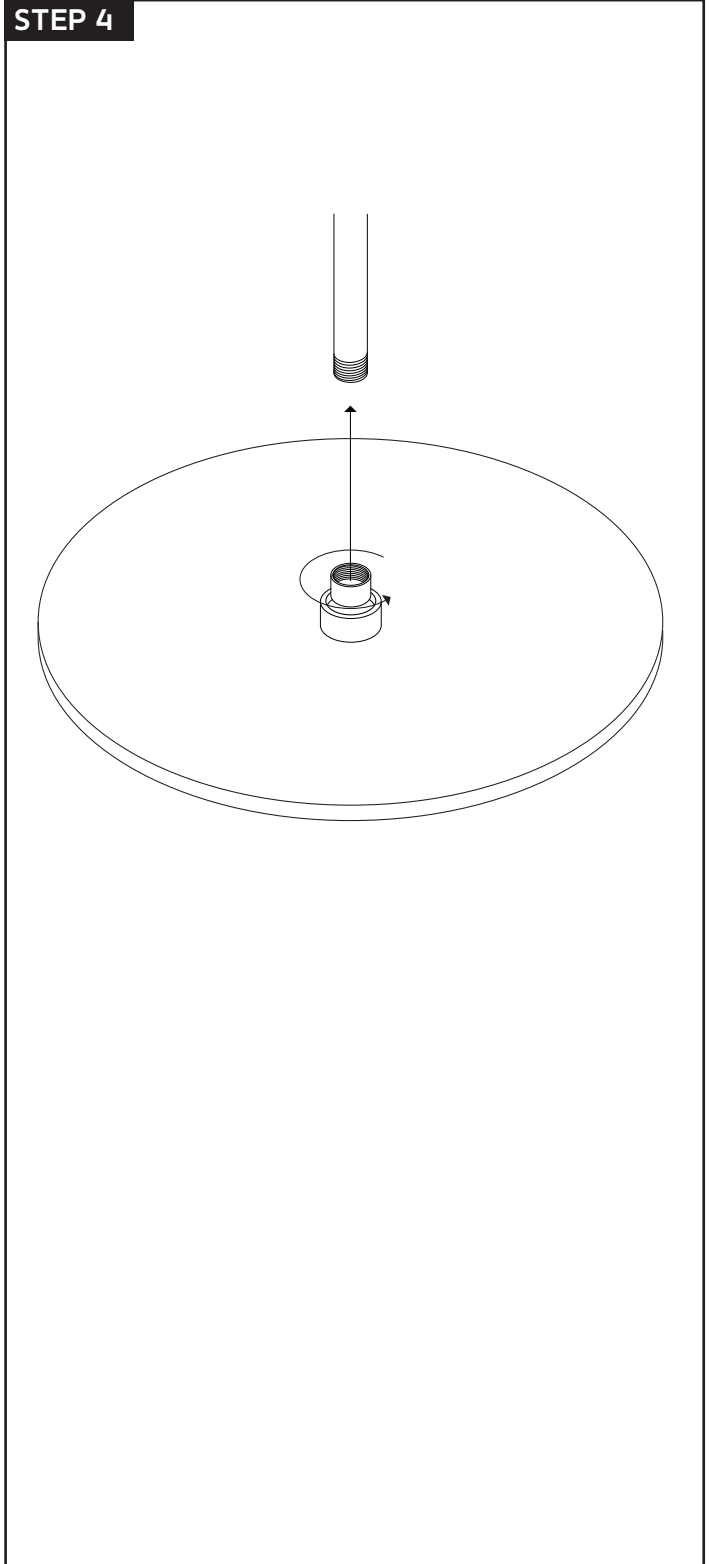


INSTALLATION STEPS

STEP 3



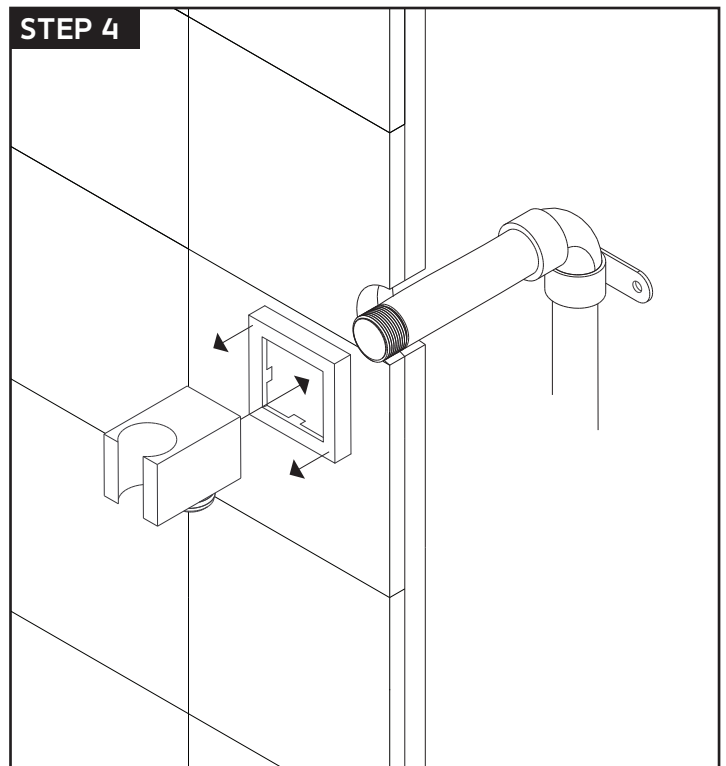
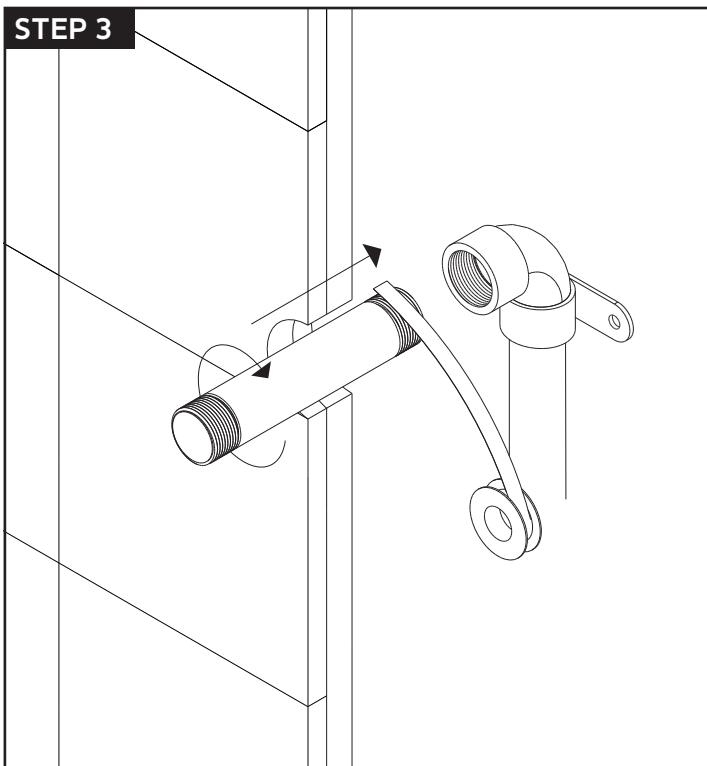
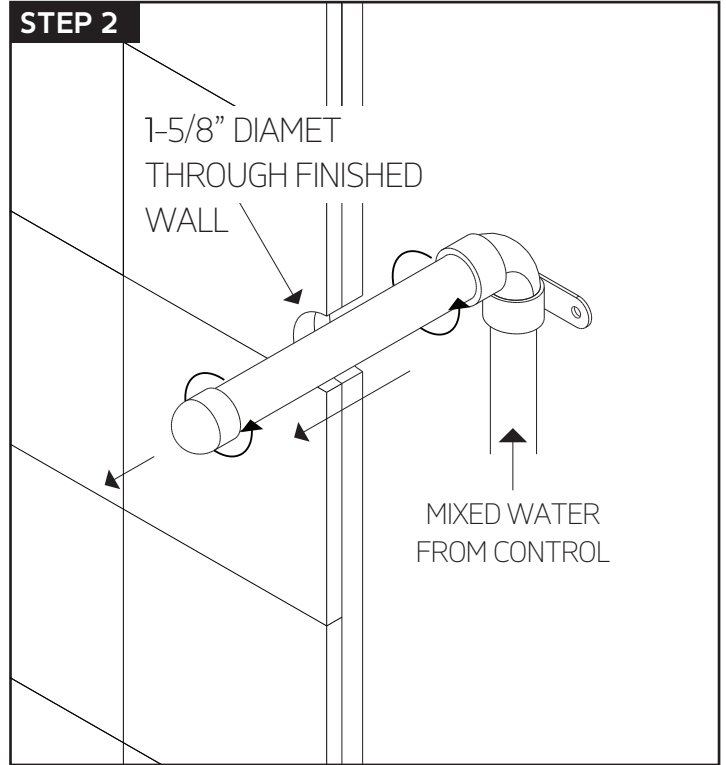
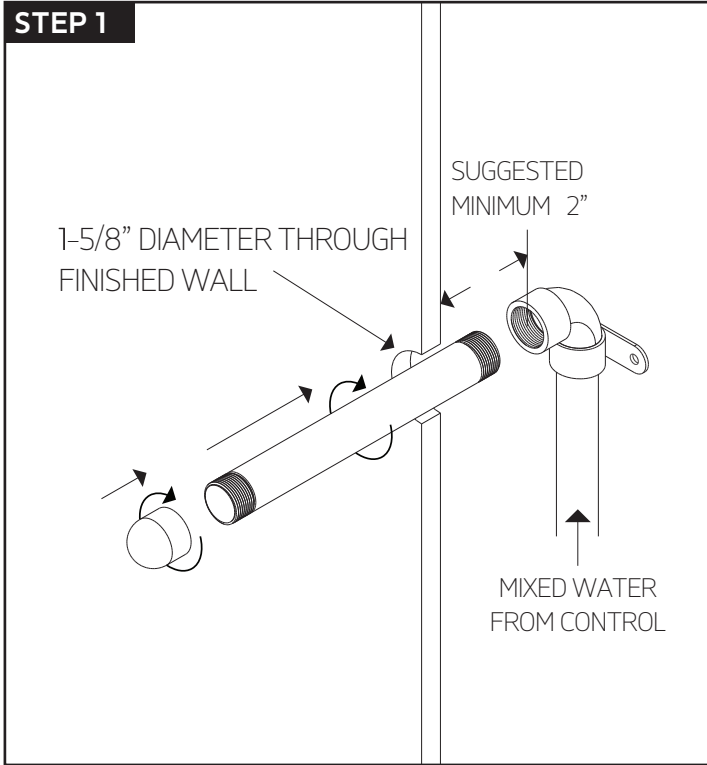
STEP 4



artos[®]

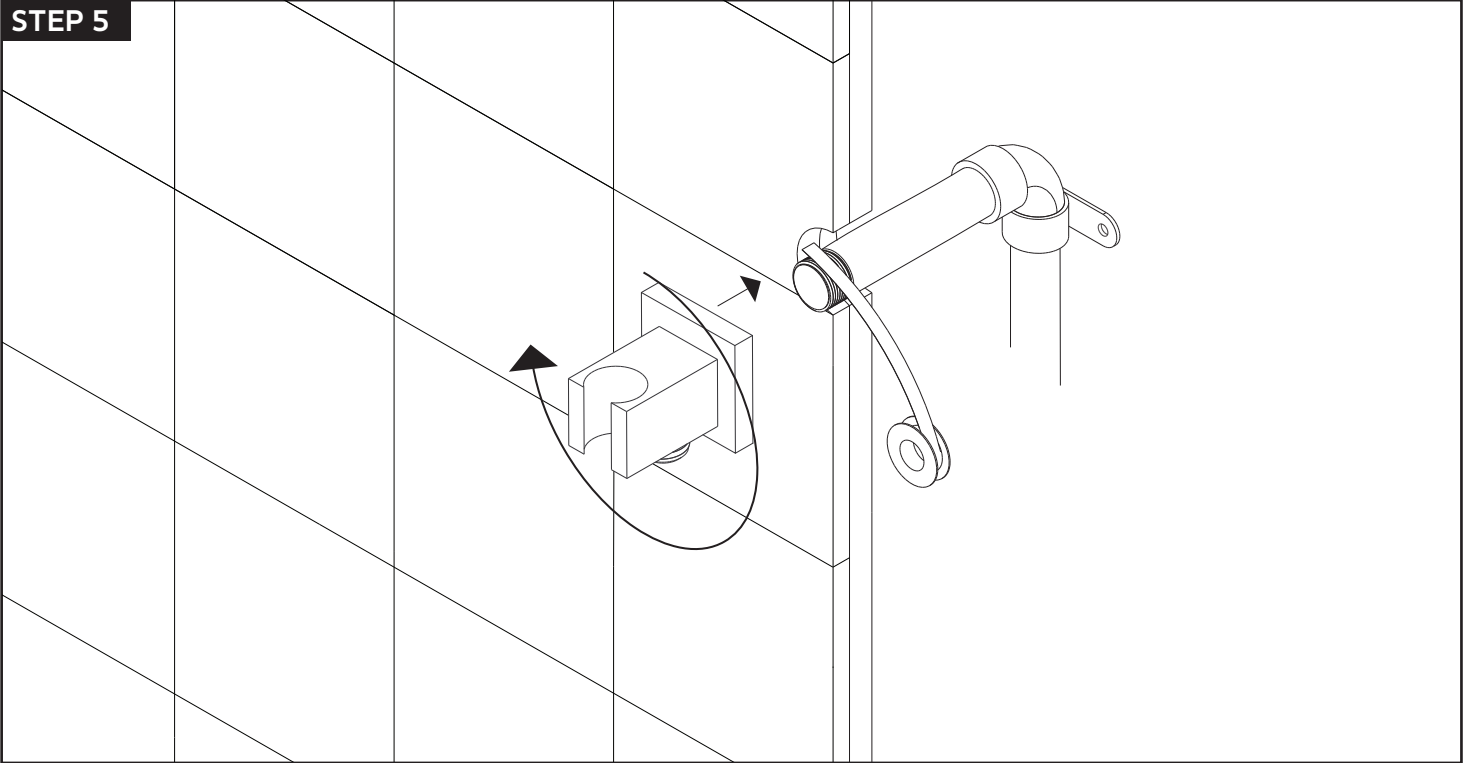
PS109

hand shower

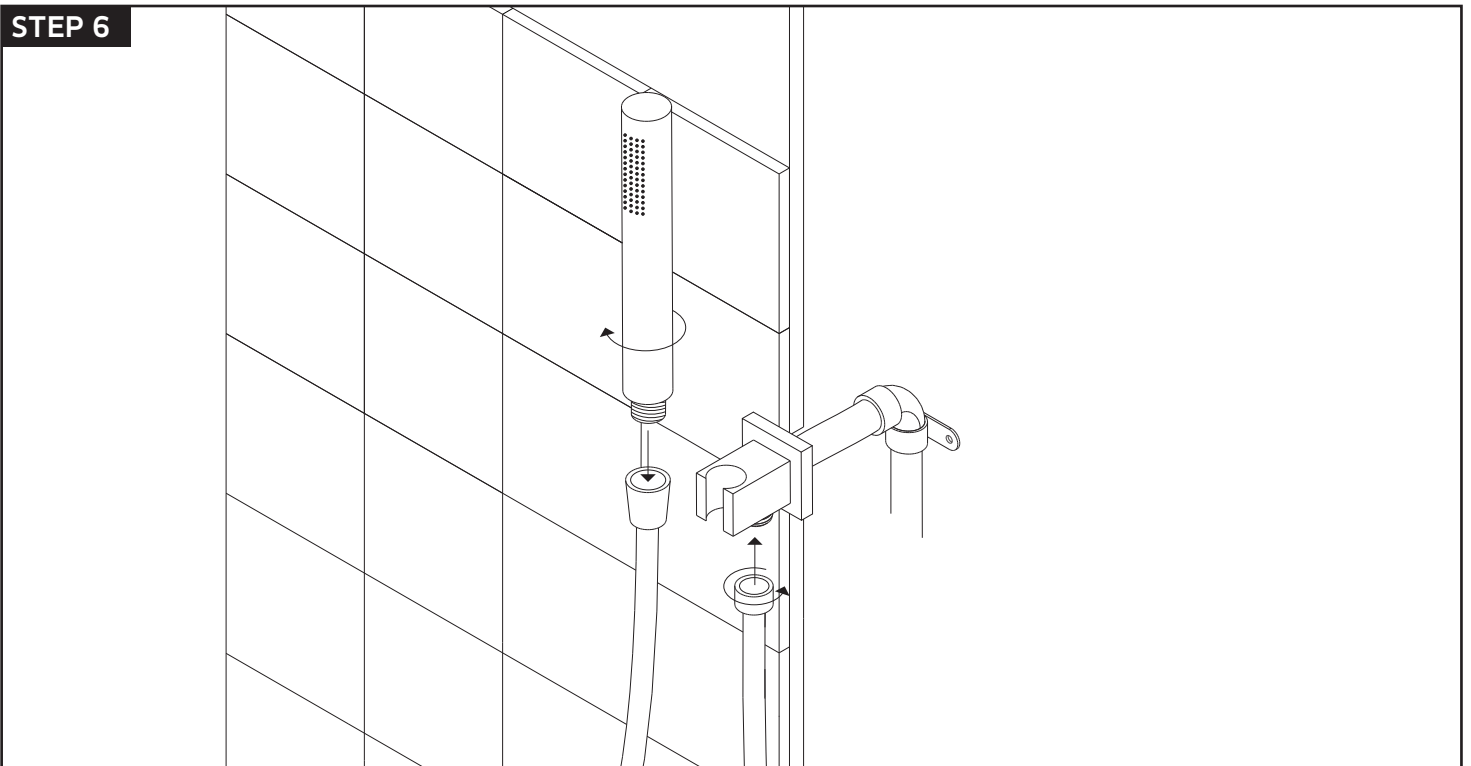


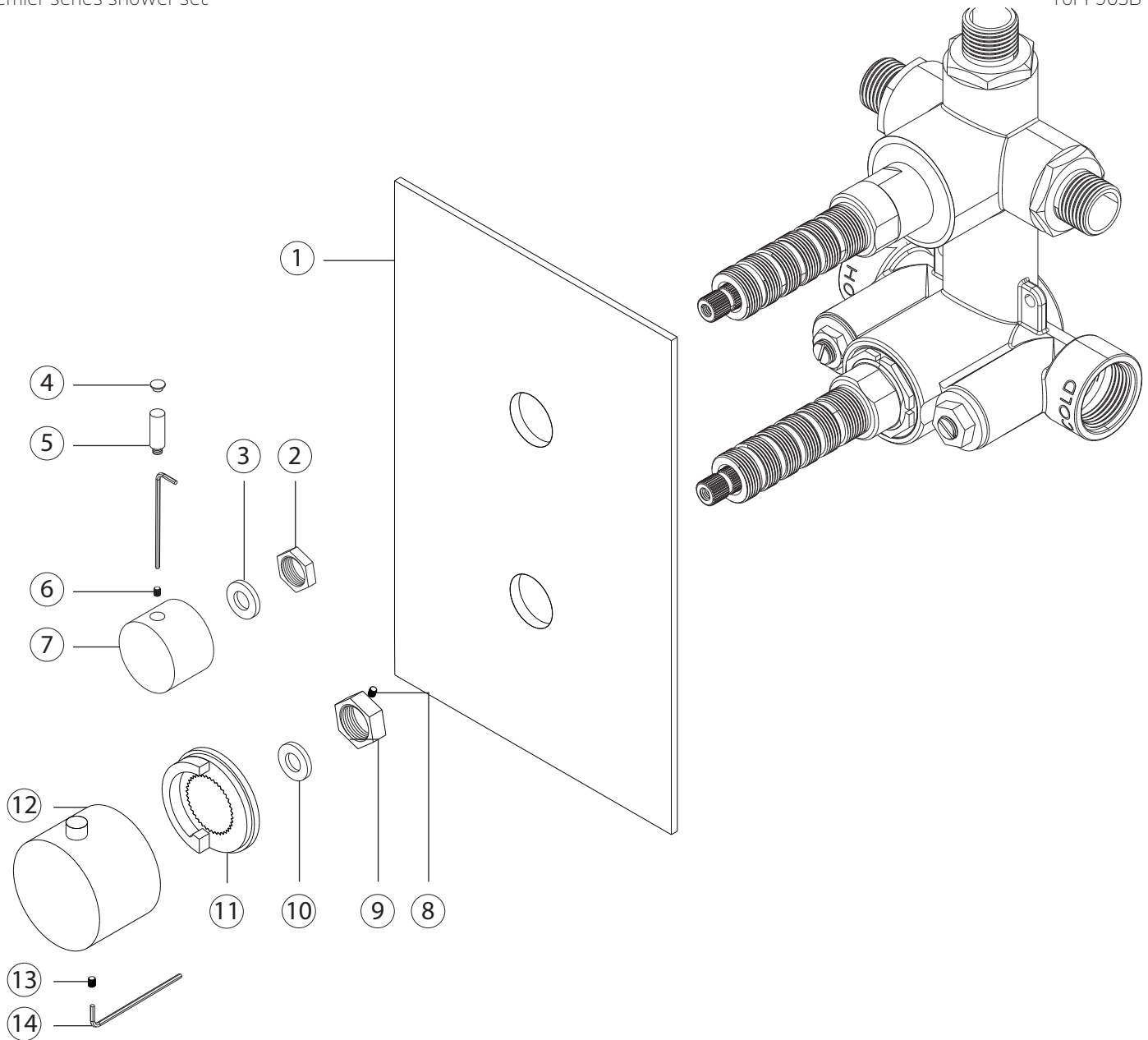
INSTALLATION STEPS

STEP 5



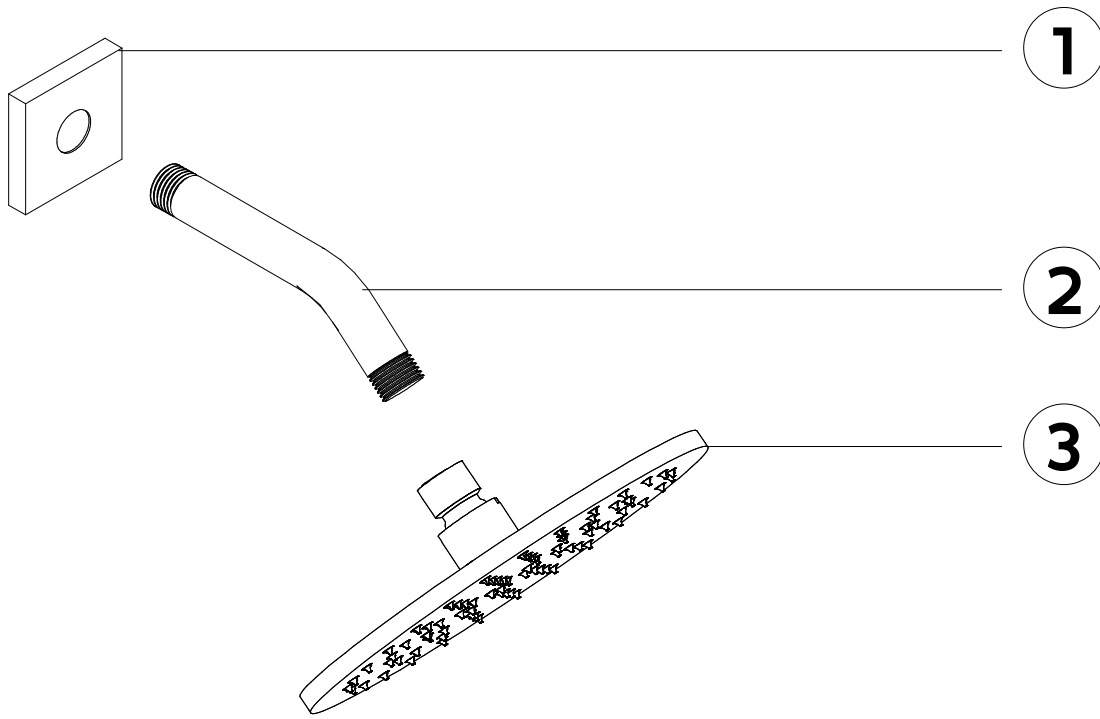
STEP 6



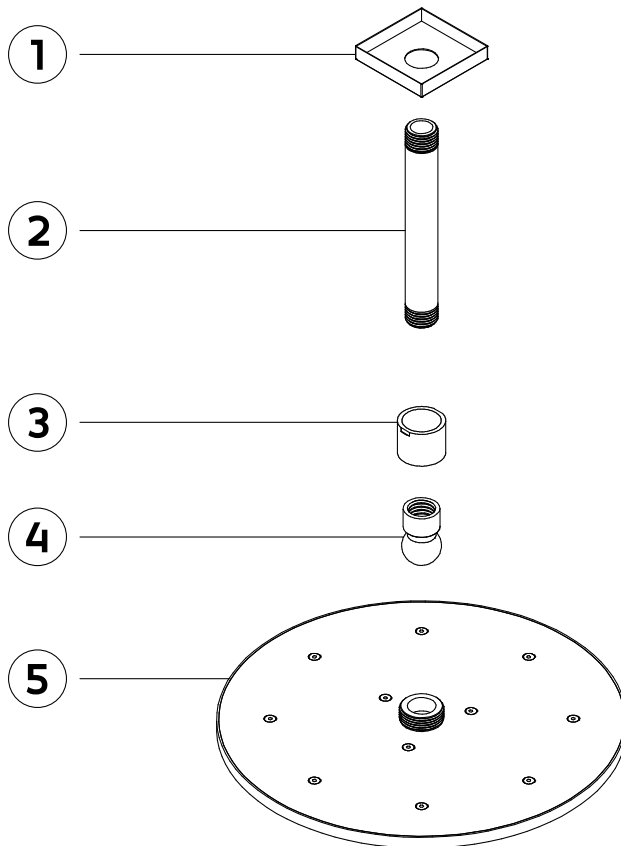


- ① ESCUTCHEON: F903A-9P
- ② DIVERTER LOCKING NUT
- ③ NYLON WASHER
- ④ HANDLE HOLE CAP
- ⑤ DIVERTER HANDLE LEVER
- ⑥ DIVERTER SET SCREW
- ⑦ DIVERTER HANDLE: F903A-12H

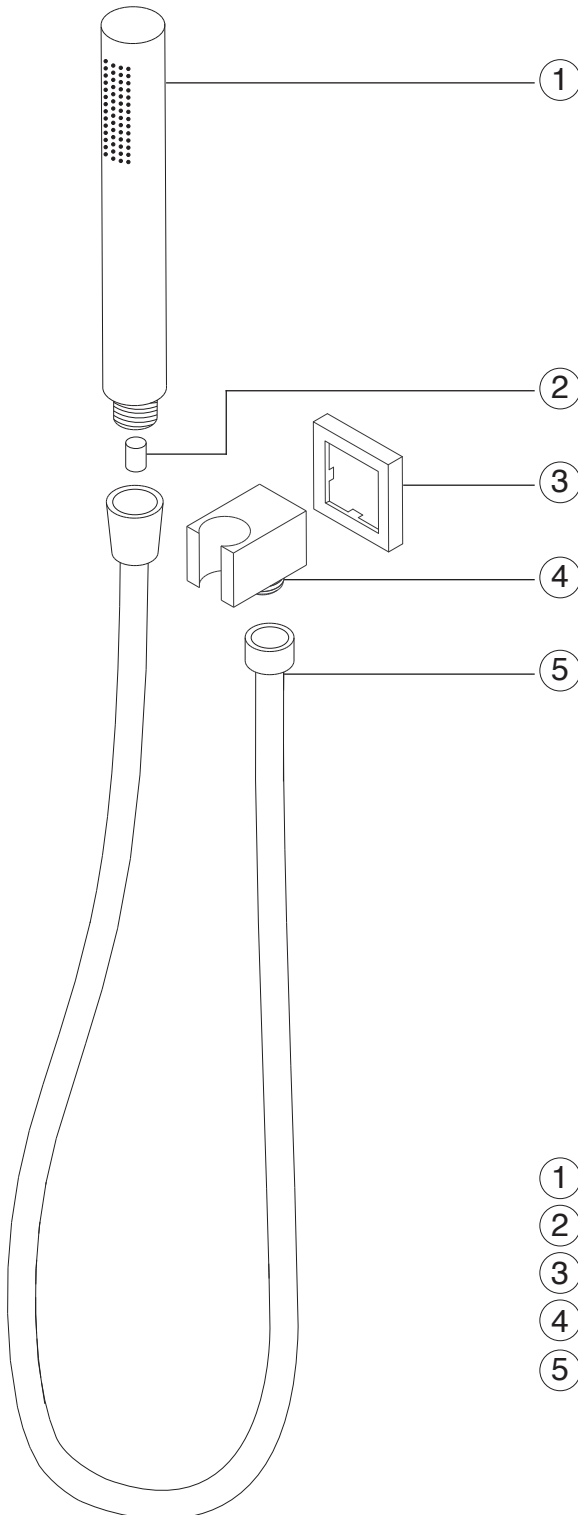
- ⑧ LOCKING NUT SET SCREW
- ⑨ THERMOSTAT LOCKING NUT
- ⑩ NYLON WASHER
- ⑪ TEMPERATURE LIMITING RING
- ⑫ THERMOSTAT HANDLE: F904A-1H
- ⑬ THERMOSTAT SET SCREW
- ⑭ ALLEN WRENCH



- ① **SHOWER ARM ESCUTCHEON:** F915-1
- ② **SHOWER ARM:** F902-11
- ③ **SHOWER HEAD:** F901-18



- ① **SHOWER ARM ESCUTCHEON:** F915-1
- ② **SHOWER ARM:** F902-3
- ③ **SHOWER HEAD:** F901-8



- ① **HAND SHOWER:** F901-3
- ② **HAND SHOWER CHECK VALVE**
- ③ **ESCUTCHEON PLATE**
- ④ **SHOWER OUTLET ELBOW AND HOLDER:** FSC1002
- ⑤ **SHOWER HOSE:** F902-8