

artos[®]

PS107

INSTALLATION GUIDE

premier series shower set

BRUSHED NICKEL(PS139BN)



CHROME(PS139CH)



BLACK(BK)



artos[®]

PS107

premier series shower set

OPERATING SPECIFICATIONS



FEATURES

Solid Brass

3-Outlets

INCLUDES

F903B-59TK

F703-2/5AR

F907-75

OPERATING PRESSURE

Minimum: 15 psi

Maximum: 75 psi

Above 90psi it may be necessary to install a pressure reducer

OPERATING TEMPERATURE

Maximum: 176°

FLOW CAPACITY

Hand Shower: 1.8 USGPM

Shower Heads: 1.8 USGPM

F901-8 APPROVAL



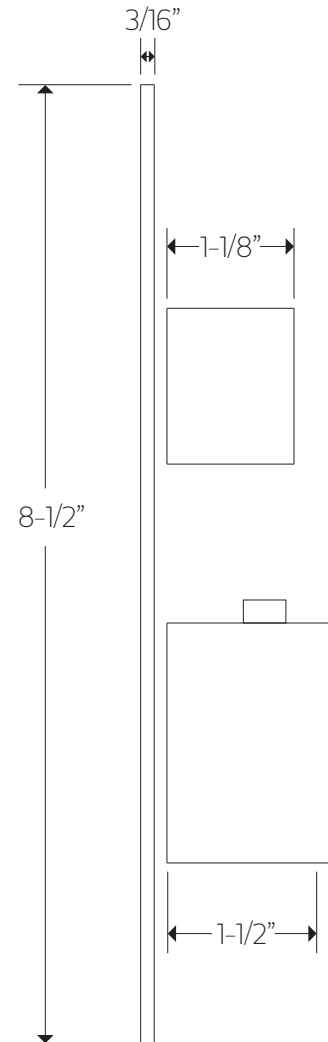
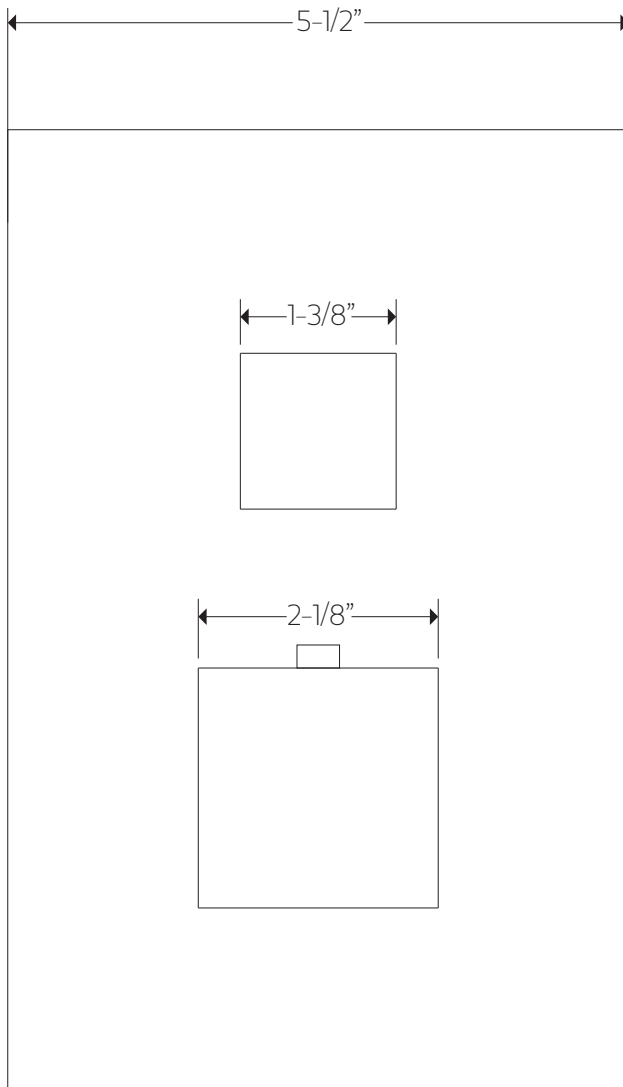
artos[®]

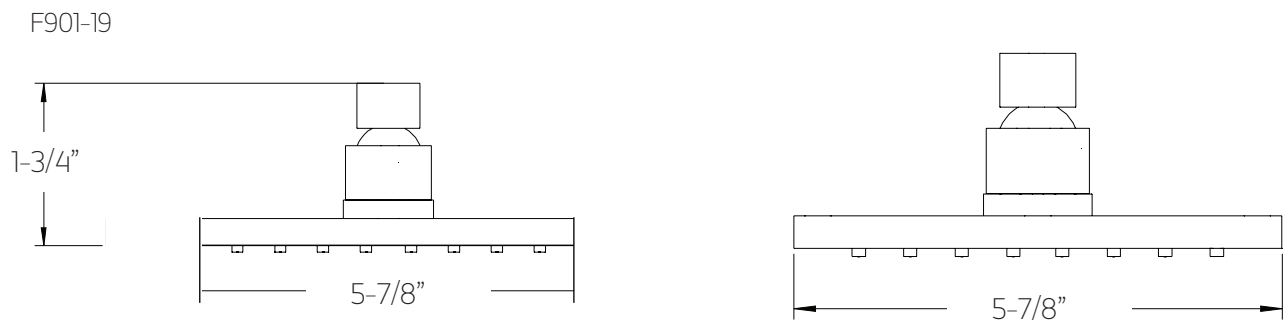
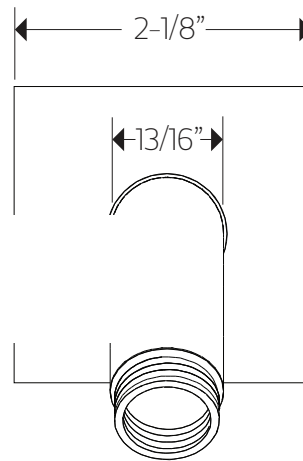
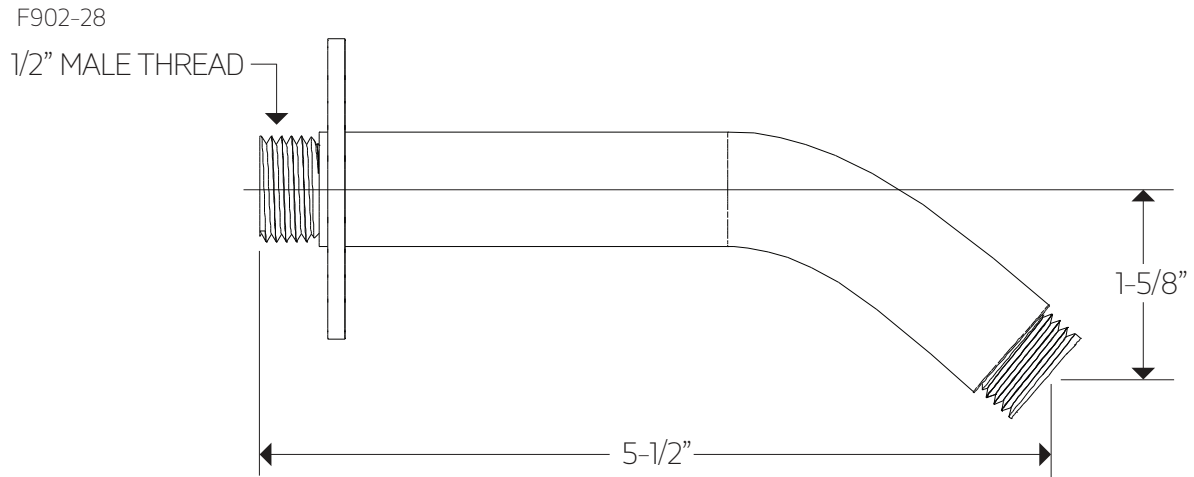
PS107

PRODUCT DIMENSIONS

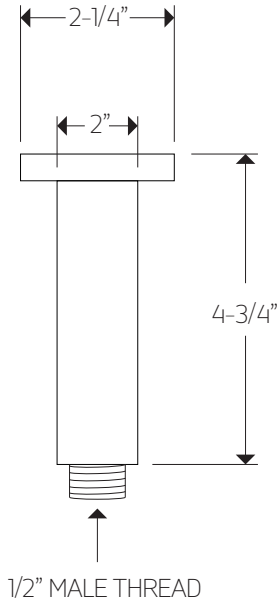
premier series shower set

for trim kit

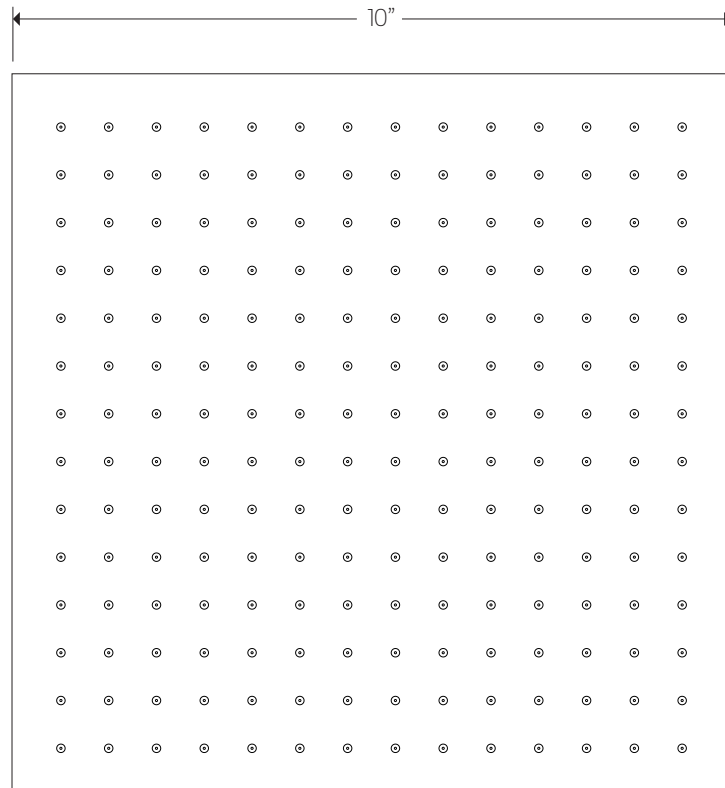
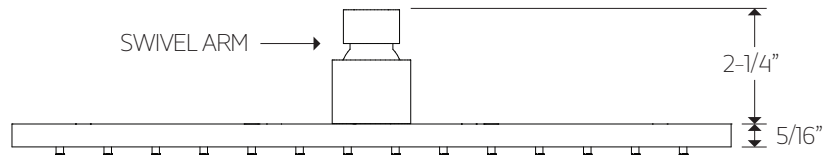




F703-2/5AR



F901-19



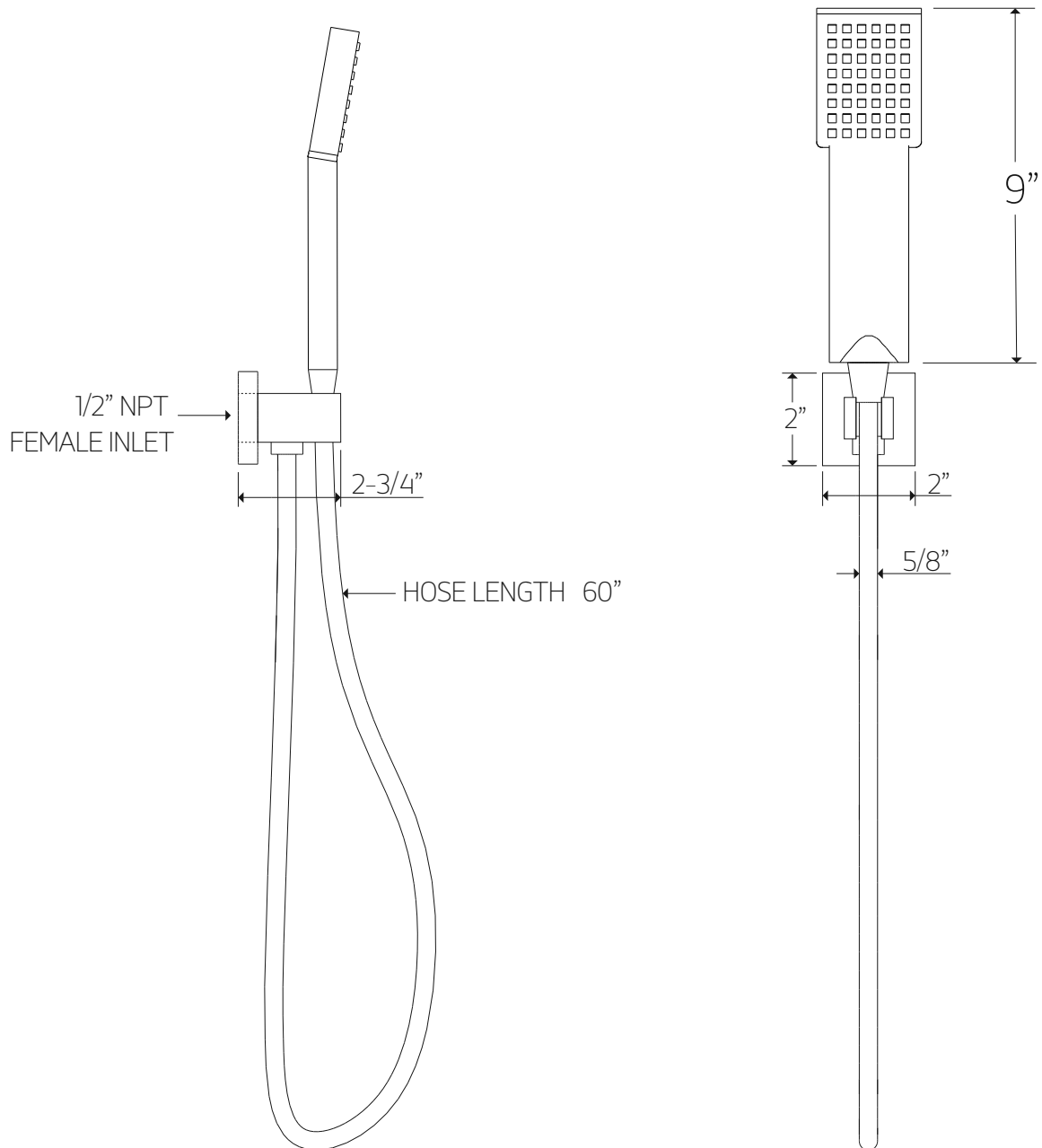
artos[®]

PS107

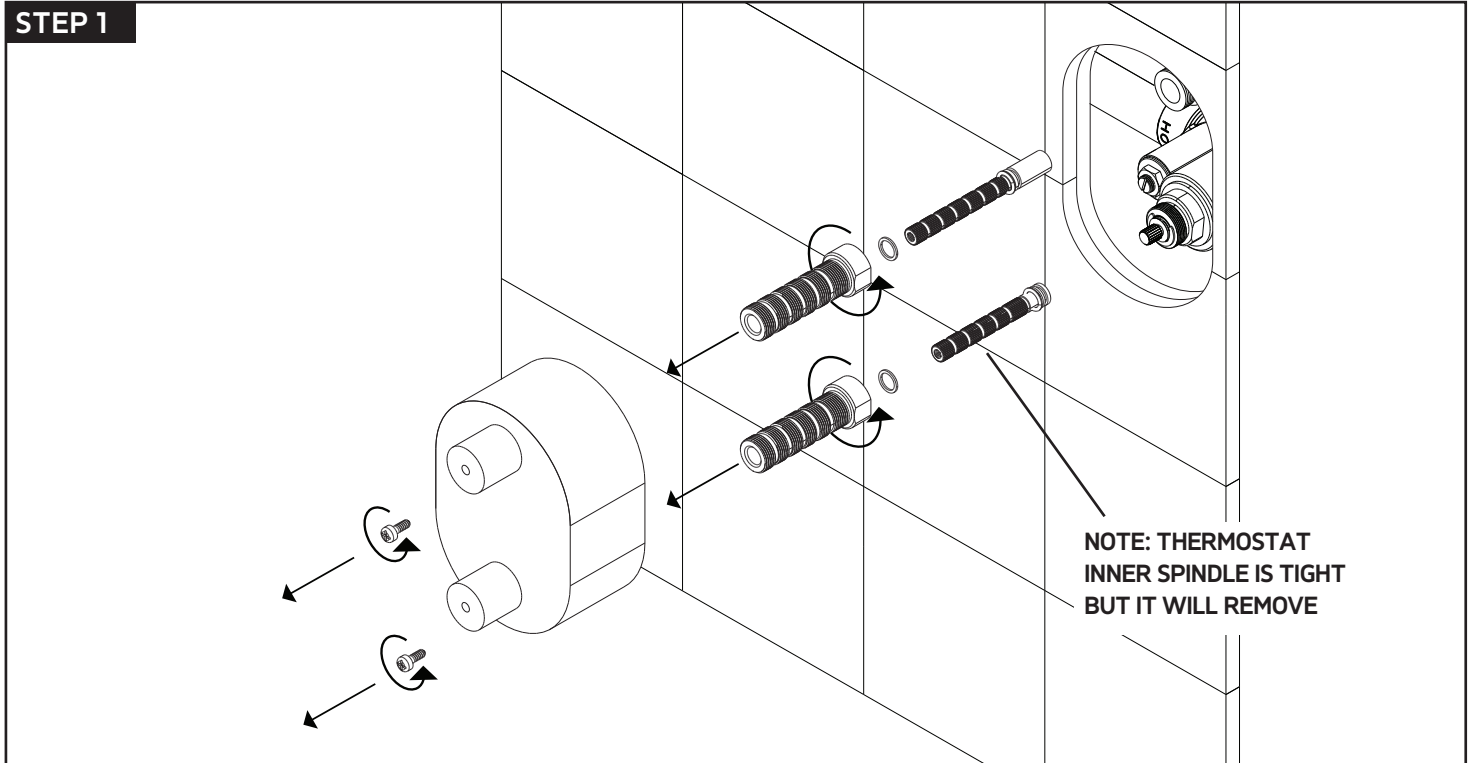
premier series shower set

PRODUCT DIMENSIONS

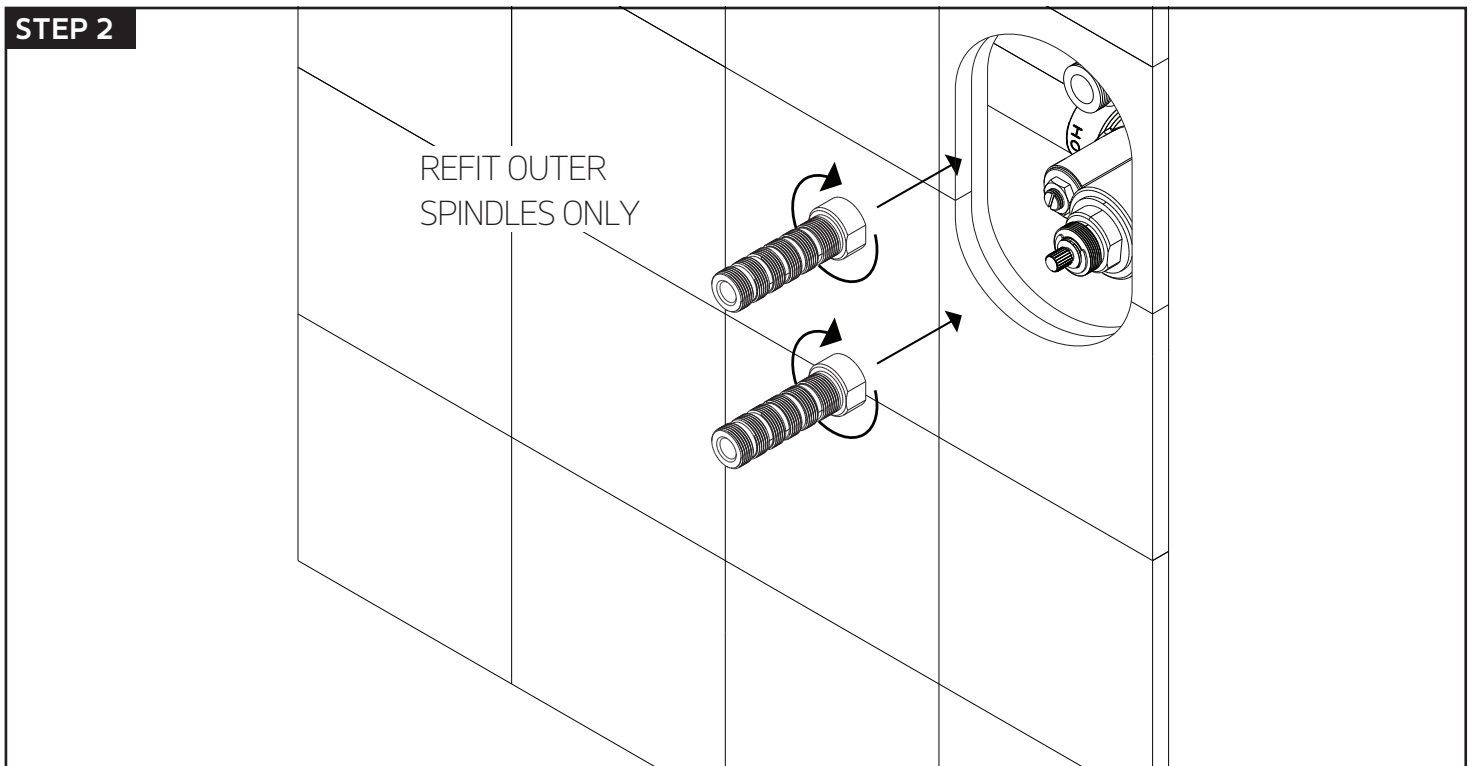
for hand shower



STEP 1



STEP 2

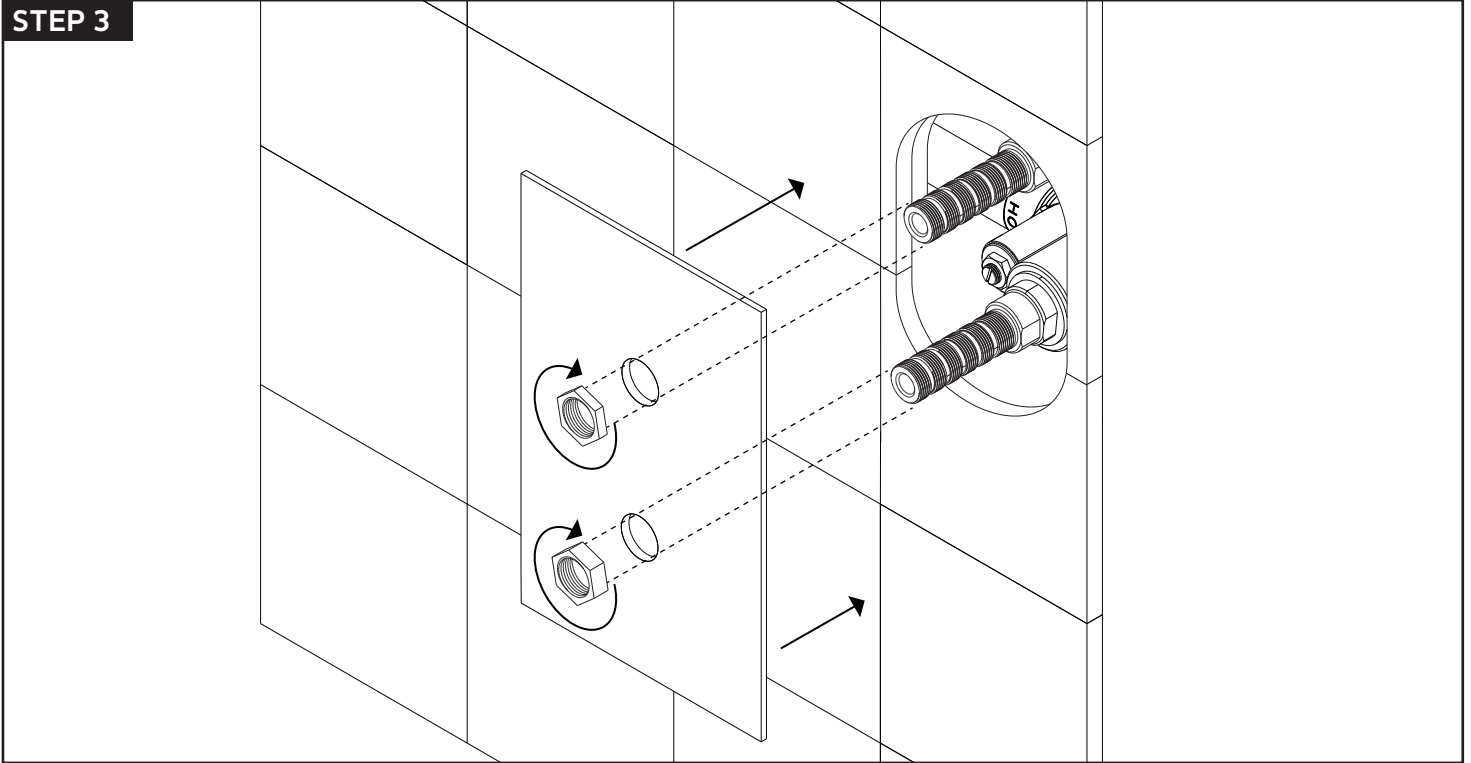


artos[®]

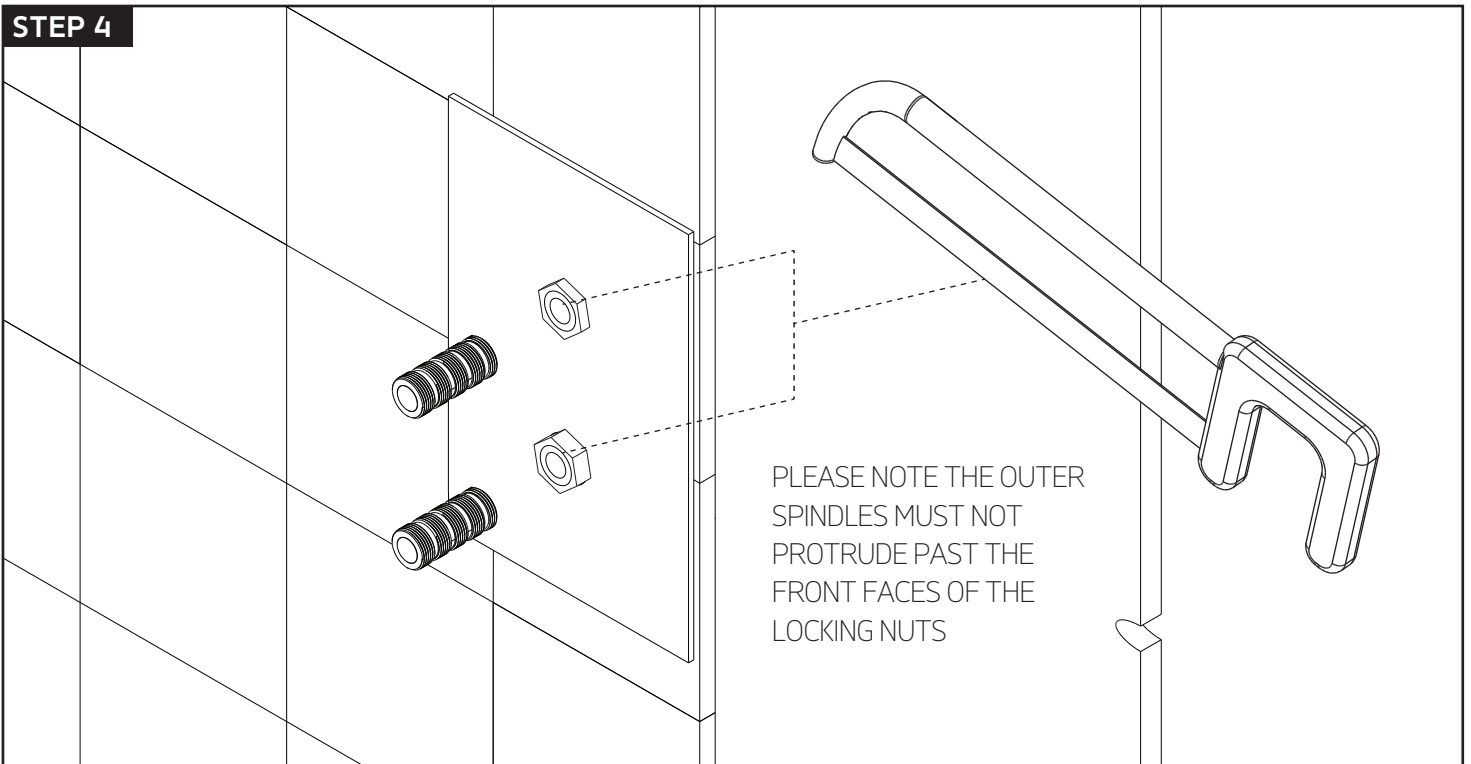
PS107

valve trim

STEP 3

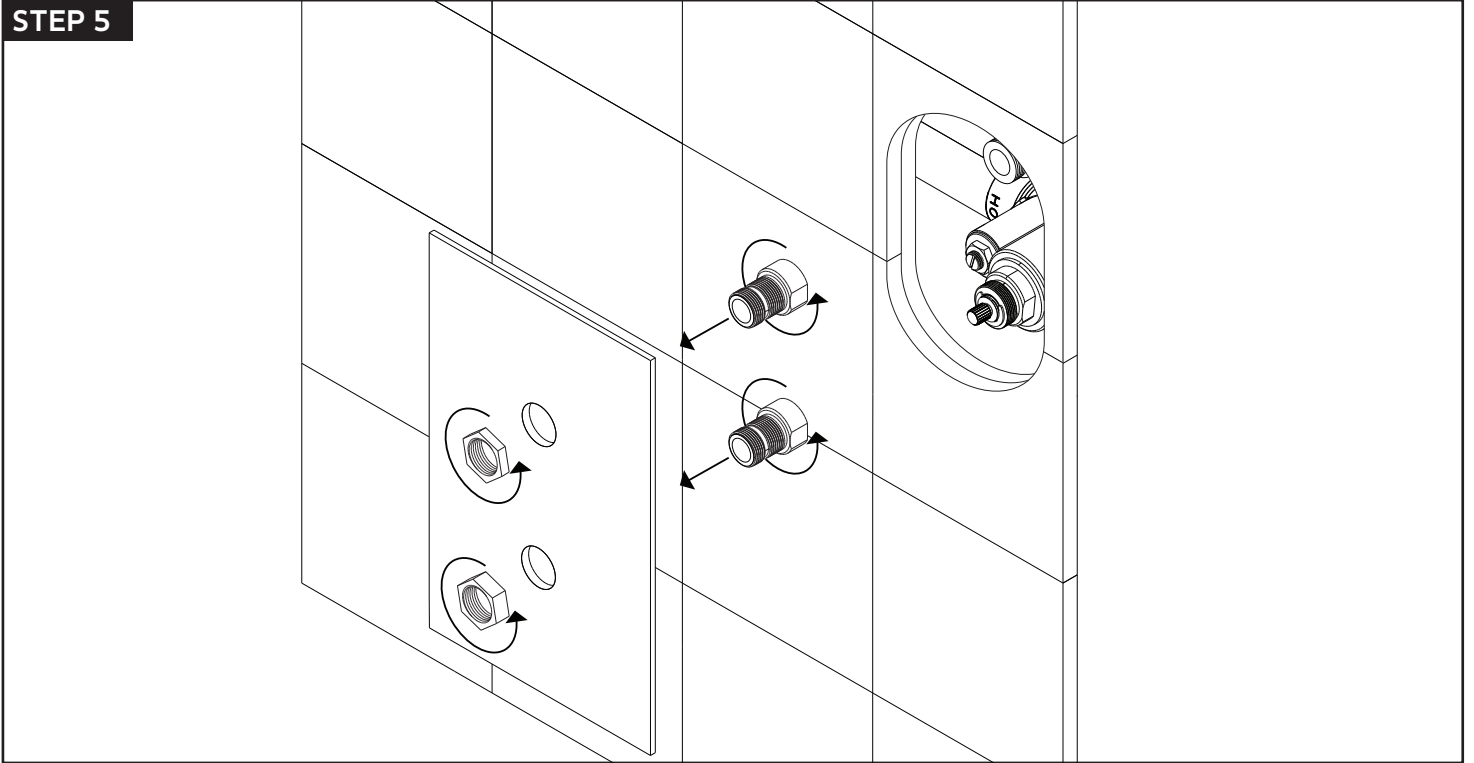


STEP 4

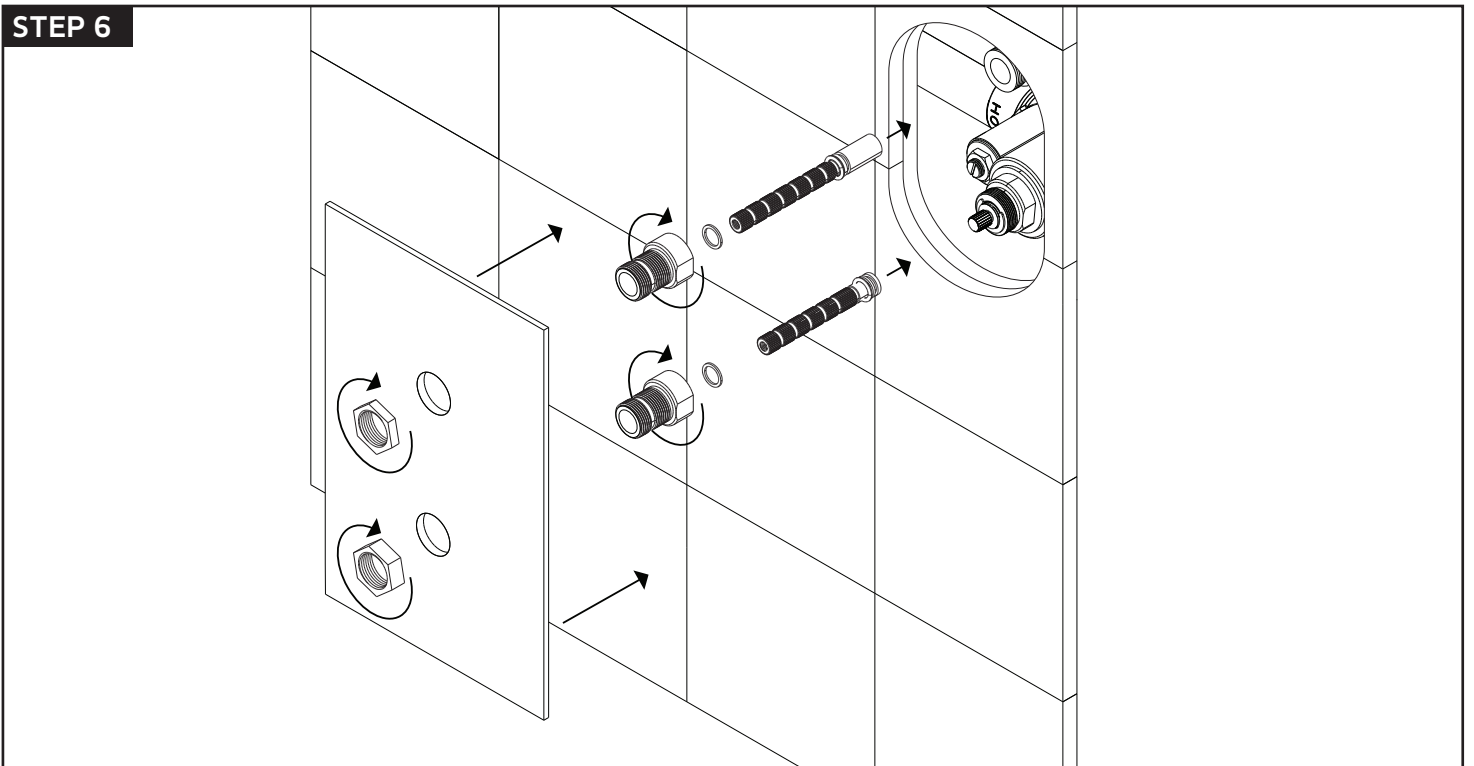


INSTALLATION STEPS

STEP 5

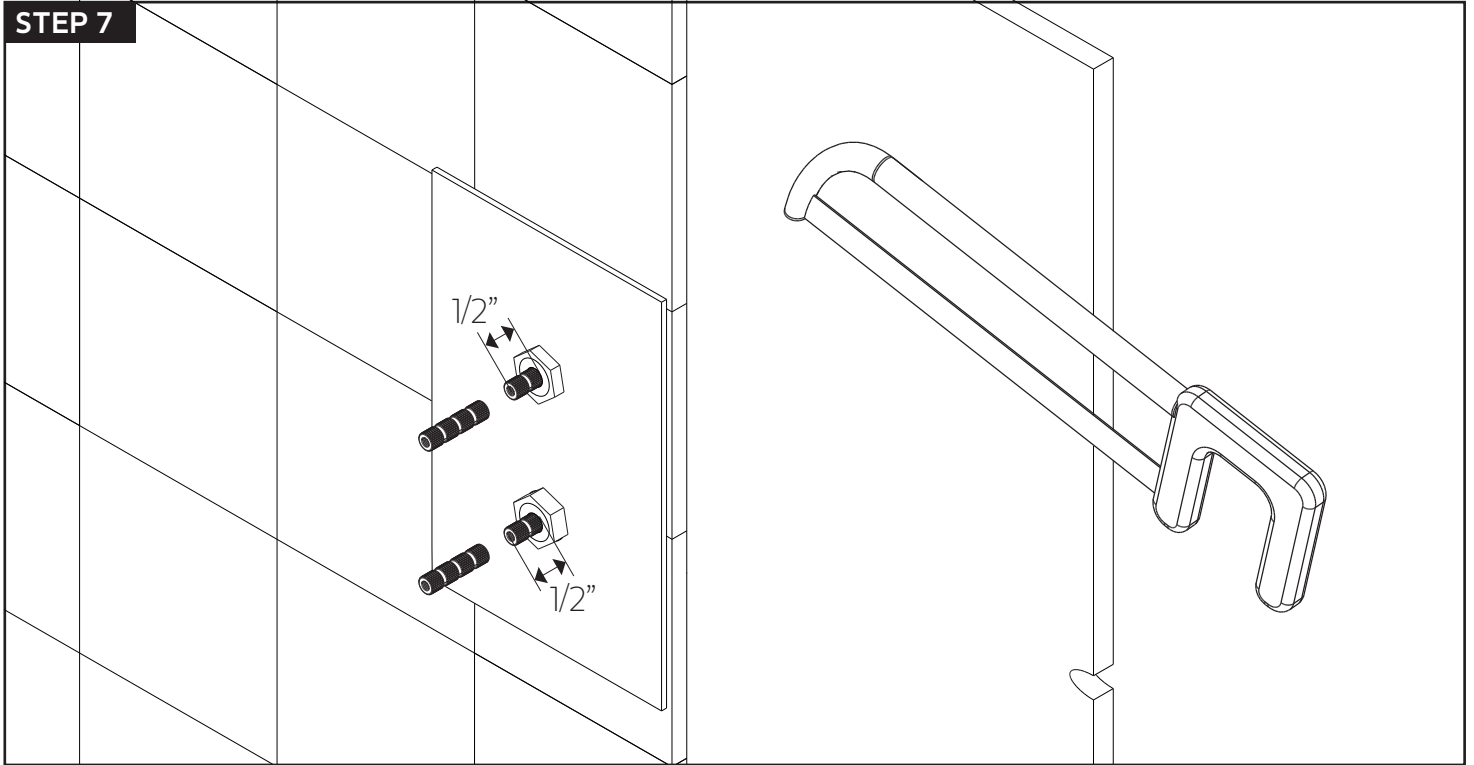


STEP 6

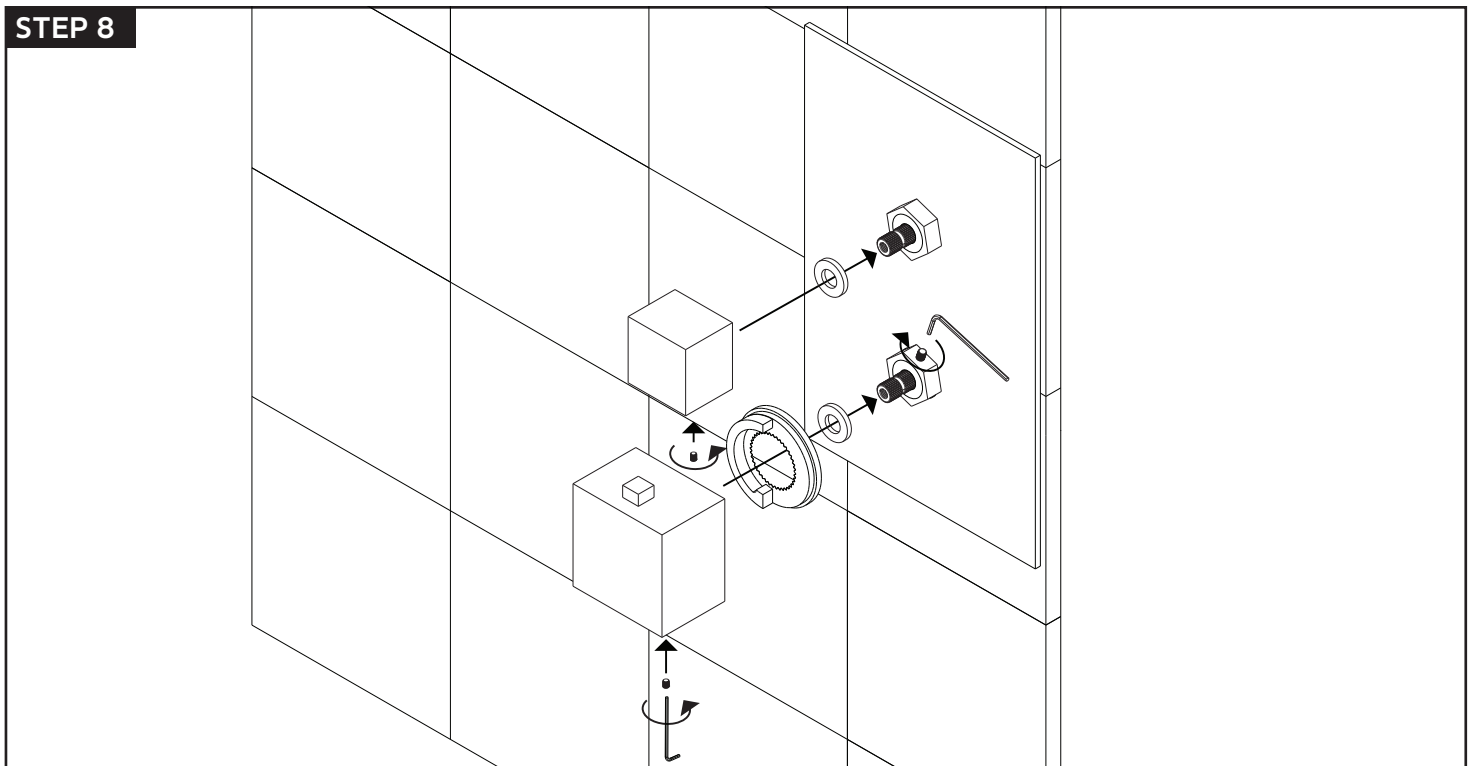


valve trim

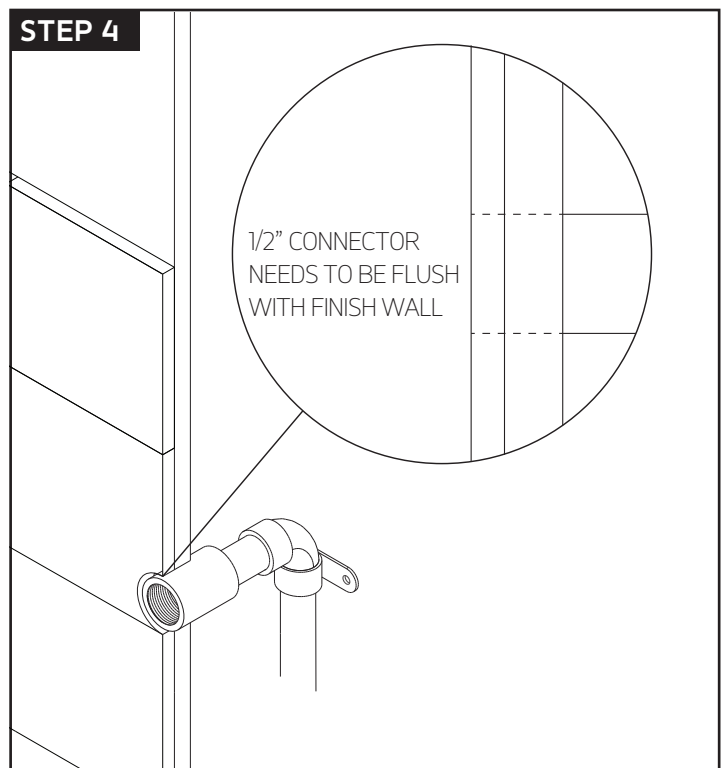
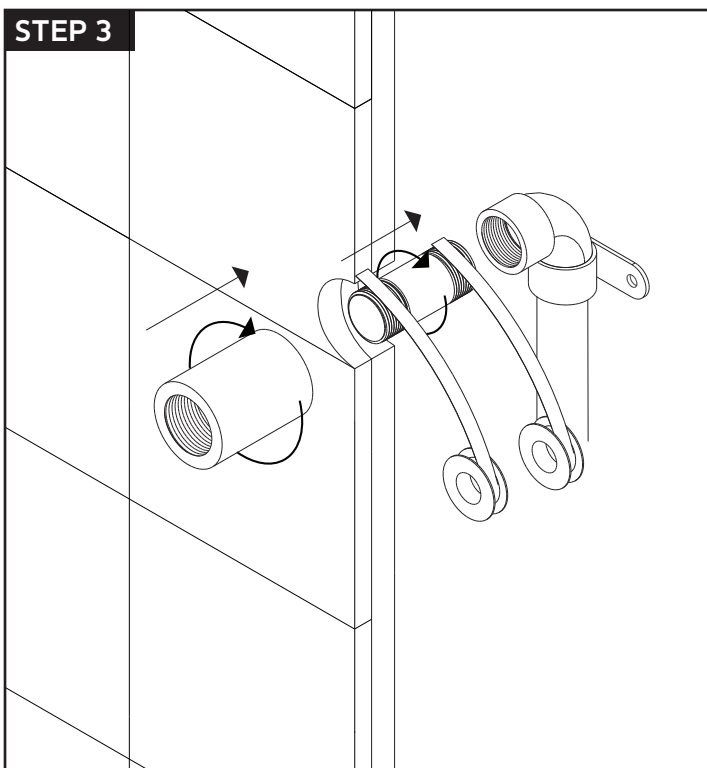
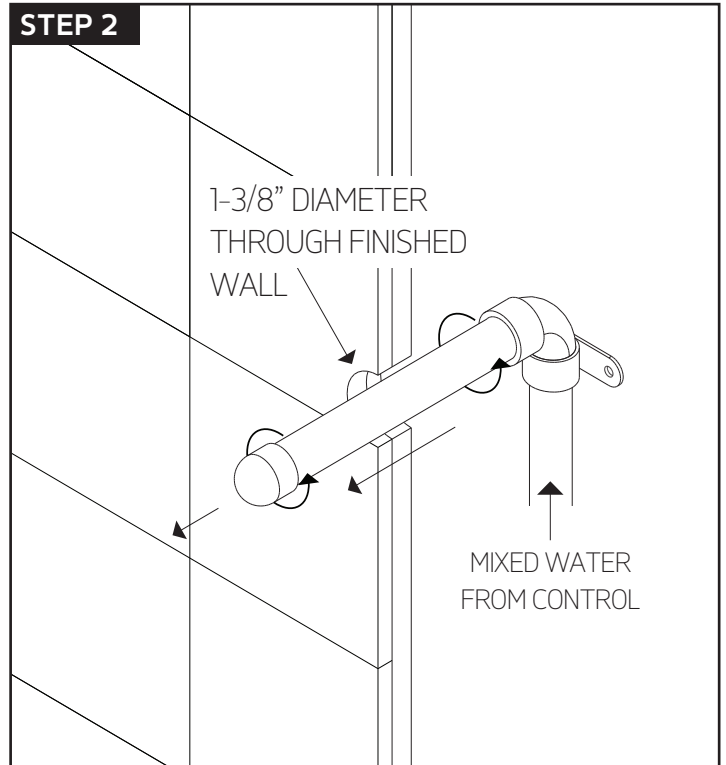
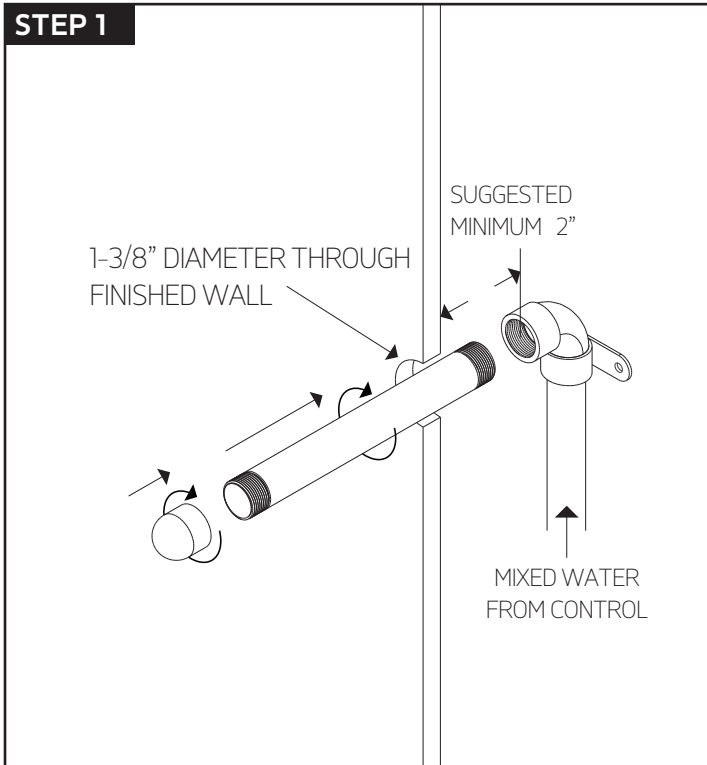
STEP 7



STEP 8



wall mount shower head



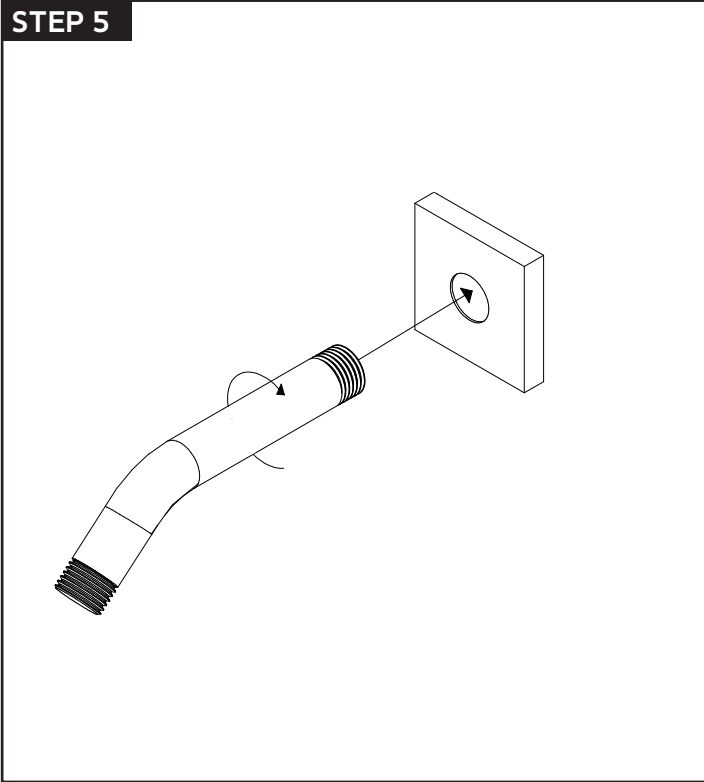
artos[®]

PS107

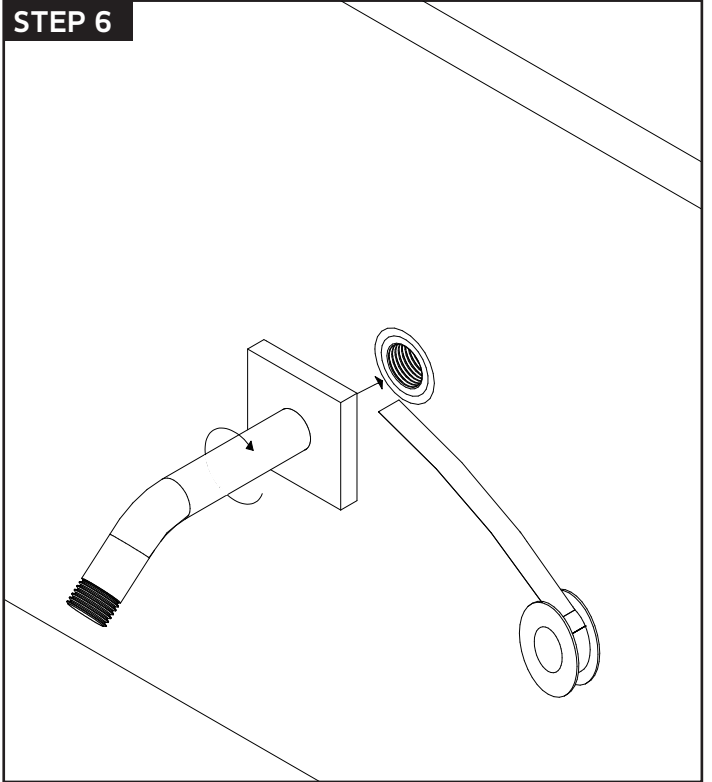
INSTALLATION STEPS

wall mount shower head

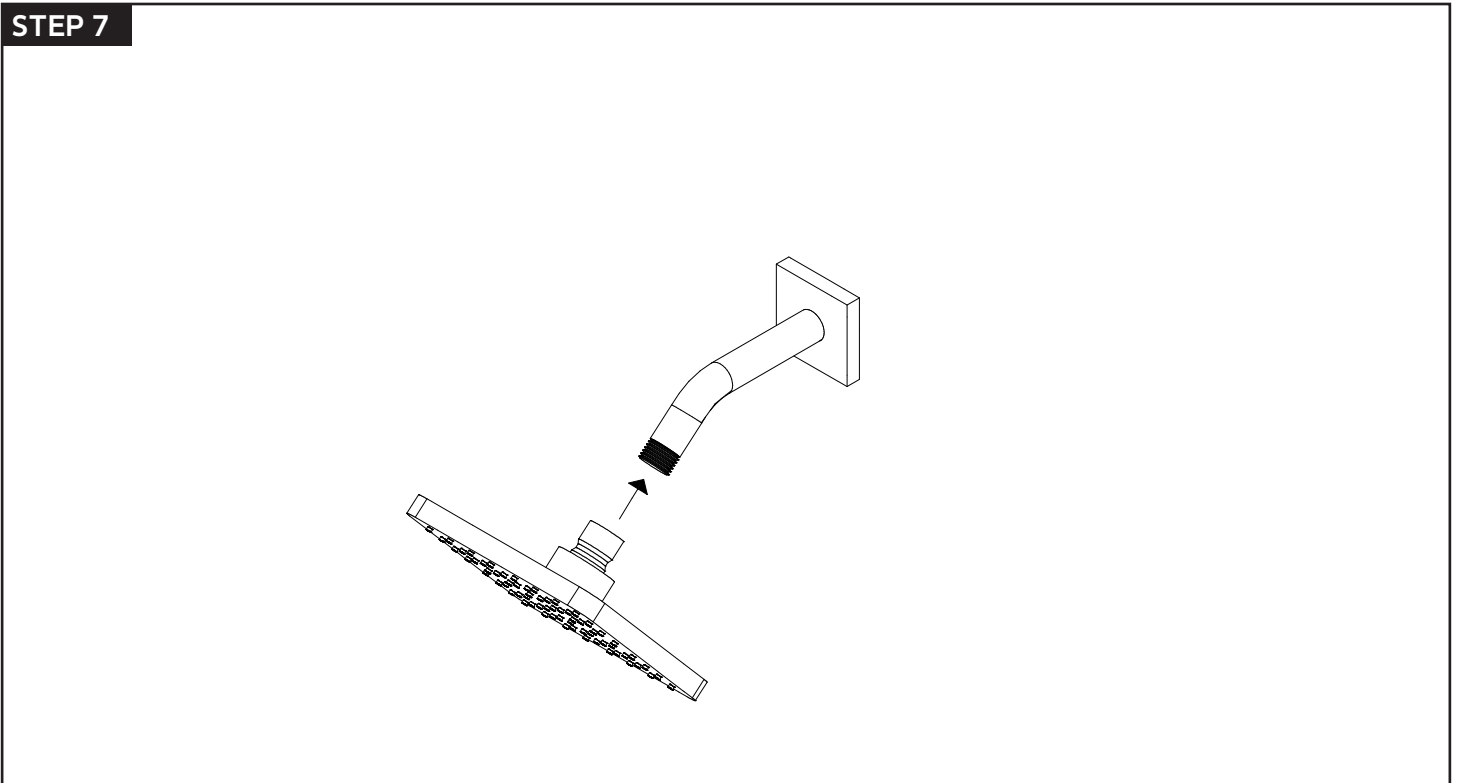
STEP 5



STEP 6



STEP 7



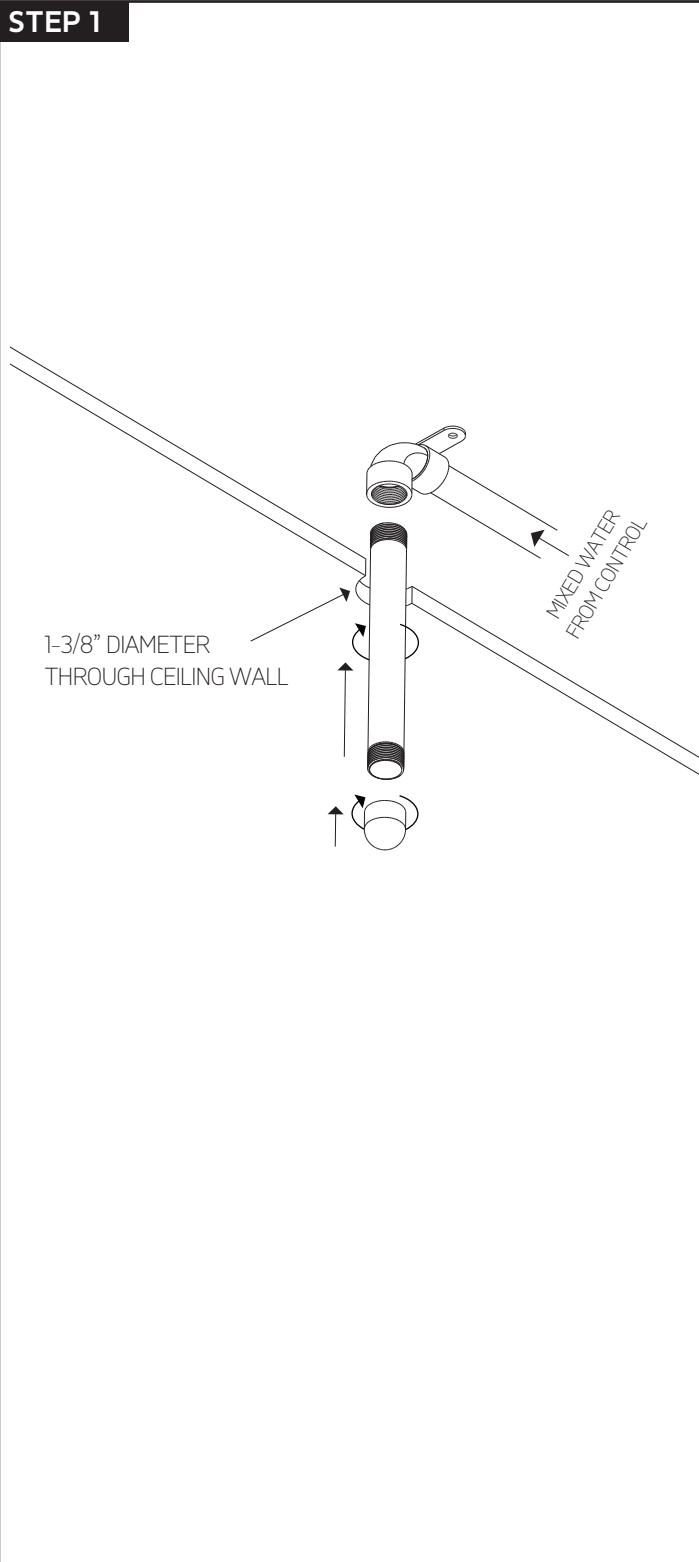
artos[®]

PS107

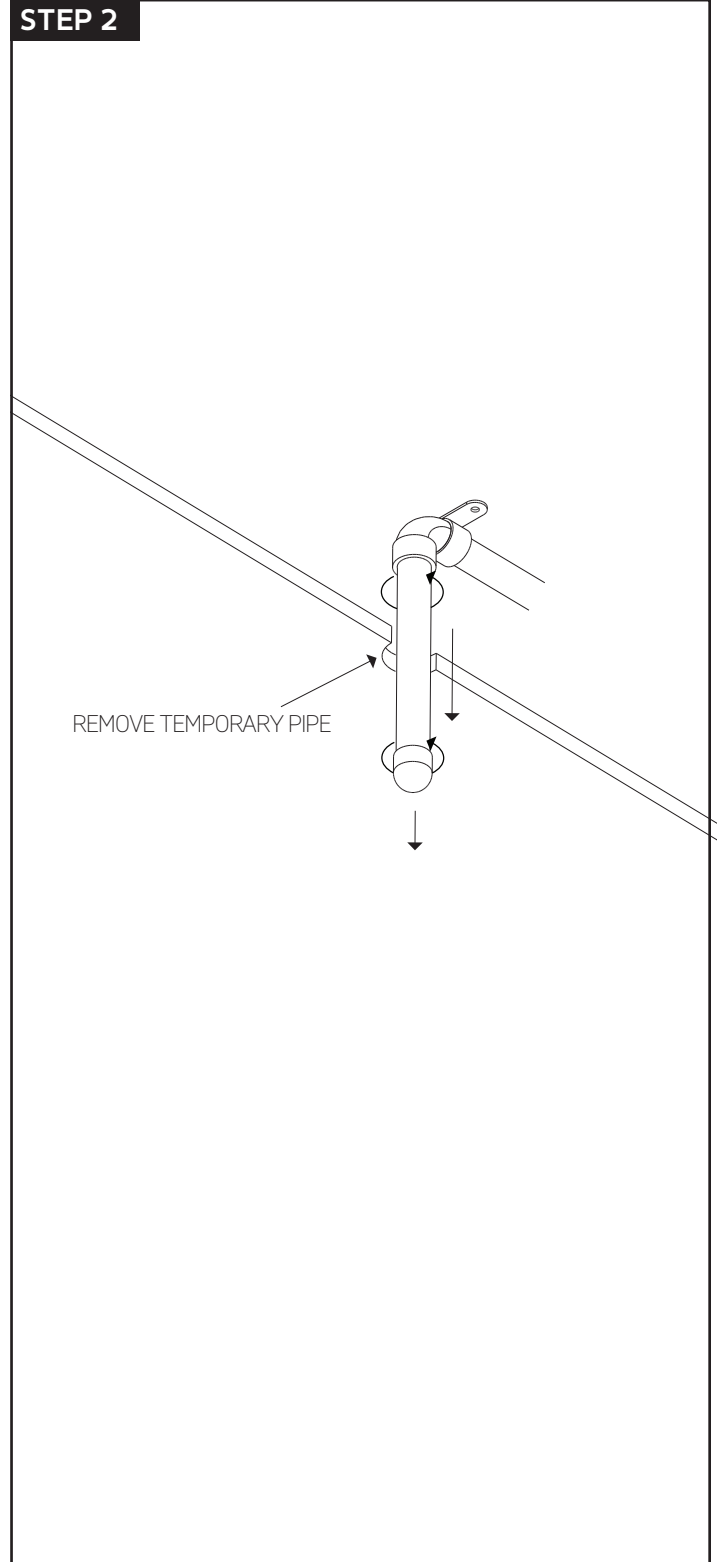
INSTALLATION STEPS

ceiling mount shower head

STEP 1



STEP 2



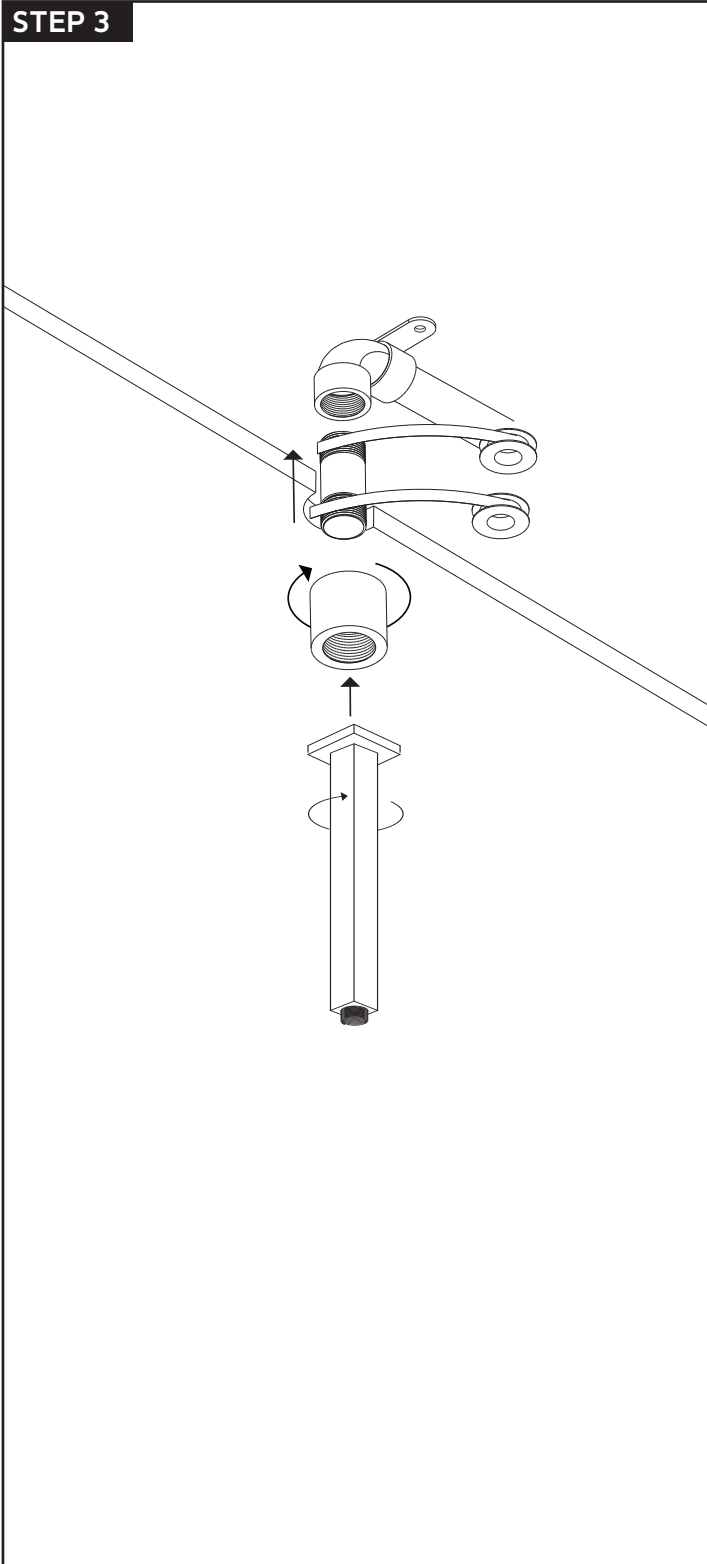
artos[®]

PS107

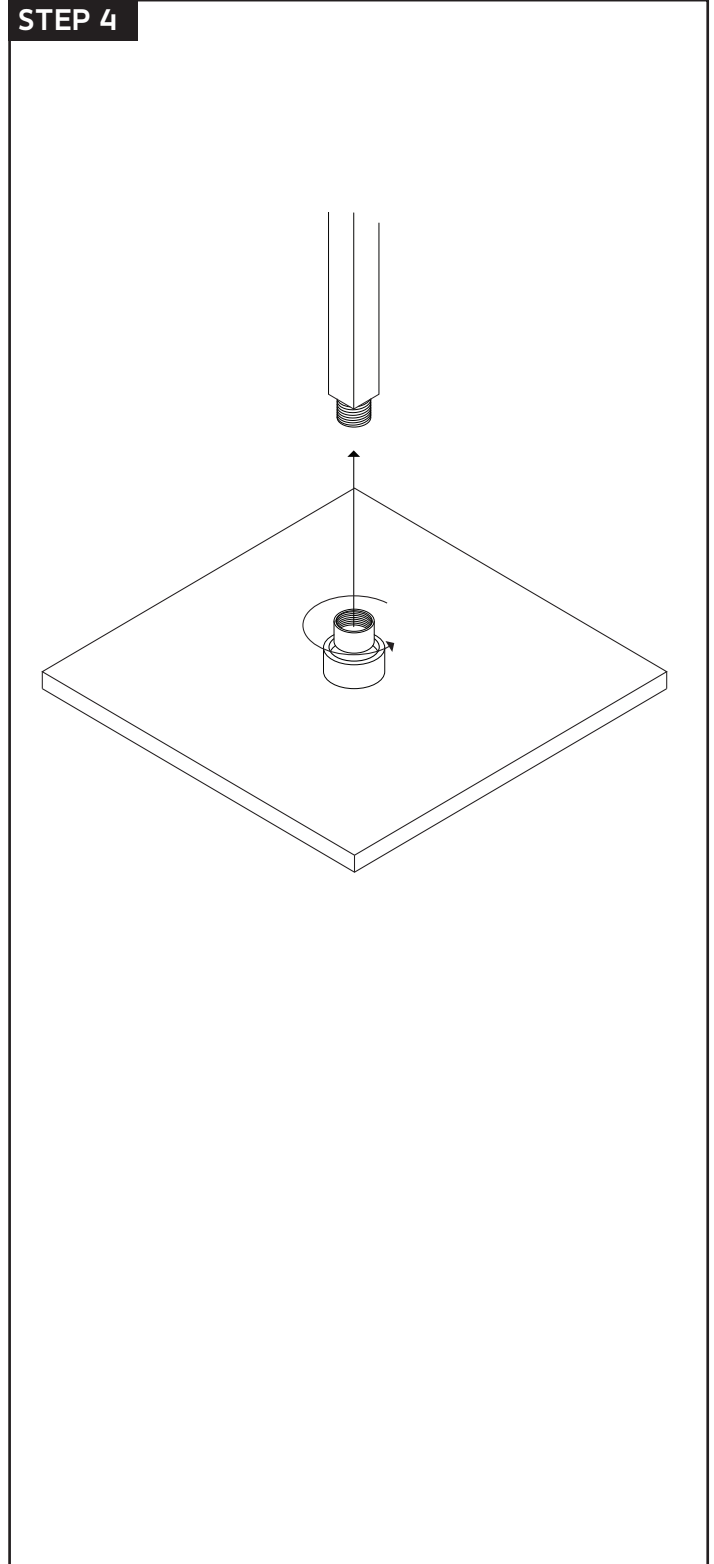
INSTALLATION STEPS

ceiling mount shower head

STEP 3



STEP 4

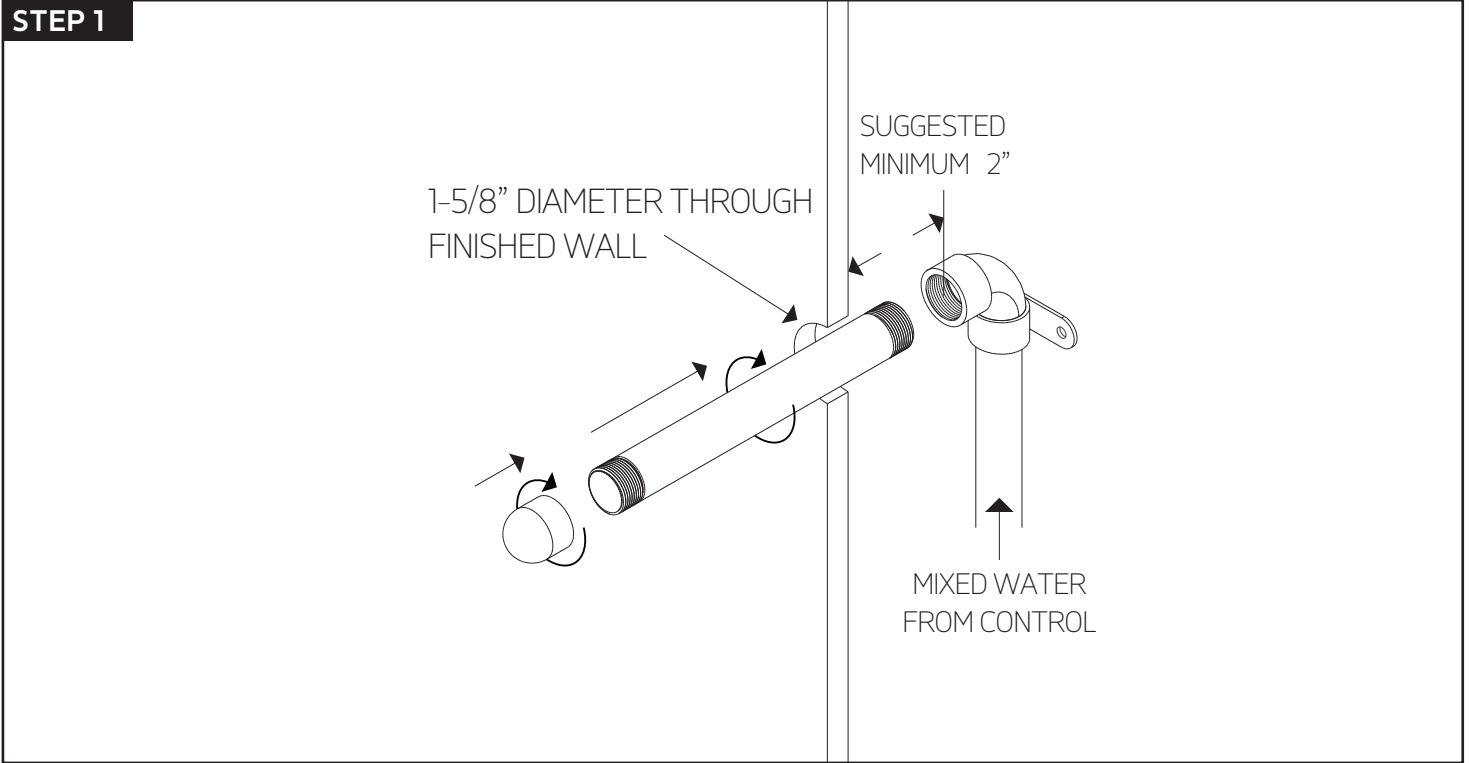


PS107

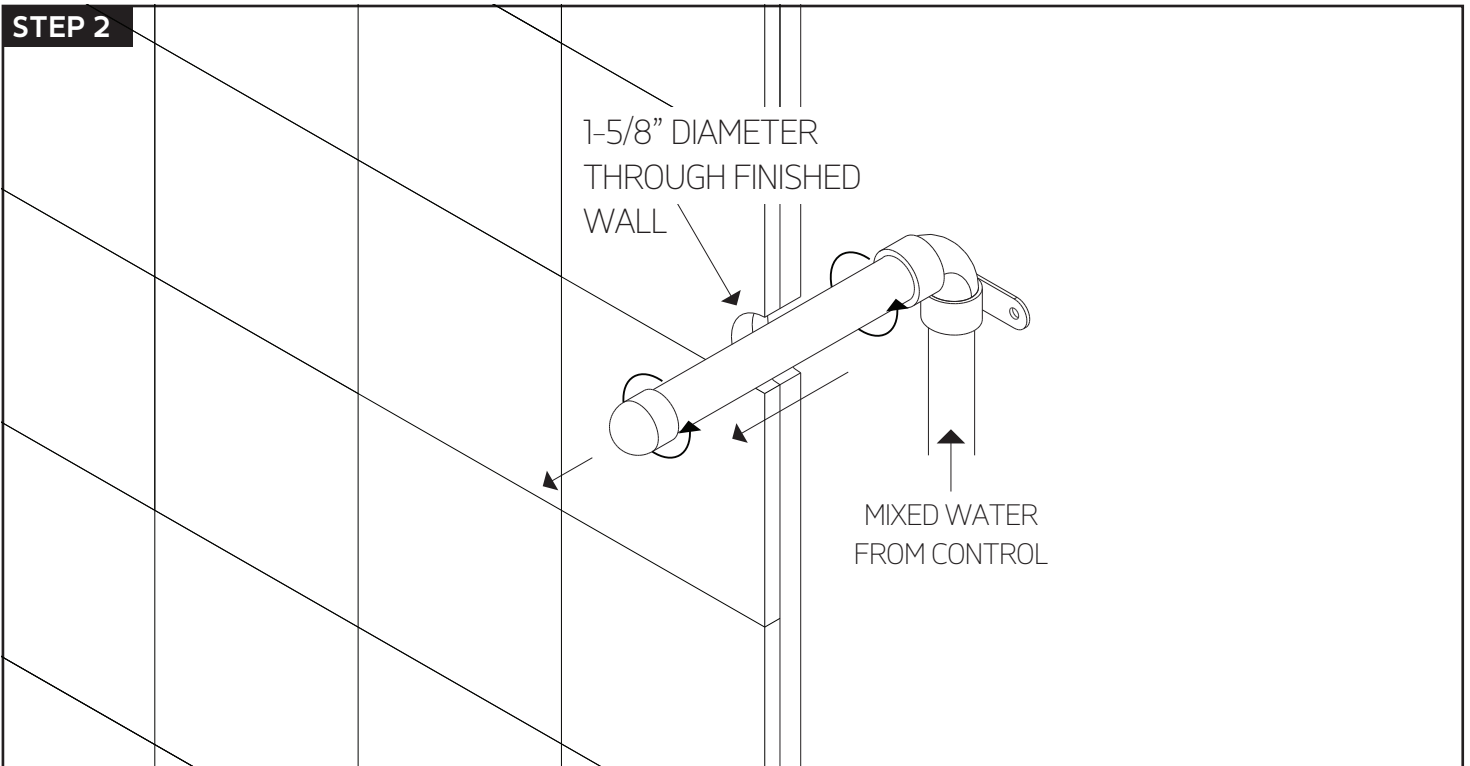
INSTALLATION STEPS

hand shower

STEP 1



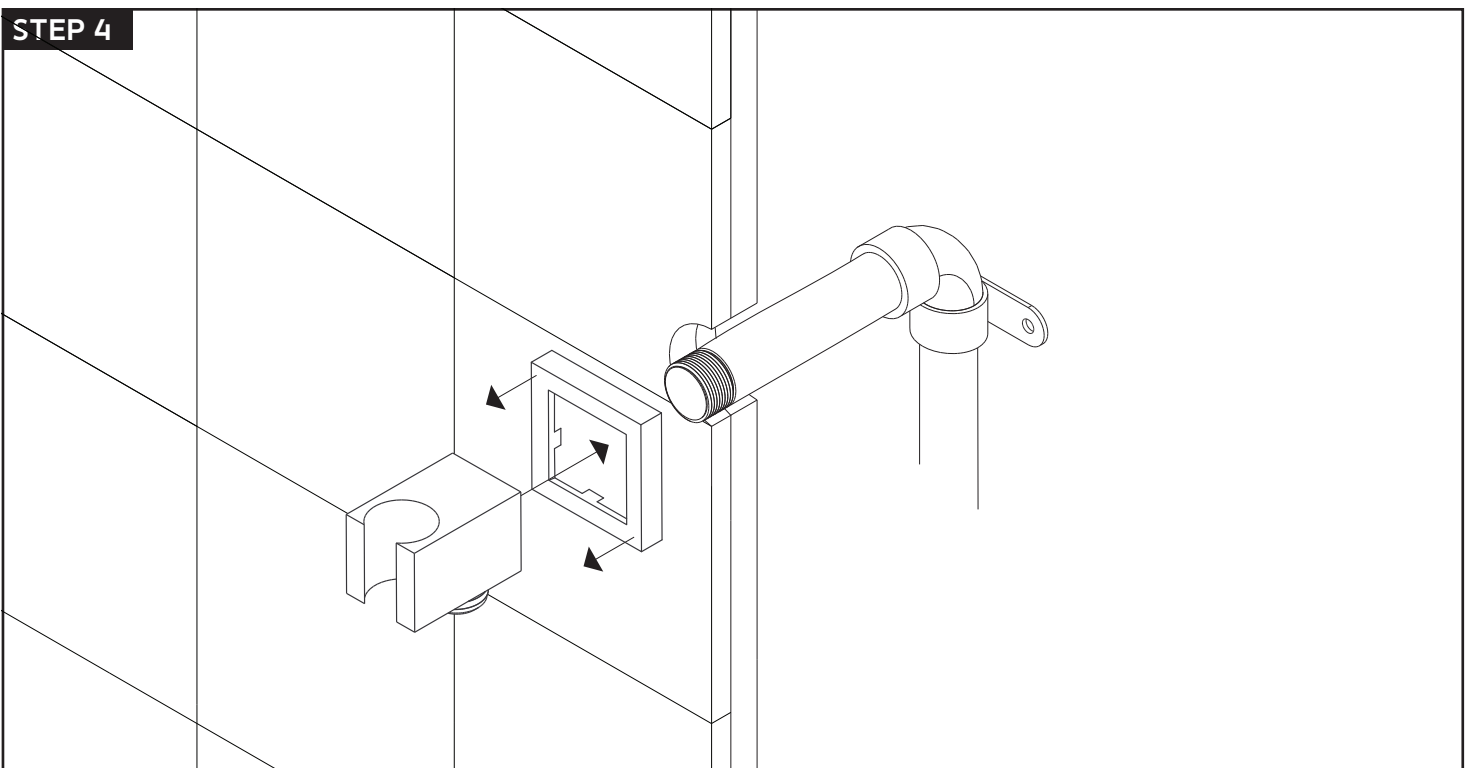
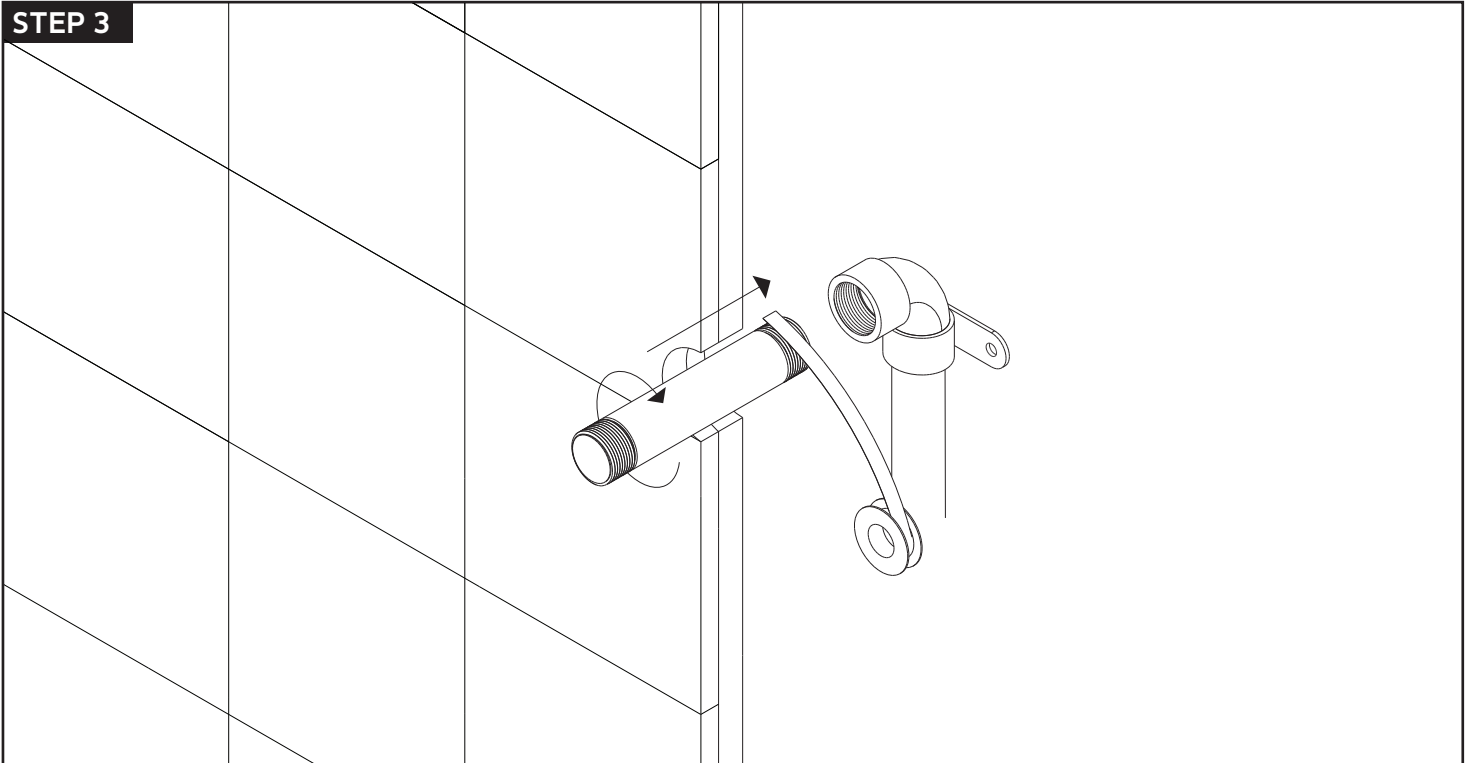
STEP 2



artos[®]

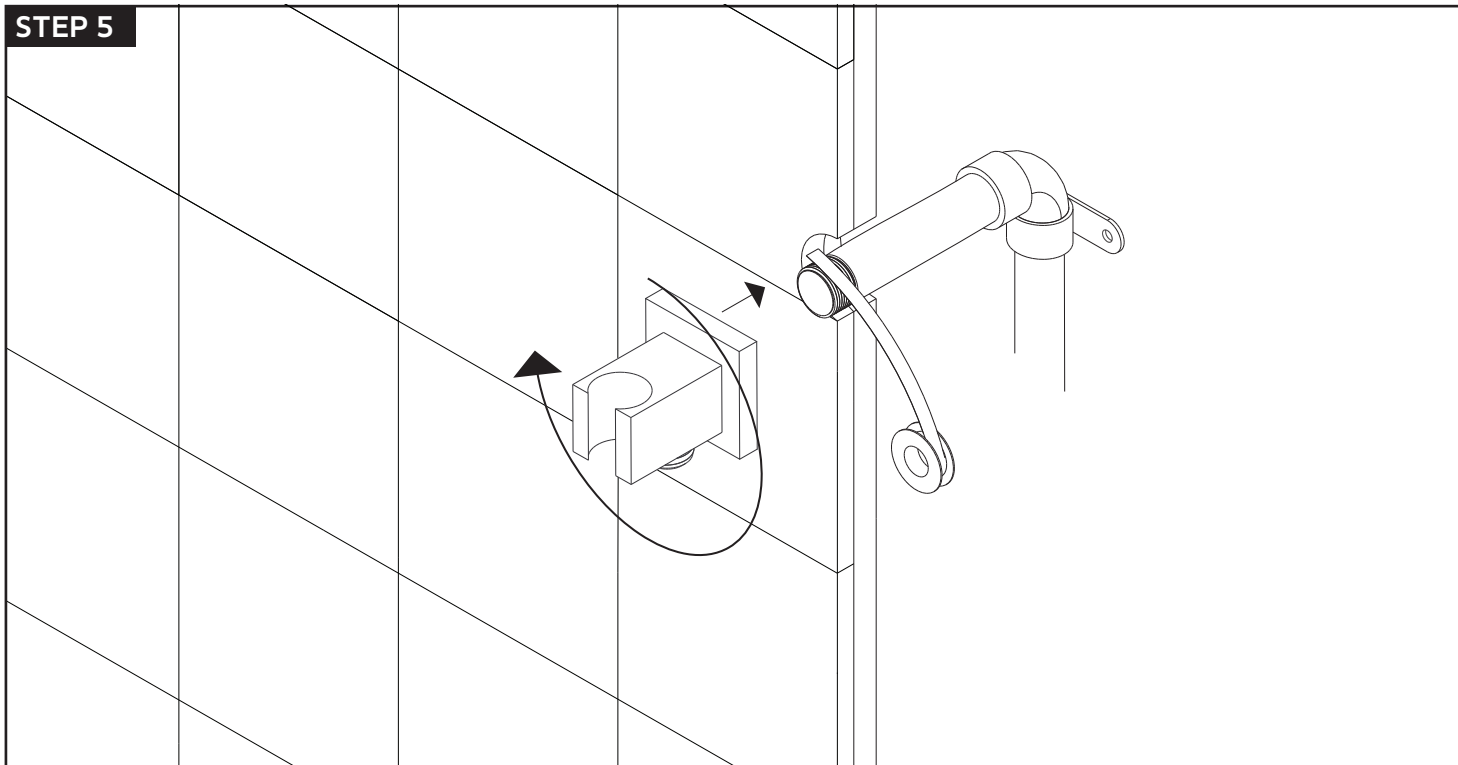
PS107

hand shower

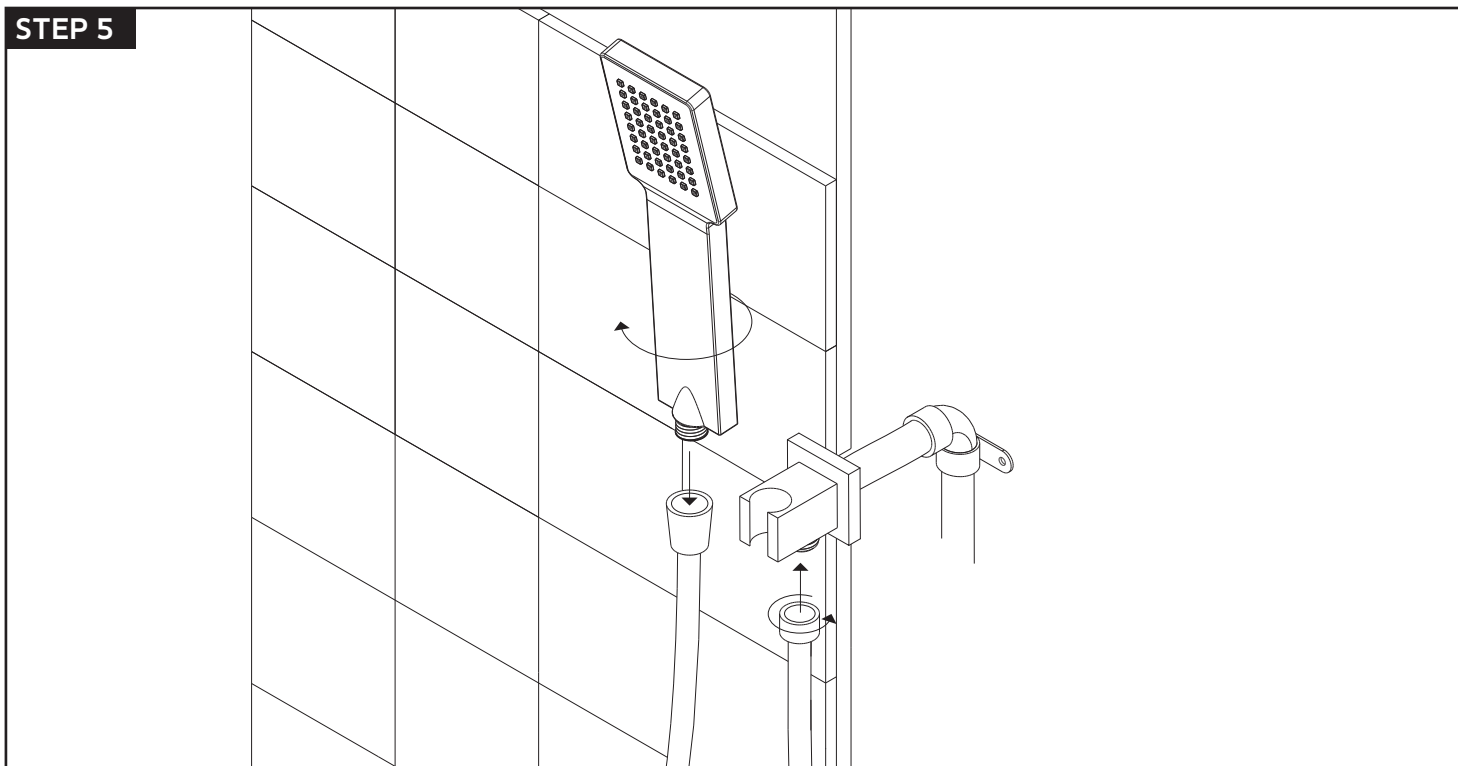


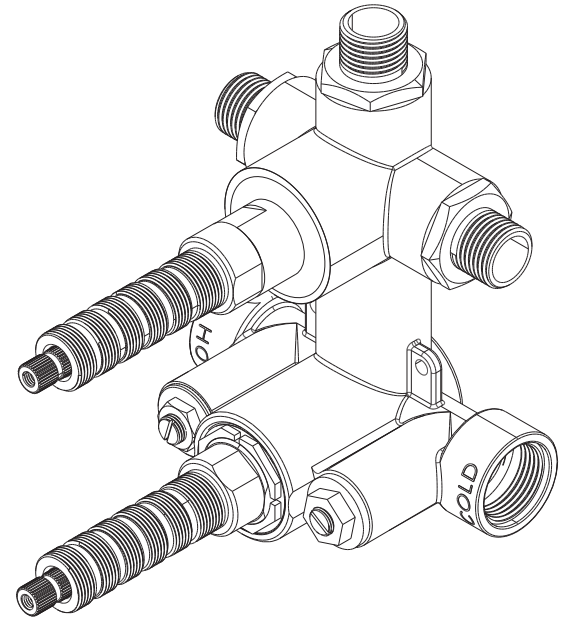
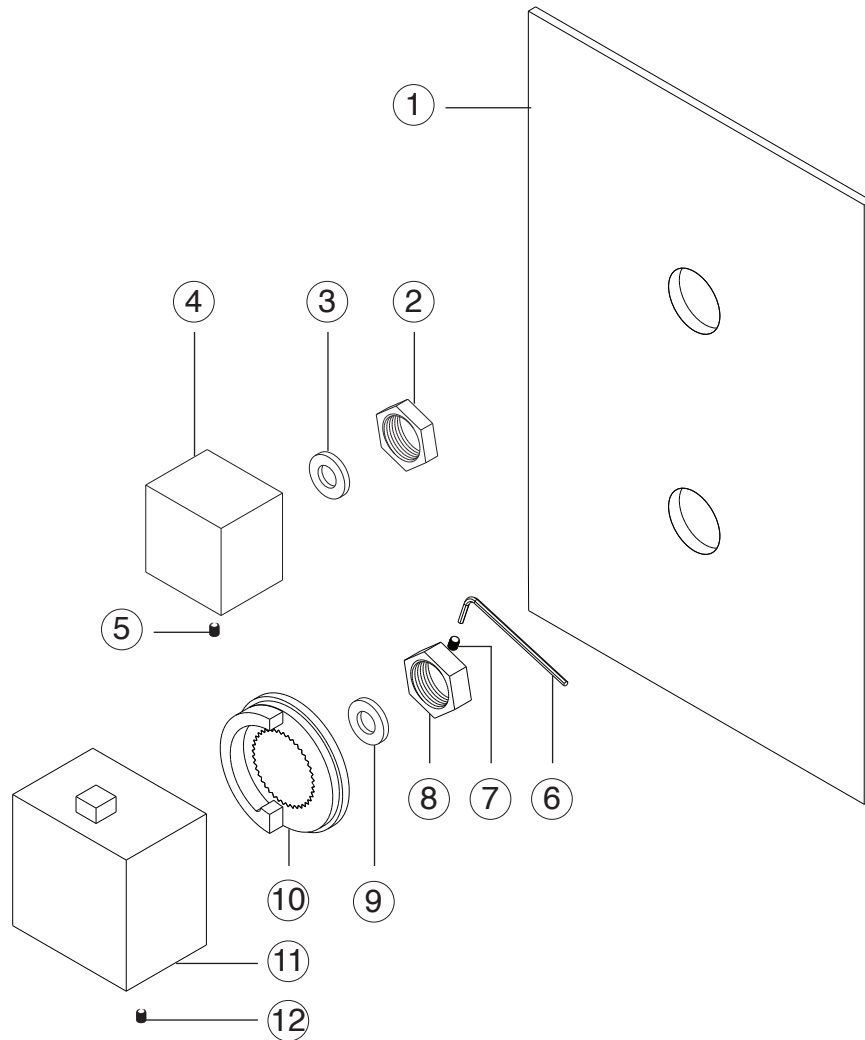
INSTALLATION STEPS

STEP 5



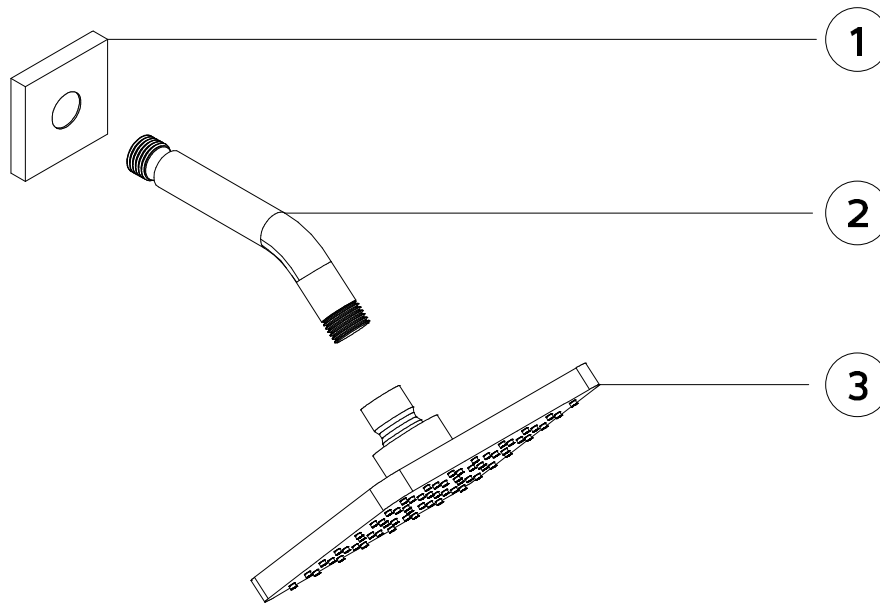
STEP 5



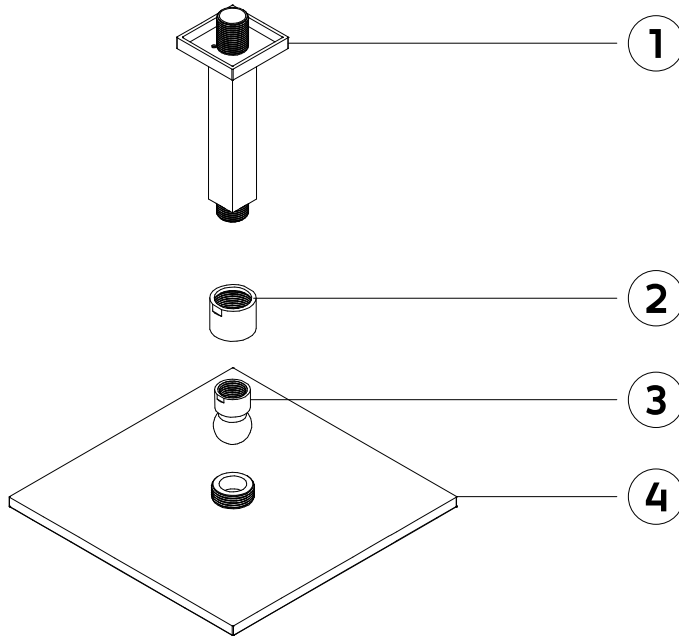


- ① ESCUTCHEON: F903A-9P
- ② DIVERTER LOCKING NUT
- ③ NYLON WASHER
- ④ DIVERTER HANDLE: F903A-10H
- ⑤ DIVERTER SET SCREW
- ⑥ ALLEN WRENCH
- ⑦ LOCKING NUT SET SCREW

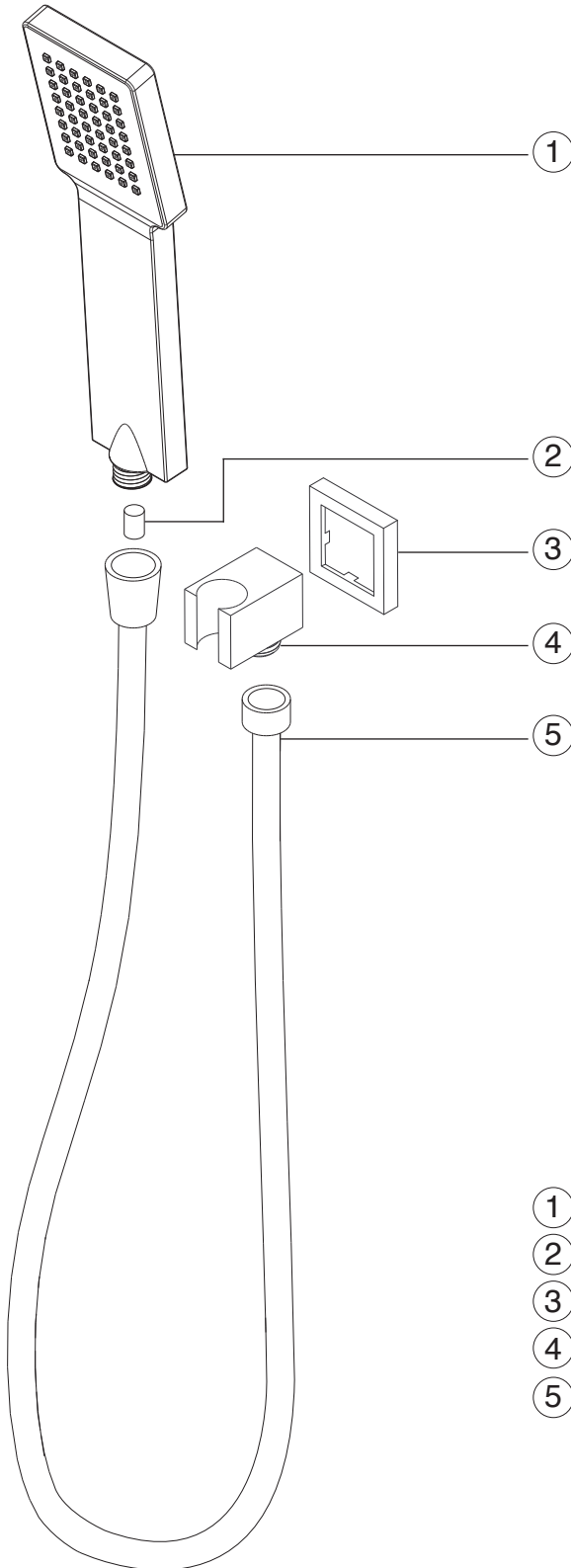
- ⑧ THERMOSTAT LOCKING NUT
- ⑨ NYLON WASHER
- ⑩ TEMPERATURE LIMITING RING
- ⑪ THERMOSTAT HANDLE: F904A-2H
- ⑫ THERMOSTAT SET SCREW



- ① **SHOWER ARM ESCUTCHEON:** F915-1
- ② **SHOWER ARM:** F902-11
- ③ **SHOWER HEAD:** F901-19



- ① **SHOWER ARM:** F703-2/5
- ② **SWIVEL ARM SECURING NUT**
- ③ **SWIVEL ARM**
- ④ **SHOWER HEAD:** F901-5



- ① **HAND SHOWER:** F902-15
- ② **HAND SHOWER CHECK VALVE**
- ③ **ESCUTCHEON PLATE**
- ④ **SHOWER OUTLET ELBOW AND HOLDER:** FSC1002
- ⑤ **SHOWER HOSE:** F902-8