

# M06875W

## INSTALLATION GUIDE

denby towel warmer,  
hardwired

BRUSHED NICKEL(BN)



CHROME(CH)



POLISHED NICKEL(PN)



BLACK(BK)



# artos<sup>®</sup>

## M06875W

denby towel warmer,  
hardwired

## OPERATING SPECIFICATIONS



### FEATURES

Towel warming, drying and auxiliary heating.

### ELEMENT

300W, 110V

### CODES

UL Approved  
CSA-US Approved

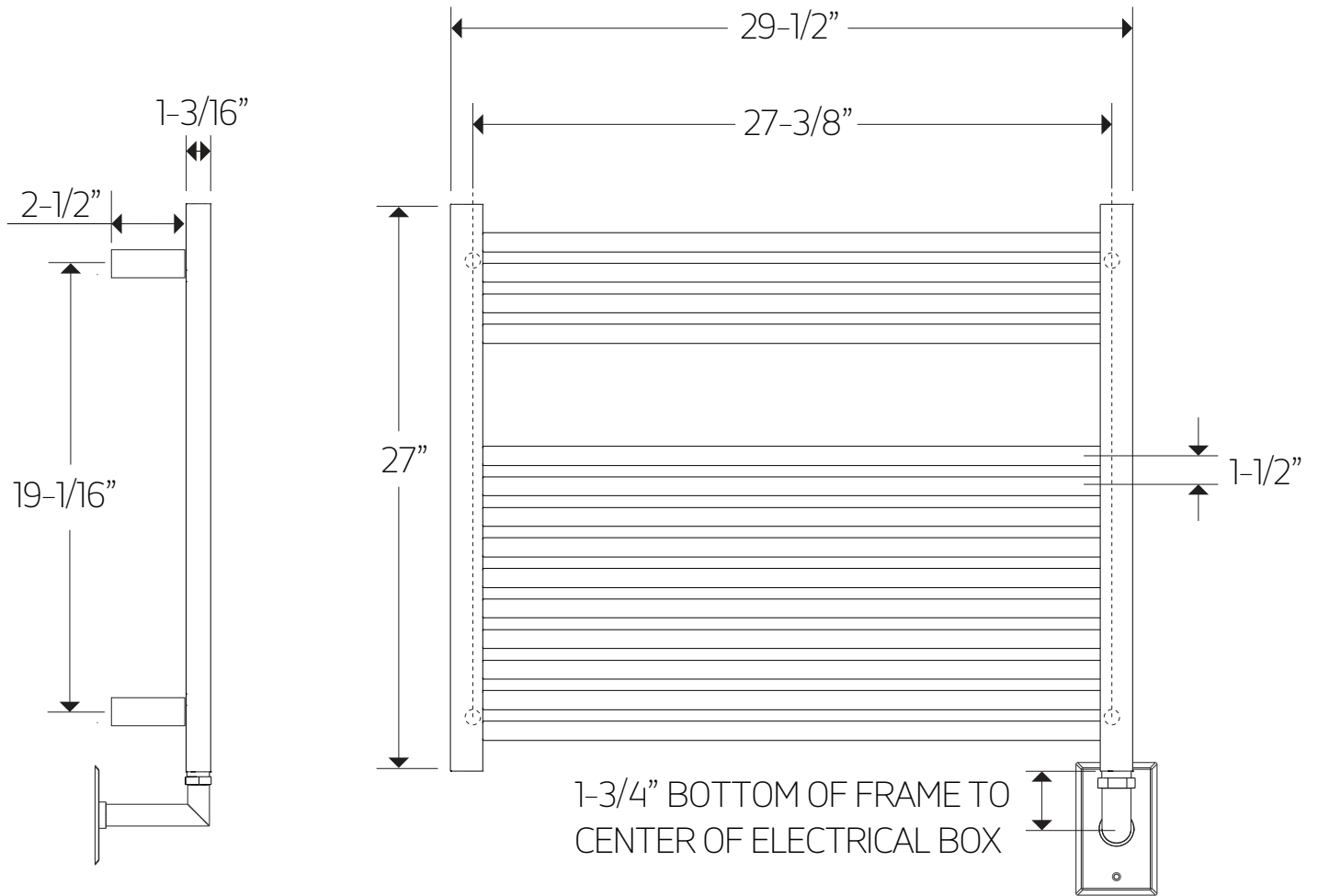
### REQUIREMENTS

The towel warmer must be installed so that the Element is at the bottom.

M06875W

denby towel warmer,  
hardwired

**PRODUCT DIMENSIONS**



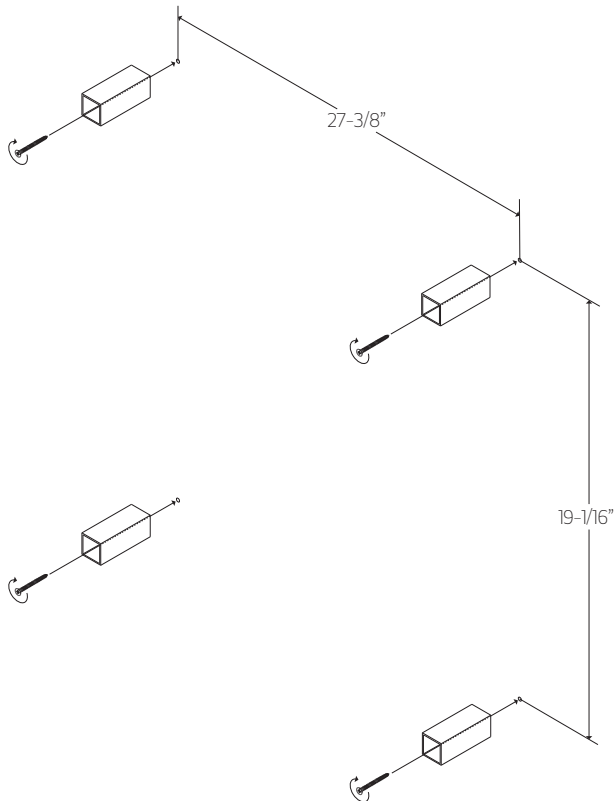
# artos<sup>®</sup>

## M06875W

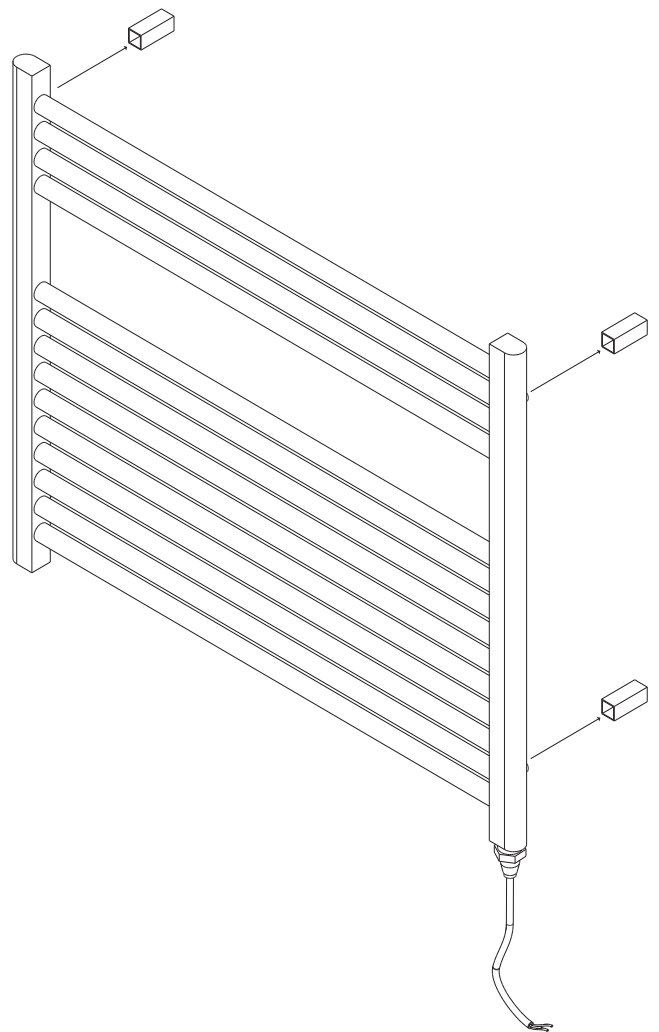
denby towel warmer,  
hardwired

### STEP 1

\*DIMENSIONS ARE APPROXIMATE,  
PLEASE MEASURE UNIT



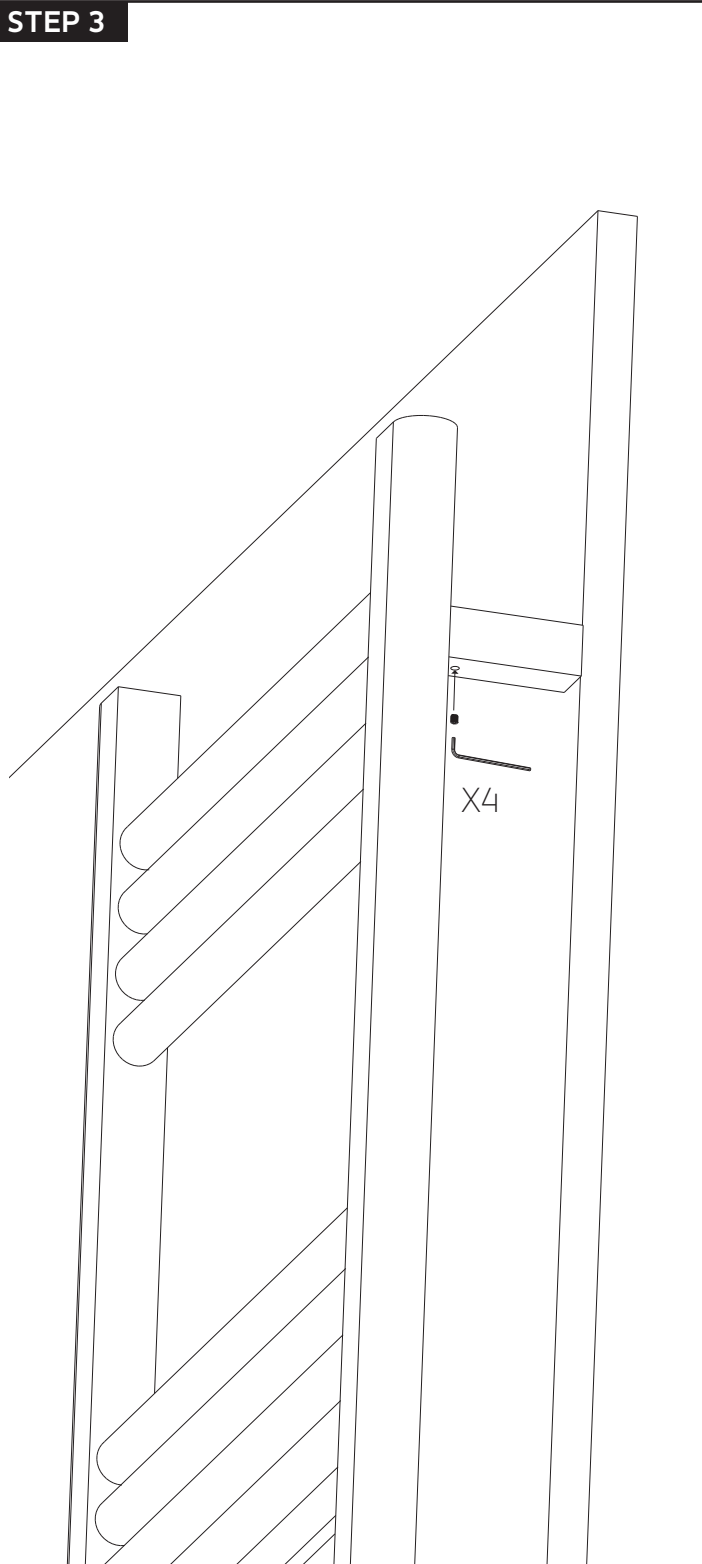
### STEP 2



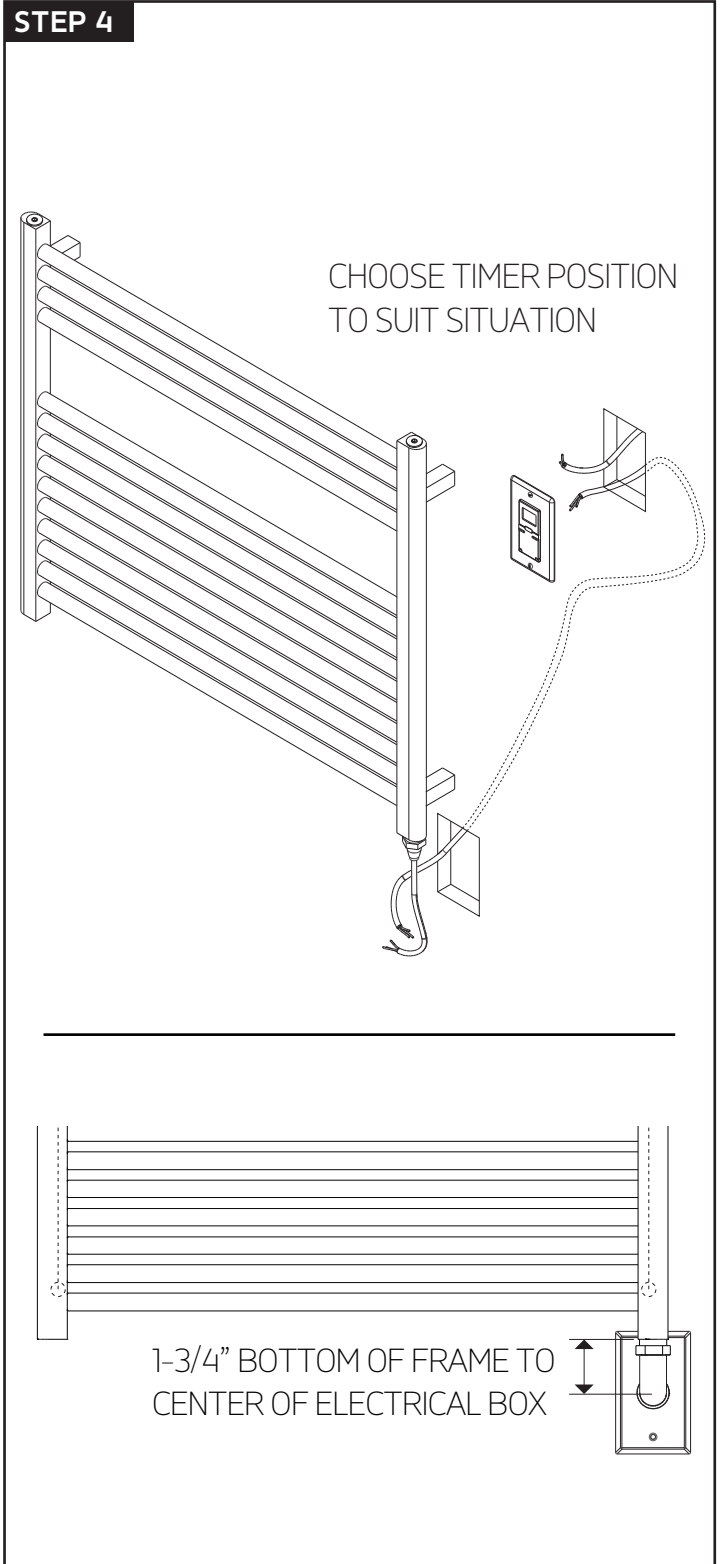
WE RECOMMEND THAT AT LEAST  
2 OF THE WALL BRACKETS ARE  
SECURED INTO A STUD OR BACKER

# INSTALLATION STEPS

## STEP 3



## STEP 4

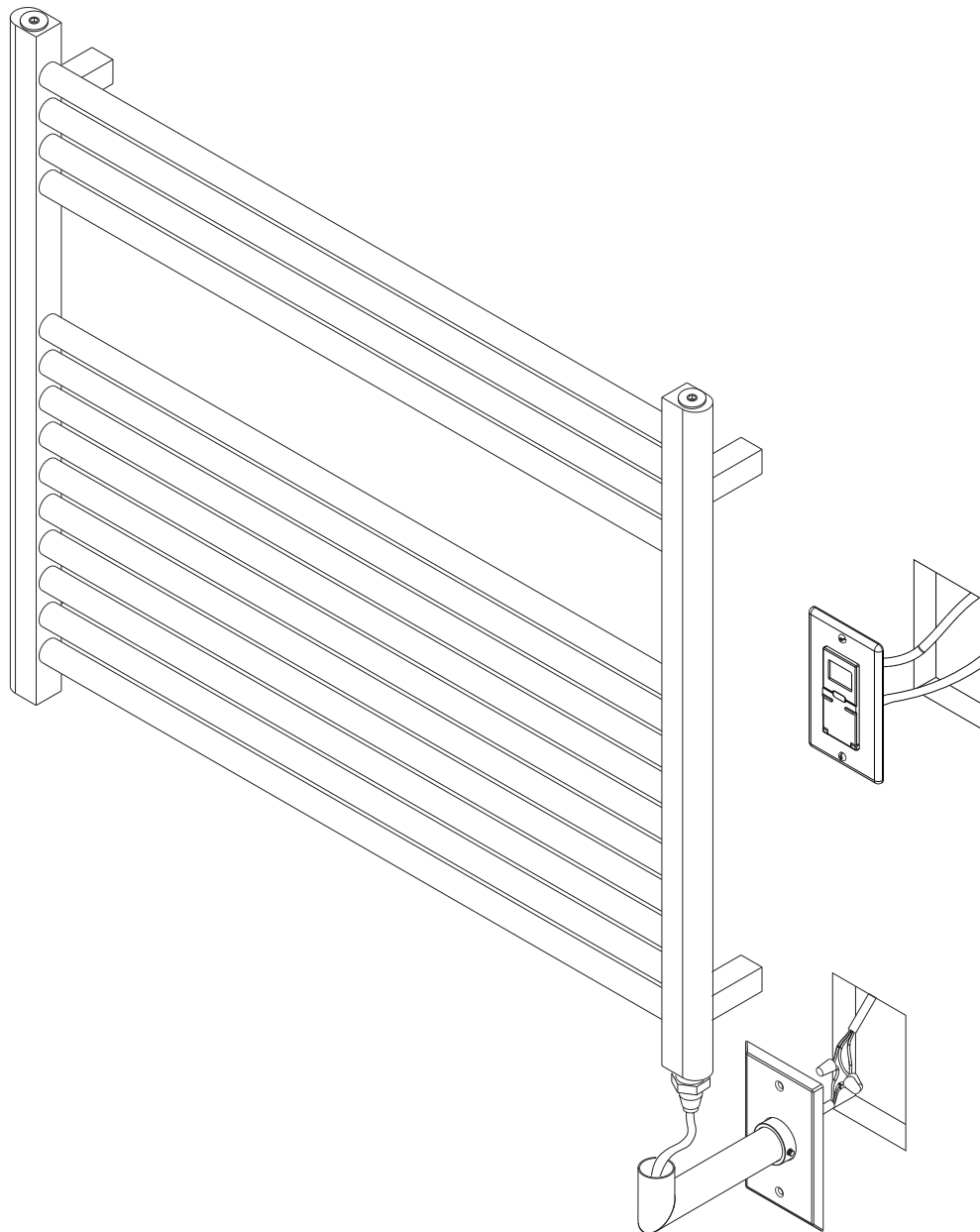


# artos<sup>®</sup>

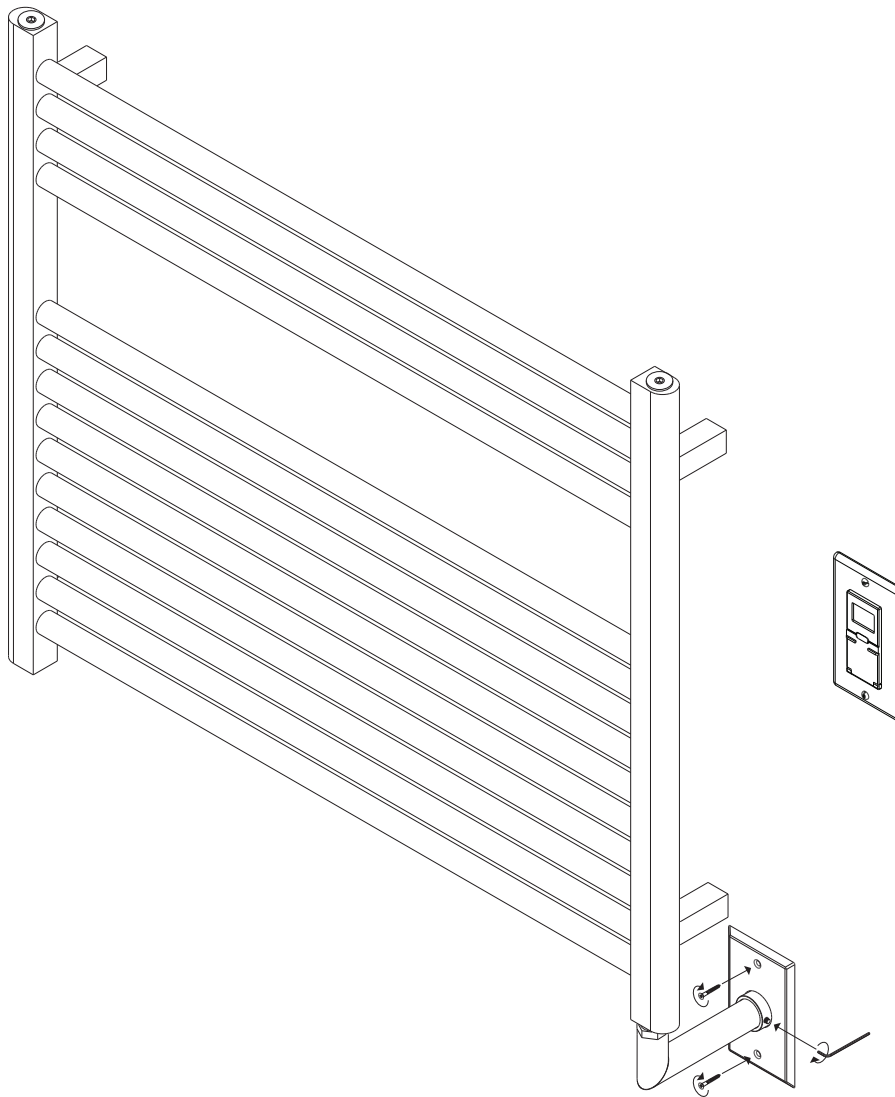
## M06875W

denby towel warmer,  
hardwired

### STEP 5



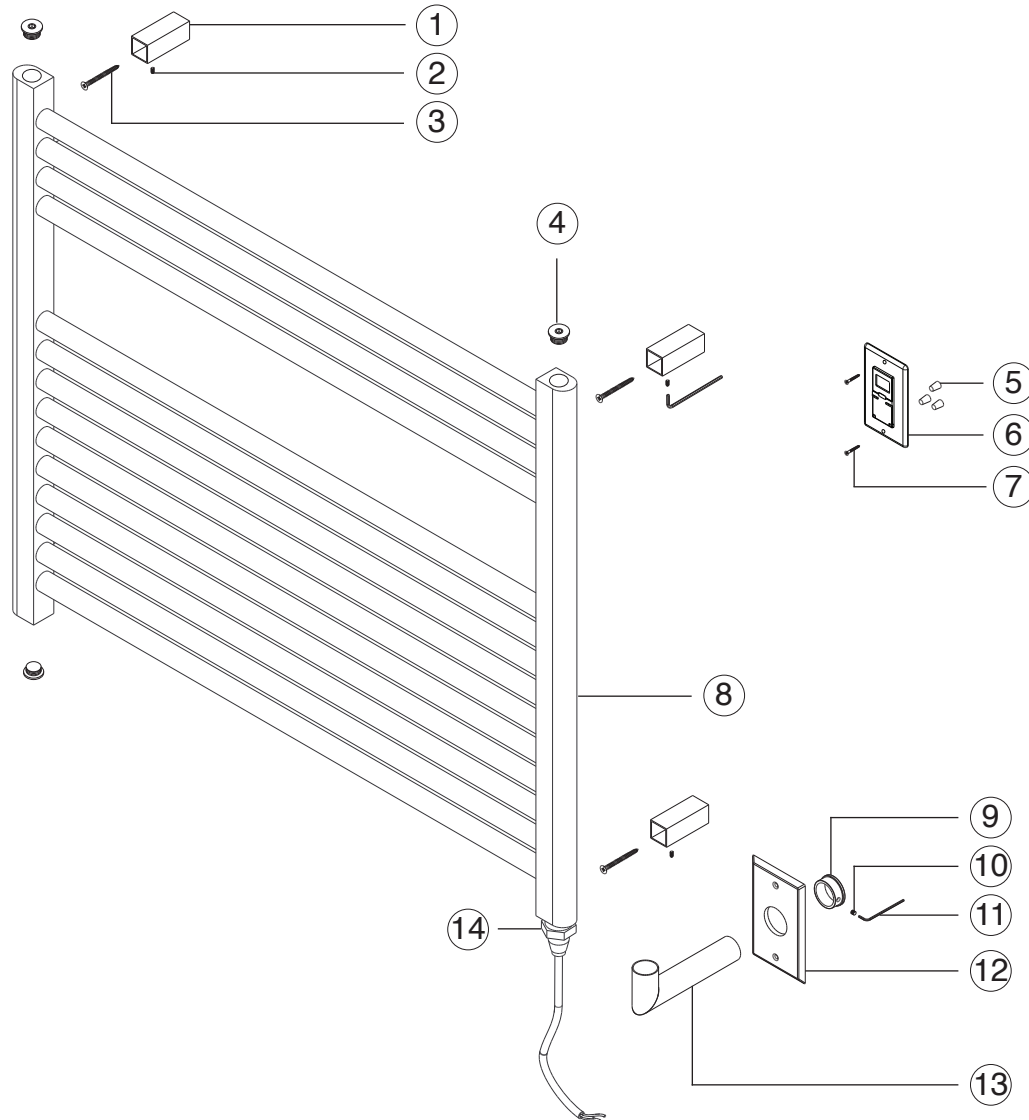
## STEP 6



# artos<sup>®</sup>

M06875W

denby towel warmer,  
hardwired



- ① WALL BRACKET(4)
- ② BRACKET SET SCREW(4)
- ③ BRACKET SCREW(4)
- ④ BLANKING CAP(3)
- ⑤ WIRE NUTS(3)
- ⑥ TIMER
- ⑦ TIMER SCREWS(2)
- ⑧ TOWEL WARMER
- ⑨ ELBOW SECURING SLEEVE
- ⑩ ELBOW SET SCREW
- ⑪ ALLEN WRENCH
- ⑫ BACKPLATE
- ⑬ ELBOW
- ⑭ ELEMENT