

artos[®]

M06845W

INSTALLATION GUIDE

denby towel warmer,
hardwired

BRUSHED NICKEL(BN)



CHROME(CH)



POLISHED NICKEL(PN)



BLACK(BK)



artos[®]

M06845W

denby towel warmer,
hardwired

OPERATING SPECIFICATIONS



FEATURES

Towel warming, drying and auxiliary heating.

ELEMENT

300W, 110V

CODES

UL Approved

CSA-US Approved

REQUIREMENTS

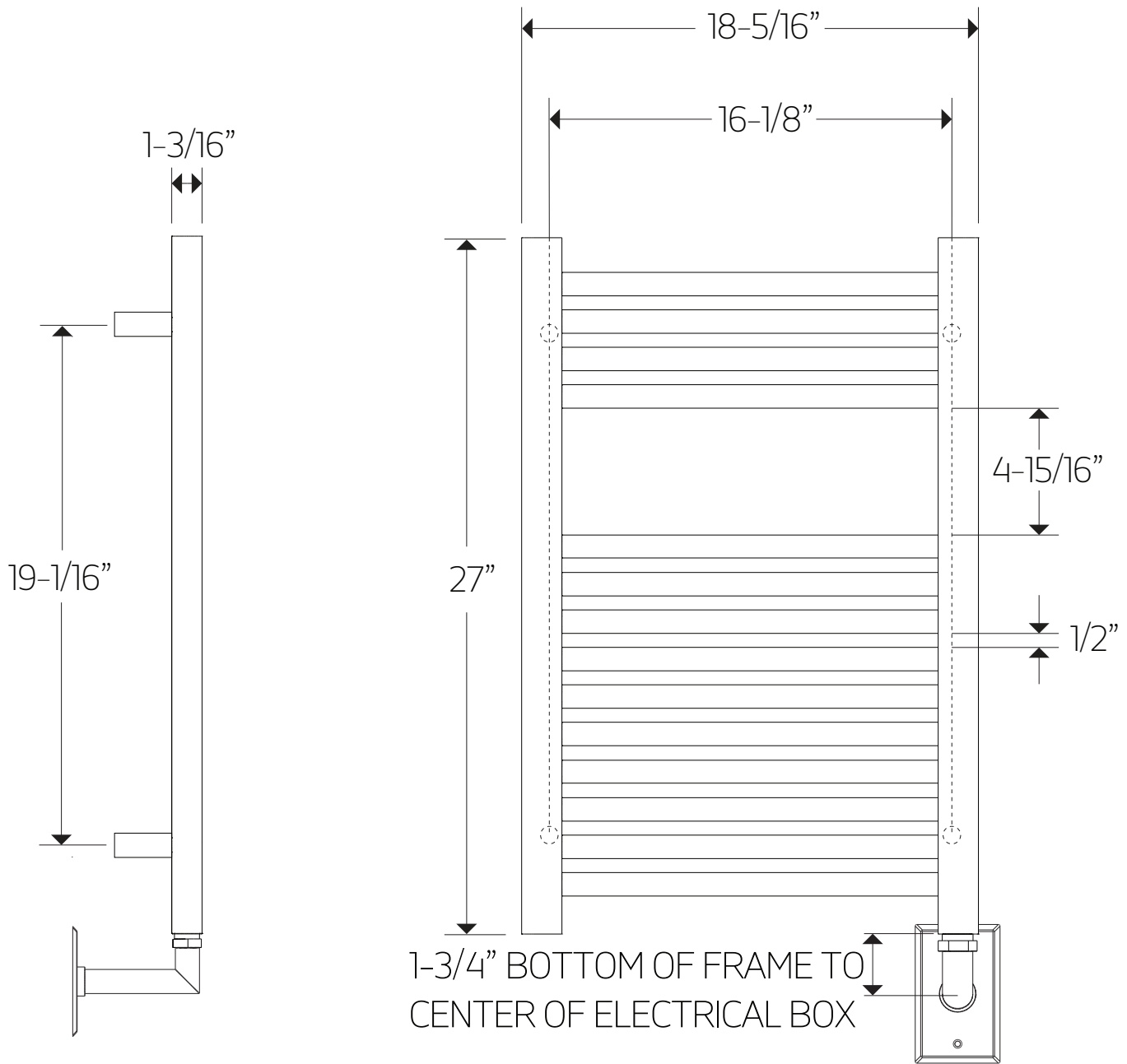
The towel warmer must be installed so that the Element is at the bottom.

artos[®]

M06845W

PRODUCT DIMENSIONS

denby towel warmer,
hardwired



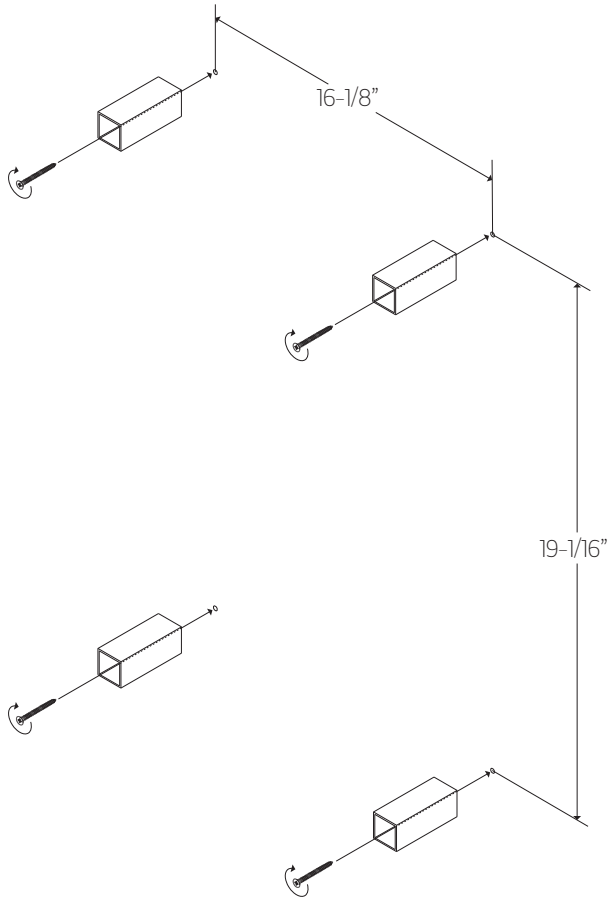
artos[®]

M06845W

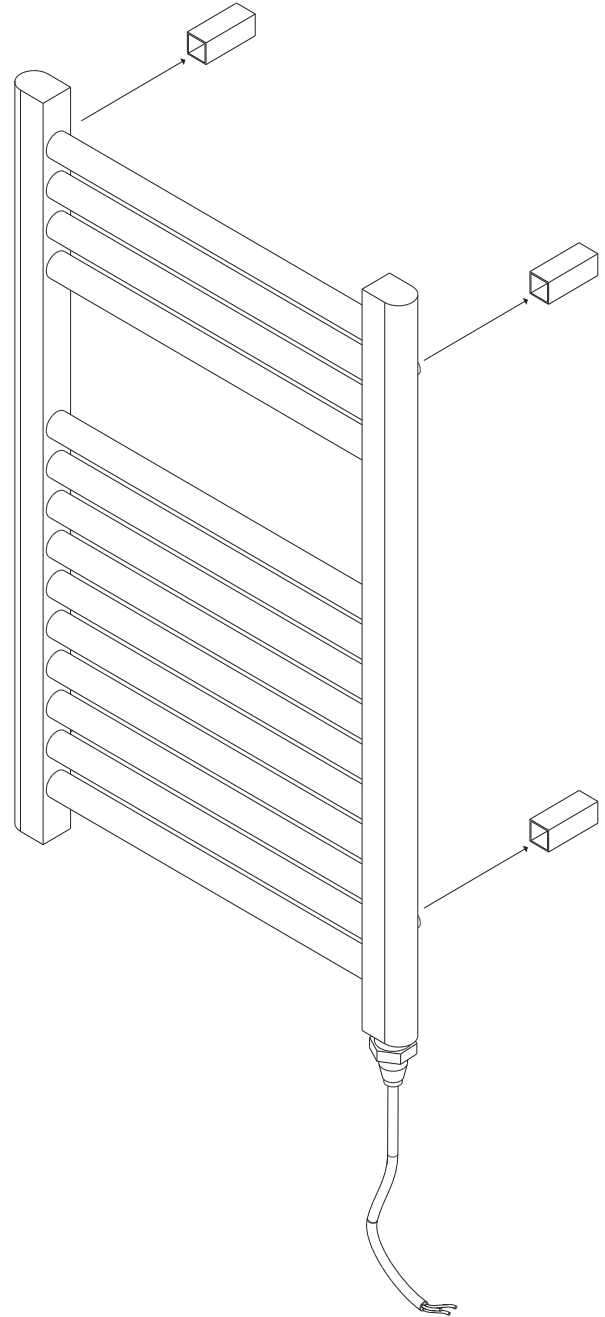
denby towel warmer,
hardwired

STEP 1

*DIMENSIONS ARE APPROXIMATE FOR
BLOCKING PURPOSES, PLEASE MEASURE UNIT



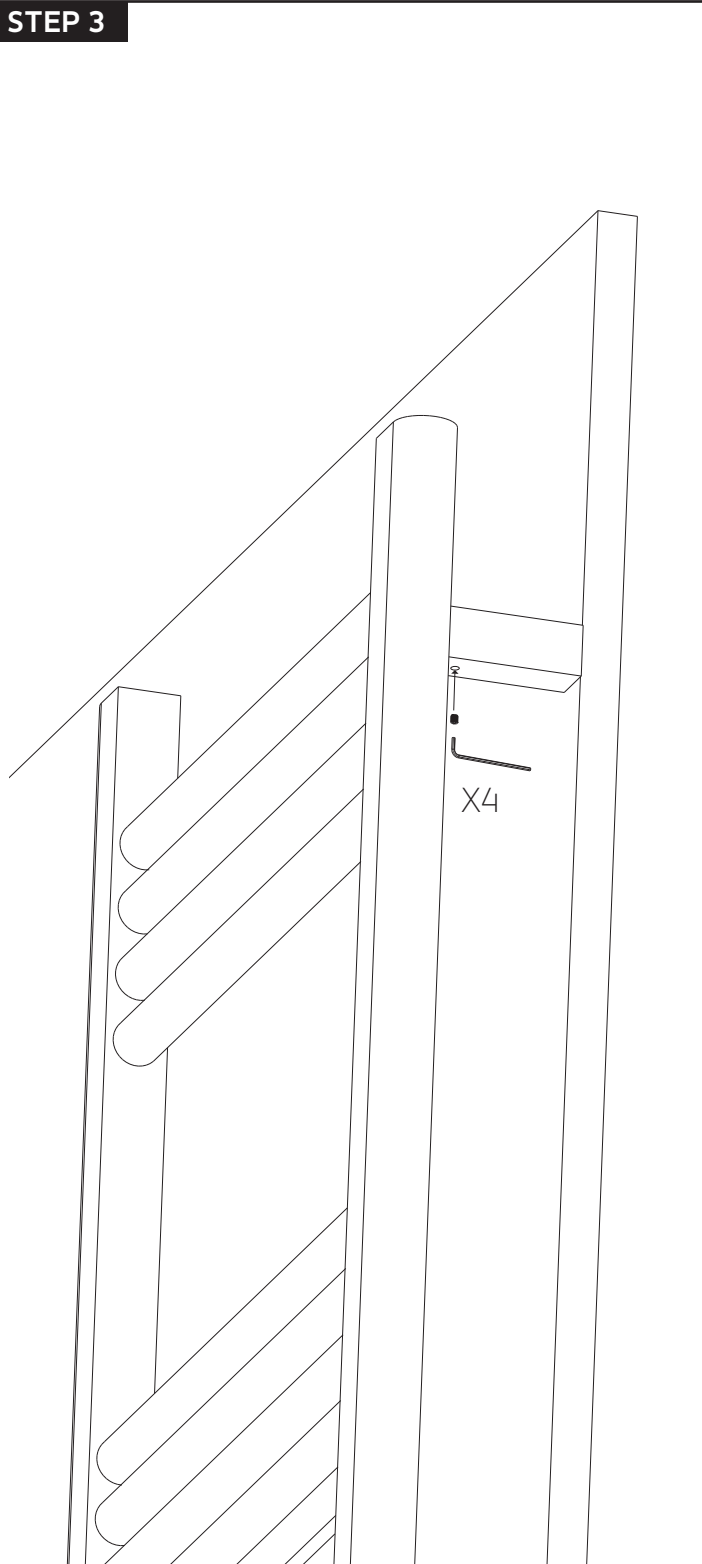
STEP 2



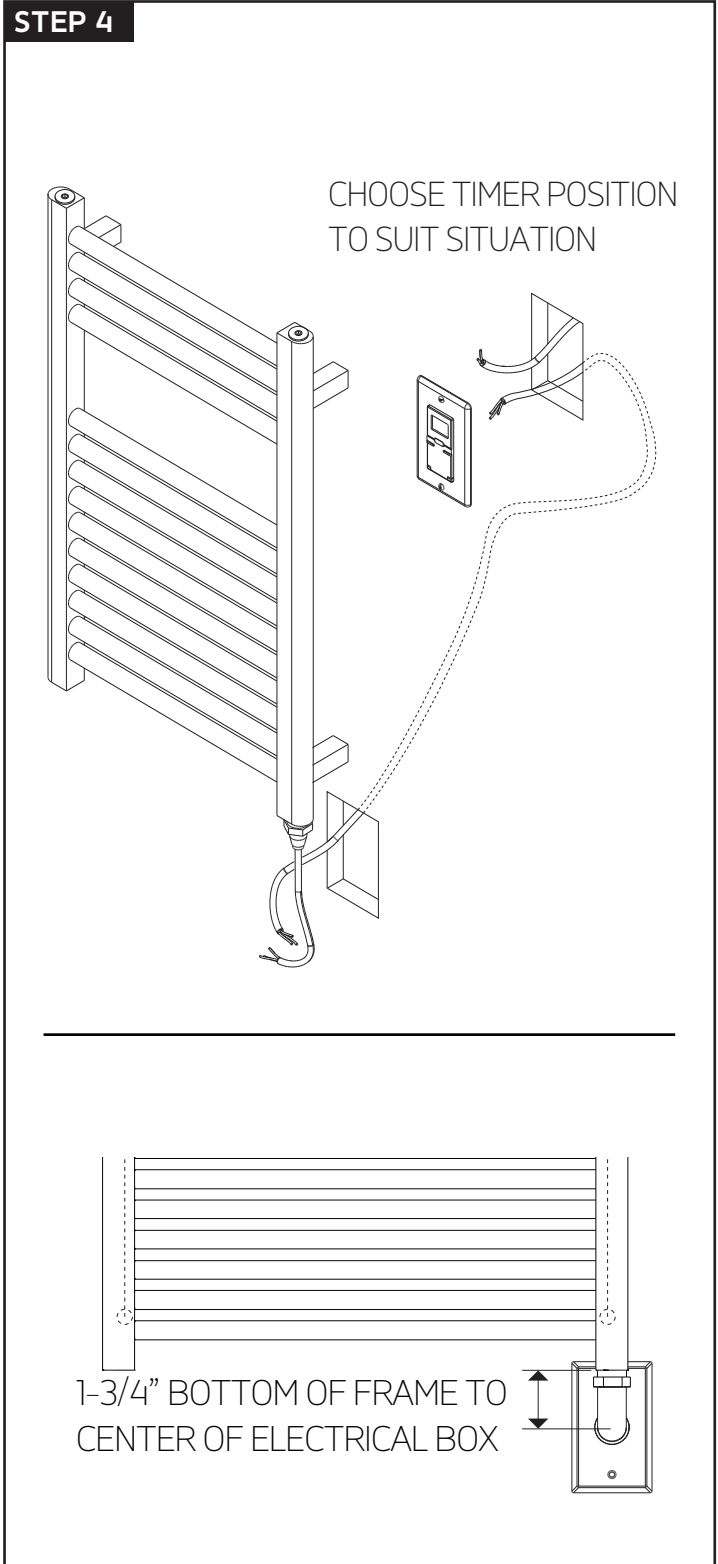
WE RECOMMEND THAT AT LEAST
2 OF THE WALL BRACKETS ARE
SECURED INTO A STUD OR BACKER

INSTALLATION STEPS

STEP 3



STEP 4



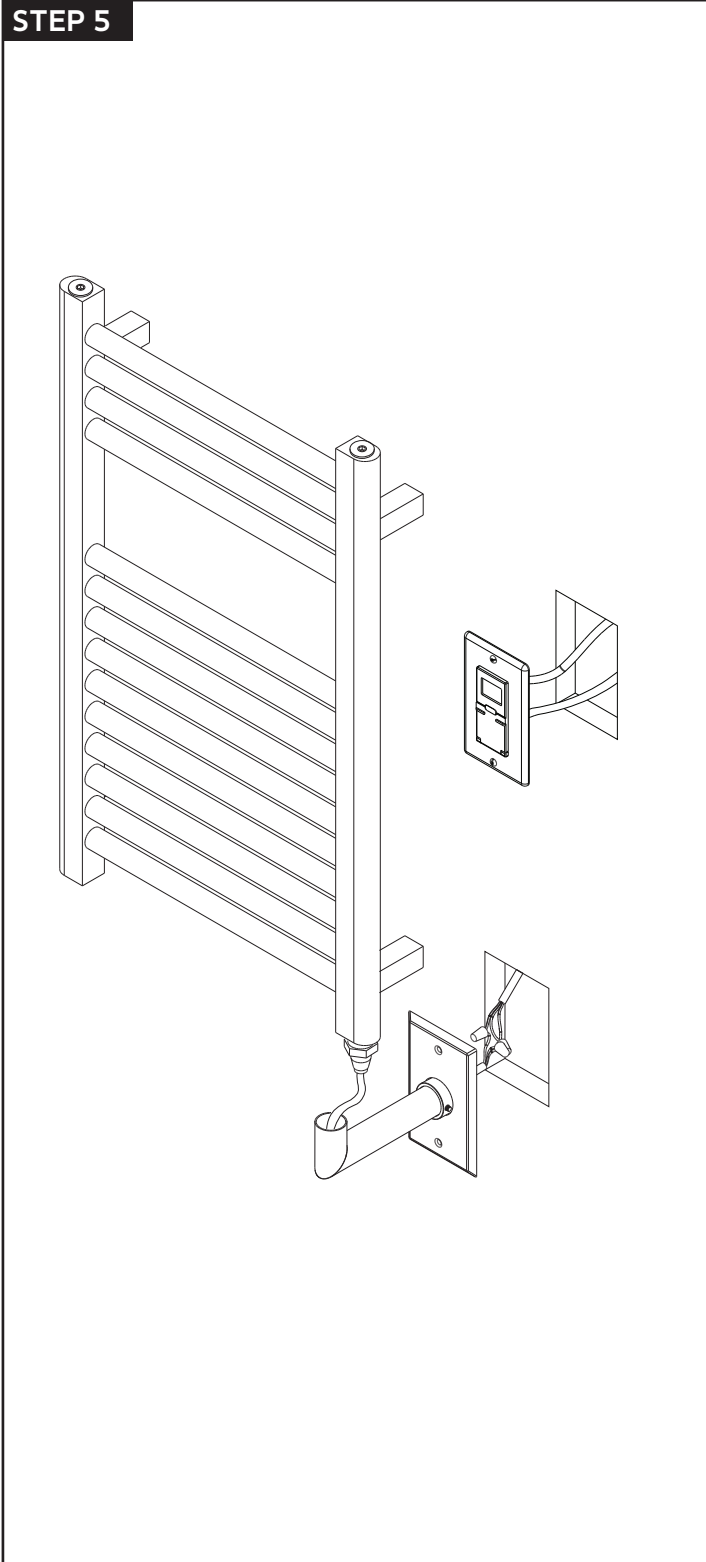
artos[®]

M06845W

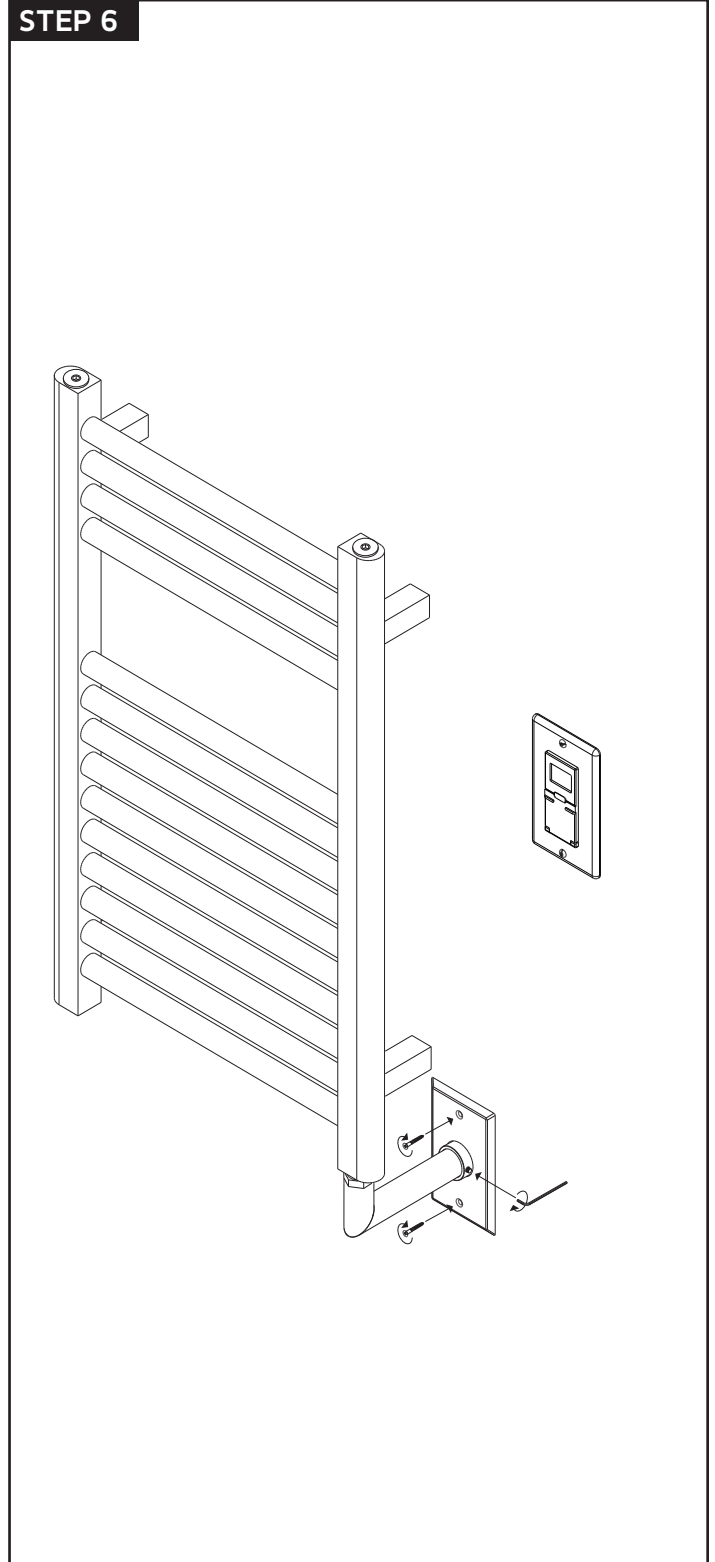
denby towel warmer,
hardwired

INSTALLATION STEPS

STEP 5



STEP 6

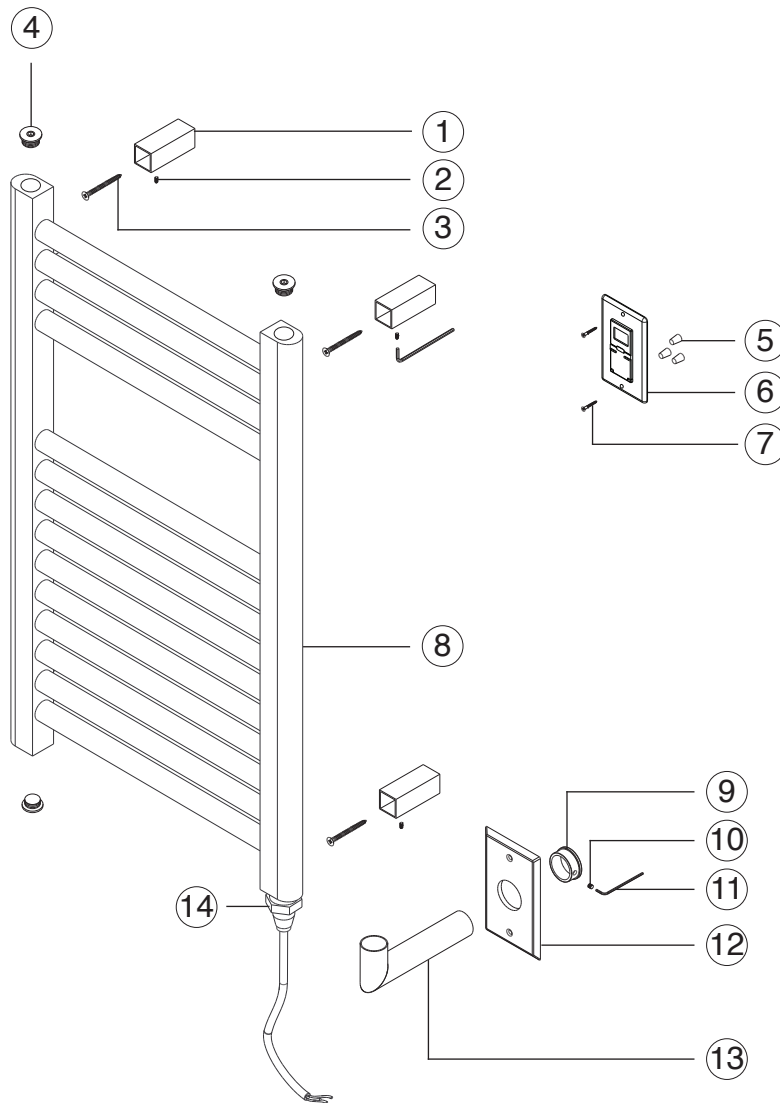


artos[®]

M06845W

denby towel warmer,
hardwired

PARTS BREAKDOWN



- ① WALL BRACKET(4)
- ② BRACKET SET SCREW(4)
- ③ BRACKET SCREW(4)
- ④ BLANKING CAP(3)
- ⑤ WIRE NUTS(3)
- ⑥ TIMER
- ⑦ TIMER SCREWS(2)
- ⑧ TOWEL WARMER
- ⑨ ELBOW SECURING SLEEVE
- ⑩ ELBOW SET SCREW
- ⑪ ALLEN WRENCH
- ⑫ BACKPLATE
- ⑬ ELBOW
- ⑭ ELEMENT