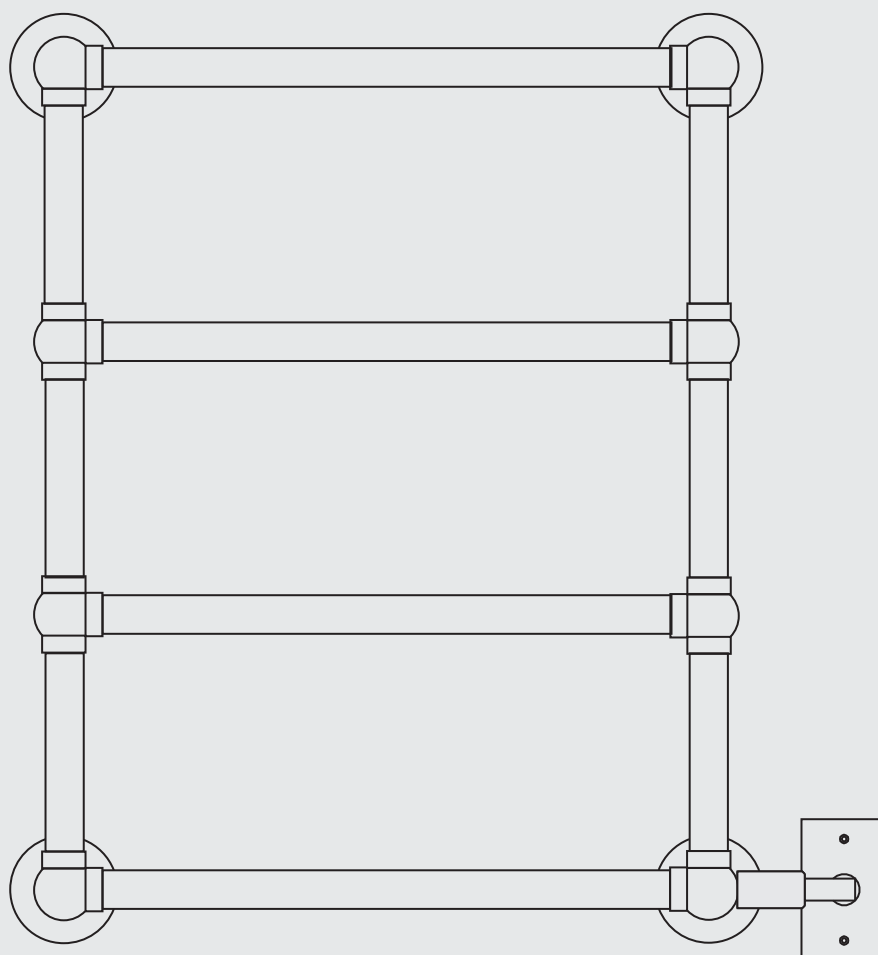


INSTALLATION INSTRUCTIONS

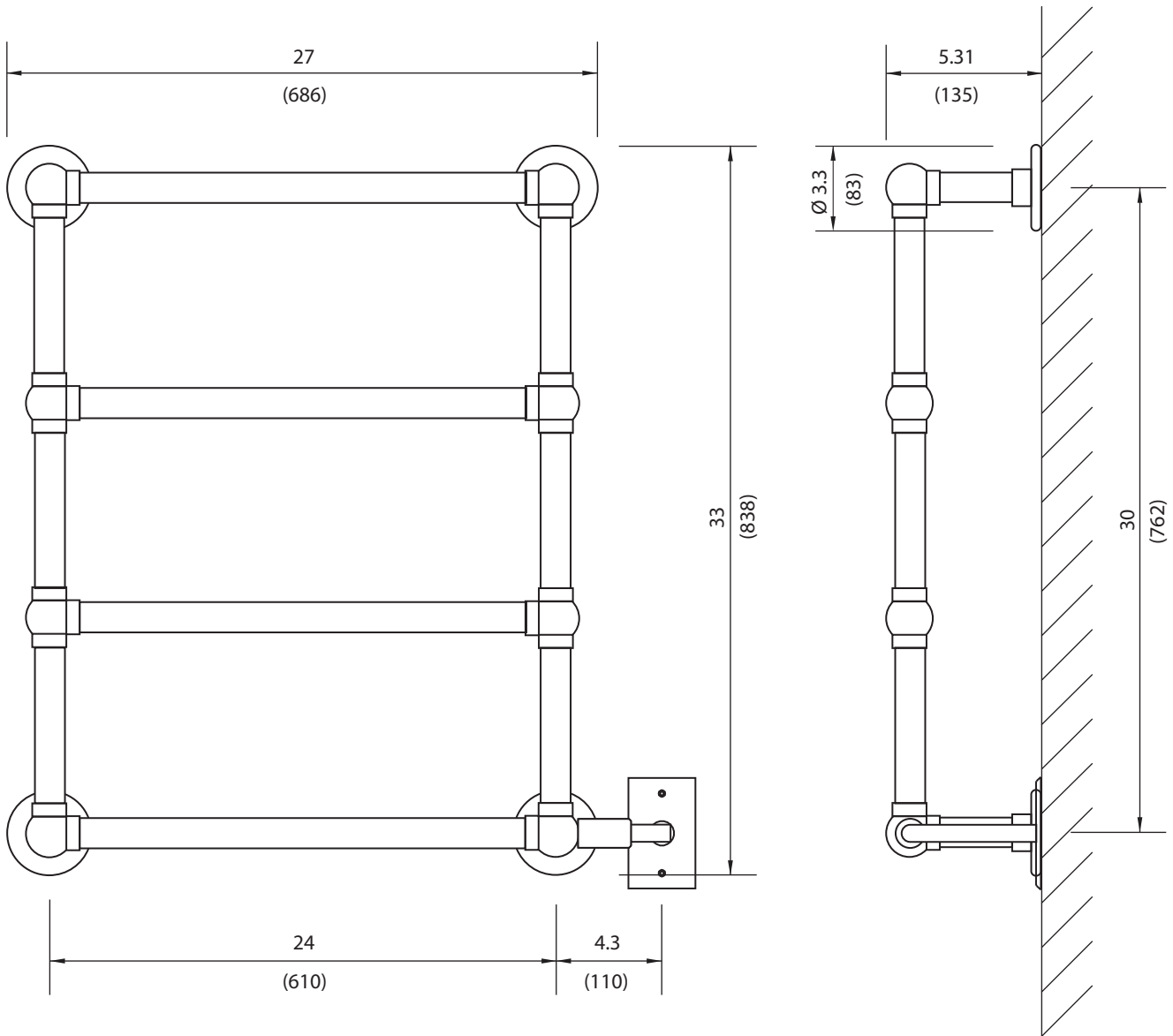
# LB 3200

CLASSIC BALL JOINTED WALL MOUNTED TOWEL WARMER



LEFROY BROOKS

# Dimensions in Inches (& Millimetres)



Whilst every effort is made to ensure accuracy, design and dimensions are subject to change without notice as part of the company's product development process.

## Maintenance

---

Your new towel warmer is designed for years of trouble-free performance. Keep it looking new by cleaning it periodically with a soft cloth. Avoid abrasive cleaners, wire wool and harsh chemicals as those will dull the finish and void your warranty.

## Safety Tips

---

**Read these instructions carefully. Keep these Instructions. These products are intended for indoor use only.**

This appliance is intended for adult use, unless they have been given supervision or instruction concerning the use a person responsible for their safety. Children should always be supervised to ensure that they do not play with the appliance.

**Power cord connection via 3 -pin plug:** Do not abuse the power cord. Disconnect from supply by carefully pulling the body of the plug. If the supply cord becomes damaged, the heater unit must be replaced by the manufacturer, its service agent or similarly qualified person in order to avoid a hazard. A 3-pin receptacle with a grounded (earth connection) shall be used. A short power supply cord is provided to reduce the risks resulting from becoming entangled in or tripping over a longer cord. The use of extension cords is not recommended.

**CAUTION: To provide continued protection against risk of electric shock, connect to properly grounded outlets only.**

**Permanent hard wired connection:** This must be installed by licensed electrician. The electricity supply must be disconnected during installation. A grounded supply must be used. Refer to Page 3. If the supply cord becomes damaged, the heater unit must be replaced by the manufacturer, its service agent or similarly qualified person in order to avoid a hazard. A short power supply cord is provided to reduce the risks resulting from becoming entangled in or tripping over a longer cord. The use of extension cords is not recommended. Ensure that all electrical connections are made in accordance with local and national electrical codes.

**Important:** All models, regardless of size, have similar surface temperatures, which is not detrimental to towels or similar fabrics.

- DO NOT** apply more than two layers of towels per rail.
- DO NOT** stand on, or place excessive weight on the towel warmer.
- DO NOT** install the towel rail in or near a shower or water spray

**WARNING:** To avoid possible fire hazard. The bottom right hand corner of the towel warmer contains the heater and electrical connections. Under no circumstances should the towel rail be situated in any other orientation.

**CAUTION: To provide continued protection against risk of electric shock, connect to properly grounded supply only.**

**All the above connection modes must be carried out by a licensed electrician and conform National/Local Electrical Codes.**

**The entire above electric towel rails conform to: UL499 -13thEd. 2012. & CSA 335-1 -3E rev.2008 CSA 335-2-43.2001**

# Installation Procedure

This installation must be carried out by a licensed electrician, complying with national/local codes. Before attempting installation, turn off the electricity supply.

## CAUTION:

To provide continued protection against risk of electric shock, connect to properly grounded supply only.

Means of disconnection from the electrical supply must be incorporated in the fixed wiring, isolating the towel rail from the supply by opening all live and neutral connections.

The towel rail must be supplied via a 15Amp Ground Fault Circuit Interrupter (GFCI) - with a sensitivity of 4 -6mA. or 2A Fuse - 150W rated.

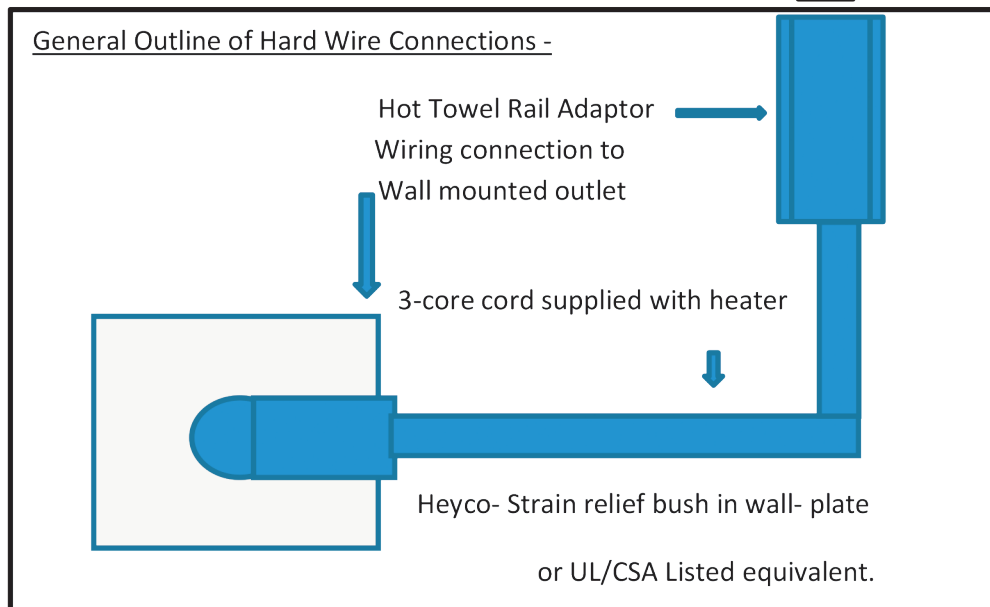
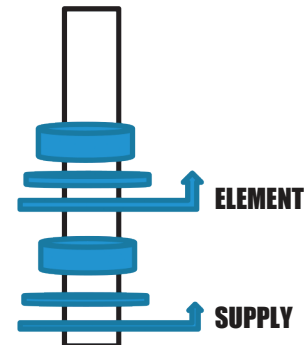
All protection devices and ratings, including fuses, must comply with National/local Electrical Codes.

## WIRING CONNETIONS:

Cable colours:       BLACK WIRE - LIVE/HOT  
                              WHITE WIRE - NEUTRAL  
                              GREEN WIRE - EARTH/GROUND

The heating element 'Hot', 'Neutral' & 'Ground' leads should be connected to the corresponding supply leads by aUL/NRTL - Recognised connection method.

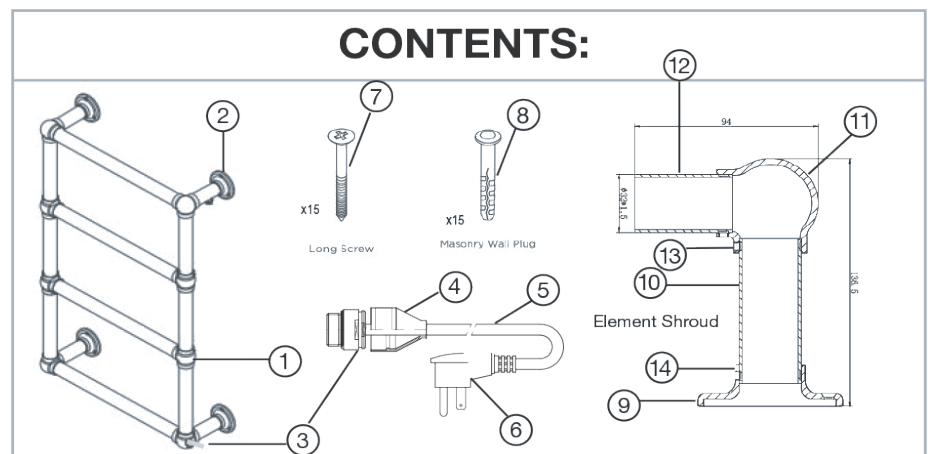
If a screw thread is used, the lead from the supply should be placed on the bottom, followed by a washer, a tightened nut, the lead from the heating element followed by a washer, and then a nut followed by tightening to secure.



# Installation Procedure STEPS 1-10

This installation must be carried out by a licensed electrician, complying with national/local codes. Before attempting installation, turn off the electricity supply.

- 1** Select the desired mounting position of radiator (1), ensuring bottom of the rail is at least **6-INCHES (150mm)** off the floor and align at least two brackets to the wall stud.
- 2** Use a level (not provided) to ensure radiator (1) straight
- 3** Mark through the 3 holes in each wall fixing bracket plate (2) with a pencil (not provided)
- 4** Using a Drill (not provided), drill the top 6 holes (2) - Tip: Drill 8mm diameter holes for masonry wall or 4 mm diameter holes for plasterboard with timber noggins.
- 5** Screw the wall support to the wall using six of the wall screw's (7) provided. Use the wall plug (8) if you are fixing into masonry and tighten fully.
- 6** Mark the bottom six holes of the wall screws (7), drill and fix in similar way as above.
- 7** The towel radiator should now be secure to the wall.
- 8** Click on Silver Cap (4) - **DO NOT** click on Cap if the Element shroud is to be used.
- 9** Plug in Socket Plug (6) to Electrical Wall Socket (not provided) and the radiator should begin heating
- 10 For Hardwire applications where Element shroud is used - see below:** The cable (5) will need to enter the wall approximately 2 3/4-inches from the exit point of the cable (3) from the towel radiator.
  - a** Carefully cut off / remove Socket Plug (6) from Cable (5) as close to the plug as necessary and remove click-on Cap from Cable entirely - discard the cable and cap.
  - b** Slide the Short (2-inches) Element Shroud Sleeve (12) and the Round knuckle joint (11) over the cable
  - c** Slide the Long (3 1/8-inches approx.) Element Shroud Sleeve (10) and the Wall Fixing Plate (9) over cable
  - d** Fasten the Short Sleeve (12), Knuckle (11) and the Long Sleeve (10) together by inserting one of the two Grub Screws into the Grub Screw Recess marked (13).
  - e** Slide the Element Shroud Wall Plate Fixing (9) over the cable and fix with grub screw marked at point (14). The Element Shroud should now be rigid. Offer up to wall, mark drilling holes and obtain centre point of the plate.
  - f** Mark the centre point - this is necessary for cable to enter the wall - drill carefully. Insert cable into wall for hardwiring by electrician. Drill 3 x holes through the wall fixing plate (9) for securing Element Shroud Wall Plate Fixing
  - g** Insert plugs and Screws and tighten to secure.



For additional assistance or service call

**718-302-5292**

9am to 5pm EST Monday to Friday



L E F R O Y B R O O K S

[www.lefroybrooks.com](http://www.lefroybrooks.com)

LEFROY BROOKS INC, 1828 TROUTMAN STREET, RIDGEWOOD, NY, 11385  
TELEPHONE: 718-302-5292. FAX: 718-302-4177

The use of trademarks, product design and artwork is subject to licence or agreement with Christo A. Lefroy Brooks. The design registrations, trademark registrations and copyrights are protected by law and the use or reproduction outside the terms of an agreement is prohibited. The right to modify designs and dimensions is reserved. Christo Lefroy Brooks is a member of ACID (Anti Copying in Design).

©CHRISTO A. LEFROY BROOKS 2014