



California Faucets®

K90-130/132

Kitchen/Prep Stationary Faucet Installation Instructions

CALIFORNIA FAUCETS RECOMMENDS THAT ALL PLUMBING PRODUCTS BE INSTALLED BY A LICENSED PROFESSIONAL

IMPORTANT: Read all instructions prior to installation and provide copy of instructions to consumer.

Operating Specifications:

Recommended Supply Pressure: 20 to 70 psi [1.4 to 4.8 bar] **

* Operating pressures between hot and cold supplies should vary no more than 30 psi [2.1 bar].

† If water pressure exceeds 70 psi [4.8 bar], install a Pressure-Reducing Valve (PRV).

I

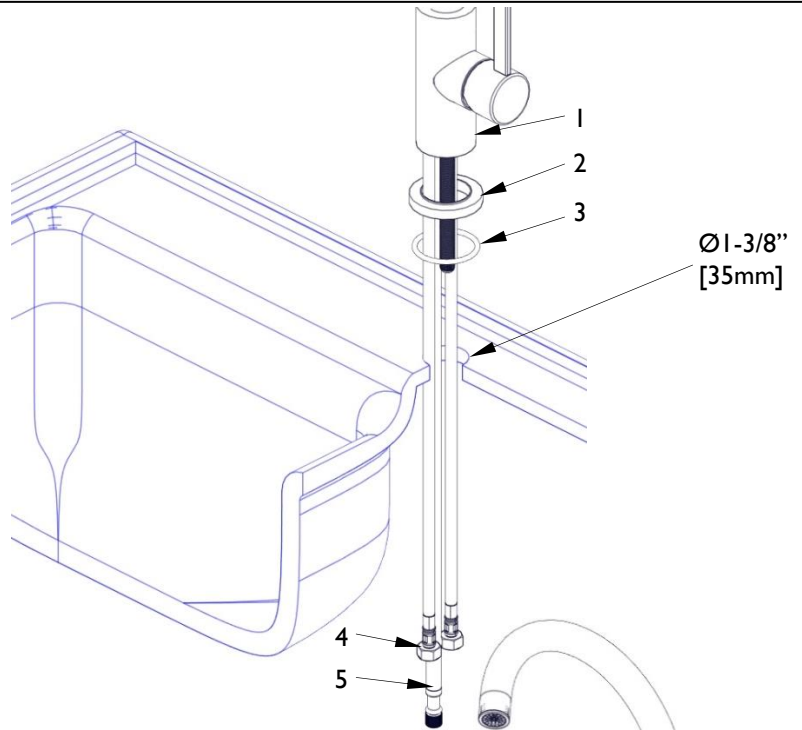
INSTALLING TO SINK/DECK

IMPORTANT: The recommended sink/deck through-hole shall be $\varnothing 1-3/8"$ [35mm]. Maximum sink/deck thickness should no greater than 2-1/4" [57mm]

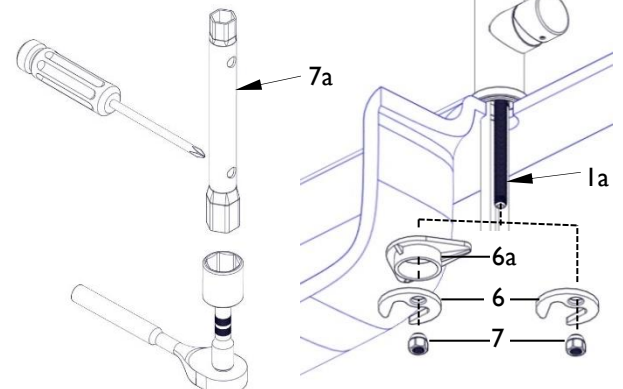
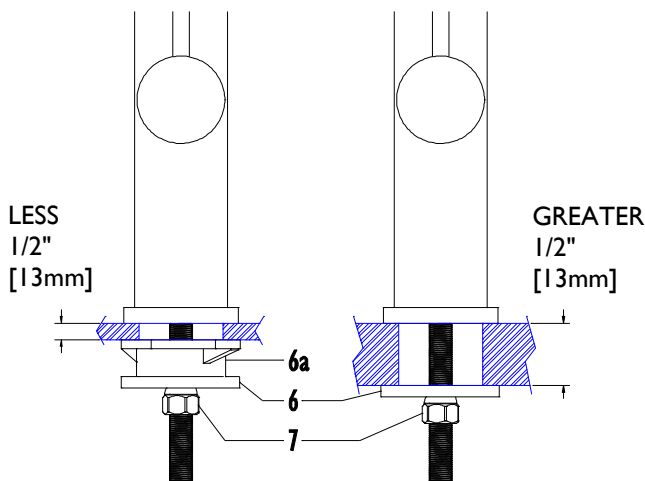
- Place **BASE (2)** with **O-RING (3)** onto **BODY (1)**
- Slide **INLET HOSES (4)** and **OUTLET HOSE (5)** through sink/deck hole

IMPORTANT: Based on sink/deck thickness the use of **SPACER (6a)** needs to be determined. If thickness is **LESS** than 1/2" [13mm] use **SPACER (6a)**, if **GREATER** than 1/2" [13mm] use only **MOUNT (6)**.

- From underside slide **SPACER (6a)**, in necessary, **MOUNT (6)** and **NUT (7)** onto **SHANK (1a)**; loosely tighten **NUT (7)**
- From topside position **BODY (1)** with handle on right side as shown and from underside securely tighten **NUT (7)**

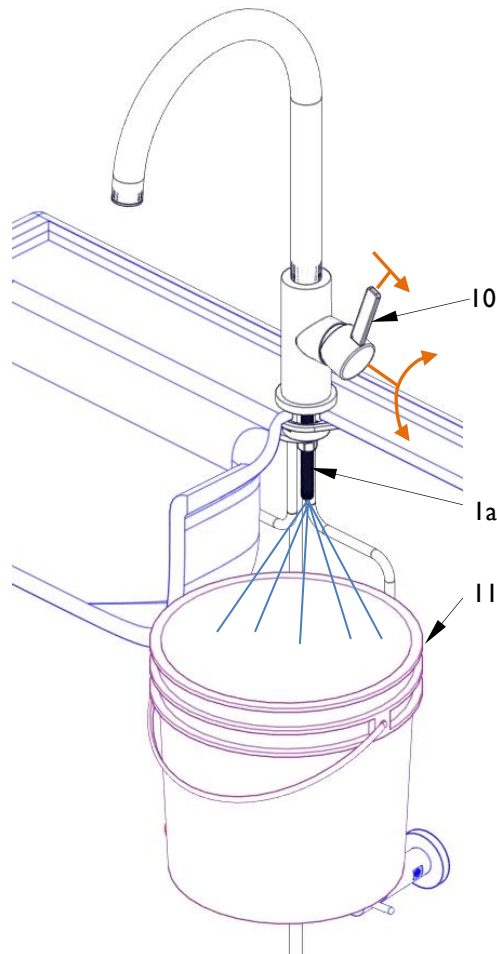
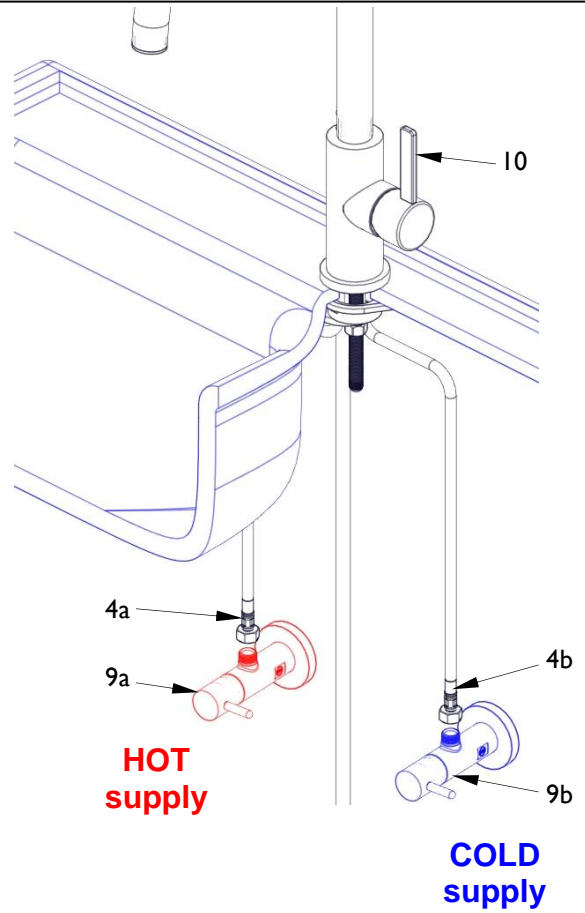


NOTE: Use **HEX TOOL (7a)** to tighten **NUT (7)** onto deck. Use a screwdriver or a 15/16\"



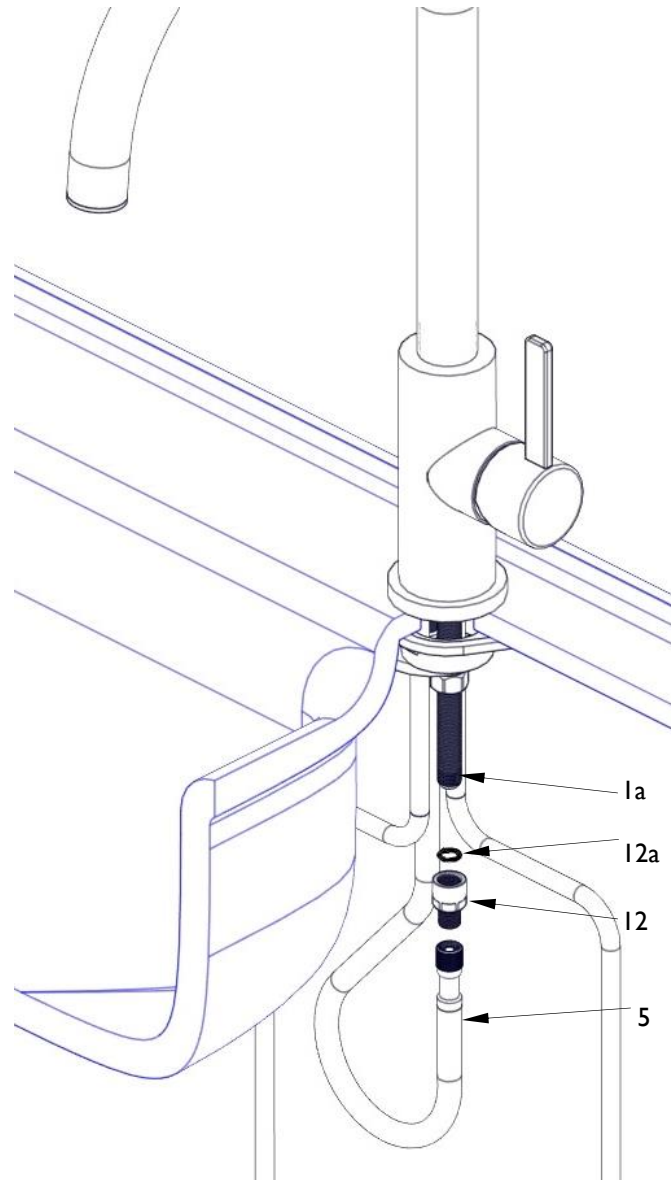
IMPORTANT: The water supplies MUST be flush of all debris prior to running water through the faucets OUTLET (8); the following procedure will ensure debris removal.

- Tighten **red** colored nut on **HOT INLET HOSE (4a)** to **HOT SUPPLY (9a)**
- Tighten **blue** colored nut on **COLD INLET HOSE (4b)** to **COLD SUPPLY (9b)**
- Ensure that faucet **HANDLE (10)** is in closed position as shown (straight up)
- Turn on **HOT** and **COLD SUPPLIES (9a) & (9b)**
- Place **BUCKET (11)** (not supplied) under **SHANK (1a)**
- Slowly open **HANDLE (10)** on faucet and cycle through cold and hot water until water runs clear



FINAL CONNECTIONS

- Ensure O-RING (12a) is in HOSE ADAPTER (12)
- Tighten HOSE ADAPTER (12) onto end of SHANK (1a)
- Attach OUTLET-HOSE (5) onto end of HOSE ADAPTER (12)



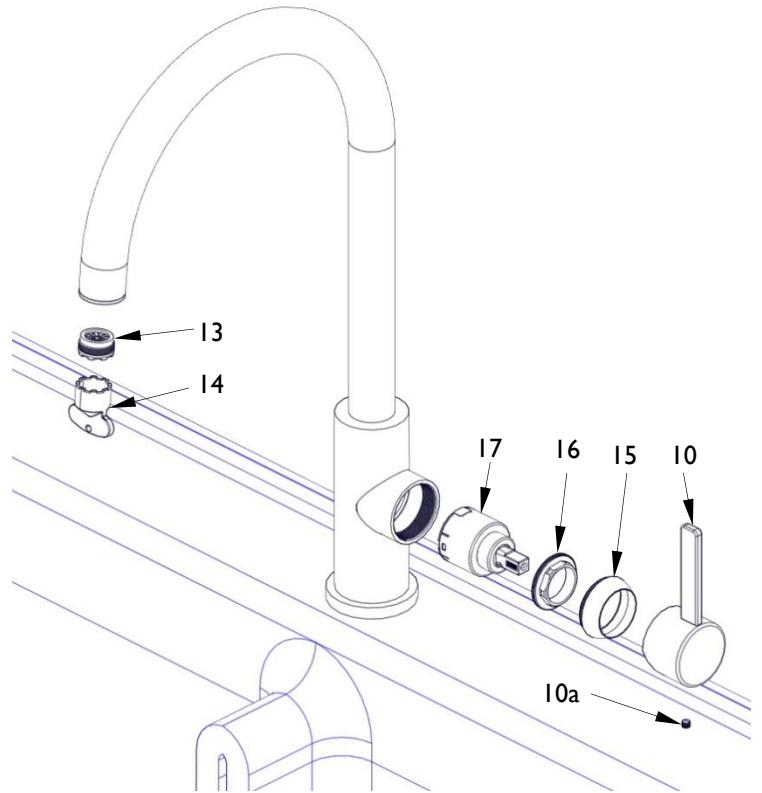
4 MAINTENANCE

AERATOR INSERT

- Remove AERATOR (13) using AERATOR KEY (14)
- Rinse AERATOR (13) with clean water to remove debris
- Replace all parts in opposite order as described above

CARTRIDGE

- Turn off **HOT** and **COLD** supply stops before proceeding
- Remove SETSCREW (10a) from HANDLE (10)
- Slide HANDLE (10) off
- Remove BONNET (15), PACKING NUT (16) and slide CARTRIDGE (17) out
- Rinse CARTRIDGE (17) with clean water to remove any debris
- Replace all parts in opposite order as described above



IMPORTANT: The PACKING NUT (12) must be securely tightened to prevent leaking. The tightening torque shall be 70-90 lbs.-in [8-10 Nm]. If CARTRIDGE (17) is overtightened, CARTRIDGE (17) may not function properly including possible damage to CARTRIDGE (17).