

# FTS100137

Modern Touch Activated Kitchen Faucet with  
Pulldown Spray

artos®

## INSTALLATION GUIDE



# FTS100137

Modern Touch Activated Kitchen Faucet with  
Pulldown Spray

artos®

## OPERATING SPECIFICATIONS



### OPERATING TEMPERATURE

Maximum: 176°

### OPERATING PRESSURE

Minimum: 20psi

Maximum: 125psi

Recommended: 25psi-70psi

### FLOW RATE

1.8 USGPM @ 60psi

### INSTALLATION DIMENSIONS

Max Countertop Thickness: 1 1/2"

Countertop Hole Dimension: 1-3/8"

Countertop Hole Stainless Steel Dimension: 1-3/4"

### FEATURES

Ceramic Disc Cartridge

Magnetic Docking Spray Head

Touch activated

### STANDARDS

Certified to CUPC

Certified to AB1953

Certified to NSF/ANSI 61

ADA for lever handle

To view all standards, please visit product approvals in our  
learning hub at [artos.us.com](https://artos.us.com)



2

WESTOVER, INC

4011 S 60TH ST, OMAHA, NE 68117

[WWW.ARTOS.US.COM](http://WWW.ARTOS.US.COM)

T: 402-397-3344

All technical specifications, product details, and pricing are subject to change without prior notice. Artos makes every effort to ensure accuracy; however, errors or omissions may occur. It is the responsibility of the installer, designer, or purchaser to verify all critical dimensions, installation requirements, and compliance with applicable codes prior to use.

Artos assumes no liability for damages, losses, or injuries resulting from the use of this documentation or from product installation, operation, or maintenance performed outside of Artos instructions and applicable codes. Product warranties are limited to those expressly stated by Artos. Please refer to official warranty documentation for complete terms and conditions.

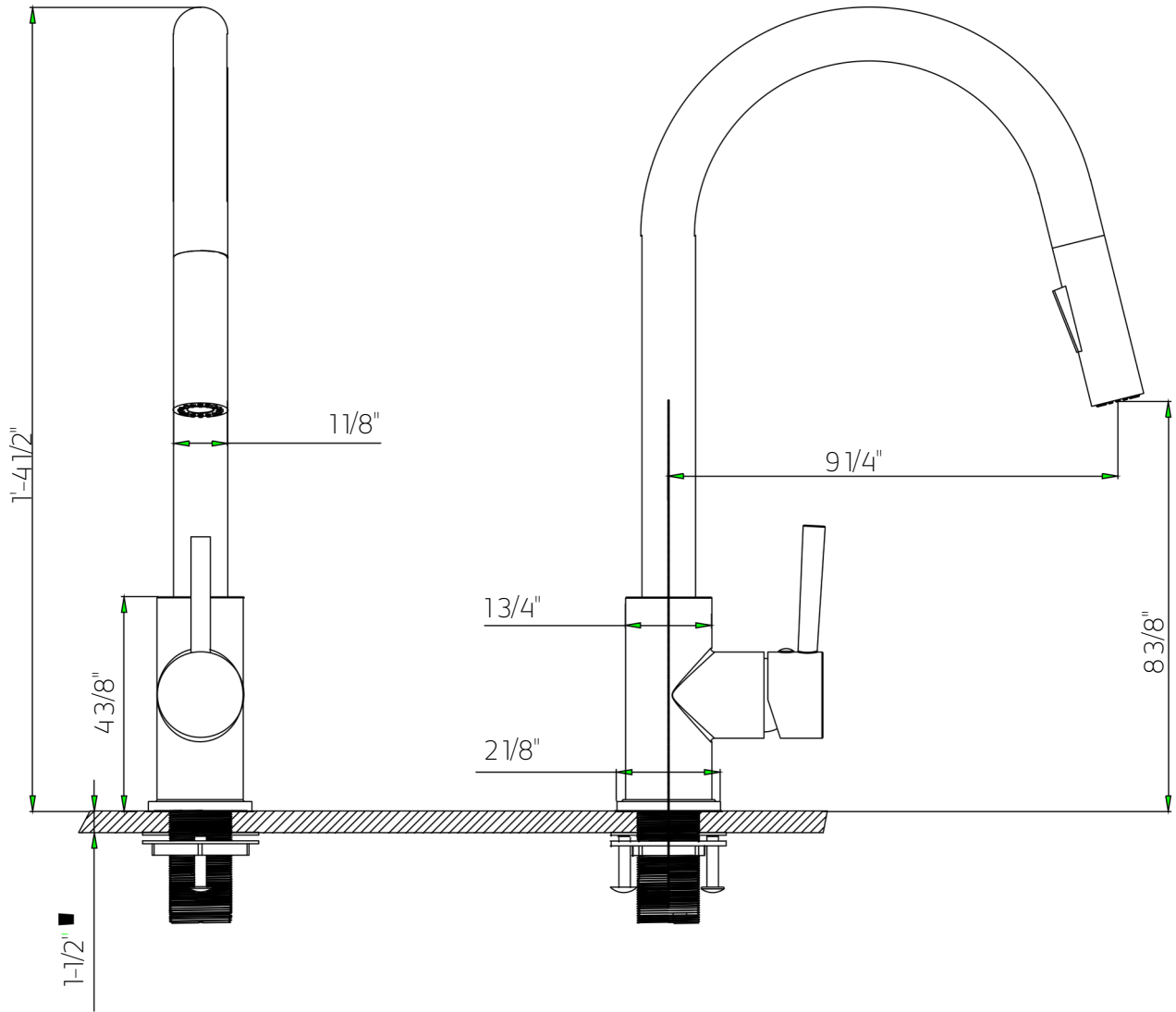
All drawings, manuals, and specifications are the property of Artos and may not be reproduced, distributed, or altered without prior written permission.

# FTS100137

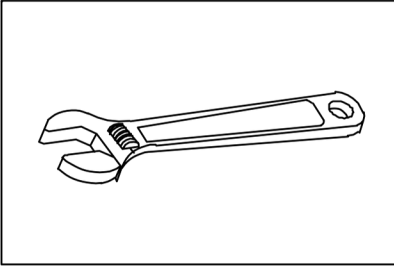
Modern Touch Activated Kitchen Faucet with  
Pulldown Spray

artos®

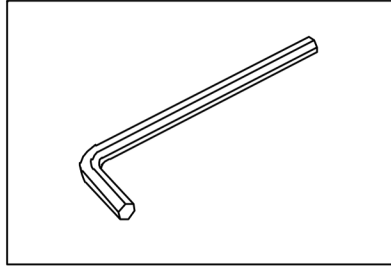
## PRODUCT DIMENSIONS



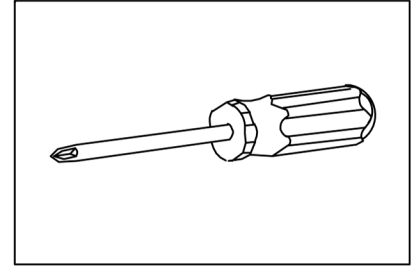
## TOOLS FOR INSTALLATION



**Adjustable wrench**



**Hexagon wrench**



**Philips screwdriver**

## INSTALLATION STEPS

1. Please check that all components are present.
2. Before installation, ensure that all feed lines are clear of debris and on/off valve is present.
3. Ensure water pressure is between 20-125 PSI (includes combination of hot and cold feed lines).
4. Pictures in the manual are general in content and may not represent exactly your purchased faucet. If you are having difficulties, please contact a professional plumber.
5. If you will be away from home for an extended period, you should shut off the main water supply

# FTS100137

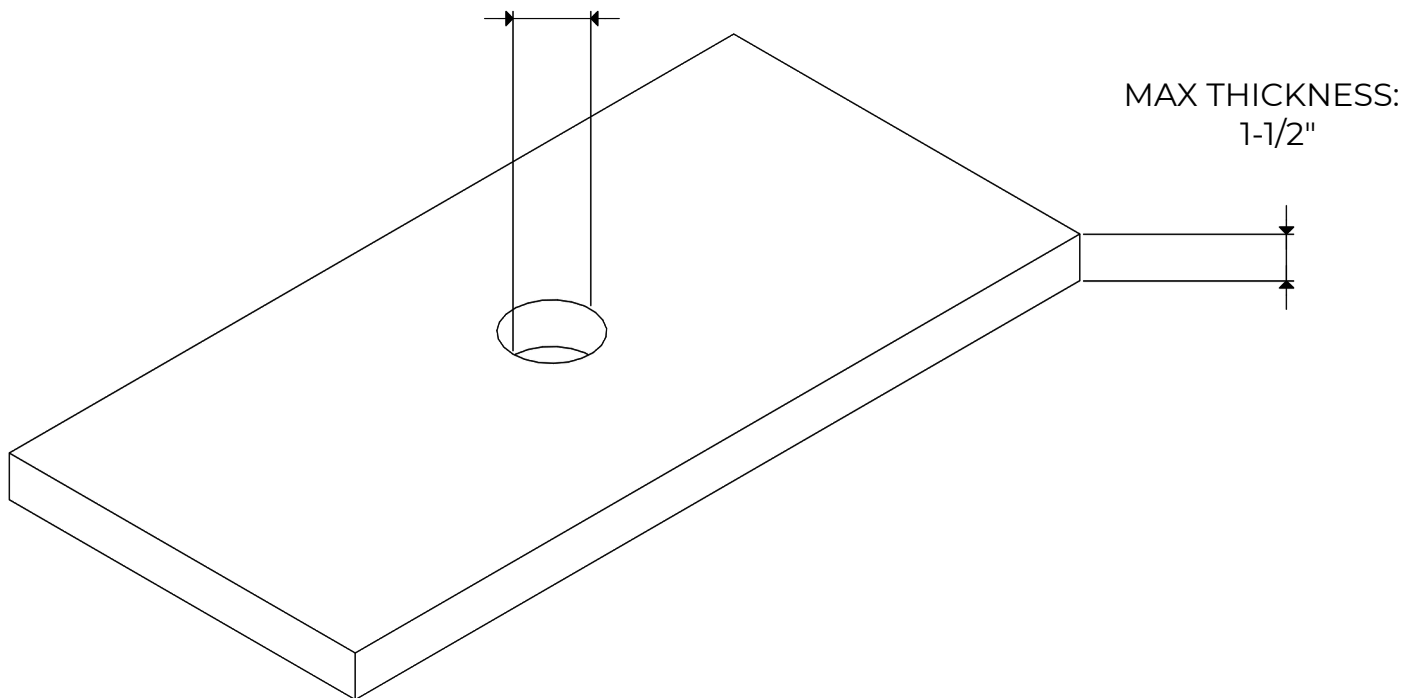
Modern Touch Activated Kitchen Faucet with  
Pulldown Spray

artos®

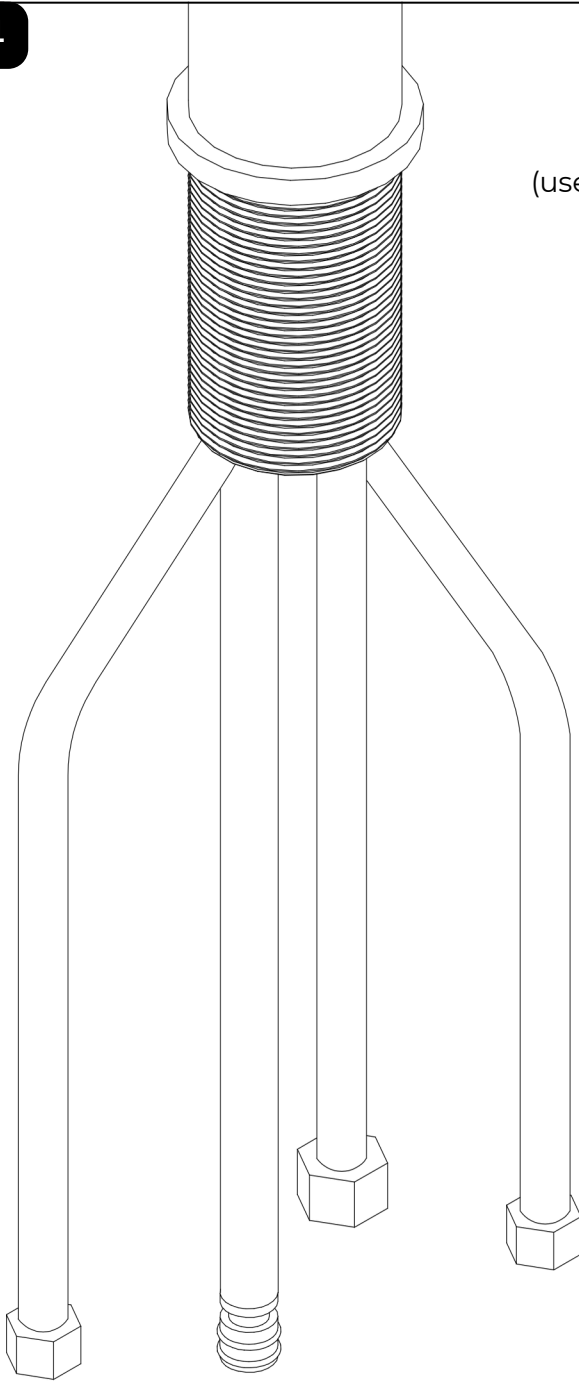
## INSTALLATION GUIDE

**\*IMPORTANT - PLEASE PAY ATTENTION TO THIS PRIOR TO INSTALLATION\***

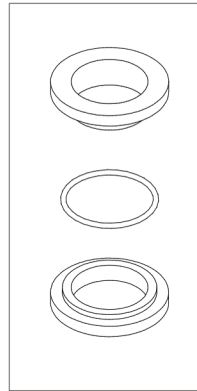
DIAMETER: 1-3/4" (FOR STAINLESS STEEL  
SINKS) 1-3/8" (FOR NON STAINLESS STEEL  
SINKS)



**STEP 1**



insulating washer assembly  
(use only on stainless steel surfaces)



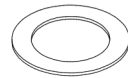
← top base

← o-ring

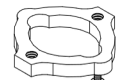
← lower base



← rubber washer



← metal washer

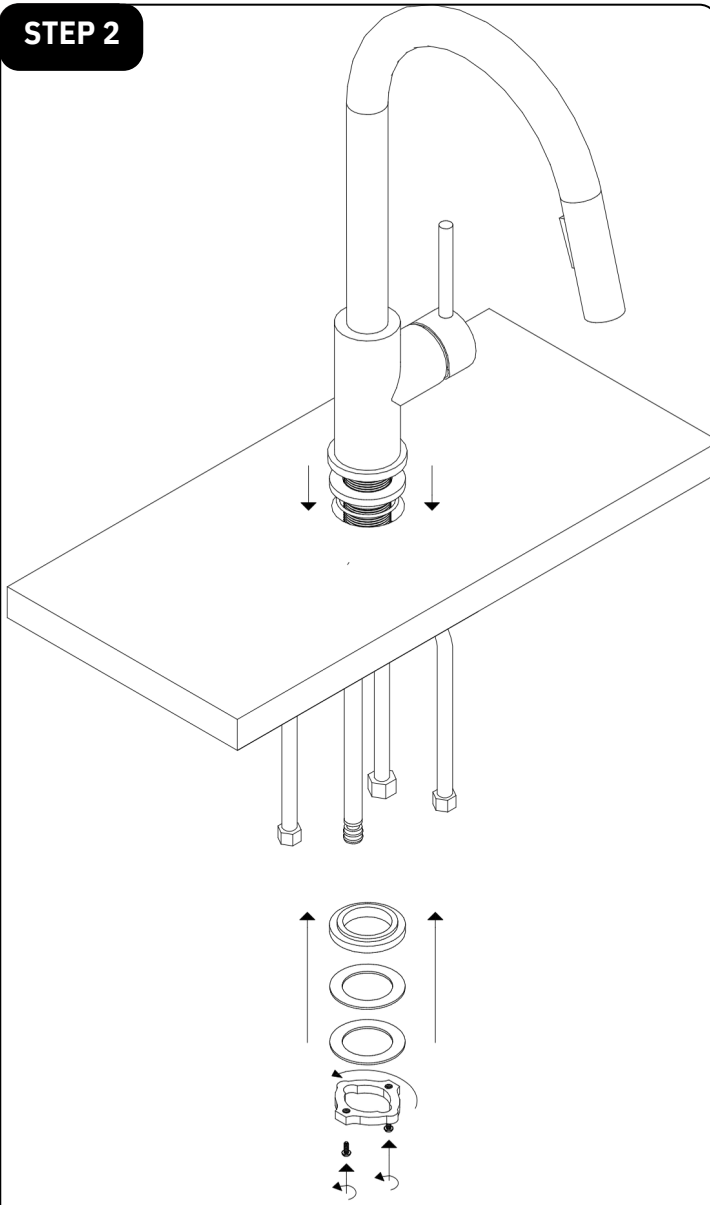


← securing nut



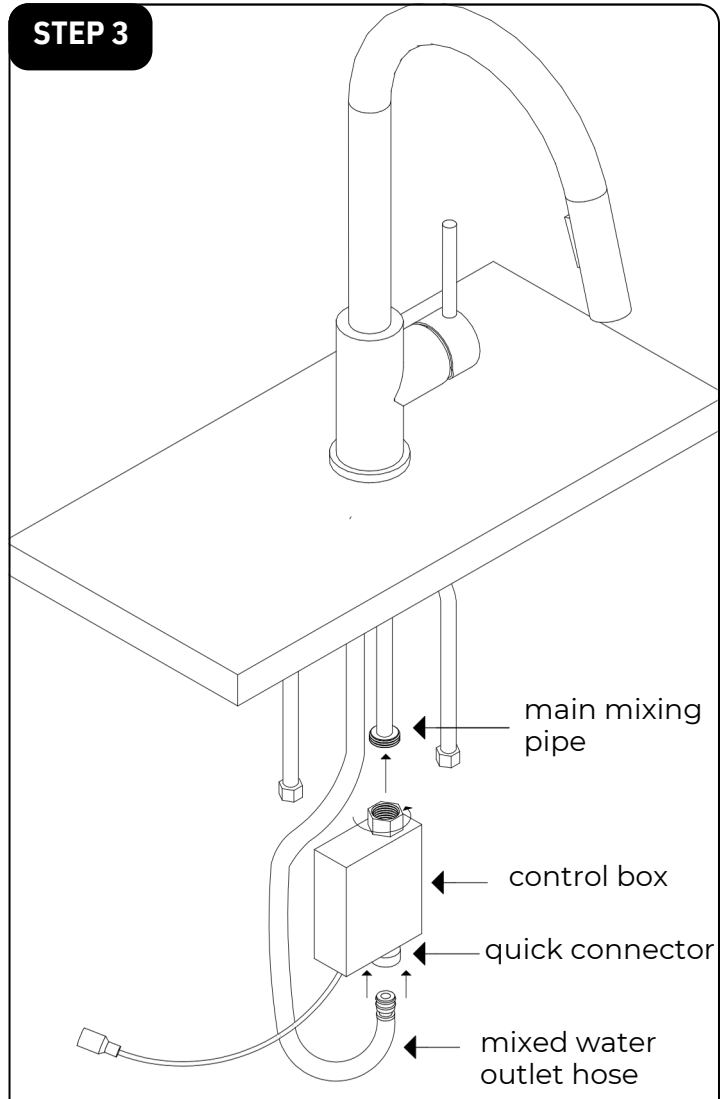
**Remove the securing nut, metal washer, and rubber washer. If installing on a stainless steel surface, remove the insulating washer assembly from the packaging.**

**STEP 2**



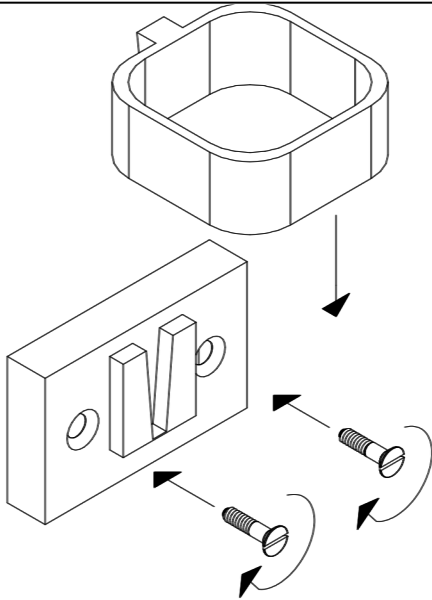
**Install faucet through counter top hole, install insulating washer assembly (stainless steel installs only), rubber washer, metal washer, and securing nut (hand tight). Tighten the securing nut screws with a screwdriver.**

**STEP 3**



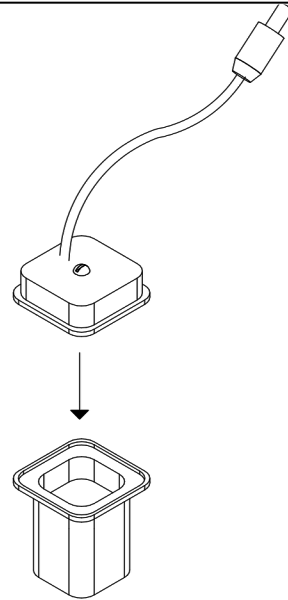
**Attach the control box to the main mixing pipe and insert the mixed water outlet hose into the quick connector on the bottom.**

**STEP 4**



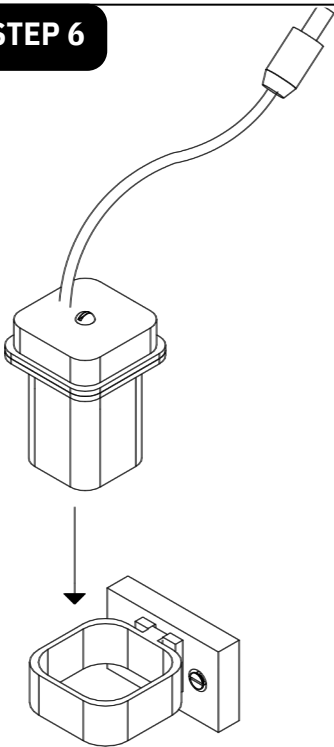
Place the battery holder in an appropriate position on the wall. Fix in with screws.

**STEP 5**



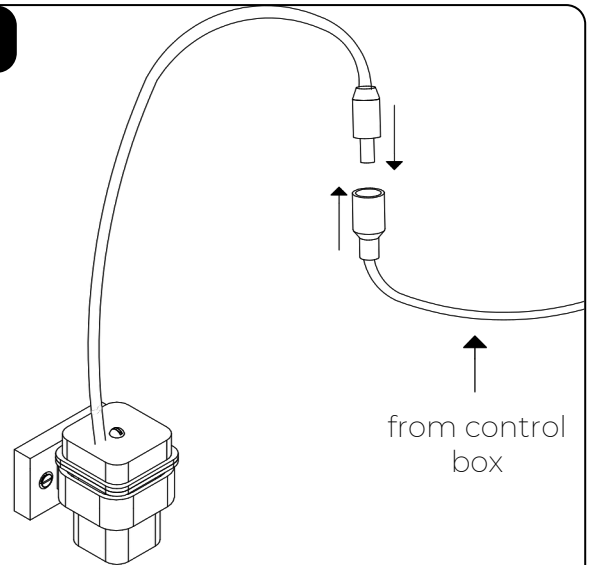
Unscrew and remove the battery box cover, put 4 AA batteries into the box and re-assemble.

**STEP 6**



Put the battery box into the battery holder.

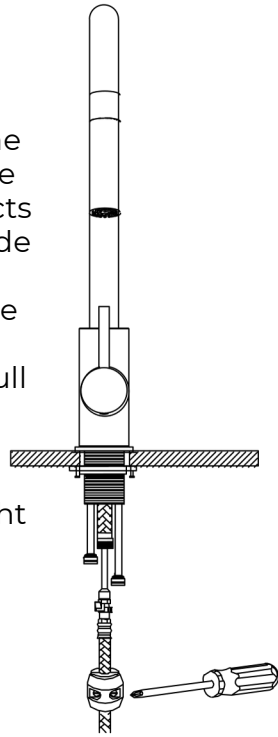
**STEP 7**



Connect control box to the battery box.

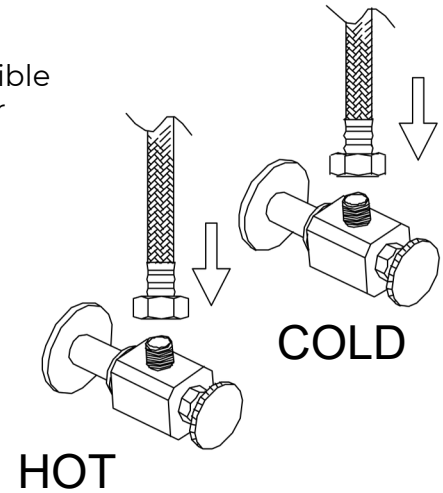
**STEP 8**

**5.** Proper installation of the hose weight kit will ensure that the spray head retracts smoothly. On the spray side of the hose, measure 15" down from the body of the faucet. Install the hose weight kit at this point. Pull out on the spray head. It should move easily and retract smoothly. Reposition the hose weight kit as necessary.



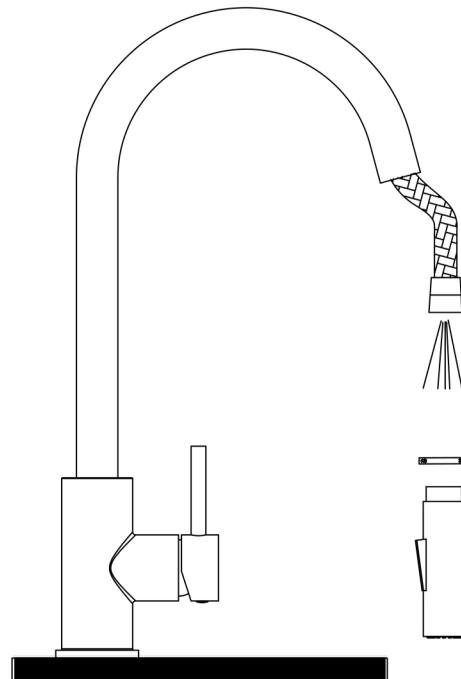
**STEP 9**

**6.** Attach flexible hose to water supply.



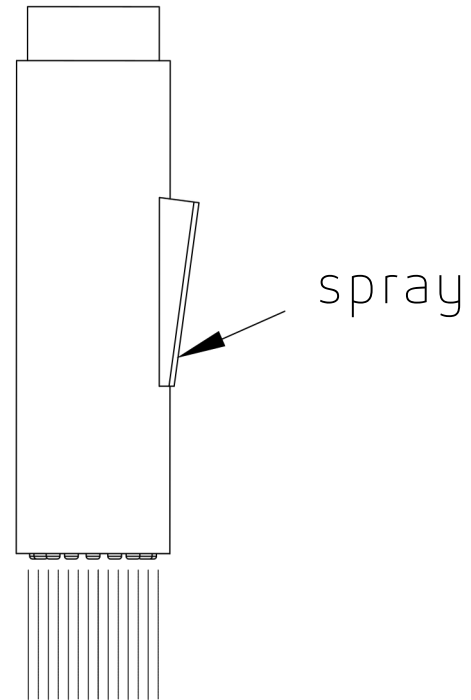
**STEP 10**

**7.** Hold onto the spray-head hose, unscrew the spray head, and remove it along with the rubber washer. Turn on the faucet to flush the hose and feed line for 1-minute to flush debris. Turn off the faucet and re-install the rubber washer and spray head.



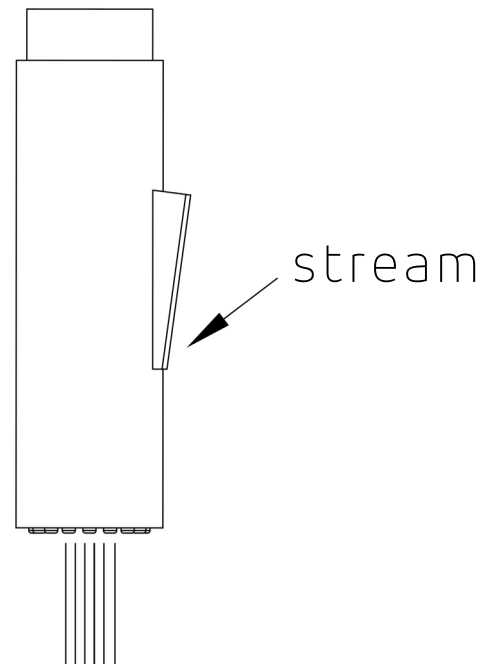
## STEP 11

**8.** Turn the faucet on and press the top of the spray head button to change to the spray.



## STEP 12

**9.** Turn the faucet on and press the bottom of the spray head button to change to stream.

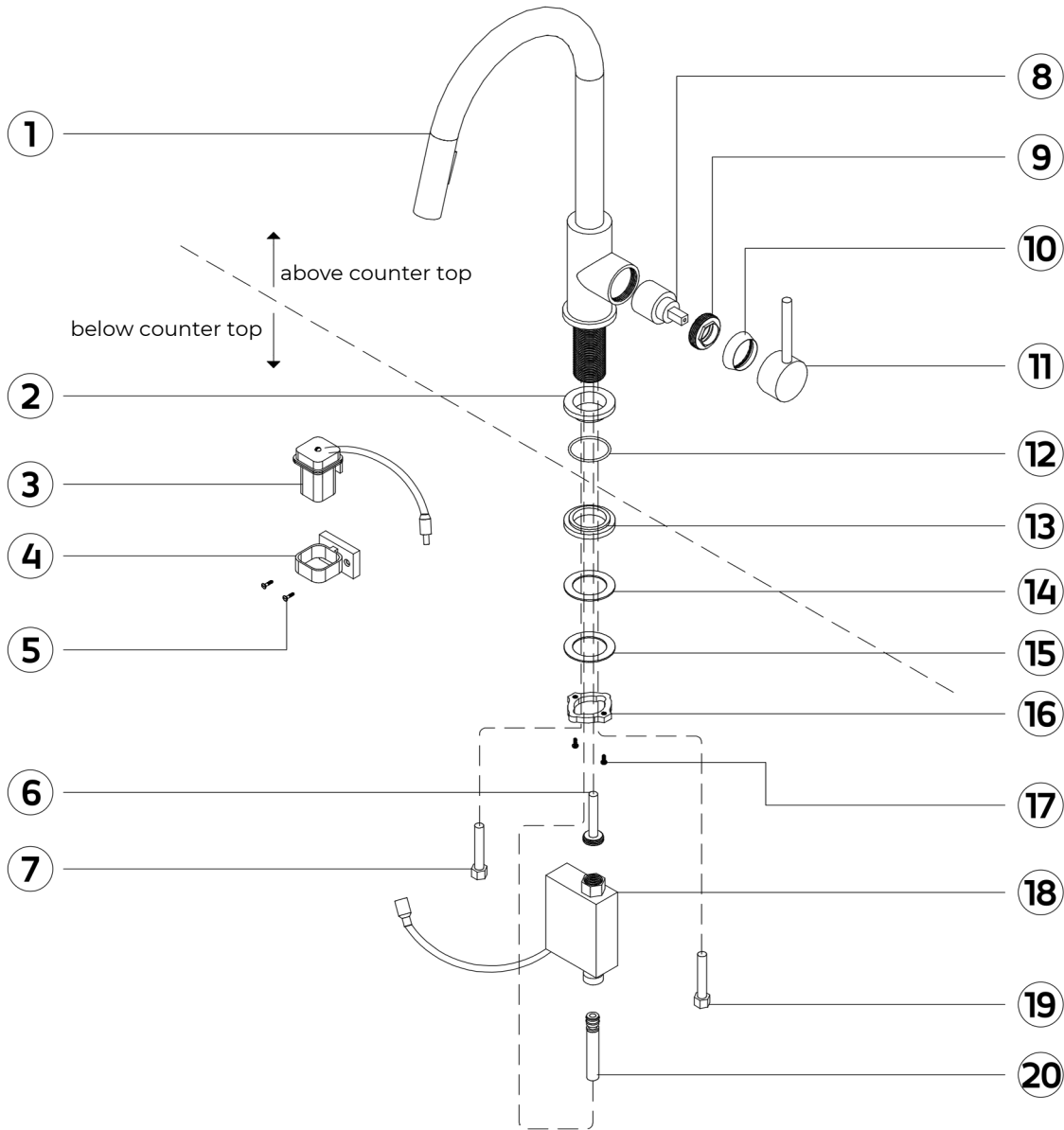


# FTS100137

artos®

Modern Touch Activated Kitchen Faucet with  
Pulldown Spray

## PARTS BREAKDOWN



- |                                 |                             |
|---------------------------------|-----------------------------|
| ① FAUCET BODY: FTS100137        | ⑪ HANDLE                    |
| ② TOP INSULATING WASHER*        | ⑫ INSULATING WASHER O-RING* |
| ③ BATTERY BOX                   | ⑬ BOTTOM INSULATING WASHER* |
| ④ BATTERY BOX HOLDER            | ⑭ RUBBER WASHER             |
| ⑤ BATTERY BOX HOLDER SCREWS (2) | ⑮ METAL WASHER              |
| ⑥ MAIN MIXING PIPE              | ⑯ SECURING NUT              |
| ⑦ HOT WATER SUPPLY HOSE         | ⑰ SECURING NUT SCREWS (2)   |
| ⑧ CARTRIDGE: XP-12828           | ⑱ CONTROL BOX               |
| ⑨ CARTRIDGE SECURING NUT        | ⑲ COLD WATER SUPPLY HOSE    |
| ⑩ DRESS RING                    | ⑳ MIXED WATER OUTLET HOSE   |

\*COMPONENTS FOR STAINLESS STEEL SINKS

11