

FS326

Opera 8" Widespread Bathroom Faucet With
Disc Handles

artos®

INSTALLATION GUIDE



FS326

Opera 8" Widespread Bathroom Faucet With Disc Handles

artos®

OPERATING SPECIFICATIONS

OPERATING TEMPERATURE

Maximum: 176°

OPERATING PRESSURE

Minimum: 15psi

Maximum: 75psi

Recommended: 20psi-70psi

Above 90psi, it may be necessary to install a pressure reducer

FLOW RATE

1.2 USGPM

INSTALLATION DIMENSIONS

Hole Diameter: 1 1/4" x3

Maximum Surface Thickness: 2"

FEATURES

Quick Connect Valve Bodies and Umbrella Drain Included

Rotating Spout Design

Multiple Handle Options Included

STANDARDS

To view all standards, please visit product approvals in our learning hub at artos.us.com



All technical specifications, product details, and pricing are subject to change without prior notice. Artos makes every effort to ensure accuracy; however, errors or omissions may occur. It is the responsibility of the installer, designer, or purchaser to verify all critical dimensions, installation requirements, and compliance with applicable codes prior to use.

Artos assumes no liability for damages, losses, or injuries resulting from the use of this documentation or from product installation, operation, or maintenance performed outside of Artos instructions and applicable codes. Product warranties are limited to those expressly stated by Artos. Please refer to official warranty documentation for complete terms and conditions.

All drawings, manuals, and specifications are the property of Artos and may not be reproduced, distributed, or altered without prior written permission.

FS326

Opera 8" Widespread Bathroom Faucet With
Disc Handles

INDEX

Product Dimensions.....pg:4

Opera 8" Widespread Bathroom Faucet With Disc Handles FS326 Installation.....pg:5-9

Parts Breakdown FS326.....pg:10

Umbrella Drain Installation F910-12.....pg:11-13

Parts Breakdown Umbrella Drain F910-12.....pg:14

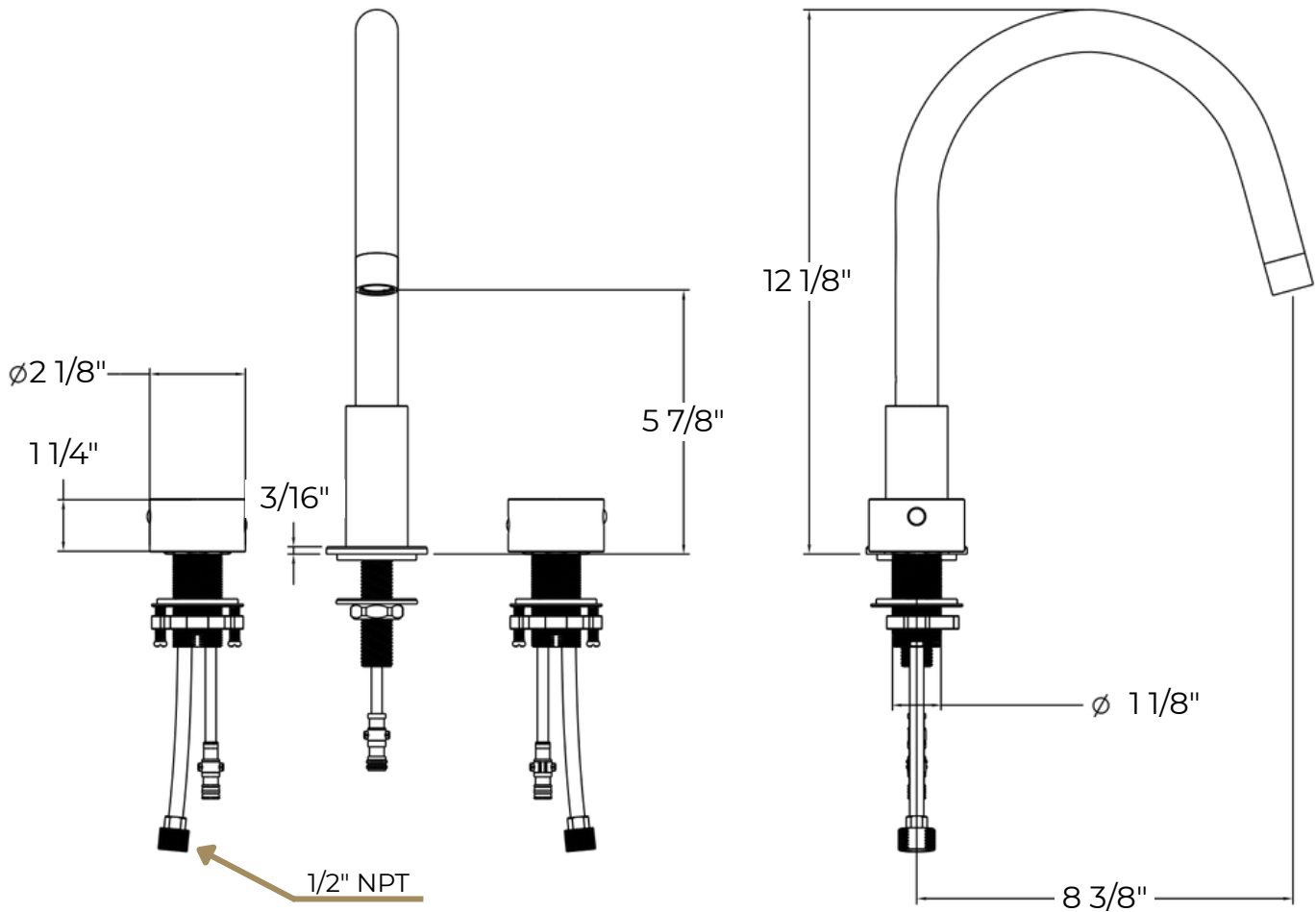
Parts Summary FS326.....pg:15

FS326

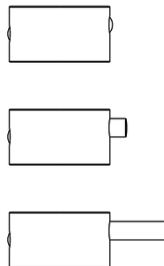
Opera 8" Widespread Bathroom Faucet With Disc Handles

artos®

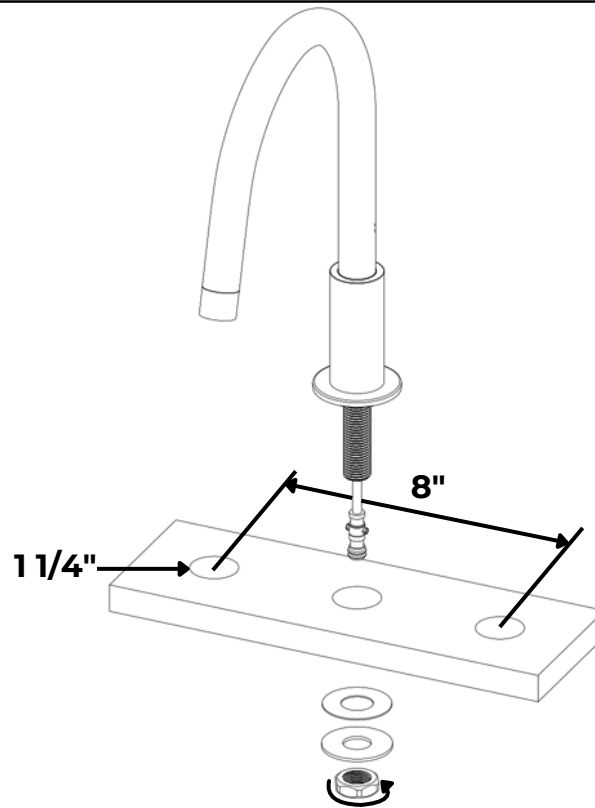
PRODUCT DIMENSIONS



NOTE: Multiple handle options included



STEP 1



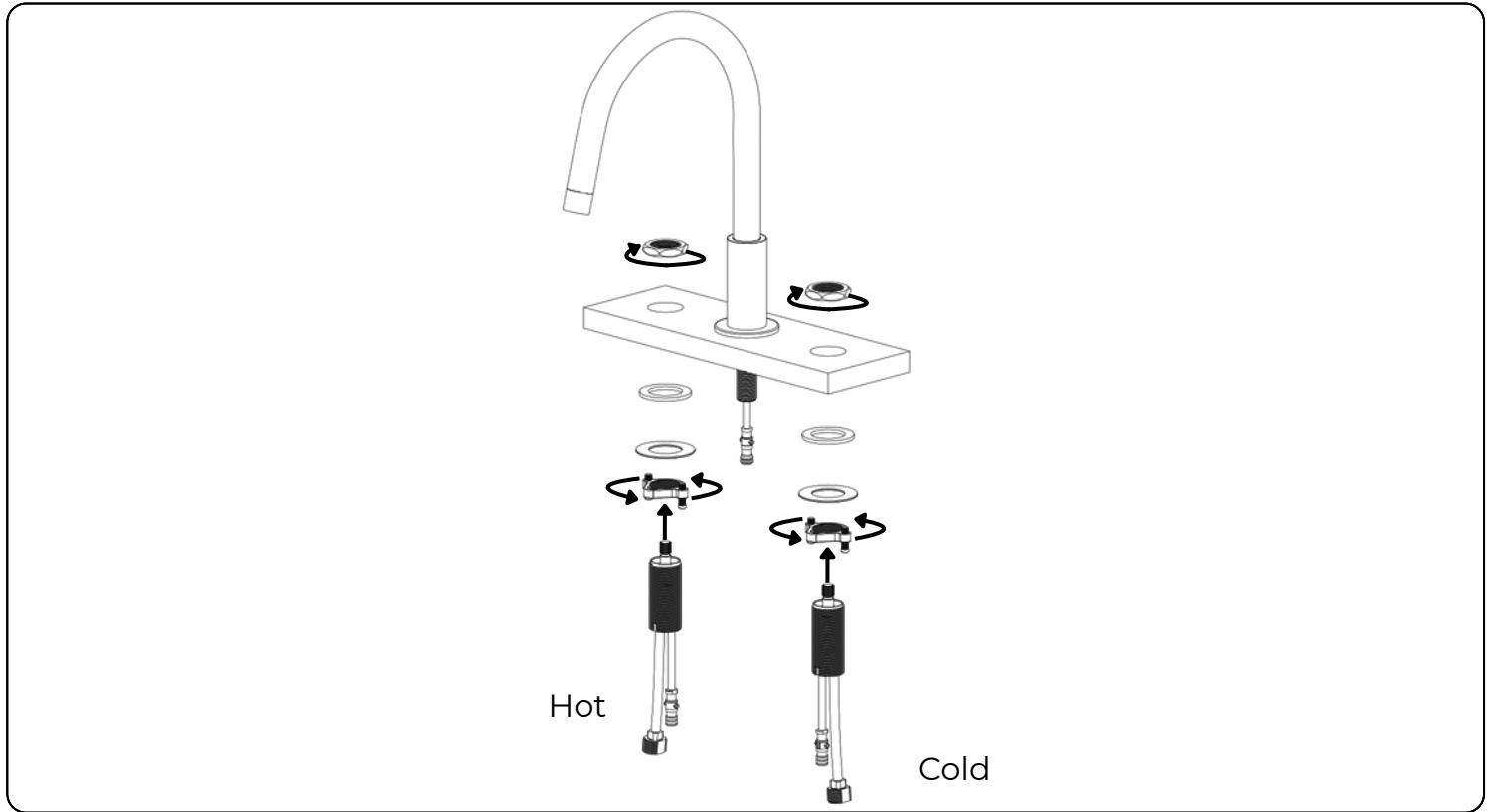
Safety Warnings

- Shut off the main or local water supply before beginning installation.
- Use caution when handling sharp tools and metal parts.
- Do not overtighten connections, as this may damage components or create leaks.

Note: Pre-installation preparation of the faucet mounting surface is required. If the surface does not include pre-drilled holes for a widespread faucet, they must be drilled prior to installation. Proper hole placement and alignment (4" spread) are the responsibility of the installer/contractor.

Remove the spindle nut and both washers from the faucet spindle. Insert the pre-assembled faucet spindle into the center hole of the sink. From beneath the sink, install the rubber washer first, followed by the metal washer, and secure with the spindle nut. Tighten firmly to ensure a stable fit.

STEP 2



Using the correct water temperature valve (identified by markings on the valve), first thread on the lower securing nut, followed by the metal washer and then the rubber washer.

Next, position the upper securing nut at the installation hole. Hold the valve body in place from beneath the sink and thread it onto the securing nut. Adjust the securing nut by hand to achieve an even seal against the mounting surface, then fully tighten using the securing nut bolts.

Ensure the valve body outlet is properly oriented according to the referenced figure.

Note: Assistance from a second person may be recommended for this step, depending on the sink top configuration and depth.

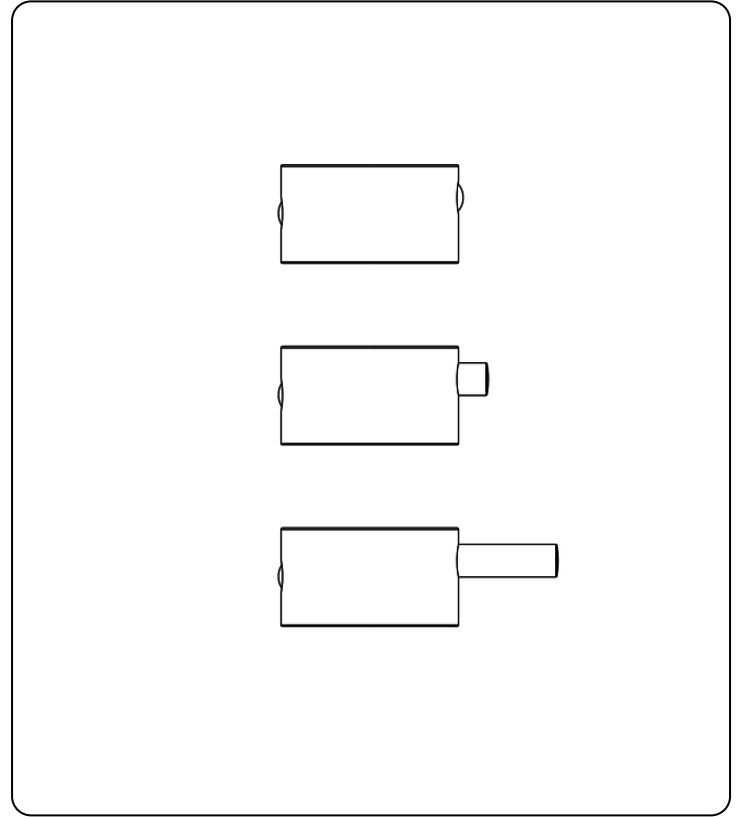
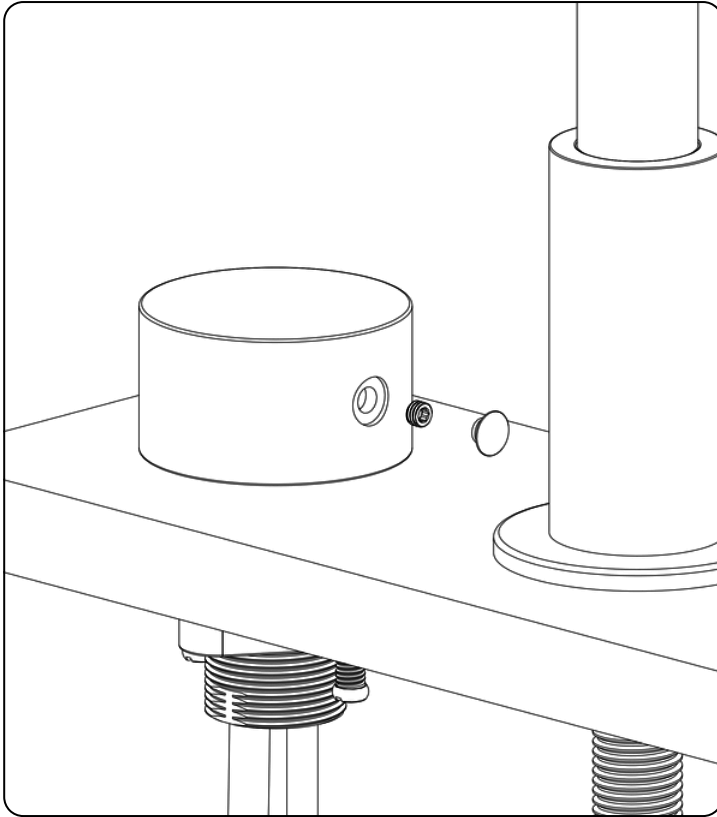
FS326

Opera 8" Widespread Bathroom Faucet With Disc Handles

artos®

INSTALLATION GUIDE

STEP 3

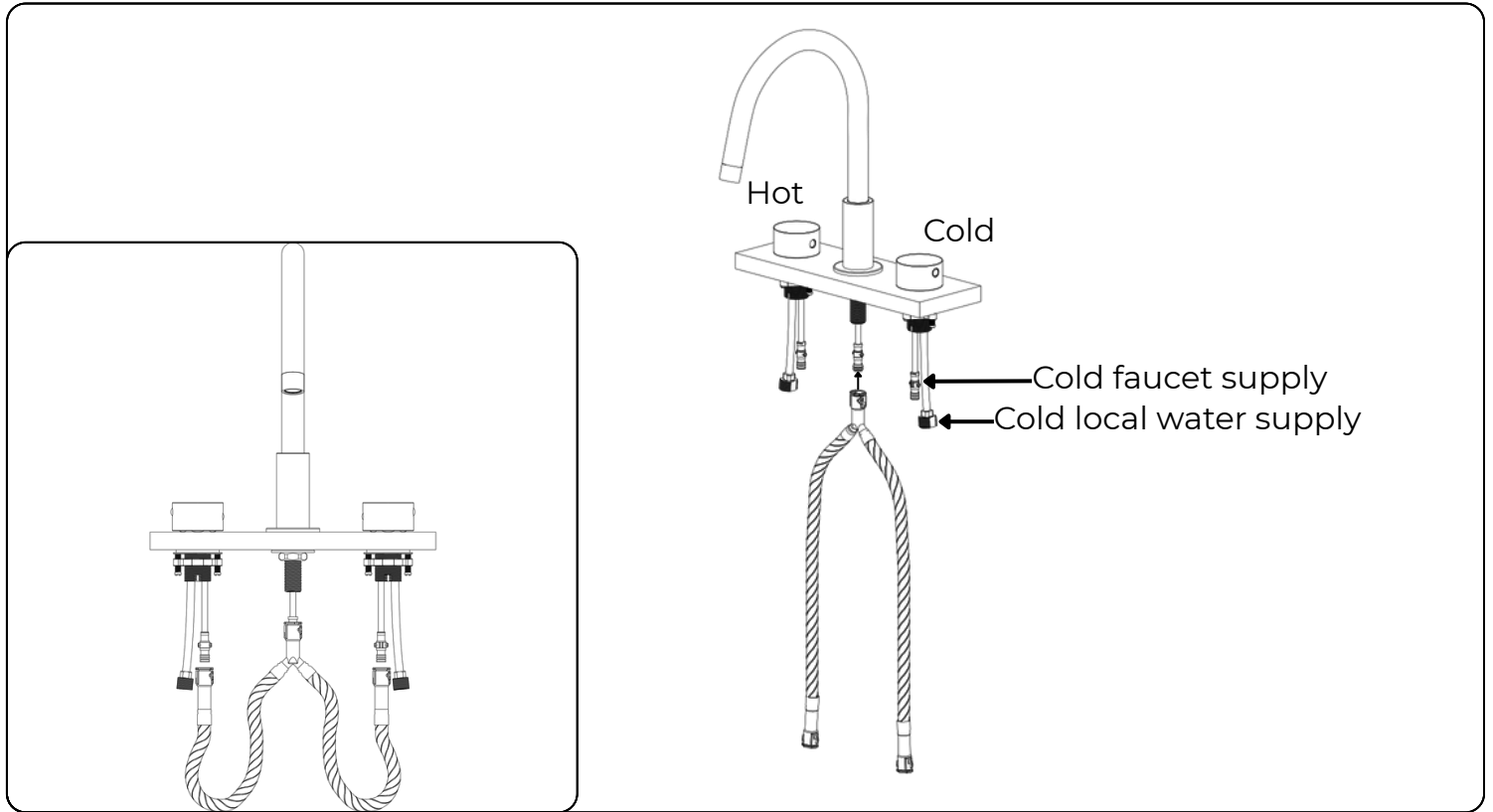


Install the handle by aligning the internal slot with the valve spindle. Ensure the valve is in the desired “off” position before final placement. If alignment is incorrect, rotate the valve to the off position, remove the handle, and reinstall it in the correct orientation.

To secure the handle, insert the set screw into the lower handle opening and tighten. Seal with the set screw cap.

Select and install the desired handle style (disk with cap, short handle, or long handle) into the appropriate mounting location.

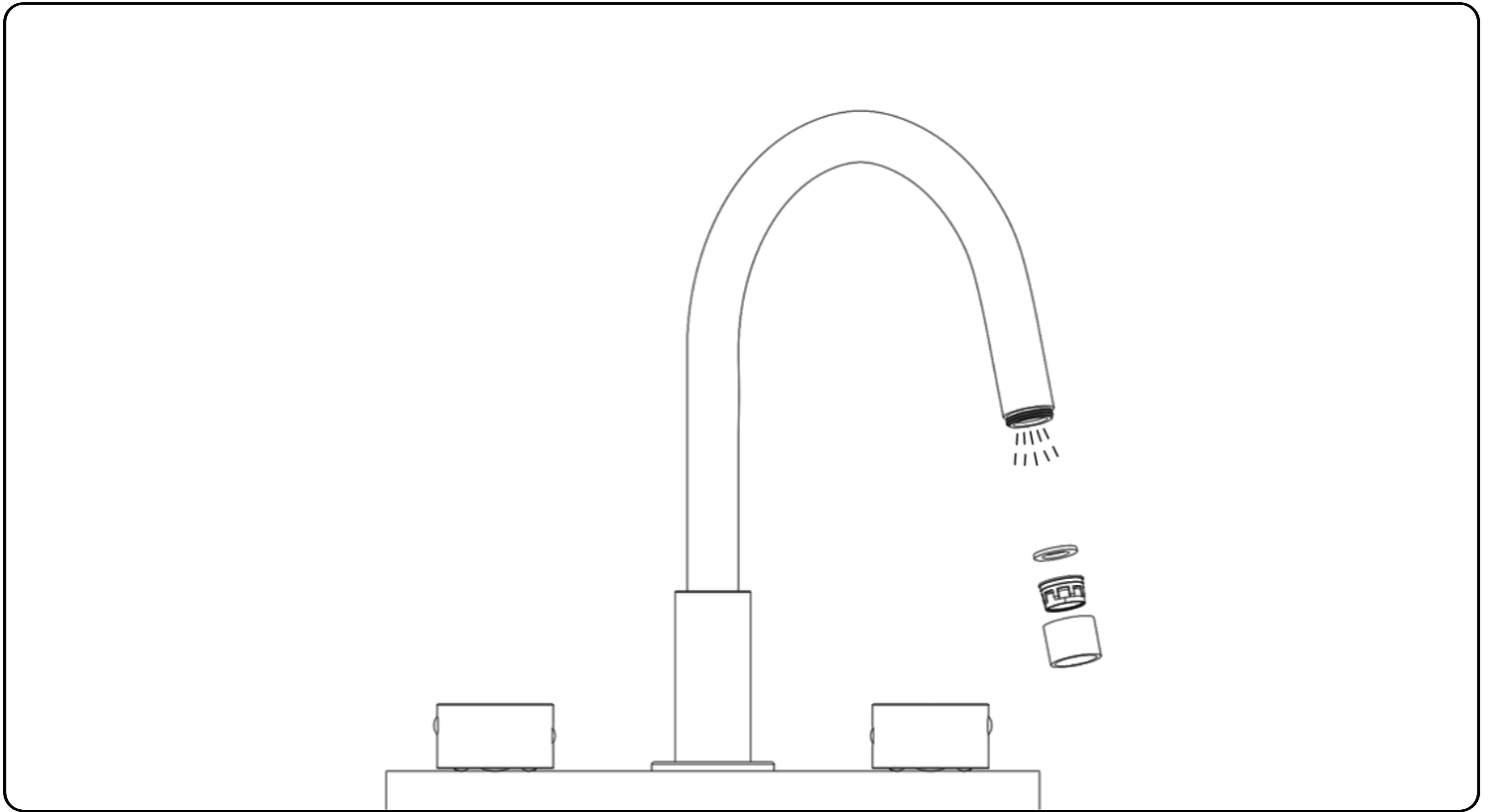
STEP 4



Connect the quick-connect hose to the main faucet body, ensuring proper alignment. Press firmly until a click is heard, confirming a secure connection.

Next, connect the faucet Y-joint supply lines to their corresponding hot and cold valve outlets. Verify that all connections are fully seated.

Finally, connect the third-party 1/2" water supply lines to the valve inlets at the bottom.

STEP 5

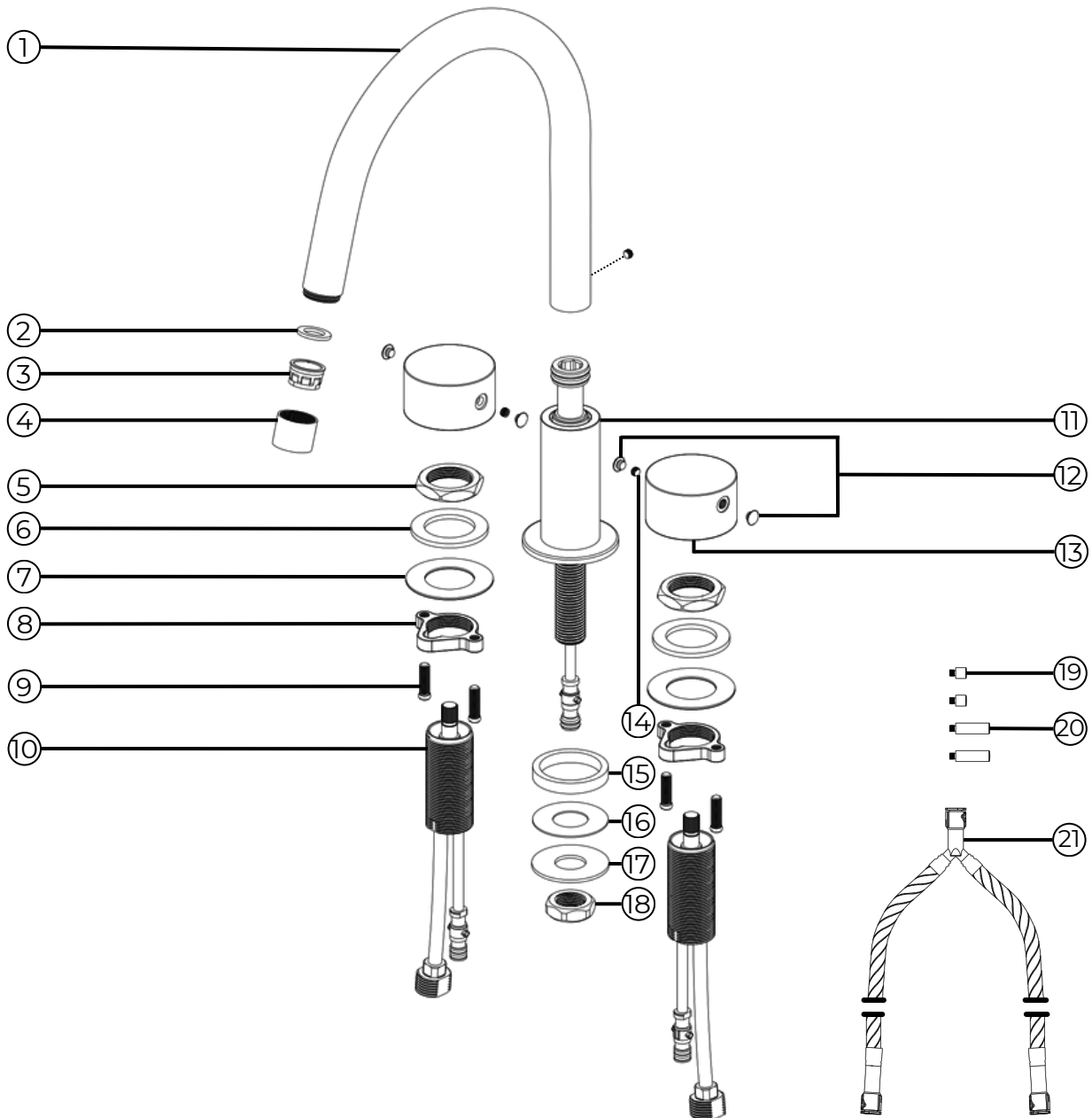
Ensure all washers are properly seated and all nuts are securely tightened to prevent leaks.

Slowly turn on the water supply and inspect all connections for leaks before full operation.

Remove the aerator and allow water to run for 30–60 seconds to flush out any debris from the plumbing system.

Additional Notes:

- Local water supply hook-ups are not provided and must be sourced separately.
- After installation, flush water lines thoroughly to remove debris and extend aerator performance.
- Periodically inspect all connections and washers for signs of wear and retighten as needed.



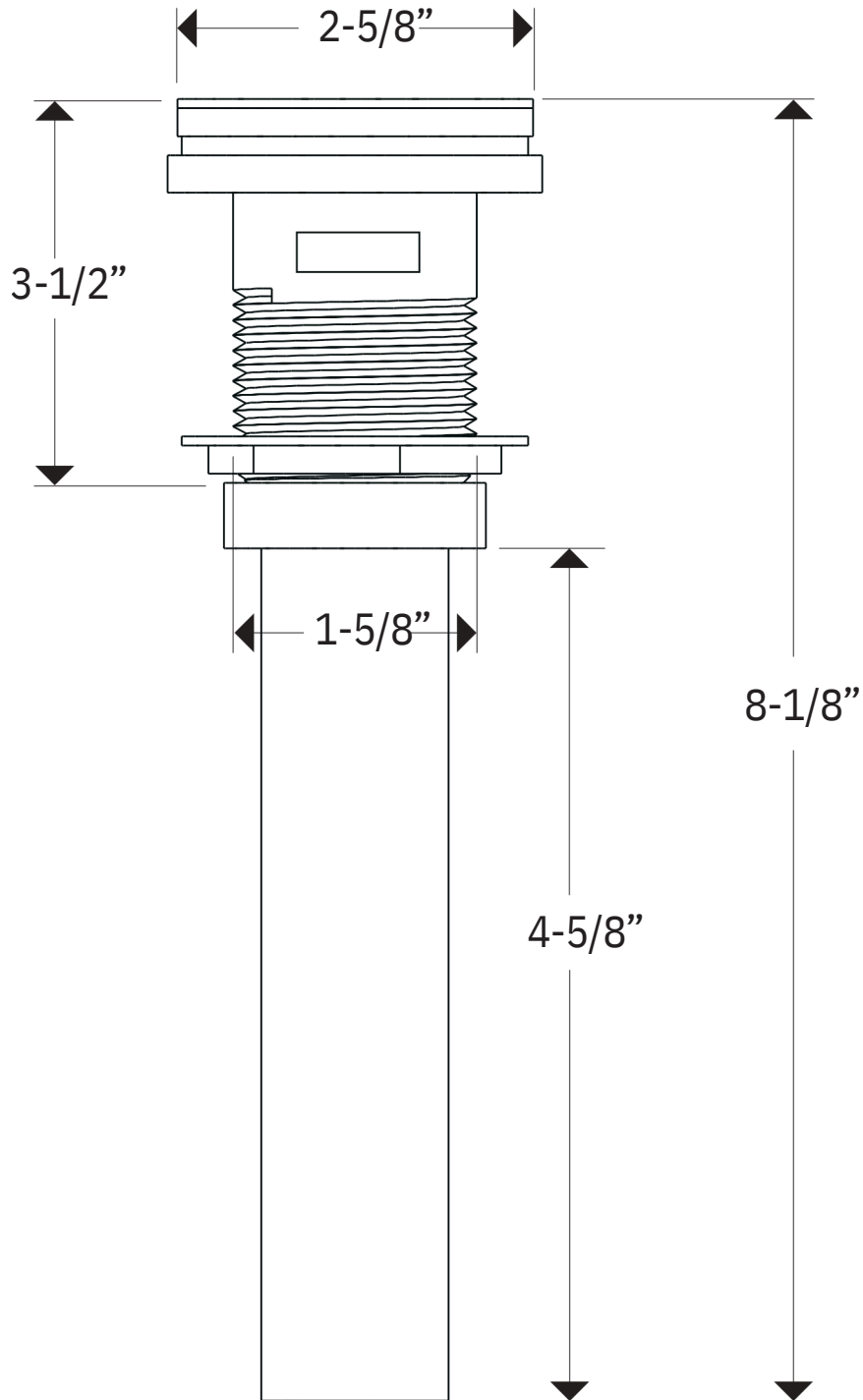
- ① ROUND LAVATORY FAUCET
- ② AERATOR SEAL
- ③ AERATOR
- ④ FAUCET HEAD
- ⑤ UPPER VALVE SECURING NUT (2)
- ⑥ RUBBER WASHER (2)
- ⑦ METAL WASHER (2)
- ⑧ LOWER VALVE SECURING NUT (2)
- ⑨ SECURING NUT ADJUSTMENT BOLTS (4)
- ⑩ MODULAR SIDE VALVE (2)
- ⑪ FAUCET SWIVEL COLLAR
- ⑫ SET SCREW CAP COVERS (4)
- ⑬ DISK HANDLES (2)
- ⑭ SET SCREWS (3)
- ⑮ FAUCET ESCUTCHEON SEAL
- ⑯ RUBBER WASHER
- ⑰ METAL WASHER
- ⑱ SPINDLE NUT
- ⑲ DISK HANDLE SHORT LEVER OPTION (2)
- ⑳ DISK HANDLE LONG LEVER OPTION (2)
- ㉑ QUICK CONNECT HOSE

FS326

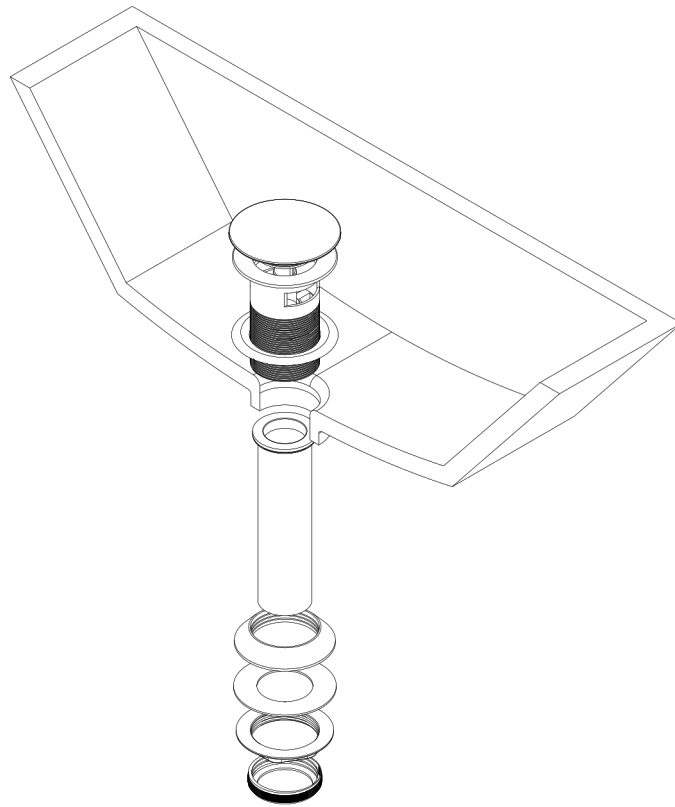
Opera 8" Widespread Bathroom Faucet With Disc Handles

PRODUCT DIMENSIONS

PRODUCT SKU: F910-12



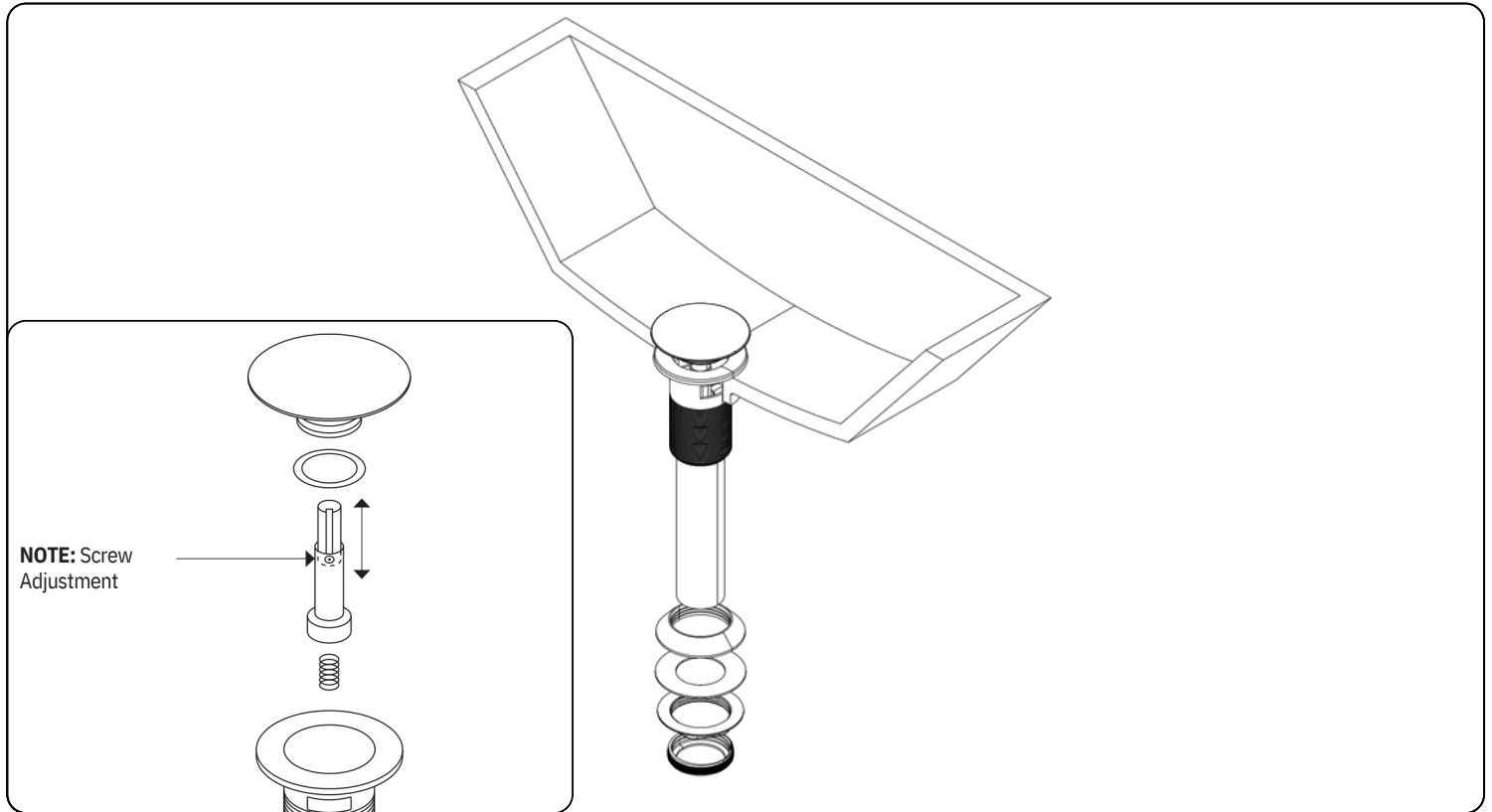
STEP 1



Disassemble the umbrella drain by removing the drain collar, drain collar nut, collar rubber seal, umbrella drain nut, nylon washer, and silicone washer in sequence. Insert the drain body into the sink drain opening from above. From beneath the sink, thread and tighten the securing nut until it sits flush against the underside of the sink surface.

Note: Ensure the silicone washer is properly seated between the drain flange and sink surface to prevent leaks. Do not overtighten the securing nut, as this may damage the sink or washer.

STEP 2



Reinstall the previously removed components onto the drain body from beneath the sink in reverse order, tightening each part using a clockwise motion to ensure a secure fit.

Note: Confirm that all seals and washers are properly aligned before final tightening. Once assembled, proceed to connect the P-trap following the manufacturer’s installation instructions for drain alignment and sealing.

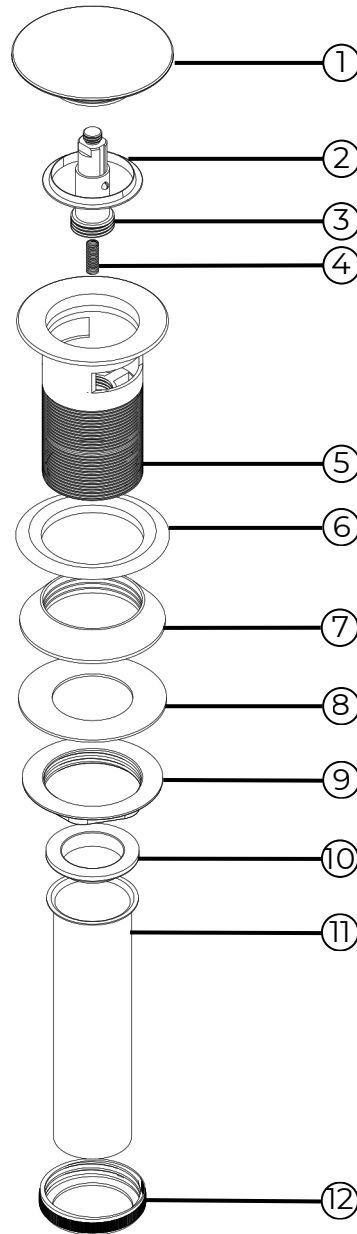
Adjustment: To adjust the height of the umbrella, loosen the adjustment screw and raise or lower the umbrella to the desired position. Once properly positioned, re-tighten the screw securely to hold the umbrella in place.

FS326

Opera 8" Widespread Bathroom Faucet With Disc Handles

PARTS BREAKDOWN

PRODUCT SKU: F910-12



- ① UMBRELLA PUSH BUTTON
- ② UMBRELLA PUSH BUTTON SEAL
- ③ DRAIN ADJUSTMENT SPINDLE
- ④ SPINDLE SPRING
- ⑤ UMBRELLA DRAIN BODY
- ⑥ UPPER SILICON GASKET

- ⑦ LOWER SILICON GASKET
- ⑧ NYLON PLASTIC WASHER
- ⑨ DRAIN NUT
- ⑩ RUBBER P-TRAP GASKET
- ⑪ P-TRAP COLLAR
- ⑫ COLLAR NUT

FS326

Opera 8" Widespread Bathroom Faucet With Disc Handles

artos®

PARTS SUMMARY

