

FS310

Round 8" Widespread Lavatory Faucet

artos®

INSTALLATION GUIDE



FS310

Round 8" Widespread Lavatory Faucet

artos®

OPERATING SPECIFICATIONS

OPERATING TEMPERATURE

Maximum: 176°

OPERATING PRESSURE

Minimum: 15psi

Maximum: 75psi

Recommended: 20psi-70psi

Above 90psi it may be necessary to install a pressure reducer

FLOW RATE

1.2 USGPM

INSTALLATION DIMENSIONS

Counter-Top Holes: Faucet: 7/8" Handles: 1-1/8"

Maximum Surface Thickness: 2-3/8"

FEATURES

Valve Bodies and Umbrella Drain Included

Rotating Spout Design

STANDARDS

To view all standards, please visit product approvals in our learning hub at artos.us.com



2



WESTOVER, INC

4011 S 60TH ST, OMAHA, NE 68117

WWW.ARTOS.US.COM

T: 402-397-3344

All technical specifications, product details, and pricing are subject to change without prior notice. Artos makes every effort to ensure accuracy; however, errors or omissions may occur. It is the responsibility of the installer, designer, or purchaser to verify all critical dimensions, installation requirements, and compliance with applicable codes prior to use.

Artos assumes no liability for damages, losses, or injuries resulting from the use of this documentation or from product installation, operation, or maintenance performed outside of Artos instructions and applicable codes. Product warranties are limited to those expressly stated by Artos. Please refer to official warranty documentation for complete terms and conditions.

All drawings, manuals, and specifications are the property of Artos and may not be reproduced, distributed, or altered without prior written permission.

FS310

Round 8" Widespread Lavatory Faucet

artos®

INDEX

INDEX

Product Dimensions.....pg:4

Round 8" Widespread Lavatory Faucet FS310 Installation.....pg:5-9

Parts Breakdown FS310.....pg:10

Umbrella Drain Installation F910-12.....pg:11-13

Parts Breakdown Umbrella Drain F910-12.....pg:14

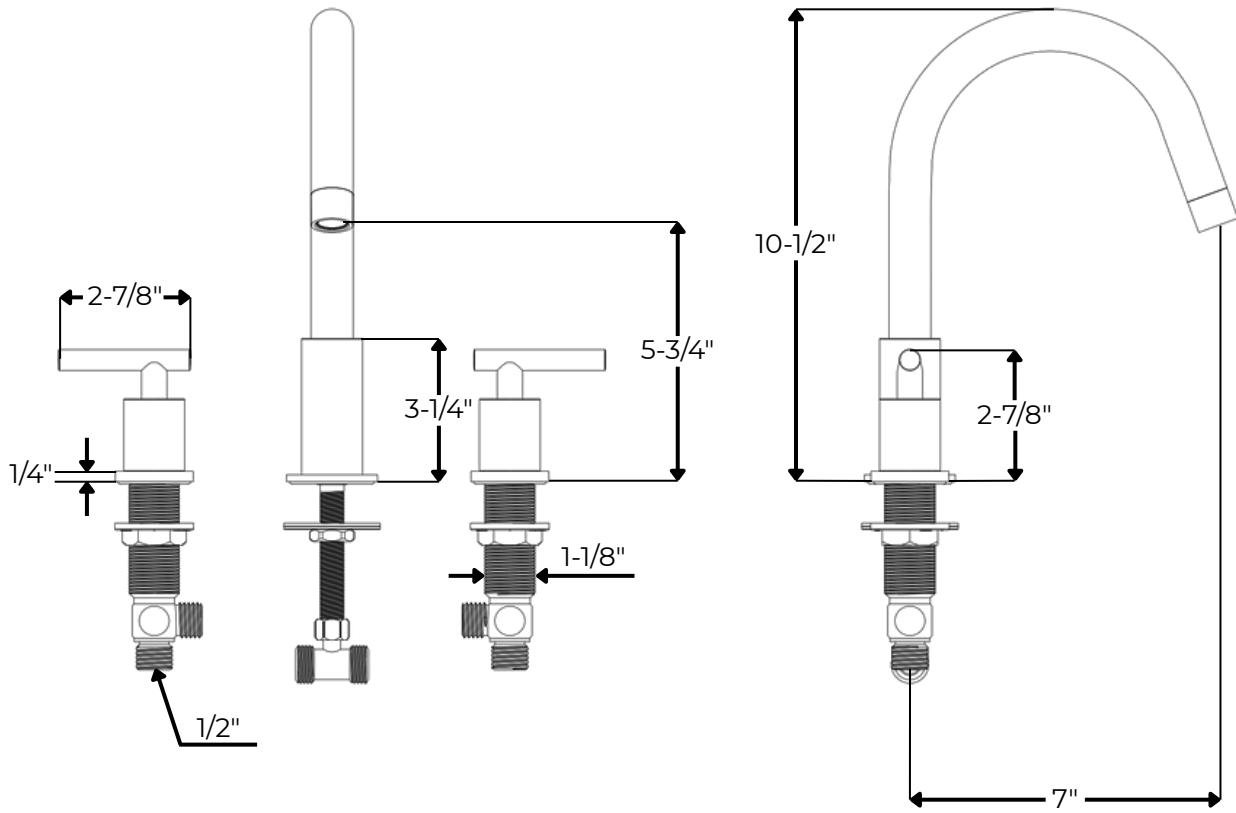
Parts Summary FS310.....pg:15

FS310

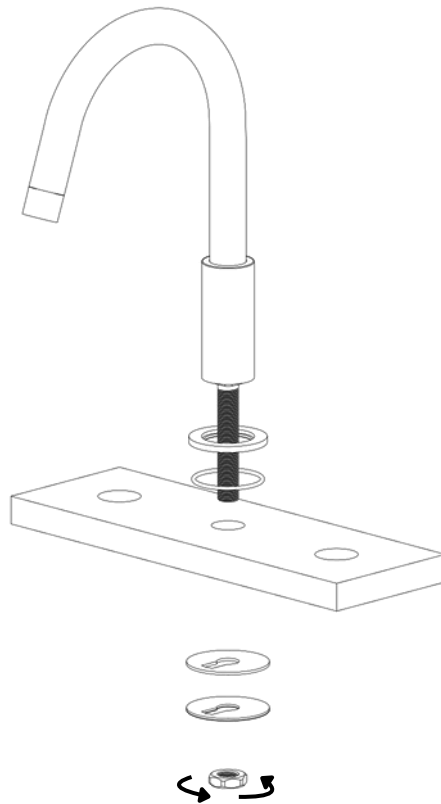
Round 8" Widespread Lavatory Faucet

artos®

PRODUCT DIMENSIONS



STEP 1



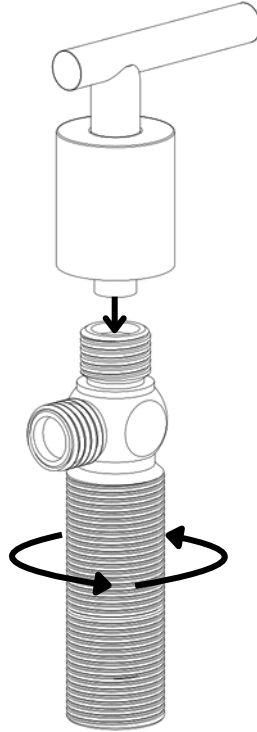
Safety Warnings

- Shut off the main or local water supply before beginning installation.
- Use caution when handling sharp tools and metal parts.
- Do not overtighten connections, as this may damage components or create leaks.

Remove the spindle nut and both washers from the faucet spindle. Remove escutcheon from packaging and put the spindle through, assuring seal is in place. Insert the faucet spindle into the center hole of the sink. From beneath the sink, thread the rubber washer first, followed by the metal washer, and then secure with the spindle nut. Tighten firmly to ensure a stable fit.

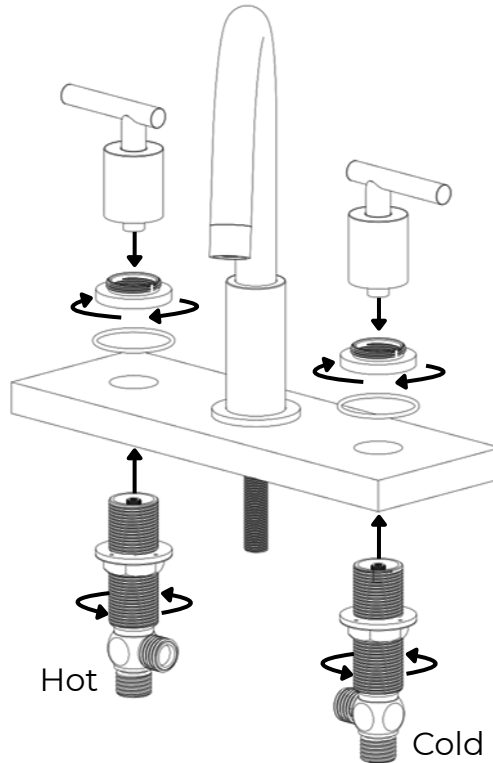
Note: Pre-installation of the faucet mounting surface is required. If the surface does not include pre-drilled holes for a widespread faucet, these must be drilled prior to installation. The faucet mounting hole should be centered with the sink placement, and the round-handle holes should be spaced 4 inches from the center of the faucet hole.

STEP 2



Before installation, make sure the Round handles are in the “off” position and confirm that the valve is also fully closed. Adjust alignment as necessary to ensure that the handle orientation matches the valve function.

STEP 3



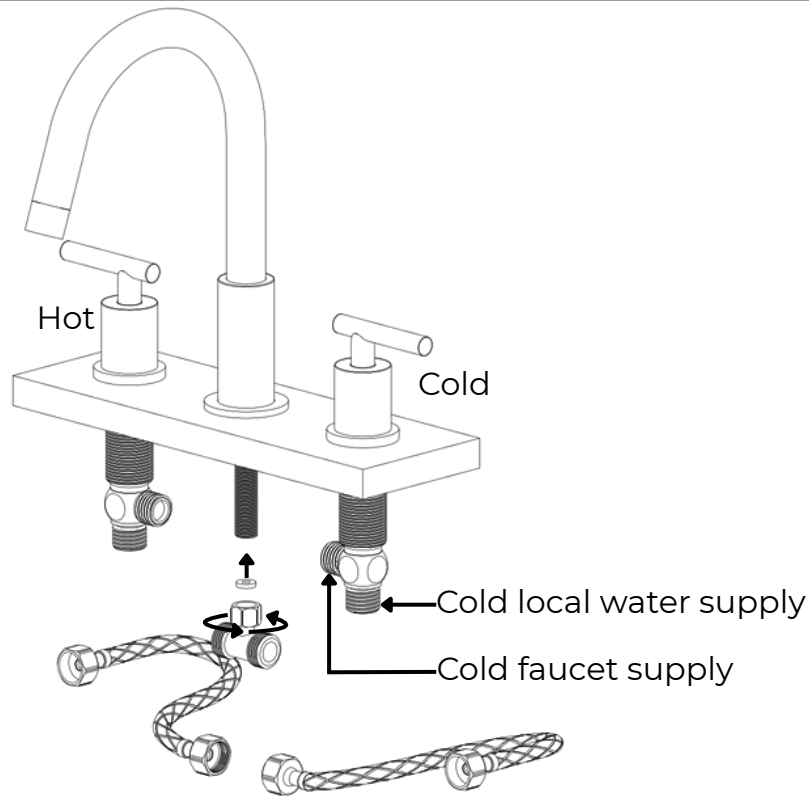
Unthread the round handle escutcheon and position it centered over the designated handle hole.

Using the correct water temperature valve (identified by the colored sticker on the valve), hold the valve body in place from beneath the sink and thread the body onto the round-handle escutcheon. Adjust the tightness of the plastic valve nuts and handle escutcheon to achieve an even seal against the mounting surface. Ensure the valve body outlet is oriented horizontally and faces the faucet spindle.

Re-thread the round handles onto the escutcheons.

Note: Assistance from a second person is recommended for this step, depending on the sink top configuration and depth.

STEP 4

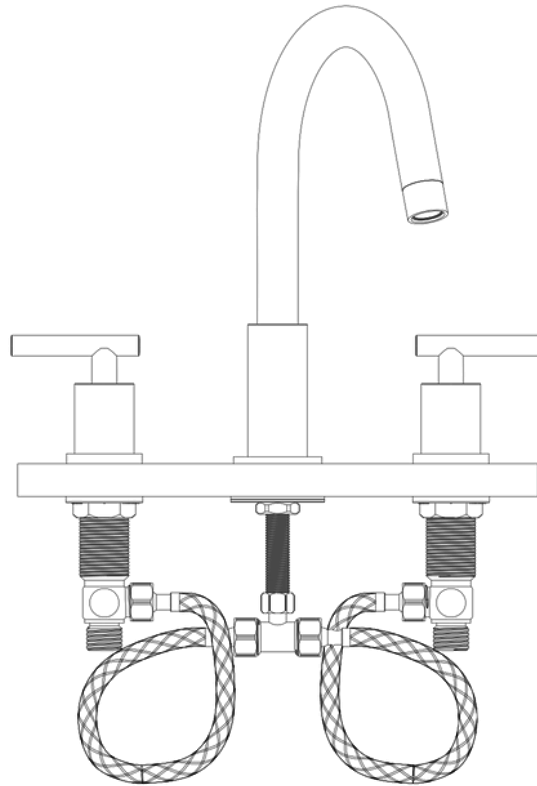


Assure that the T-joint seal is properly seated and has not become dislodged during product transport. Connect the T-joint to the spindle with the nut positioned toward the spindle. Attach the hot and cold supply hoses to the T-joint.

Next, connect the faucet T-joint water supply hook-ups to their corresponding valves on a right-angle horizontal connection. Verify that all connections are fully tightened and properly seated.

Finally, connect the third-party 1/2" connection local water supply line to the corresponding valves on the bottom inlet.

STEP 5

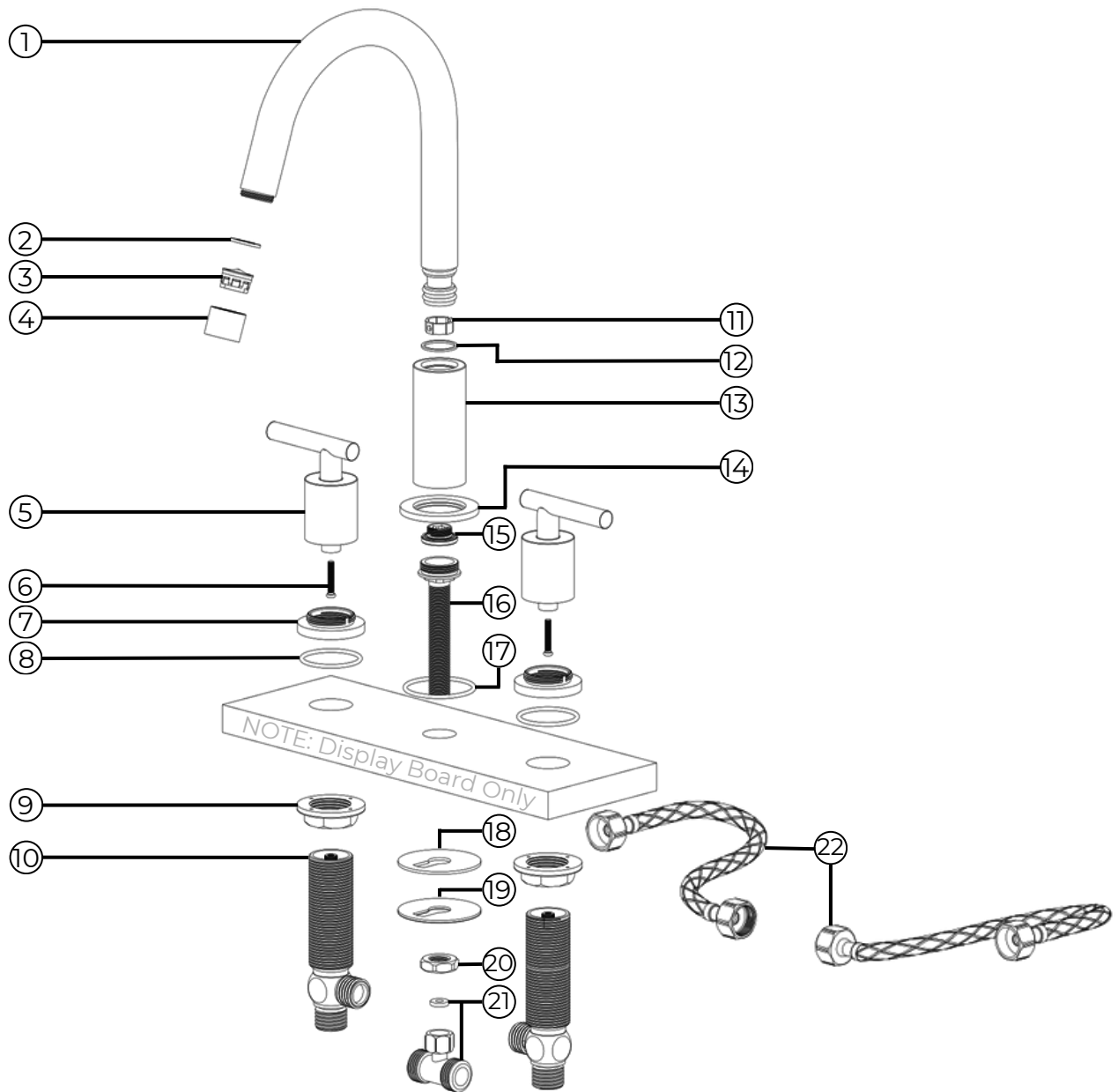


Ensure all washers are properly seated, and nuts are tightened to prevent water leakage during operation.

Once complete, slowly turn on the water supply and check all joints and fittings for leaks before full operation.

Additional Notes:

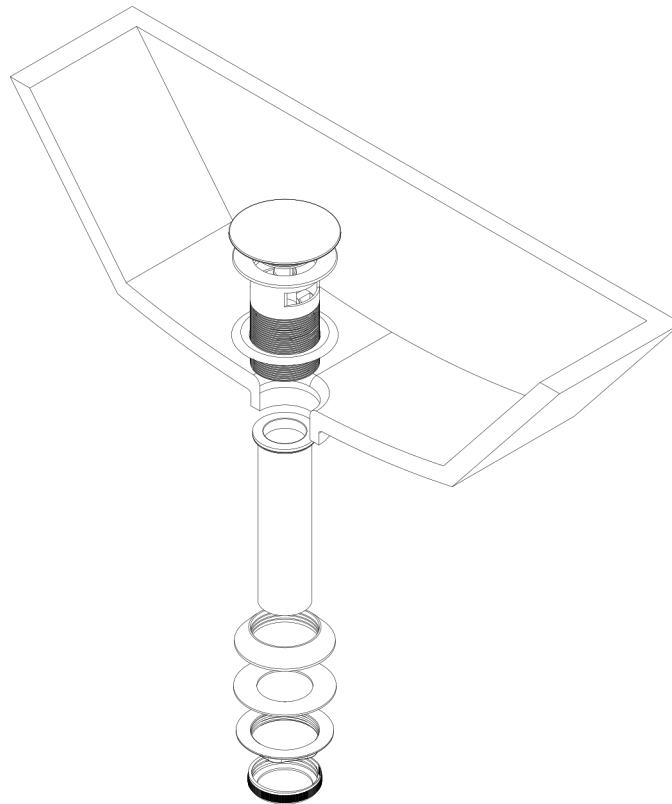
- Local water supply hook-ups are **not** provided and must be sourced separately.
- After installation, flush the water lines by running water for several minutes to remove any debris or installation residue.
- Periodically inspect all connections and washers for signs of wear and retighten if necessary.



- ① ROUND LAVATORY FAUCET
- ② AERATOR SEAL
- ③ AERATOR
- ④ FAUCET HEAD
- ⑤ ROUND HANDLES (2)
- ⑥ ROUND HANDLES BOLT (2)
- ⑦ THREADED ESCUTCHEON (2)
- ⑧ HANDLE ESCUTCHEON SEAL (2)
- ⑨ VALVE NUT (2)
- ⑩ VALVE (2)
- ⑪ SWIVEL CLIP WASHER

- ⑫ SWIVEL WASHER
- ⑬ FAUCET COLLAR
- ⑭ FAUCET ESCUTCHEON
- ⑮ FAUCET NUT
- ⑯ FAUCET SPINDLE
- ⑰ FAUCET ESCUTCHEON SEAL
- ⑱ RUBBER WASHER
- ⑲ METAL WASHER
- ⑳ SPINDLE NUT
- ㉑ T-JOINT + SEAL
- ㉒ FAUCET SUPPLY HOSES

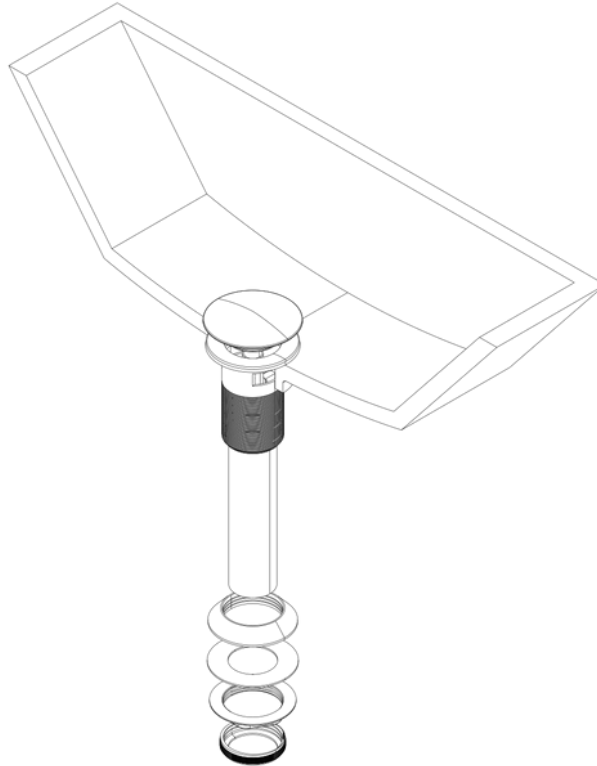
STEP 1



Disassemble the umbrella drain by removing the drain collar, drain collar nut, collar rubber seal, umbrella drain nut, nylon washer, and silicone washer in sequence. Insert the drain body into the sink drain opening from above. From beneath the sink, thread and tighten the securing nut until it sits flush against the underside of the sink surface.

Note: Ensure the silicone washer is properly seated between the drain flange and sink surface to prevent leaks. Do not overtighten the securing nut, as this may damage the sink or washer.

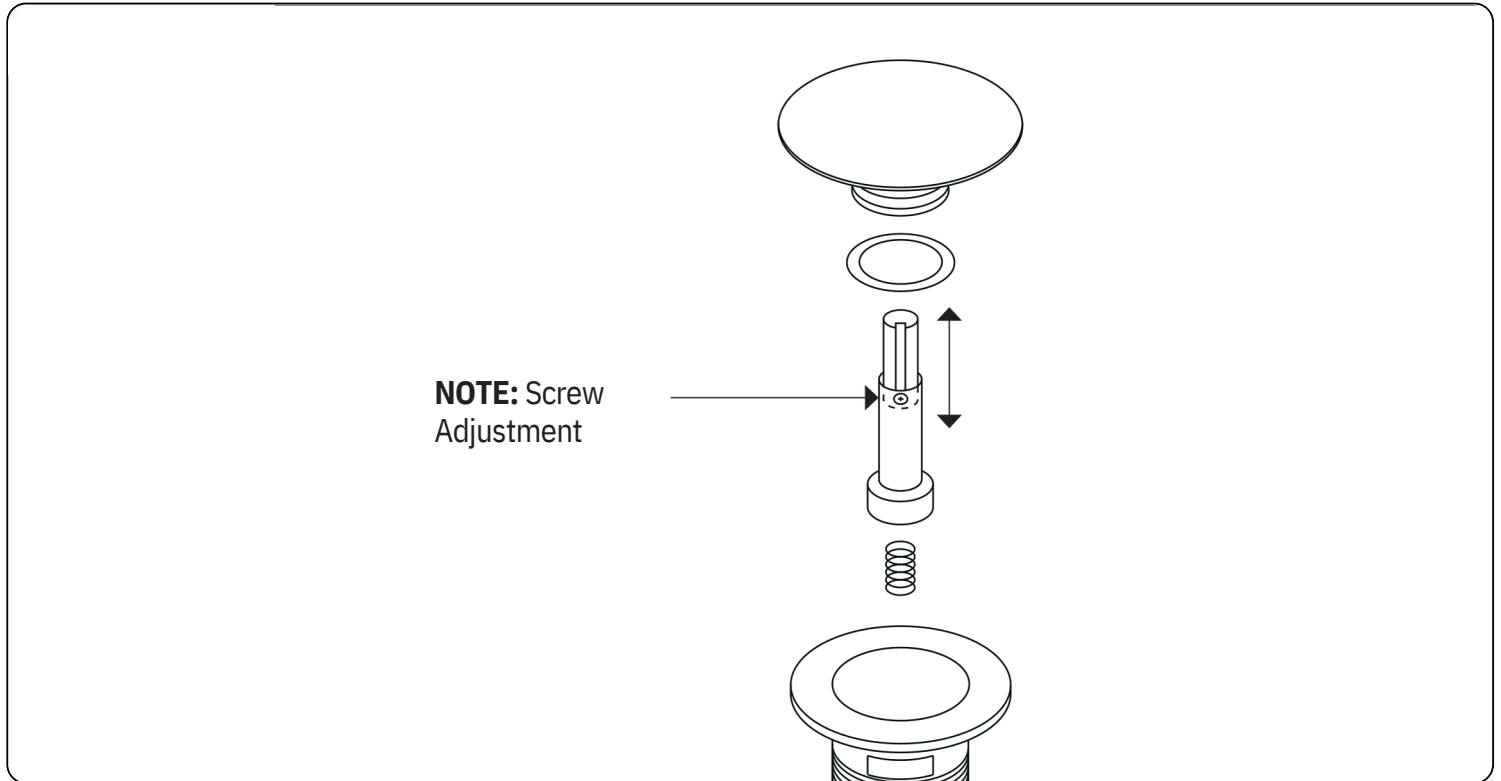
STEP 2



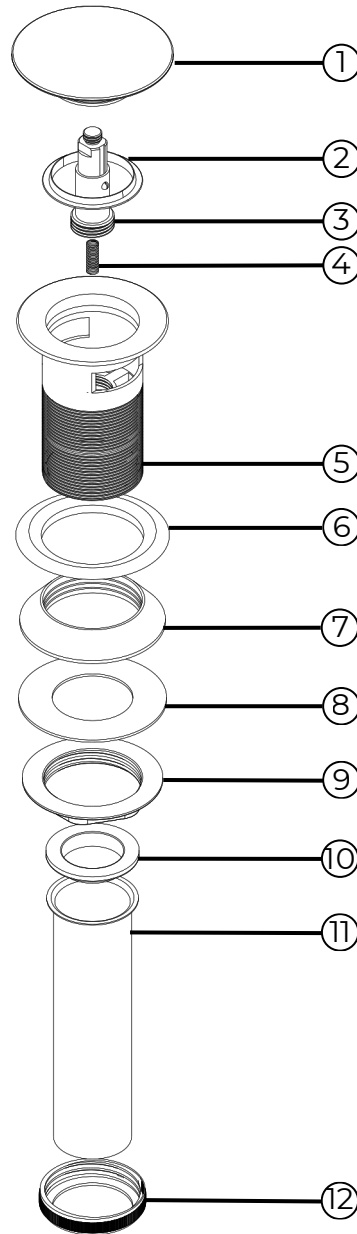
Reinstall the previously removed components onto the drain body from beneath the sink in reverse order, tightening each part using a clockwise motion to ensure a secure fit.

Note: Confirm that all seals and washers are properly aligned before final tightening. Once assembled, proceed to connect the P-trap following the manufacturer's installation instructions for drain alignment and sealing.

STEP 3



Adjustment: To adjust the height of the umbrella, loosen the adjustment screw and raise or lower the umbrella to the desired position. Once properly positioned, re-tighten the screw securely to hold the umbrella in place.



- ① UMBRELLA PUSH BUTTON
- ② UMBRELLA PUSH BUTTON SEAL
- ③ DRAIN ADJUSTMENT SPINDLE
- ④ SPINDLE SPRING
- ⑤ UMBRELLA DRAIN BODY
- ⑥ UPPER SILICON GASKET

- ⑦ LOWER SILICON GASKET
- ⑧ NYLON PLASTIC WASHER
- ⑨ DRAIN NUT
- ⑩ RUBBER P-TRAP GASKET
- ⑪ P-TRAP COLLAR
- ⑫ COLLAR NUT

FS310

Round 8" Widespread Lavatory Faucet

artos®

PARTS SUMMARY

