

# F910-12

Pop-Up Drain With Overflow

artos®

INSTALLATION GUIDE



# F910-12

Pop-Up Drain With Overflow

artos®

## OPERATING SPECIFICATIONS



### MATERIAL

Stainless Steel  
Brass  
Silicon  
Nylon plastic

### DIMENSIONS

Suitable for sink drain mounting holes measuring 1 3/5 in-1 4/5 in in diameter, featuring a rounded edge for proper seating and seal.

### FEATURES

Push-Pop Up + Height Adjustment

### STANDARDS



All technical specifications, product details, and pricing are subject to change without prior notice. Artos makes every effort to ensure accuracy; however, errors or omissions may occur. It is the responsibility of the installer, designer, or purchaser to verify all critical dimensions, installation requirements, and compliance with applicable codes prior to use.

Artos assumes no liability for damages, losses, or injuries resulting from the use of this documentation or from product installation, operation, or maintenance performed outside of Artos instructions and applicable codes. Product warranties are limited to those expressly stated by Artos. Please refer to official warranty documentation for complete terms and conditions.

All drawings, manuals, and specifications are the property of Artos and may not be reproduced, distributed, or altered without prior written permission.

# F910-12

Pop-Up Drain With Overflow

artos®

**INDEX**

## INDEX

Product Dimensions.....pg:4

Pop-Up Drain With Overflow Installation F910-12.....pg:5-7

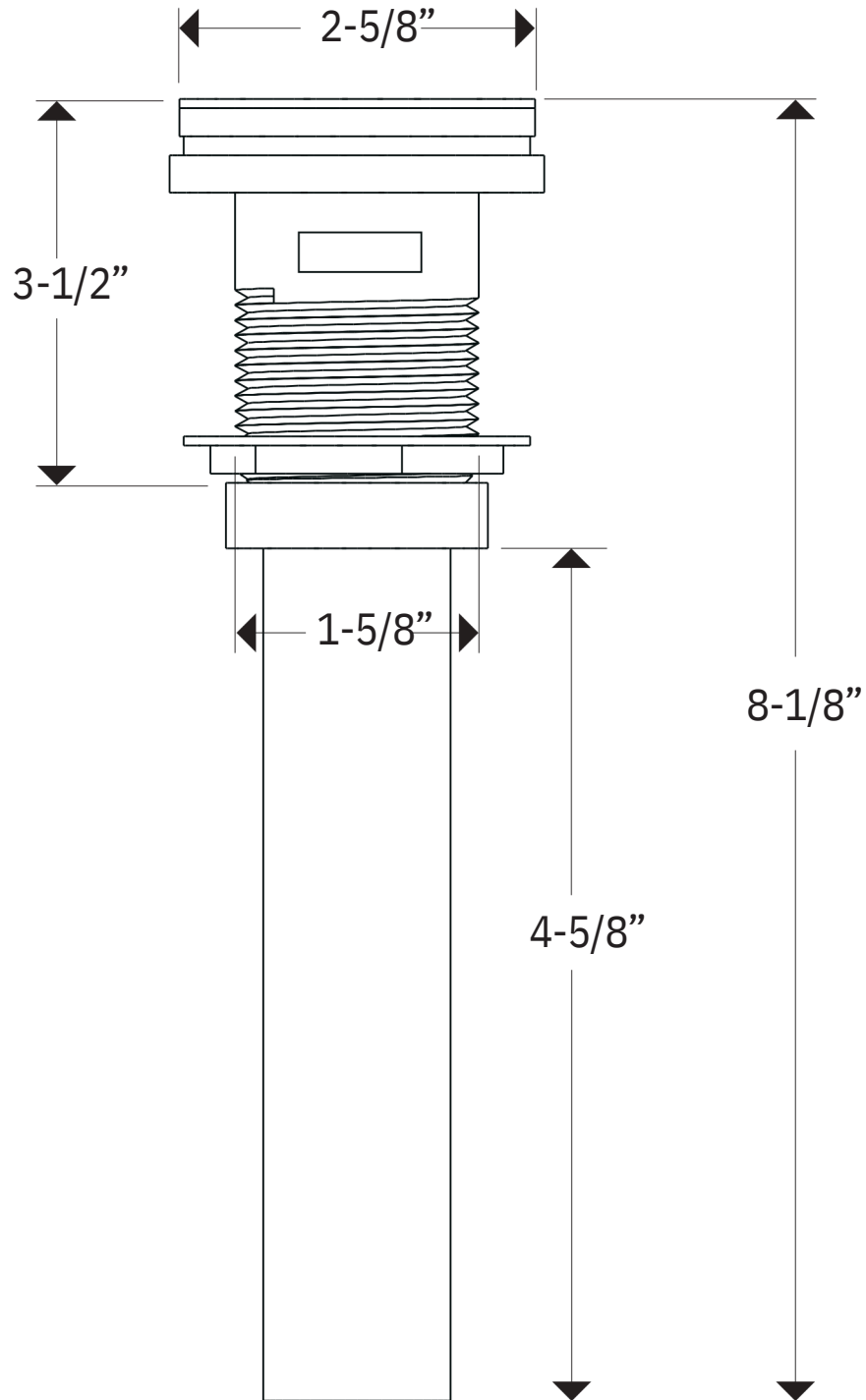
Parts Breakdown Umbrella Drain F910-12.....pg:8

# F910-12

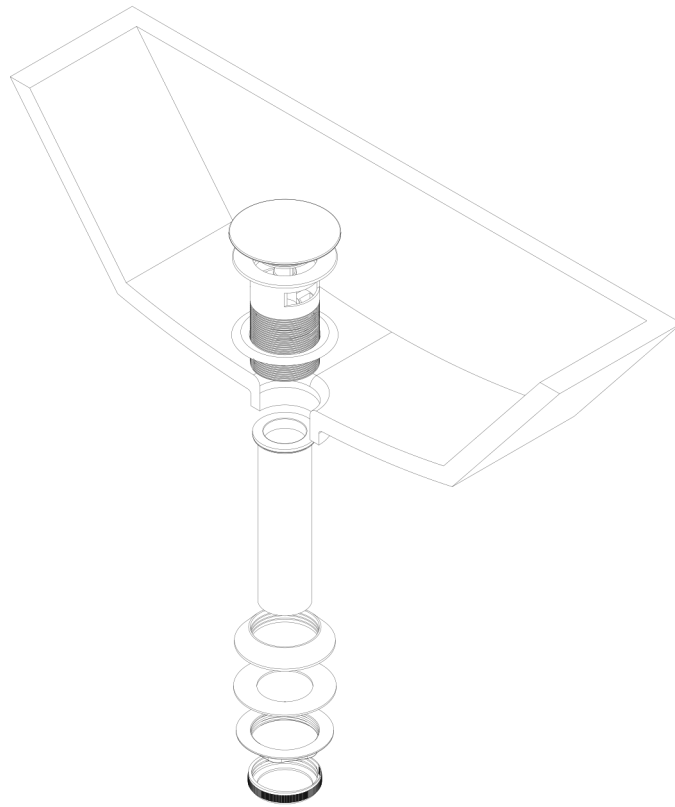
Pop-Up Drain With Overflow

artos®

## PRODUCT DIMENSIONS



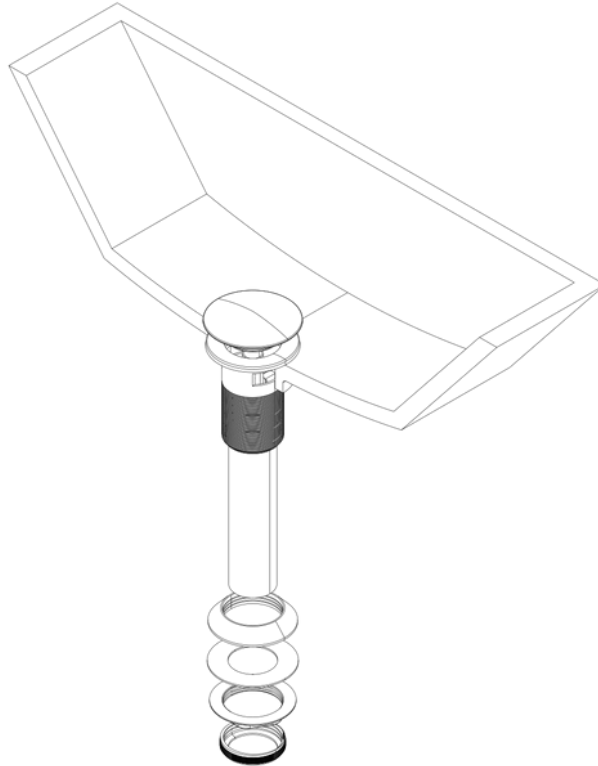
## STEP 1



Disassemble the umbrella drain by removing the drain collar, drain collar nut, collar rubber seal, umbrella drain nut, nylon washer, and silicone washer in sequence. Insert the drain body into the sink drain opening from above. From beneath the sink, thread and tighten the securing nut until it sits flush against the underside of the sink surface.

**Note:** Ensure the silicone washer is properly seated between the drain flange and sink surface to prevent leaks. Do not overtighten the securing nut, as this may damage the sink or washer.

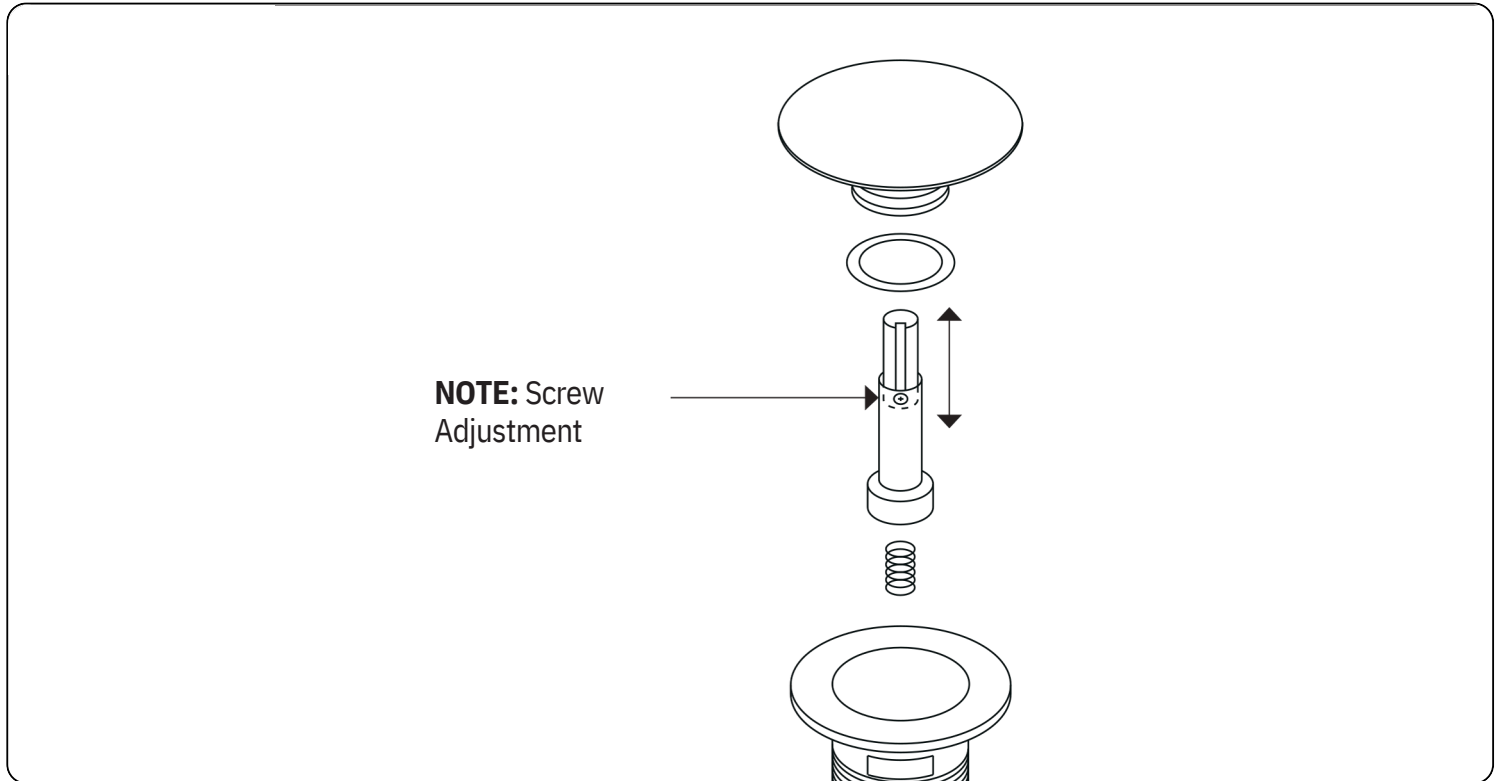
## STEP 2



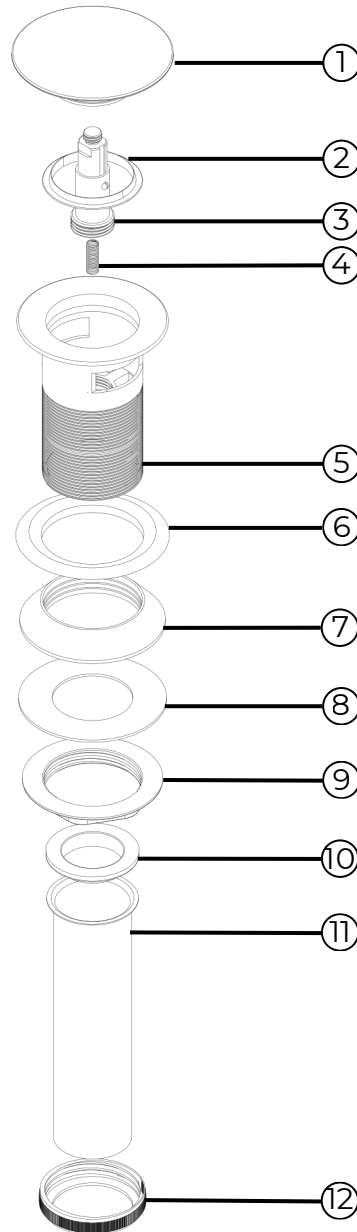
Reinstall the previously removed components onto the drain body from beneath the sink in reverse order, tightening each part using a clockwise motion to ensure a secure fit.

**Note:** Confirm that all seals and washers are properly aligned before final tightening. Once assembled, proceed to connect the P-trap following the manufacturer's installation instructions for drain alignment and sealing.

## STEP 3



**Adjustment:** To adjust the height of the umbrella, loosen the adjustment screw and raise or lower the umbrella to the desired position. Once properly positioned, re-tighten the screw securely to hold the umbrella in place.



- ① UMBRELLA PUSH BUTTON
- ② UMBRELLA PUSH BUTTON SEAL
- ③ DRAIN ADJUSTMENT SPINDLE
- ④ SPINDLE SPRING
- ⑤ UMBRELLA DRAIN BODY
- ⑥ UPPER SILICON GASKET

- ⑦ LOWER SILICON GASKET
- ⑧ NYLON PLASIC WASHER
- ⑨ DRAIN NUT
- ⑩ RUBBER P-TRAP GASKET
- ⑪ P-TRAP COLLAR
- ⑫ COLLAR NUT