

artos[®]

F902-36

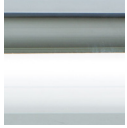
INSTALLATION GUIDE

adjustable hand shower
holder square

BRUSHED NICKEL(BN)



CHROME(CH)



artos[®]

F902-36

OPERATING SPECIFICATIONS

adjustable hand shower
holder square



FEATURES

Solid Brass

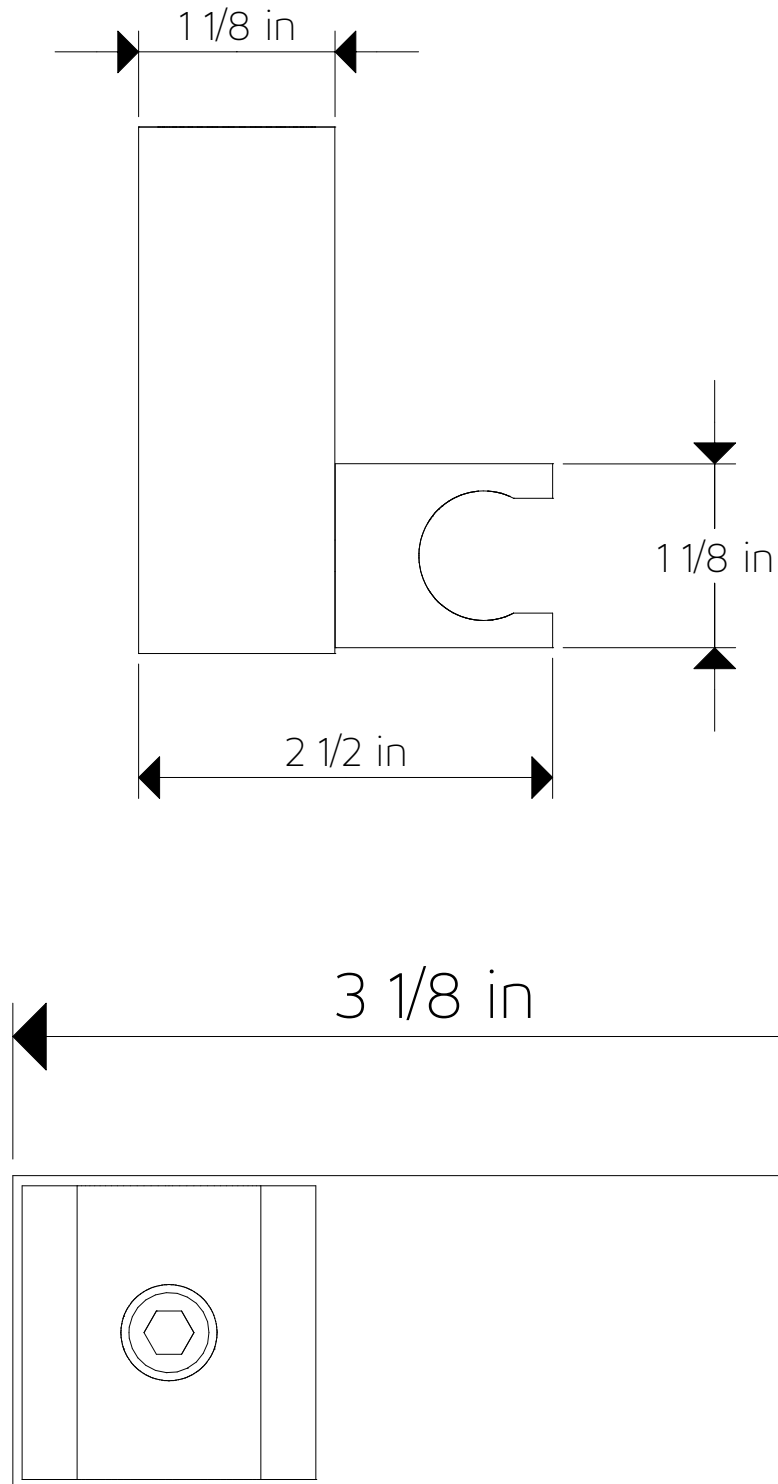
Adjustable

artos[®]

F902-36

PRODUCT DIMENSIONS

adjustable hand shower
holder square



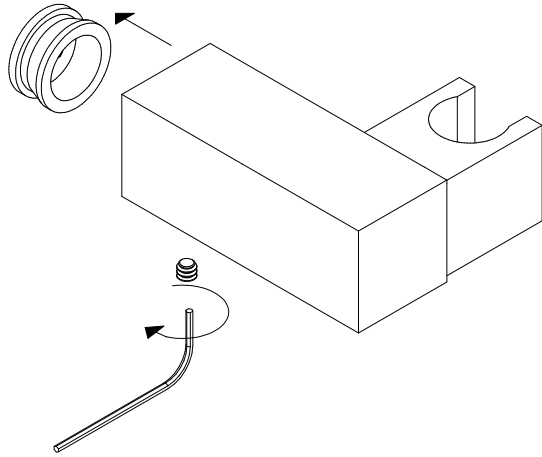
artos[®]

F902-36

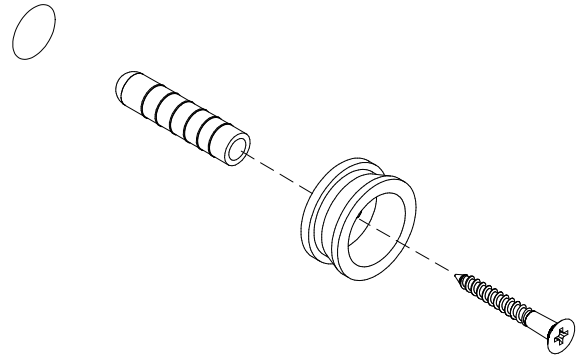
adjustable hand shower
holder square

INSTALLATION STEPS

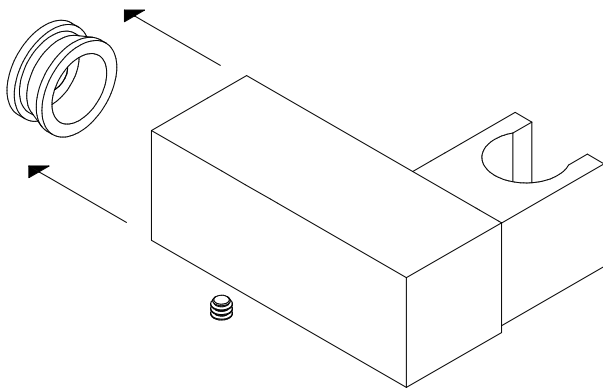
STEP 1 Loosen the set screw of the body assembly, pull out the mounting bracket.



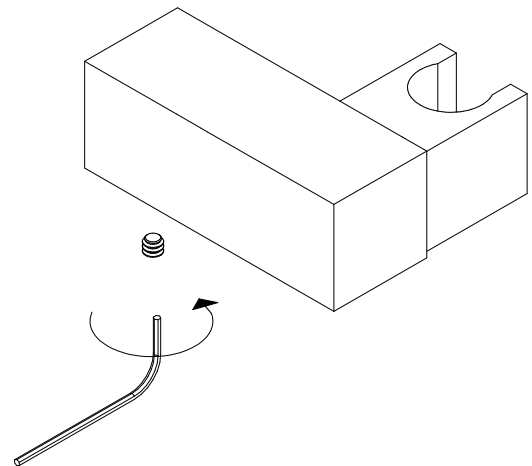
STEP 2 Install mounting bracket to the wall with screws (supplied) and anchors (if applicable).

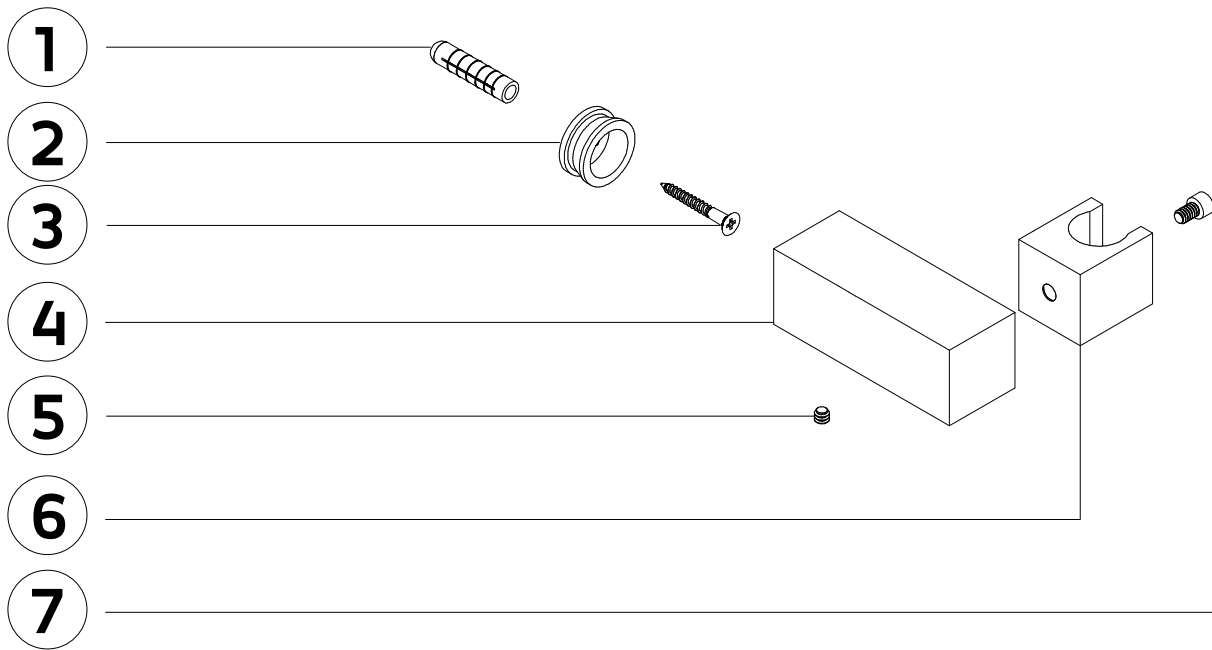


STEP 3 Slide body assembly onto mounting bracket.



STEP 4 Tighten set screw with allen key (supplied)





- 1** WALL ANCHORS
- 2** WALL BRACKET
- 3** WALL BRACKET SCREWS
- 4** HAND SHOWER HOLDER BODY
- 5** HAND SHOWER HOLDER SET SCREW
- 6** HAND SHOWER HOLDER ARM
- 7** HAND SHOWER HOLDER SCREW