

F902-11

Round Wall Mounted Angled Shower Arm

artos®

INSTALLATION GUIDE



F902-11

Round Wall Mounted Angled Shower Arm

artos®

OPERATING SPECIFICATIONS

OPERATING PRESSURE

Minimum: 20psi
Maximum: 125psi
Recommended: 30psi-90psi

Above 90psi it may be necessary to install a pressure reducer.



CONNECTION TYPE

1/2" Male NPT x2

MATERIAL

Solid Brass

INSTALLATION TYPE

Wall Mounted

INSTALLATION DIMENSIONS

1 3/8" hole in diameter or smaller

REQUIREMENTS

This unit requires a control

STANDARDS

To view all standards please visit product approvals in our learning hub at artos.us.com



All technical specifications, product details, and pricing are subject to change without prior notice. Artos makes every effort to ensure accuracy; however, errors or omissions may occur. It is the responsibility of the installer, designer, or purchaser to verify all critical dimensions, installation requirements, and compliance with applicable codes prior to use.

Artos assumes no liability for damages, losses, or injuries resulting from the use of this documentation or from product installation, operation, or maintenance performed outside of Artos instructions and applicable codes. Product warranties are limited to those expressly stated by Artos. Please refer to official warranty documentation for complete terms and conditions.

All drawings, manuals, and specifications are the property of Artos and may not be reproduced, distributed, or altered without prior written permission.

F902-11

Round Wall Mounted Angled Shower Arm

INDEX

INDEX

Product Dimensions.....pg:4

Round Wall Mounted Angled Shower Arm Installation F902-11.....pg:5-8

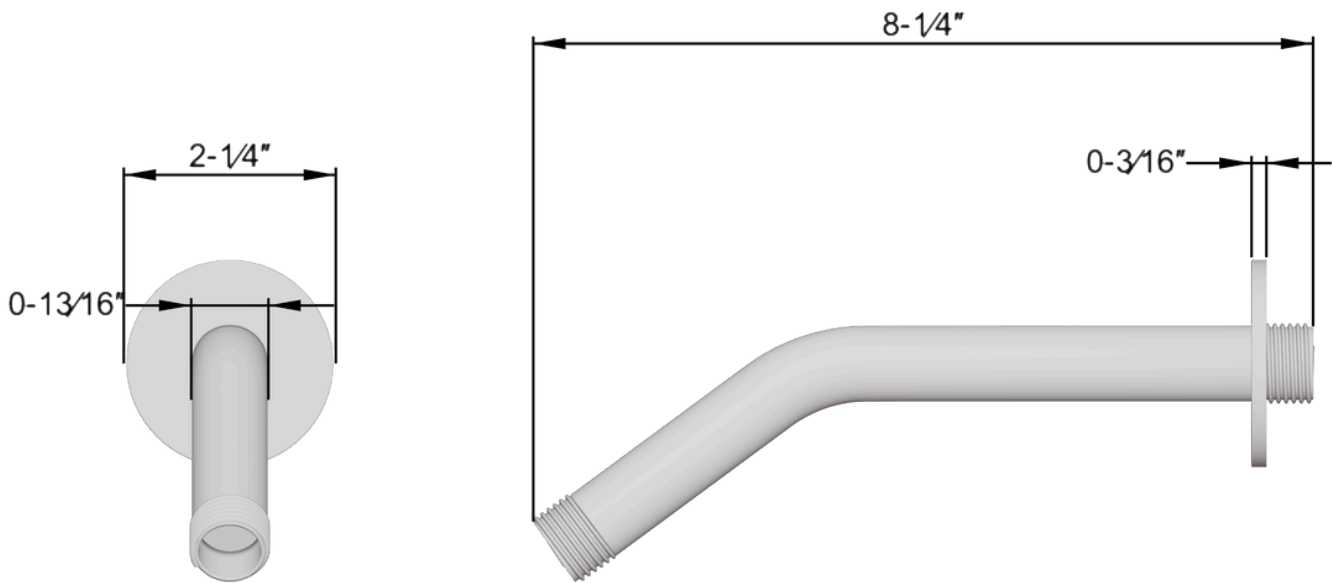
Parts Breakdown F902-11.....pg:9

F902-11

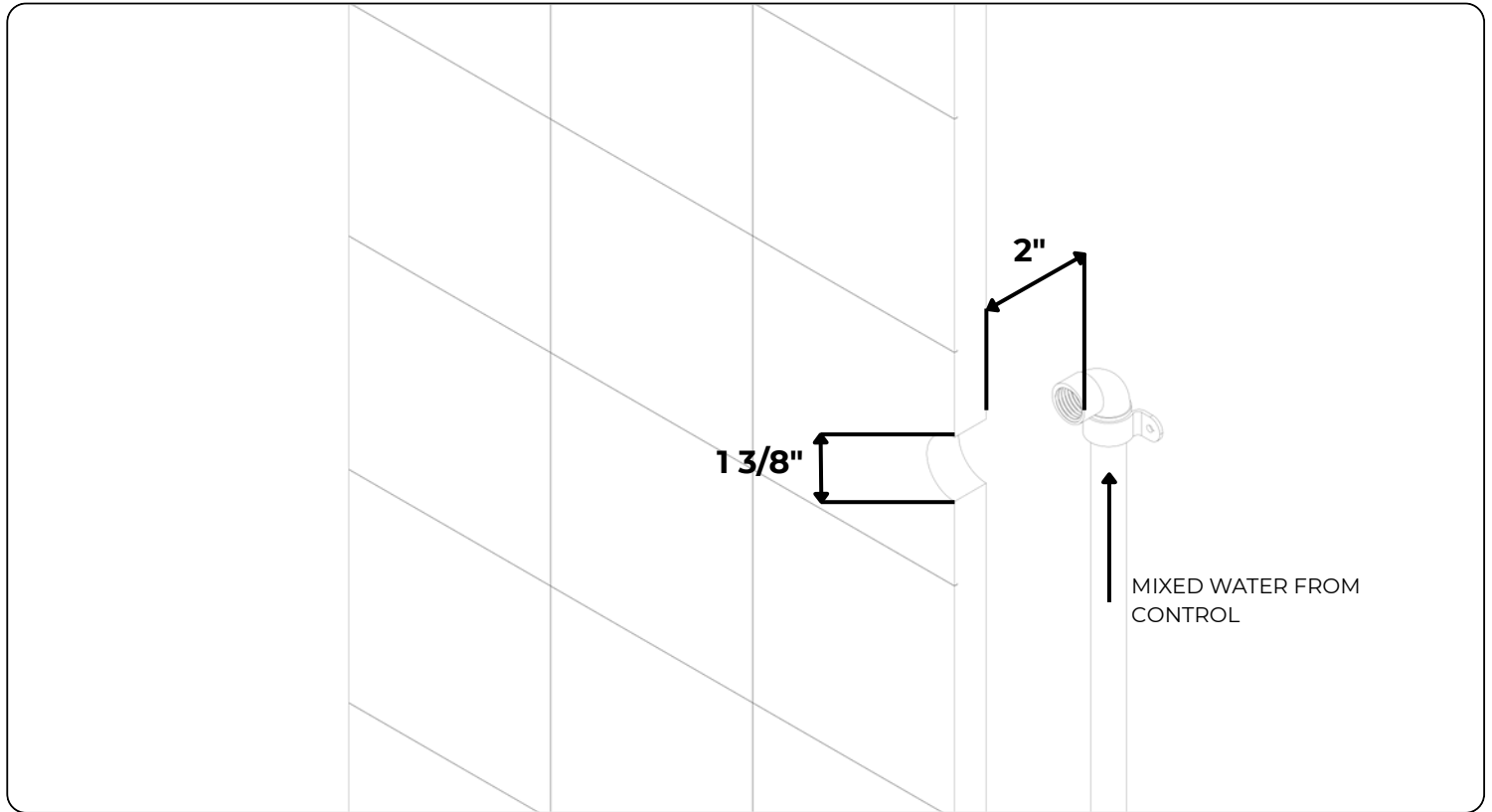
Round Wall Mounted Angled Shower Arm

artos®

PRODUCT DIMENSIONS



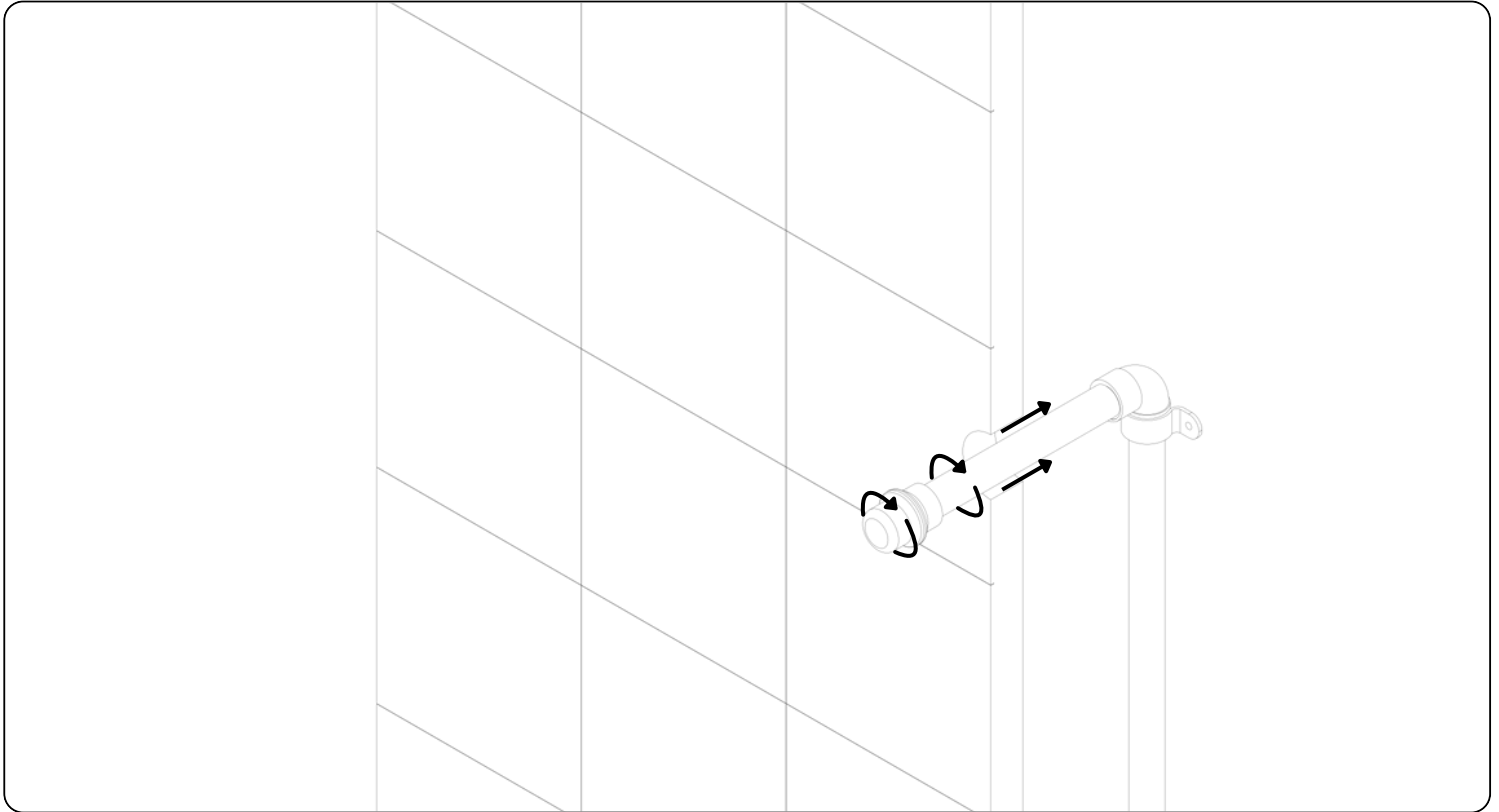
STEP 1



Behind the wall, route the mixed water supply line from the control valve to the desired height for the shower arm outlet. Install a $\frac{1}{2}$ " female threaded elbow fitting, positioning it so the open end faces outward perpendicular from wall faces. Ensure the outlet of the elbow is a maximum of 2 " from the inside surface of the finished wall to allow adequate space for threading the copper pipe or brass nipple.

Drill a horizontal opening, $1\frac{3}{8}$ " in diameter or smaller, through the finished wall. Ensure the hole is centered on the supply outlet to accommodate the shower arm connector fitting.

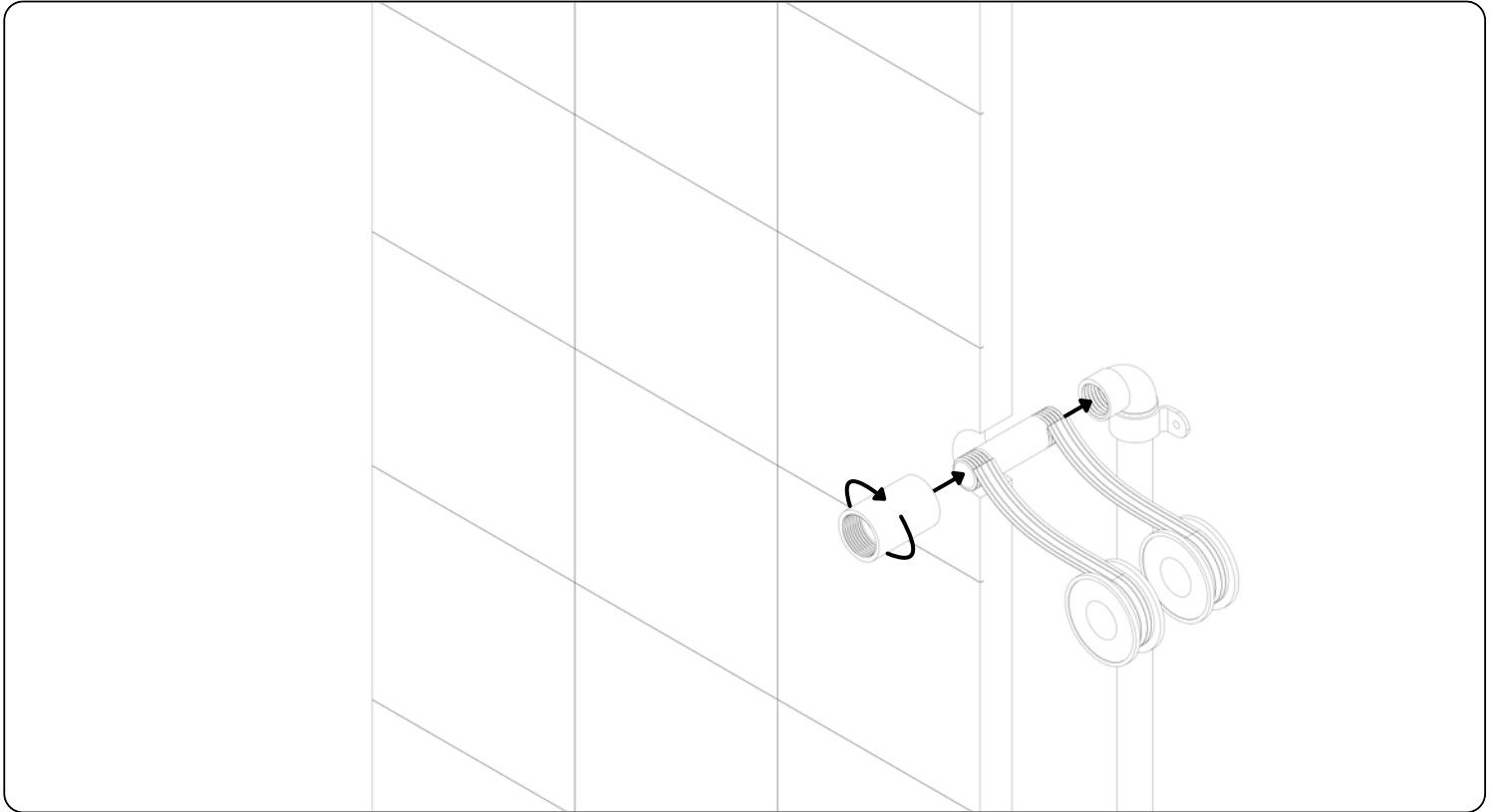
STEP 2



Insert a **temporary** copper stub pipe into the threaded elbow and cap the exposed end. This prevents debris, drywall compound, or tile adhesive from entering the fitting during wall finishing.

Once the wall surface is complete, remove the temporary pipe and cap.

STEP 3

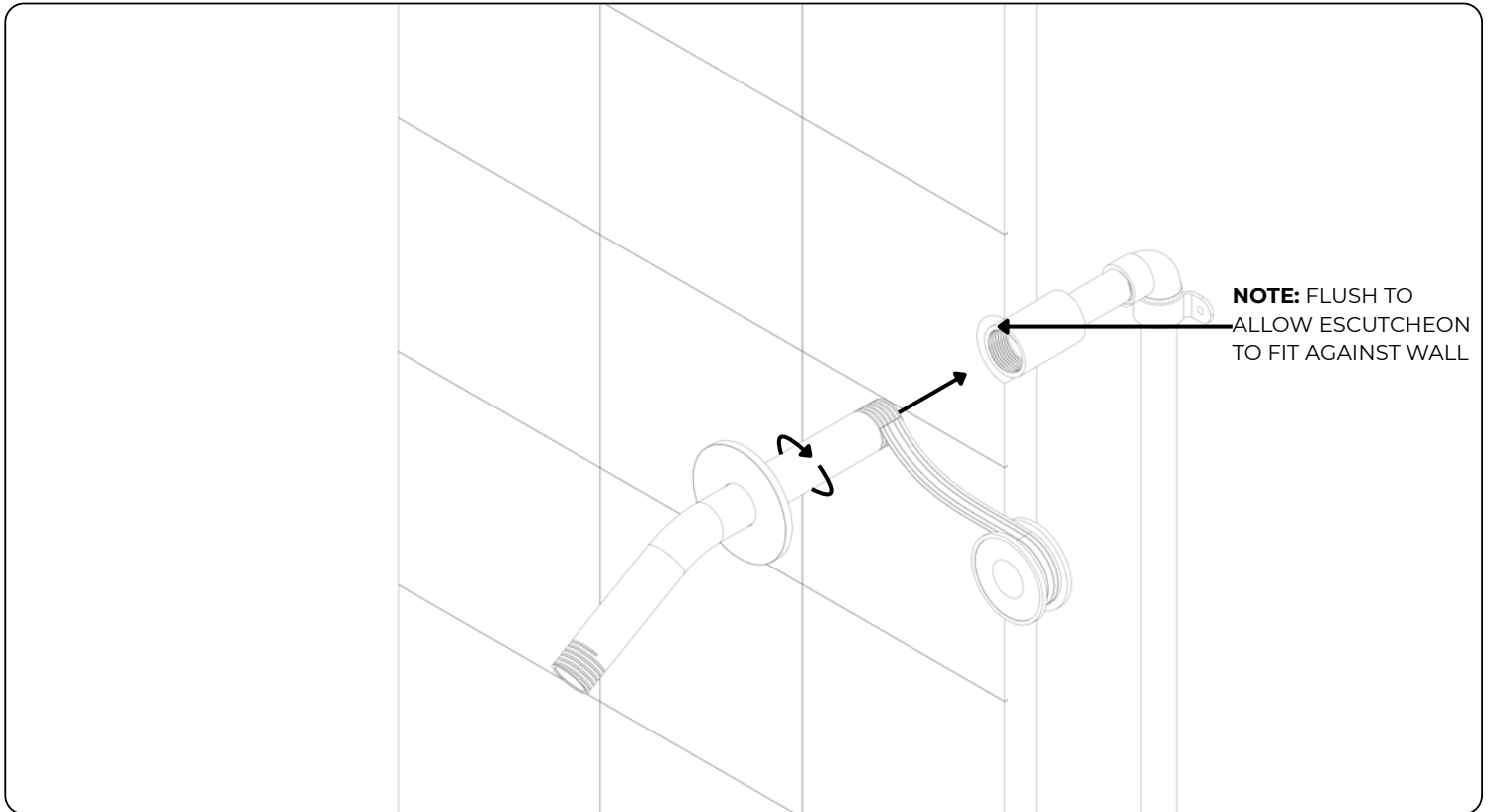


Depending on mounting of valve and positioning of lines either thread arm directly into elbow fitting or use extension and connector.

If using extension Insert a short section of copper pipe or brass nipple with male **1/2"** NPT threads on both ends into the threaded elbow. Apply plumber's tape (PTFE thread seal tape) to the male threads before installation to ensure a watertight connection. Thread one end of the pipe securely into the elbow fitting behind the wall. Attach a **1/2"** female NPT straight coupling connector to the exposed end of the pipe, applying plumber's tape to the threads. Adjust as needed so that the face of the female connector is flush with the finished wall surface to ensure the escutcheon seats properly during final installation.

Note: Verify that the connector is level and aligned perpendicular to the wall for proper shower arm installation.

STEP 4



Slide the round escutcheon onto the angled shower arm, with the finished side facing outward. Wrap plumber's tape around the male threads of the shower arm, wrapped 2-3 times to ensure tight fit. With the shower arm through the escutcheon and thread it into the wall connector by hand. Tighten until snug, ensuring the arm is oriented correctly and the escutcheon sits flush against the wall. If additional tightening is needed, use a rubber-jawed wrench to protect the finish.

Once installed, turn on the local water supply (if in a finished or closed state) and check for leaks at the wall connection.

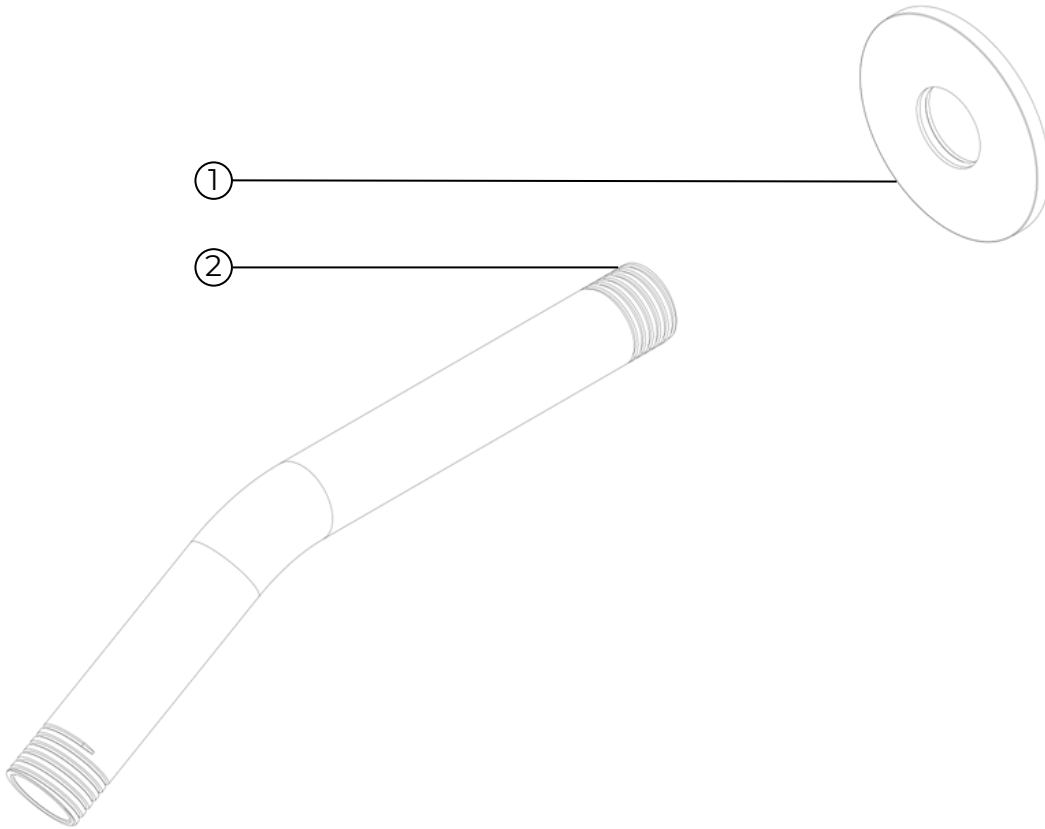
Note: A thin bead of silicone sealant may be applied around the outer edge of the escutcheon or where the connector fitting meets the wall to help prevent moisture from entering the wall cavity. Allow the sealant to cure according to the manufacturer's recommended drying time before using the shower.

F902-11

Round Wall Mounted Angled Shower Arm

artos®

PARTS BREAKDOWN



- ① SHOWER ARM ESCUTCHEON ROUND
- ② SHOWER ARM