

artos[®]

F901-8

INSTALLATION GUIDE

10" shower rainhead rnd

BRUSHED NICKEL(BN)



CHROME(CH)



BLACK (BK)



artos[®]

F901-8

OPERATING SPECIFICATIONS

10" shower rainhead rnd



FEATURES

Solid Brass

OPERATING PRESSURE

Minimum: 15 psi

Maximum: 75 psi

Above 90psi it may be necessary to install a pressure reducer

OPERATING TEMPERATURE

Maximum: 176°

FLOW RATE

1.8 USGPM

APPROVALS

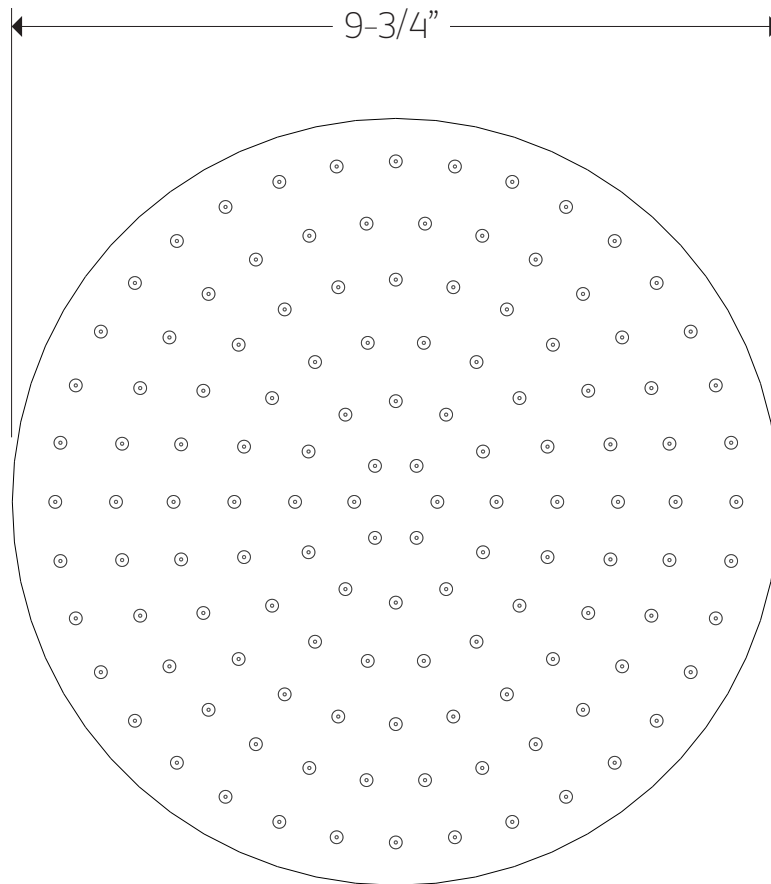
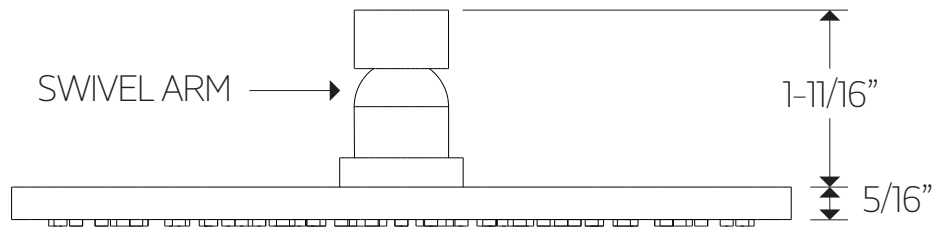


artos[®]

F901-8

PRODUCT DIMENSIONS

10" shower rainhead rnd



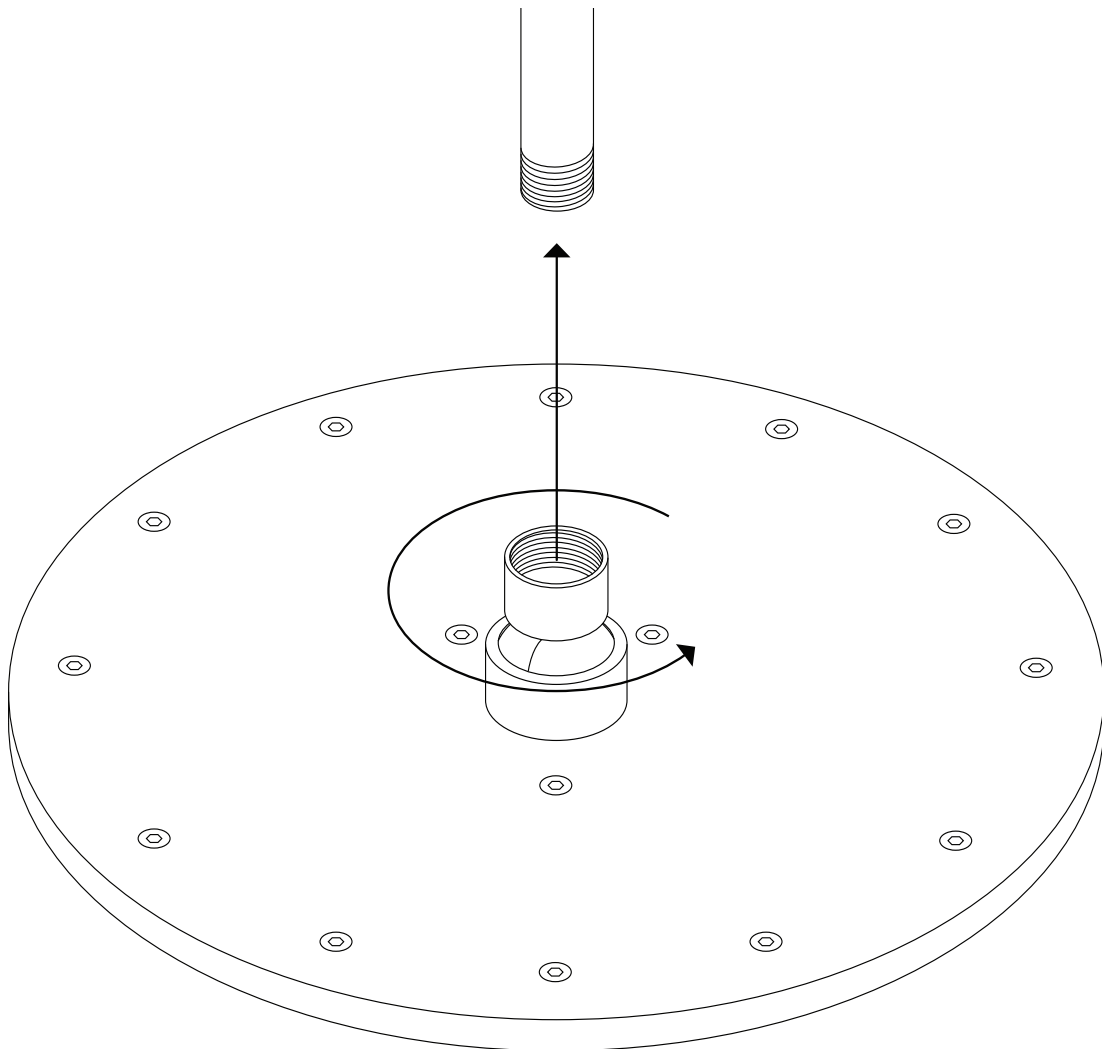
artos[®]

F901-8

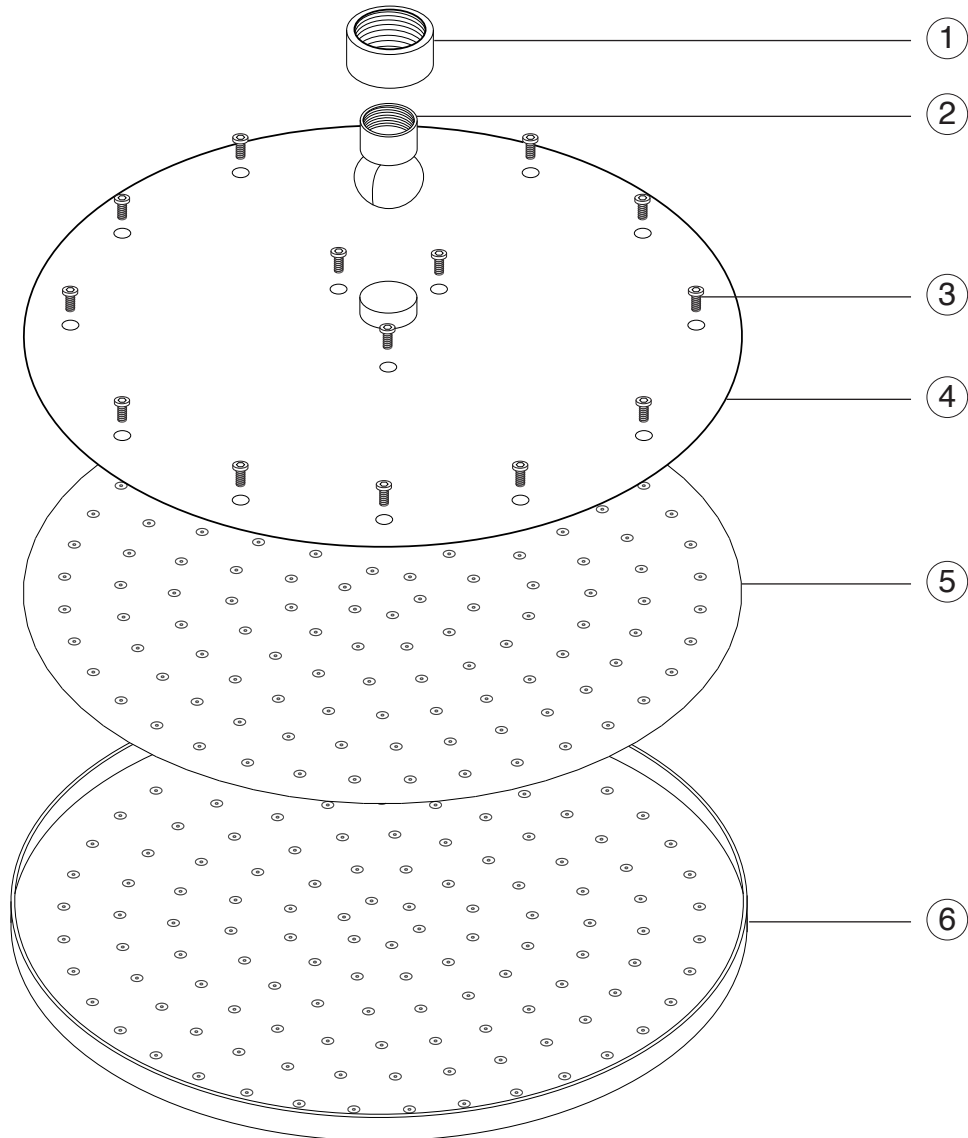
INSTALLATION STEPS

10" shower rainhead rnd

STEP 1



10" shower rainhead rnd



- ① SWIVEL ARM SECURING NUT
- ② SWIVEL ARM
- ③ SHOWER HEAD SCREWS
- ④ SHOWER HEAD TOP
- ⑤ RUBBER MATRIX
- ⑥ SHOWER HEAD BOTTOM