

# artos<sup>®</sup>

F901-6

**INSTALLATION GUIDE**

12" shower rainhead square

BRUSHED NICKEL (BN)



CHROME (CH)



BLACK (BK)



# artos<sup>®</sup>

F901-6

## OPERATING SPECIFICATIONS

12" shower rainhead square



### FEATURES

Solid Brass

### OPERATING PRESSURE

Minimum: 15 psi

Maximum: 75 psi

Above 90psi it may be necessary to install a pressure reducer

### OPERATING TEMPERATURE

Maximum: 176°

### FLOW RATE

1.8 USGPM

### APPROVALS

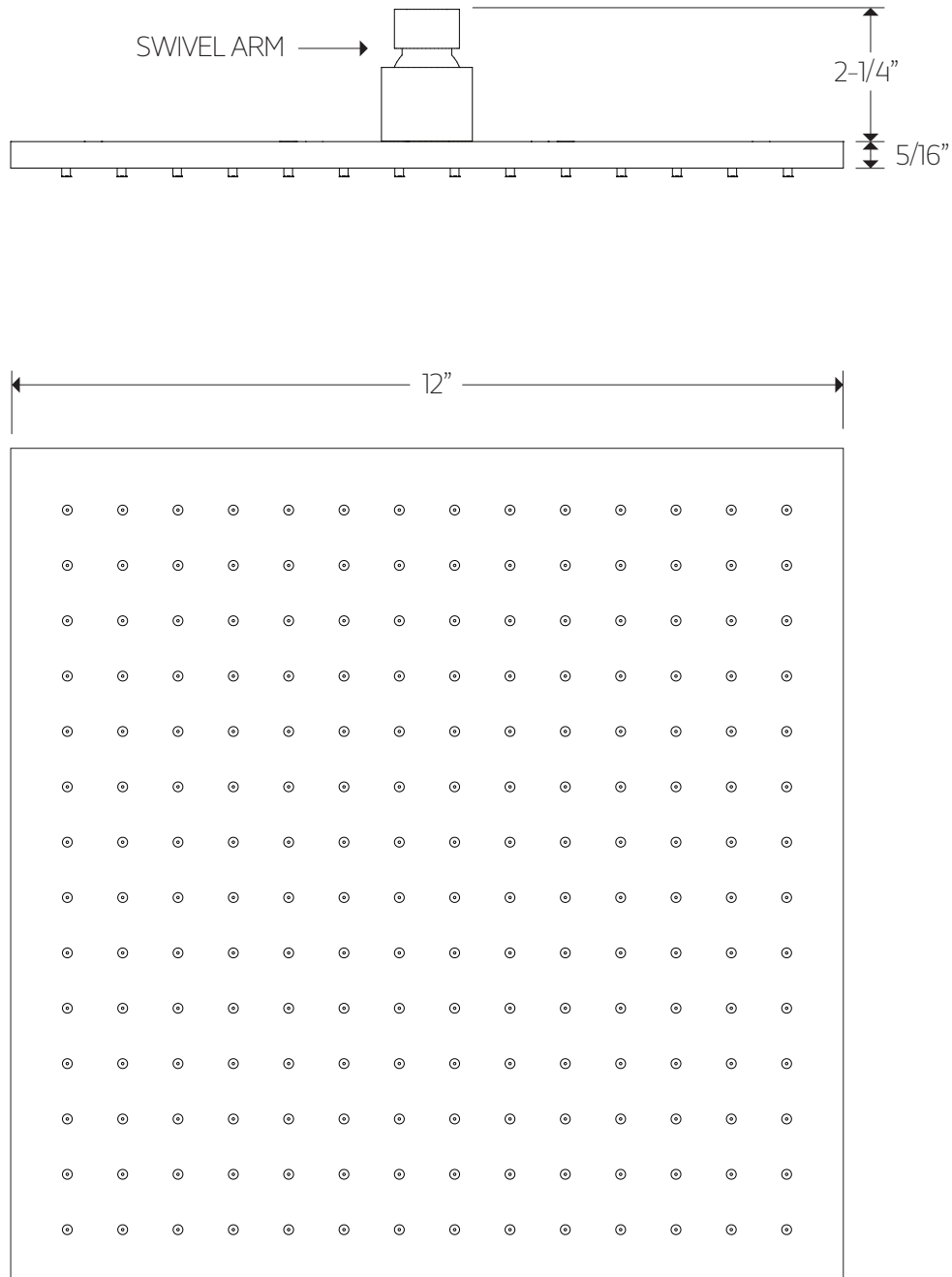


# artos<sup>®</sup>

F901-6

## PRODUCT DIMENSIONS

12" shower rainhead square



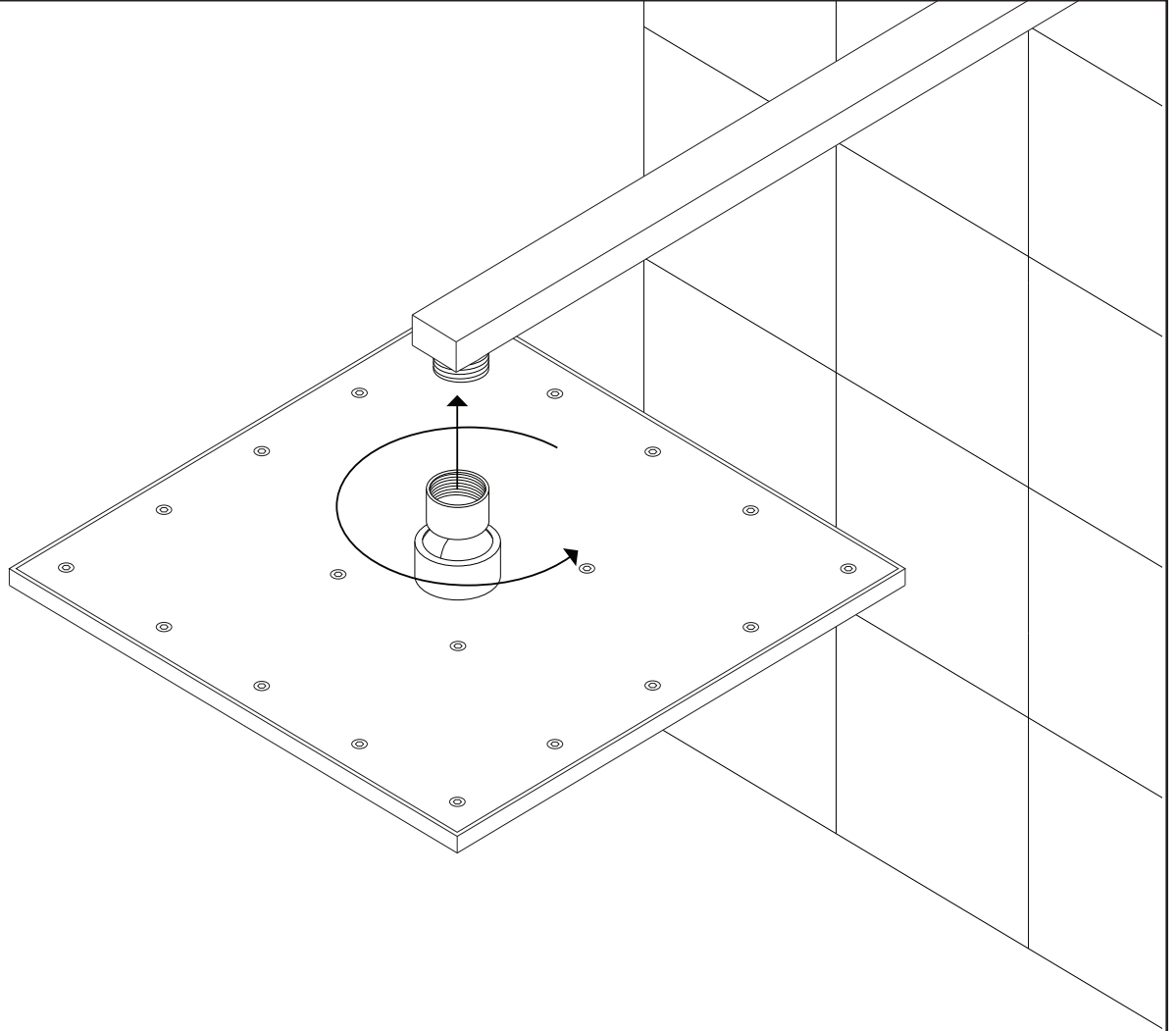
# artos<sup>®</sup>

F901-6

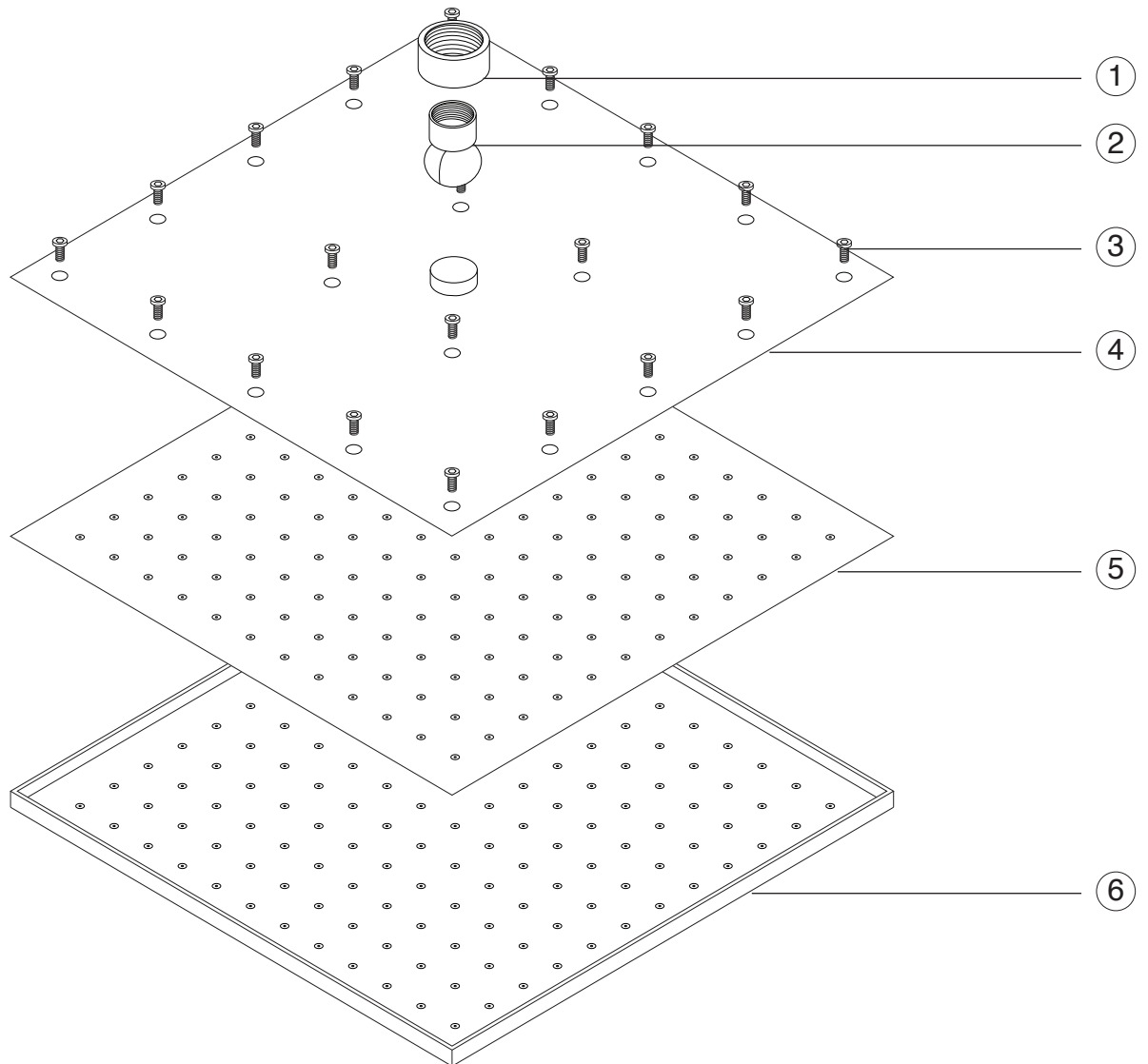
**INSTALLATION STEPS**

12" shower rainhead square

**STEP 1**



12" shower rainhead square



- ① SWIVEL ARM SECURING NUT
- ② SWIVEL ARM
- ③ SHOWER HEAD SCREWS
- ④ SHOWER HEAD TOP
- ⑤ RUBBER MATRIX SHOWER
- ⑥ HEAD BOTTOM