

artos[®]

F901-5

INSTALLATION GUIDE

8" shower rainhead square

BRUSHED NICKEL(BN)



CHROME(CH)



BLACK (BK)



artos[®]

F901-5

OPERATING SPECIFICATIONS

8" shower rainhead square

FEATURES

Solid Brass

OPERATING PRESSURE

Minimum: 15 psi

Maximum: 75 psi

Above 90psi it may be necessary to install a pressure reducer

OPERATING TEMPERATURE

Maximum: 176°

FLOW RATE

1.8 USGPM

APPROVALS

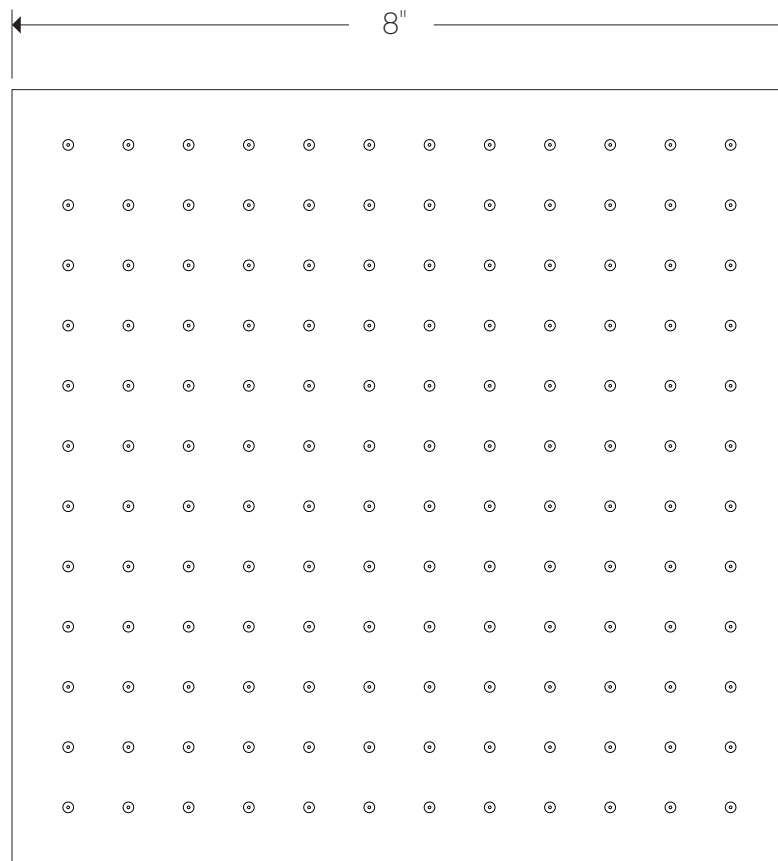
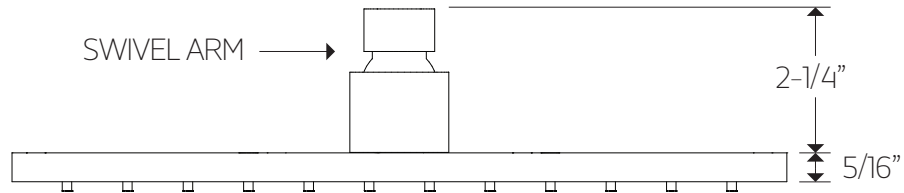


artos[®]

F901-5

PRODUCT DIMENSIONS

8" shower rainhead square



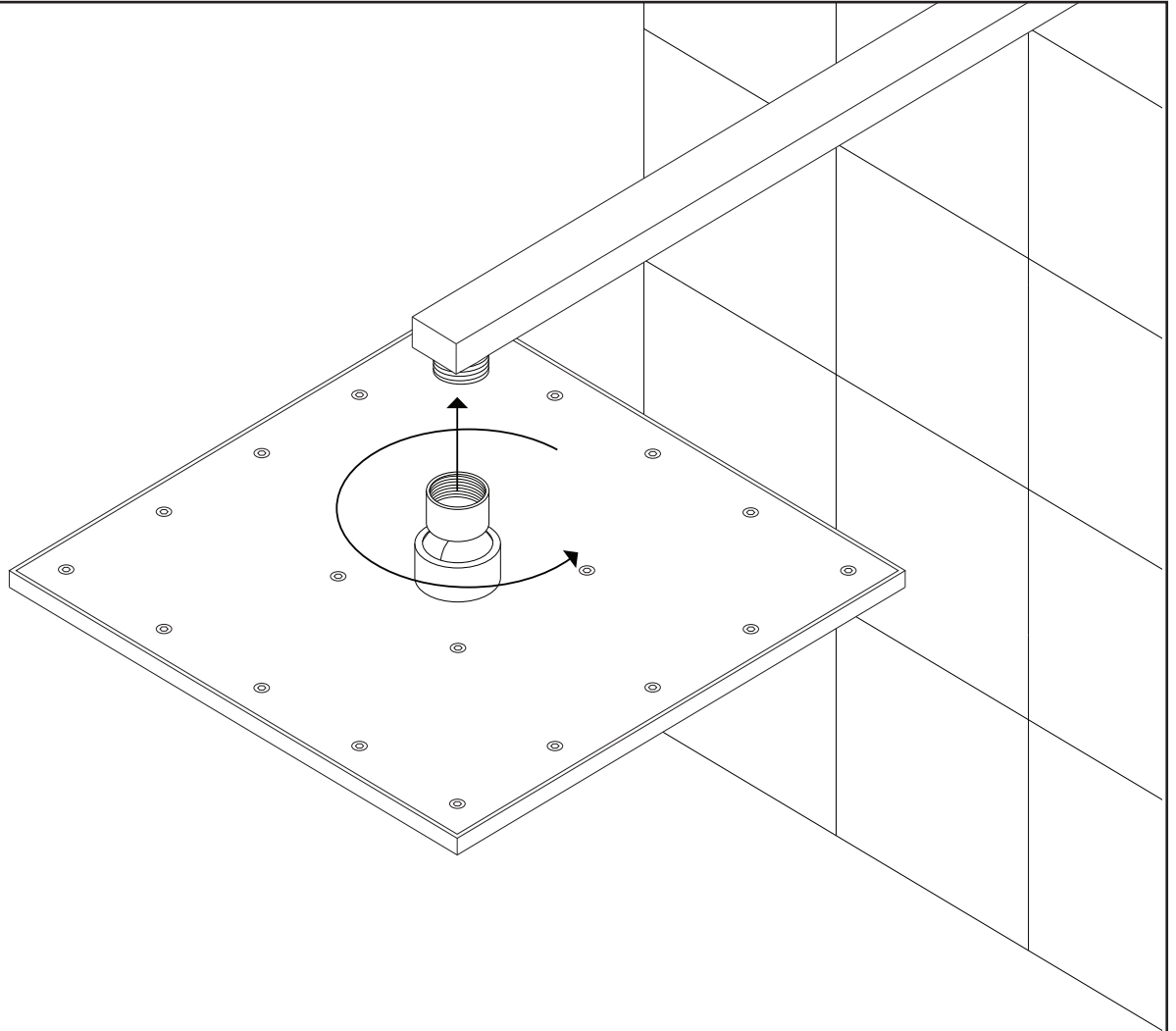
artos[®]

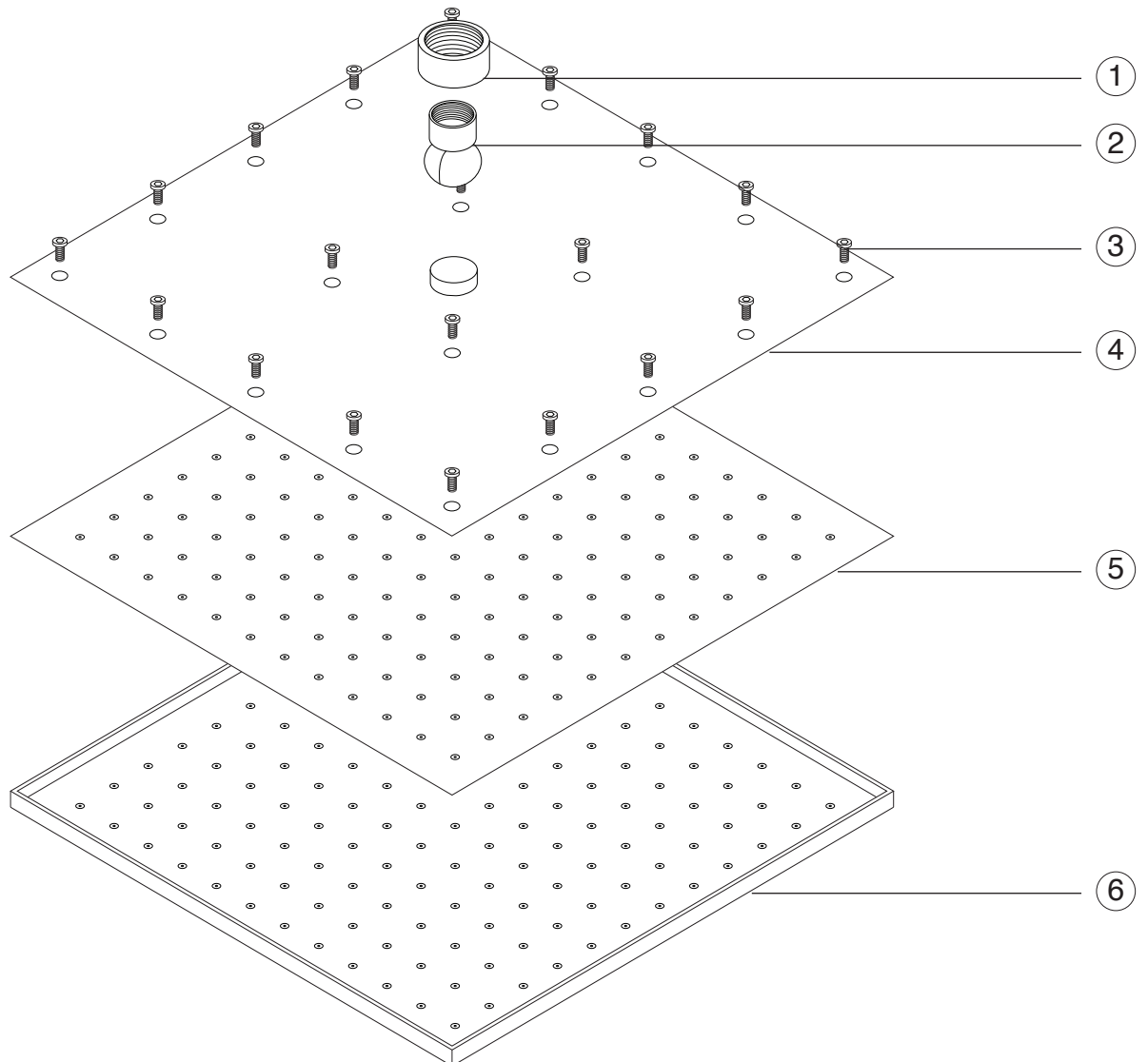
F901-5

INSTALLATION STEPS

8" shower rainhead square

STEP 1





- ① SWIVEL ARM SECURING NUT
- ② SWIVEL ARM
- ③ SHOWER HEAD SCREWS
- ④ SHOWER HEAD TOP
- ⑤ RUBBER MATRIX SHOWER
- ⑥ HEAD BOTTOM